



US00D898988S

(12) **United States Design Patent** (10) **Patent No.:** **US D898,988 S**
Levinson (45) **Date of Patent:** **** Oct. 13, 2020**

- (54) **ATOMIZER CIGAR**
- (71) Applicant: **LEVINSONVAPES, INCORPORATED**, Tarzana, CA (US)
- (72) Inventor: **Anthony Levinson**, Tarzana, CA (US)
- (73) Assignee: **LEVINSONVAPES, INCORPORATED**, Tarzana, CA (US)
- (**) Term: **15 Years**
- (21) Appl. No.: **29/689,161**
- (22) Filed: **Apr. 26, 2019**

- D652,987 S * 1/2012 Kaljura D27/101
- D653,390 S * 1/2012 Kaljura D27/101
- D653,802 S * 2/2012 Kaljura D27/101
- D655,753 S * 3/2012 Han D19/117
- D662,257 S * 6/2012 Alelov D27/101
- D668,291 S * 10/2012 Chen D19/163
- D669,122 S * 10/2012 Liu D19/163
- D678,943 S * 3/2013 Jiang D19/167
- D679,325 S * 4/2013 Liang D19/167
- D684,311 S * 6/2013 Liu D27/101
- D685,426 S * 7/2013 Liu D19/169

(Continued)

Related U.S. Application Data

- (63) Continuation-in-part of application No. 29/627,909, filed on Nov. 30, 2017, now abandoned, which is a continuation-in-part of application No. 29/598,548, filed on Mar. 27, 2017, now Pat. No. Des. 814,103.
- (51) **LOC (12) Cl.** **27-01**
- (52) **U.S. Cl.**
USPC **D27/101**
- (58) **Field of Classification Search**
USPC D27/100, 101, 139-194; D23/202;
D13/118, 119; D19/115, 116, 162, 163,
D19/164; D7/300; D9/444, 445
CPC A24F 47/008; A24F 47/002; A24F 15/18;
A24F 47/00
See application file for complete search history.

References Cited

U.S. PATENT DOCUMENTS

- 4,331,166 A * 5/1982 Hale A24D 1/00
131/331
- D440,708 S * 4/2001 Harel D27/159
- D590,991 S * 4/2009 Hon D27/101
- D614,346 S * 4/2010 Lik D27/101
- D624,693 S * 9/2010 Mercado D27/101
- D645,816 S * 9/2011 Sasada D13/108

OTHER PUBLICATIONS

Cigar Review: Disposable Electronic Cigars by the cigarstore. dated Sep. 12, 2013. found online [Oct. 29, 2018] <https://www.thecigarstore.com/blog/review-disposable-electronic-cigars/>.*

(Continued)

Primary Examiner — Marissa J Cash
(74) *Attorney, Agent, or Firm* — Hankin Patent Law, APC; Kevin Schraven; Anooj Patel

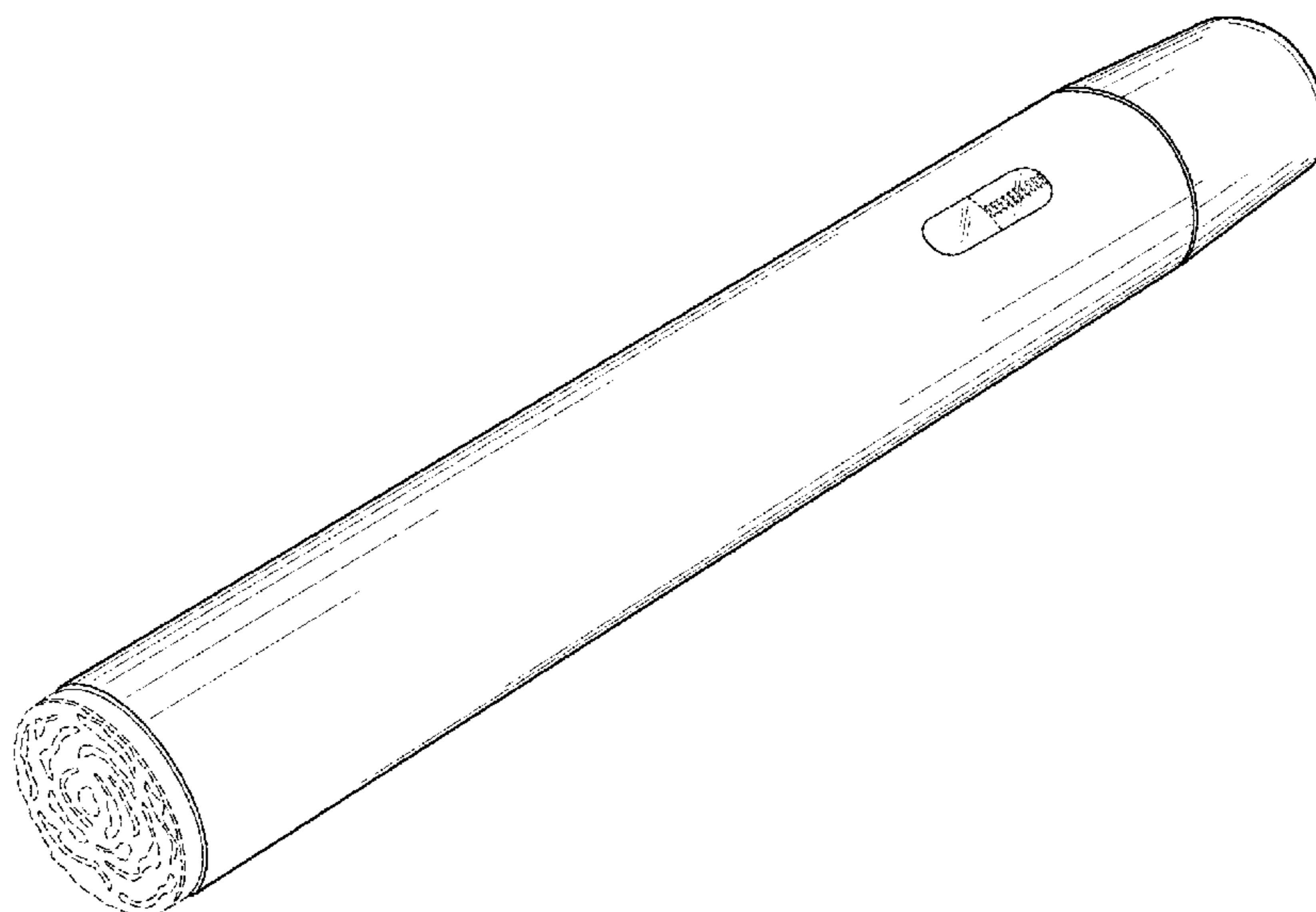
(57) **CLAIM**

The ornamental design for an atomizer cigar, as shown and described.

DESCRIPTION

FIG. 1 is a top perspective view of an atomizer cigar, showing my new design.
FIG. 2 is a bottom perspective view thereof.
FIG. 3 is a side elevational view thereof.
FIG. 4 is a side elevational view thereof.
FIG. 5 is a front elevational view thereof.
FIG. 6 is a back elevational view thereof.
FIG. 7 is a top plan view thereof; and,
FIG. 8 is a bottom plan view thereof.
The broken lines in the drawings depict portions of the atomizer cigar that form no part of the claimed design.

1 Claim, 8 Drawing Sheets



(56)

References Cited

U.S. PATENT DOCUMENTS

D685,522	S *	7/2013	Potter	D27/101	D821,028	S *	6/2018	Tucker	D27/101
D688,303	S *	8/2013	Jiang	D19/163	9,986,769	B1 *	6/2018	Liu	A24F 47/008
D691,324	S *	10/2013	Saliman	D27/101	D822,271	S *	7/2018	Eksouzian	D27/101
D692,613	S *	10/2013	Morreale	D27/170	D825,835	S *	8/2018	Verleur	D27/101
D695,449	S *	12/2013	Tucker	D27/101	D825,838	S *	8/2018	Abroff	D27/101
D695,829	S *	12/2013	Hern	D19/168	D834,743	S *	11/2018	Tucker	D27/101
D704,066	S *	5/2014	de Lima Paschoal	D28/76	10,159,278	B2 *	12/2018	Minskoff	A24F 47/008
D725,821	S *	3/2015	Levin	D27/101	D843,648	S *	3/2019	Santos	D27/162
D725,822	S *	3/2015	Liu	D27/101	D844,222	S *	3/2019	Yamada	D27/101
D727,564	S *	4/2015	LaForge	D27/101	D850,712	S *	6/2019	Fornarelli	D27/162
D728,154	S *	4/2015	Lavanchy	D27/100	D855,879	S *	8/2019	Sudlow	D27/172
D729,439	S *	5/2015	Scatterday	D27/101	D857,983	S *	8/2019	Bramley	D27/101
D732,239	S *	6/2015	Chen	D27/101	D861,976	S *	10/2019	Sudlow	D27/167
D739,597	S *	9/2015	Lavanchy	D27/100	D861,979	S *	10/2019	Sibley	D27/183
D739,598	S *	9/2015	Lavanchy	D27/100	D862,793	S *	10/2019	Chang	D27/162
D750,834	S *	3/2016	Wei	D27/101	10,440,992	B2 *	10/2019	Sur	A61M 15/06
D750,835	S *	3/2016	Wei	D27/101	10,440,993	B2 *	10/2019	Minskoff	H05B 1/0244
D753,874	S *	4/2016	Moreno Medina	D27/101	10,455,860	B2 *	10/2019	Lin	A24F 7/00
D755,440	S *	5/2016	Collen	D27/163	D866,061	S *	11/2019	Lalehzadeh	D27/162
D756,031	S *	5/2016	Wu	D27/101	D870,366	S *	12/2019	Lavanchy	D27/101
D757,353	S *	5/2016	Nunnally	D27/101	D870,375	S *	12/2019	Patil	D27/194
D758,650	S *	6/2016	Wu	D27/101	D871,662	S *	12/2019	Volodarsky	D27/101
D758,651	S *	6/2016	Wu	D27/101	D871,665	S *	12/2019	Choe	D27/162
D759,296	S *	6/2016	Abroff	D27/101	10,518,243	B2 *	12/2019	MacKo	A24F 47/008
D760,947	S *	7/2016	Hearn	D27/101	10,524,508	B2 *	1/2020	Sur	H02J 50/12
D760,948	S *	7/2016	Eksouzian	D27/101	10,524,509	B2 *	1/2020	Sur	A24F 40/50
D762,001	S *	7/2016	Liu	D27/101	2010/0031968	A1 *	2/2010	Sheikh	A24F 47/008 131/347
D763,501	S *	8/2016	McGarry	D27/101	2010/0083959	A1 *	4/2010	Siller	A24F 47/006 128/202.21
D764,098	S *	8/2016	Liu	D27/101	2011/0036346	A1 *	2/2011	Cohen	A61M 15/0065 128/200.14
9,427,023	B2 *	8/2016	Liu	A24F 47/008	2012/0318283	A1 *	12/2012	Watanabe	A24F 47/002 131/191
D768,915	S *	10/2016	Wright	D27/101	2013/0284191	A1 *	10/2013	Scatterday	A61M 15/06 131/329
D770,087	S *	10/2016	Di Bari	D27/101	2013/0284194	A1 *	10/2013	Newton	A24F 47/008 131/329
D770,677	S *	11/2016	Van Keppel	D27/141	2013/0298905	A1 *	11/2013	Levin	A24F 47/008 128/202.21
9,497,999	B2 *	11/2016	Lord	A24F 47/008	2014/0116455	A1 *	5/2014	Youn	A24F 47/008 131/329
D773,727	S *	12/2016	Eksouzian	D27/101	2014/0261494	A1 *	9/2014	Scatterday	A24F 47/008 131/329
D776,337	S *	1/2017	Levin	D27/101	2014/0283859	A1 *	9/2014	Minskoff	A24F 47/008 131/329
D782,729	S *	3/2017	Wright	D27/101	2015/0000682	A1 *	1/2015	Liu	A24F 47/008 131/329
D784,609	S *	4/2017	Liu	D27/101	2015/0027467	A1 *	1/2015	Liu	A24F 47/008 131/329
D789,452	S *	6/2017	Matsumura	D19/163	2015/0114406	A1 *	4/2015	Newton	A24F 47/002 131/329
D792,021	S *	7/2017	Beer	D27/101	2015/0114408	A1 *	4/2015	Lord	A24F 47/008 131/329
D795,496	S *	8/2017	Beer	D27/101	2015/0136153	A1 *	5/2015	Lord	A24F 47/008 131/328
D796,112	S *	8/2017	Lafferty	D27/101	2015/0136155	A1 *	5/2015	Verleur	A24F 47/008 131/328
D797,369	S *	9/2017	Yamada	D27/101	2015/0150307	A1 *	6/2015	Liu	H05B 1/0244 131/329
D799,112	S *	10/2017	Qiu	D27/101	2015/0164141	A1 *	6/2015	Newton	A24F 47/008 131/329
D801,580	S *	10/2017	Barrantes	D27/189	2015/0164142	A1 *	6/2015	Li	F22B 1/288 131/329
9,781,953	B2 *	10/2017	Verleur	A24F 47/008	2015/0196055	A1 *	7/2015	Liu	A24F 47/008 131/329
D803,475	S *	11/2017	Scheiber	D27/101	2015/0196057	A1 *	7/2015	Wu	A42F 47/008 131/329
D804,090	S *	11/2017	Verleur	D27/101	2015/0196058	A1 *	7/2015	Lord	A24F 47/008 131/329
D804,091	S *	11/2017	Fornarelli	D27/101	2015/0196059	A1 *	7/2015	Liu	A24F 47/008 131/329
D804,719	S *	12/2017	Hamilton, Sr.	D27/165	2015/0216232	A1 *	8/2015	Bless	A24F 47/008 131/328
D805,246	S *	12/2017	Fakhouri	D27/101	2015/0320114	A1 *	11/2015	Wu	A24F 47/002 131/329
D805,248	S *	12/2017	Chen	D27/170					
D805,684	S *	12/2017	Thuery	D27/101					
D806,310	S *	12/2017	McGarry	D27/101					
D806,942	S *	1/2018	Qiu	D27/101					
D807,578	S *	1/2018	Barkowski	D27/170					
D808,580	S *	1/2018	Kwitel	D27/101					
D809,190	S *	1/2018	Schuler	D27/101					
9,861,135	B2 *	1/2018	Chen	H05B 3/06					
D809,705	S *	2/2018	Mironov	D27/101					
D810,355	S *	2/2018	Liu	D27/101					
D812,807	S *	3/2018	Thuery	D27/101					
D813,445	S *	3/2018	Scott	D27/101					
D813,446	S *	3/2018	Moor	D27/101					
D814,102	S *	3/2018	Lehoux	D27/101					
D814,103	S *	3/2018	Levinson	D27/101					
9,924,744	B2 *	3/2018	Lin	A24F 47/00					
D815,339	S *	4/2018	Wallace	D27/101					
D815,342	S *	4/2018	Sutton	D27/169					
D816,266	S *	4/2018	Thuery	D27/101					
D819,264	S *	5/2018	Mykhaylovych	D27/101					
9,963,260	B2 *	5/2018	Cadieux	A24F 47/008					
9,980,513	B2 *	5/2018	Chen	A24F 47/008					
9,980,522	B1 *	5/2018	Heidl	A24F 47/008					
9,985,455	B2 *	5/2018	Alarcon	H02J 7/007					

(56)

References Cited

U.S. PATENT DOCUMENTS

2015/0374036 A1* 12/2015 Suzuki A24F 47/008
 131/329
 2016/0007650 A1* 1/2016 Duncan A24F 47/004
 131/328
 2016/0143362 A1* 5/2016 Boldrini A24F 47/008
 29/611
 2016/0286865 A1* 10/2016 King A24F 47/008
 2017/0027223 A1* 2/2017 Eksouzian A24F 47/008
 2017/0127722 A1* 5/2017 Davis H05B 6/108
 2018/0140011 A1* 5/2018 Sur A24F 47/008
 2018/0140013 A1* 5/2018 Sur A24F 47/008
 2018/0140015 A1* 5/2018 Carroll A24F 47/008
 2018/0160727 A1* 6/2018 Bauer A24F 47/00

OTHER PUBLICATIONS

Review of the ROK Stogie Electronic Cigar—youtube by igetcha69.
 dated Jul. 12, 2013. found online [Aug. 8, 2018] <https://www.youtube.com/watch?v=jOnVoYGzLvM>.*

Evoke E-cigar Review by E-cigar Reviews. dated Jul. 22, 2015.
 found online [Aug. 8, 2018] <http://bestecigar.com/evoke-e-cigar-review/>.*

Libre Leon Electronic Cigar by Dodgevapor dated Oct. 23, 2016.
 found online [Oct. 29, 2018] <https://dodgevaus.wordpress.com/>.*

* cited by examiner

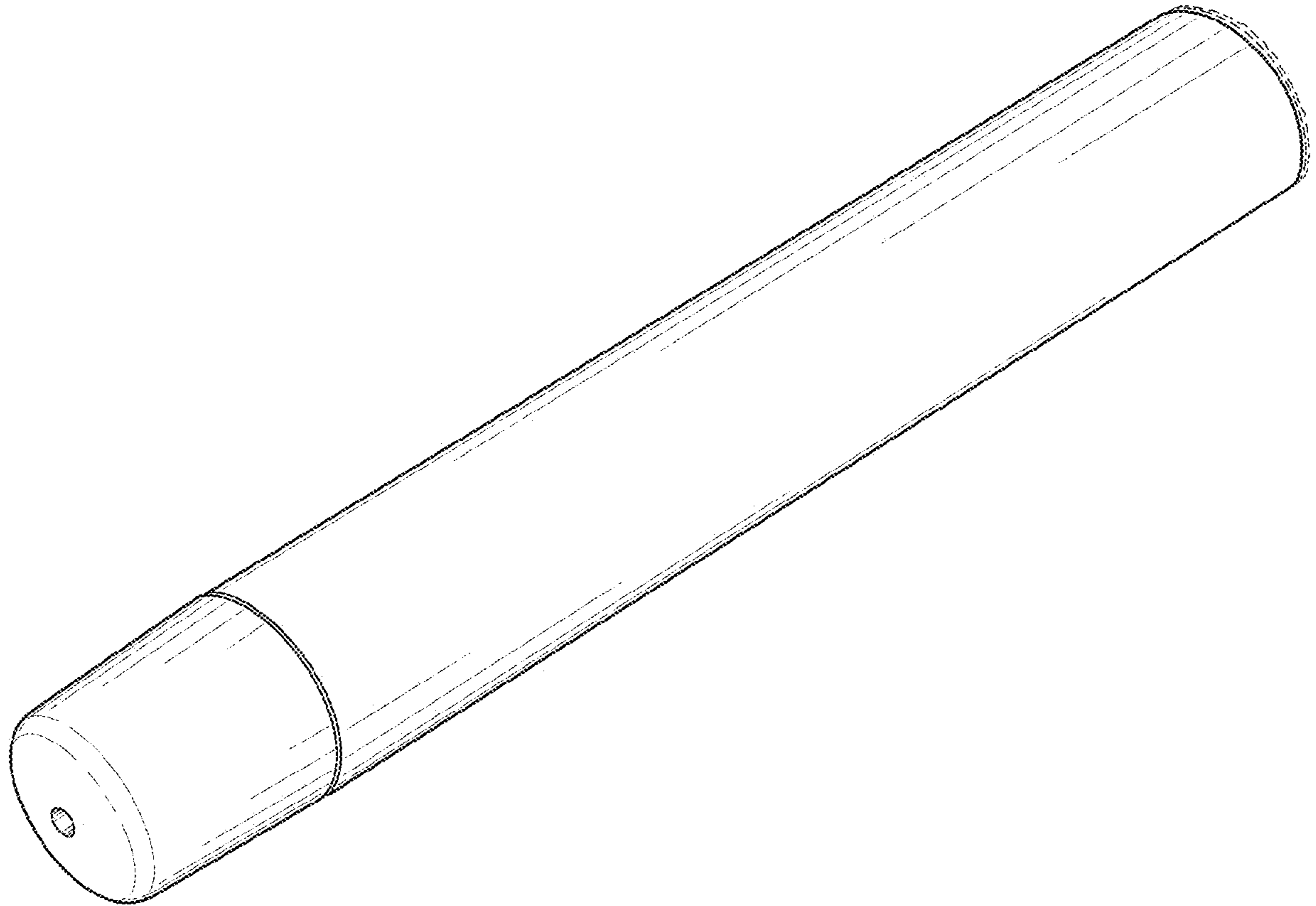


Fig. 1

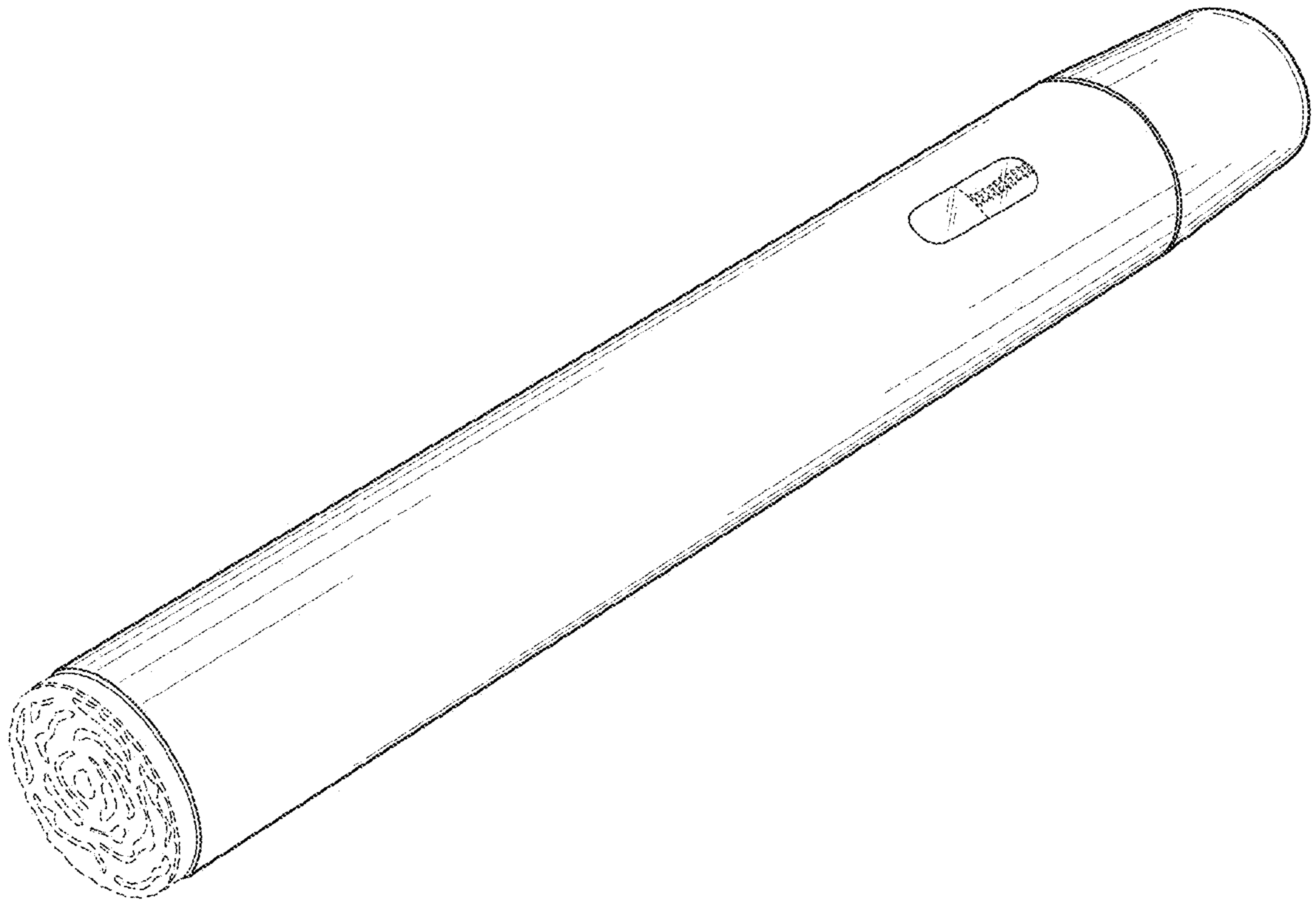


Fig.2

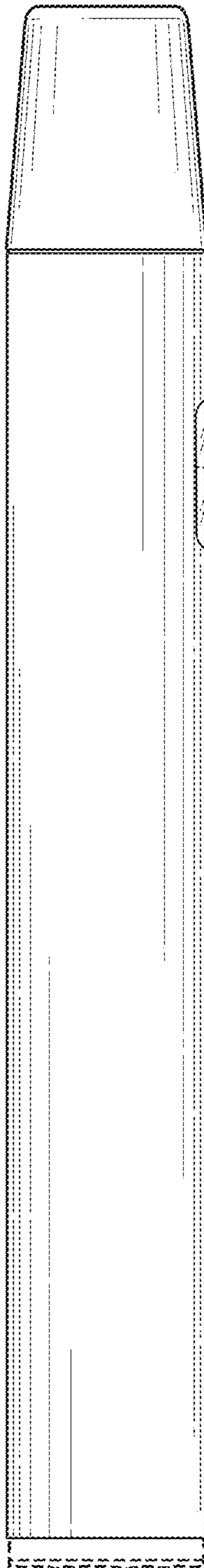


Fig.3

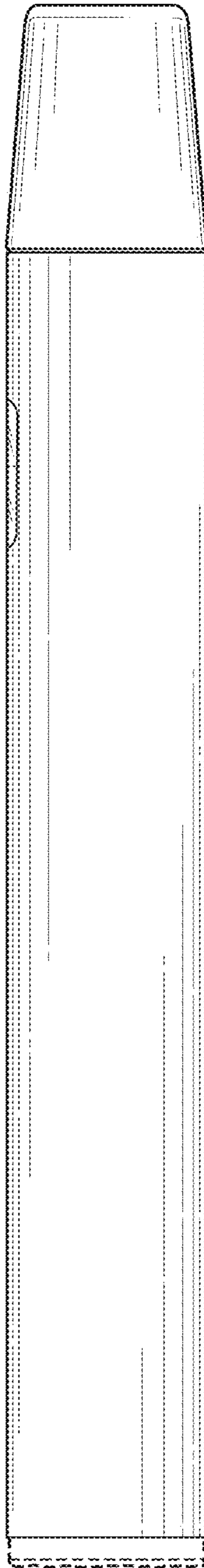


Fig.4

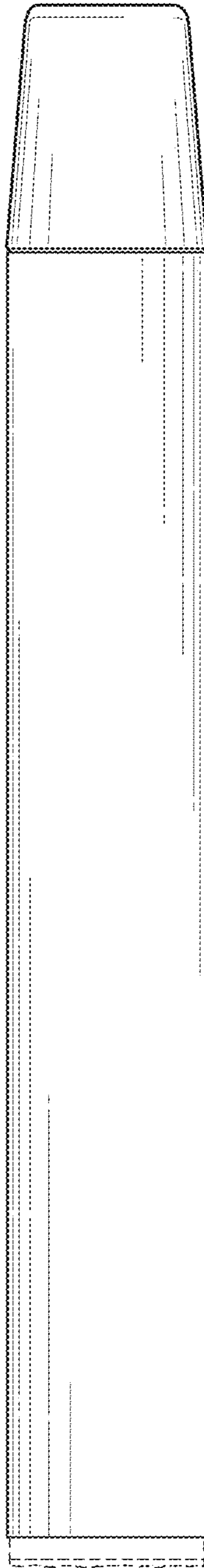


Fig.5

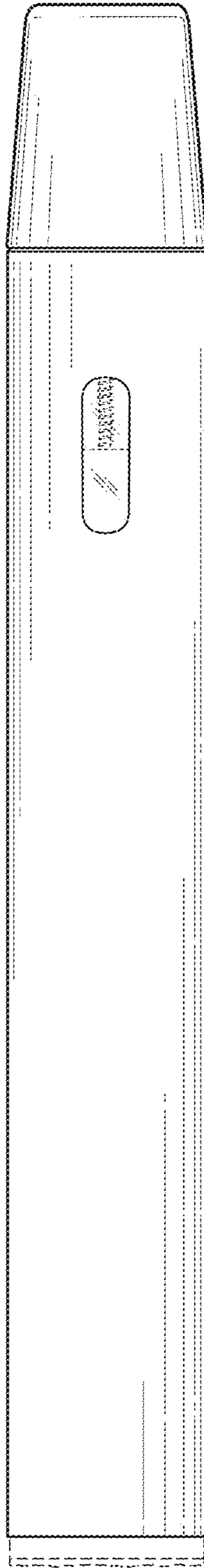


Fig.6

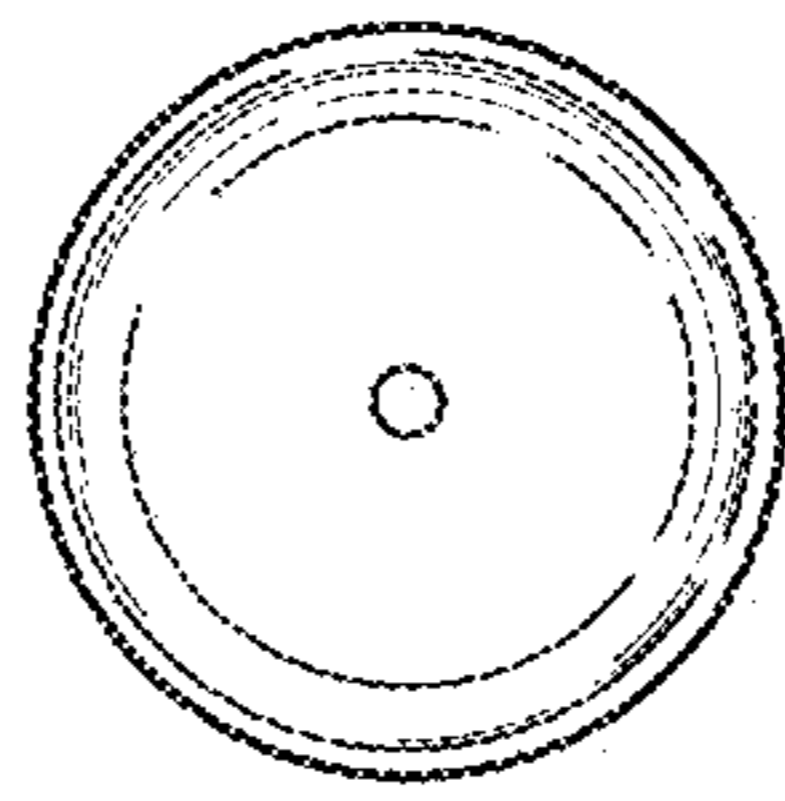


Fig. 7



Fig.8