



US00D898987S

(12) **United States Design Patent** (10) **Patent No.:** **US D898,987 S**
Bennett et al. (45) **Date of Patent:** **** Oct. 13, 2020**

(54) **VEHICLE LIGHT GUARD**

FOREIGN PATENT DOCUMENTS

(71) Applicant: **OMIX-ADA, INC.**, Ann Arbor, MI (US)

CN 205227216 U 5/2016
CN 205239299 U 5/2016

(72) Inventors: **Patrick W. Bennett**, Gainesville, GA (US); **Eric Lance Russell**, Lilburn, GA (US)

OTHER PUBLICATIONS

<https://ruggedridge.com/elite-tail-light-guards-black-07-17-jeep-wrangler-jk-11226-05.html>, accessed Oct. 3, 2019.

(73) Assignee: **OMIX-ADA, INC.**, Ann Arbor, MI (US)

(Continued)

(**) Term: **15 Years**

Primary Examiner — Marcus A Jackson

(74) *Attorney, Agent, or Firm* — The Dobrusin Law Firm, P.C.

(21) Appl. No.: **29/711,140**

(57) **CLAIM**

The ornamental design for a vehicle light guard, as shown and described.

(22) Filed: **Oct. 29, 2019**

(51) **LOC (12) Cl.** **26-99**

(52) **U.S. Cl.**
USPC **D26/139**

DESCRIPTION

(58) **Field of Classification Search**
USPC D26/28–36, 139
CPC F21S 48/00; F21S 48/10; F21S 48/115;
F21S 48/225; F21S 48/1233; F21S 48/1266; F21S 48/1388; F21S 48/2268;
F21V 21/04; F21V 29/004; B60Q 9/13;
B60Q 9/135; B60Q 9/1375
See application file for complete search history.

FIG. 1 is a left side perspective view of the vehicle light guard.
FIG. 2 is right side perspective view of FIG. 1.
FIG. 3 is a front view of FIG. 1.
FIG. 4 is a back view of FIG. 1.
FIG. 5 is a top view of FIG. 1.
FIG. 6 is a bottom view of FIG. 1.
FIG. 7 is a left side view of FIG. 1.
FIG. 8 is a right side view of FIG. 1.
FIG. 9 is a right side elevational view of a vehicle light guard showing our new design;
FIG. 10 is right side perspective view of FIG. 9.
FIG. 11 is a front view of FIG. 9.
FIG. 12 is a back view of FIG. 9.
FIG. 13 is a top view of FIG. 9.
FIG. 14 is a bottom view of FIG. 9.
FIG. 15 is a left side view of FIG. 9; and,
FIG. 16 is a right side view of FIG. 9.
The broken lines are used to show unclaimed portions of the vehicle light guard and form no part of the claimed design.

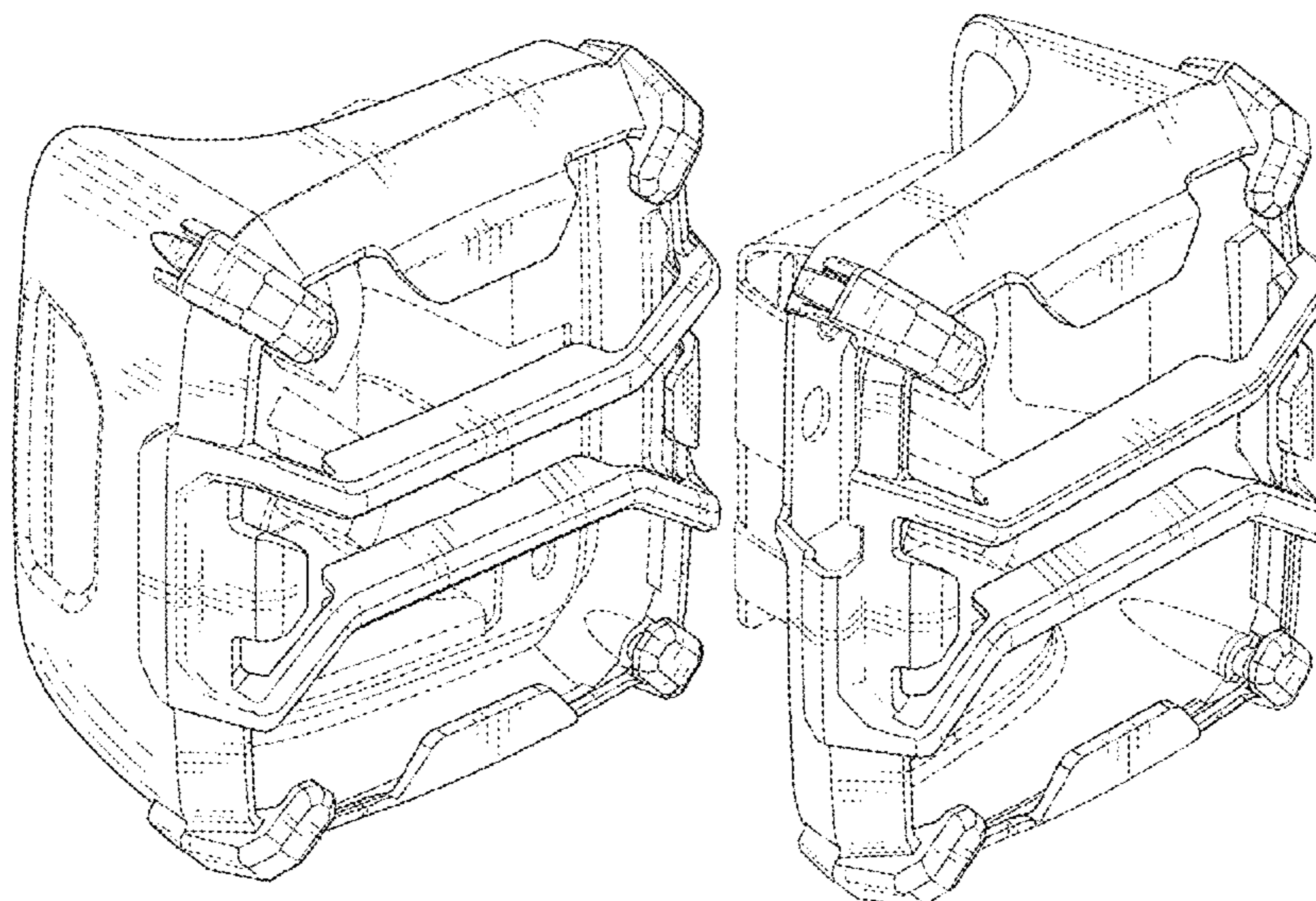
(56) **References Cited**

U.S. PATENT DOCUMENTS

D75,985 S	8/1928	Rockhill
D178,895 S	10/1956	McKnight
3,514,589 A	5/1970	Huber
3,818,211 A	6/1974	Wilfert et al.
4,153,928 A	5/1979	Speedy
D282,687 S	2/1986	McMahon
D288,008 S	1/1987	McMahon
D288,137 S	2/1987	Hirano
D289,087 S	3/1987	Kobata

(Continued)

1 Claim, 14 Drawing Sheets



(56)

References Cited

U.S. PATENT DOCUMENTS

4,807,094 A 2/1989 Mateos et al.
 D302,335 S * 7/1989 Smith D26/139
 4,994,942 A 2/1991 Georgeff
 D316,460 S 4/1991 Neece
 D316,461 S 4/1991 Mcglothlin
 5,205,633 A 4/1993 Kasboske
 D355,039 S 1/1995 Winick
 D364,704 S 11/1995 Alger
 5,482,336 A 1/1996 Rouse et al.
 D387,469 S 12/1997 Saleen
 D387,471 S 12/1997 Alger
 D390,821 S 2/1998 Thorne et al.
 5,876,003 A 3/1999 Waagenaar
 D412,214 S 7/1999 Hejtmanek
 D421,817 S * 3/2000 Tucker D26/139
 D425,240 S 5/2000 Goeckeritz
 D427,363 S 6/2000 Sacco et al.
 D432,064 S 10/2000 Hartog
 D472,004 S 3/2003 Pfeiffer et al.
 D485,935 S 1/2004 Tsai
 D485,936 S 1/2004 Tsai
 D487,531 S 3/2004 Tsai
 D488,254 S 4/2004 Tsai
 D488,255 S 4/2004 Tsai
 D488,584 S 4/2004 Tsai
 D540,977 S 4/2007 Hunkins
 D544,641 S 6/2007 Elwell et al.
 D544,642 S 6/2007 Elwell et al.
 7,261,346 B1 8/2007 Kubesh
 7,314,245 B1 1/2008 Shymkiw
 D571,500 S * 6/2008 Lin D26/139
 D578,684 S 10/2008 Marquardt
 D586,273 S 2/2009 Hamburger
 D589,836 S 4/2009 Pokorny
 D591,188 S 4/2009 Pokorny

D595,172 S 6/2009 Pokorny
 D595,895 S * 7/2009 Lamm D26/139
 D604,893 S * 11/2009 Woolley D26/139
 7,695,033 B2 4/2010 Mae et al.
 D618,537 S 6/2010 Panzer et al.
 D632,424 S 2/2011 Fesler et al.
 D676,599 S 2/2013 Davidson et al.
 D677,424 S 3/2013 Parkes et al.
 D677,425 S 3/2013 Parkes et al.
 D701,993 S 4/2014 Wu
 D721,454 S 1/2015 King et al.
 D721,847 S 1/2015 Wu
 D721,848 S 1/2015 Wu
 D729,973 S 5/2015 Gebhard et al.
 9,310,044 B2 4/2016 Pusch et al.
 D802,810 S 11/2017 Johns et al.
 D805,245 S 12/2017 Johns et al.
 2008/0225542 A1 9/2008 Mertens et al.

OTHER PUBLICATIONS

<https://ruggedridge.com/elite-guard-kit-tail-light-textured-black-18-10-wrangler-jl.html>, accessed Oct. 3, 2019.
https://www.4wd.com/b/lighting-lighting-accessories/tail-light-guards/_/N-cm0tj, accessed Oct. 3, 2019.
 “How to Install a Tail Light Guard,” <http://www.jcwhitney.com/tail-light-guard>, Nov. 22, 2016.
 2007 & Up Jeep® Wrangler Catalog 2015: Accessories, Performance & Replacement Parts, Ruggedridge.com.
 “Rugged Ridge—Euro Tail Light Guards,” <http://www.jcwhitney.com/rugged-ridge-euro-tail-light-guards/p3068679.jcwx>, Nov. 22, 2016.
 “For Jeep Wrangler Tail Light Covers 2007-2016 Black Metal Tail Lights Guards 2Pcs”, DHgate.com., last accessed Dec. 12, 2018.
 “Rugged Ridge 11226.30 Tail Light Euro Guards for 15-18 Jeep Renegade BU” RuggedRidge.com, Quadratec, Inc., last accessed Dec. 12, 2018.

* cited by examiner

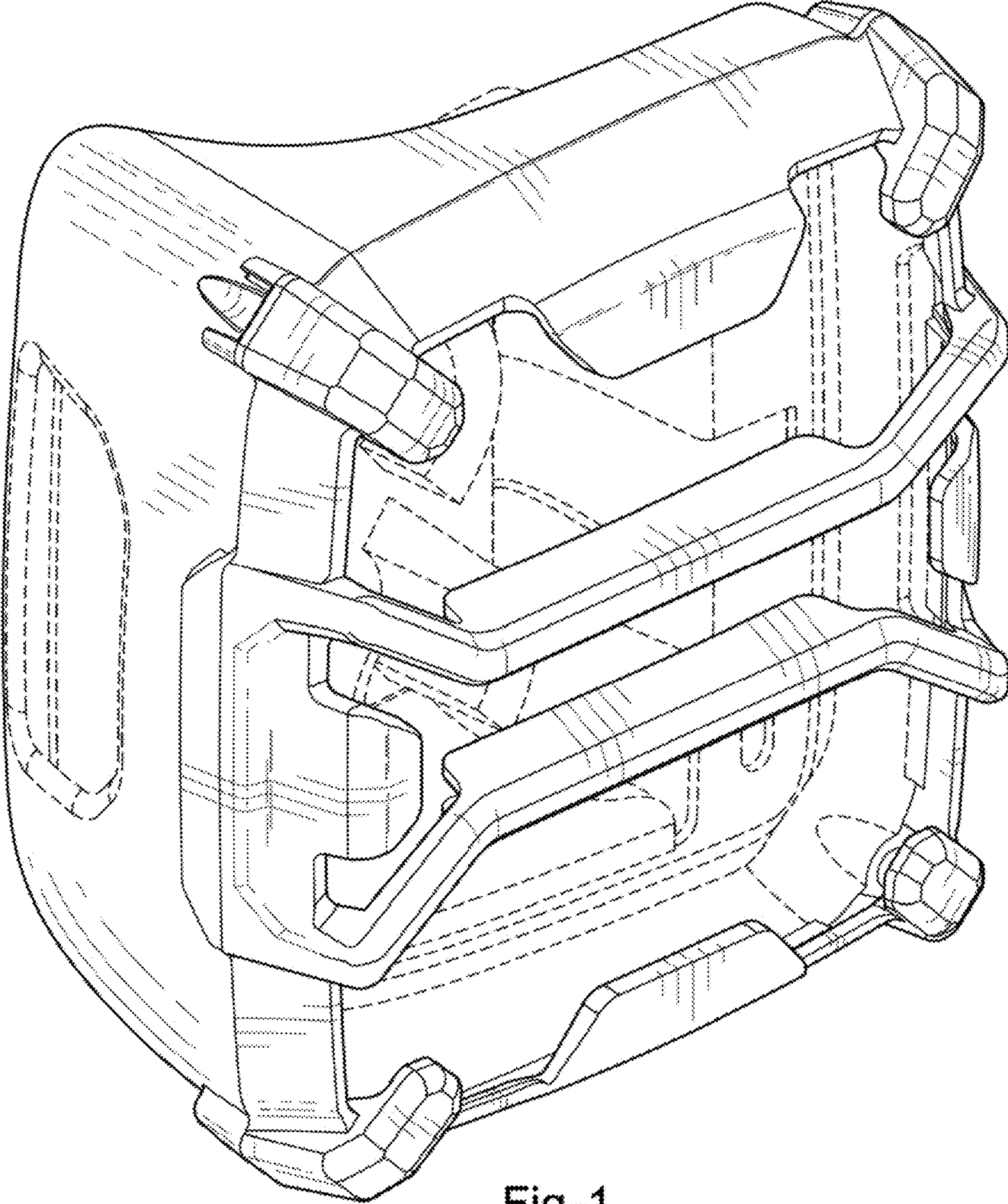


Fig-1

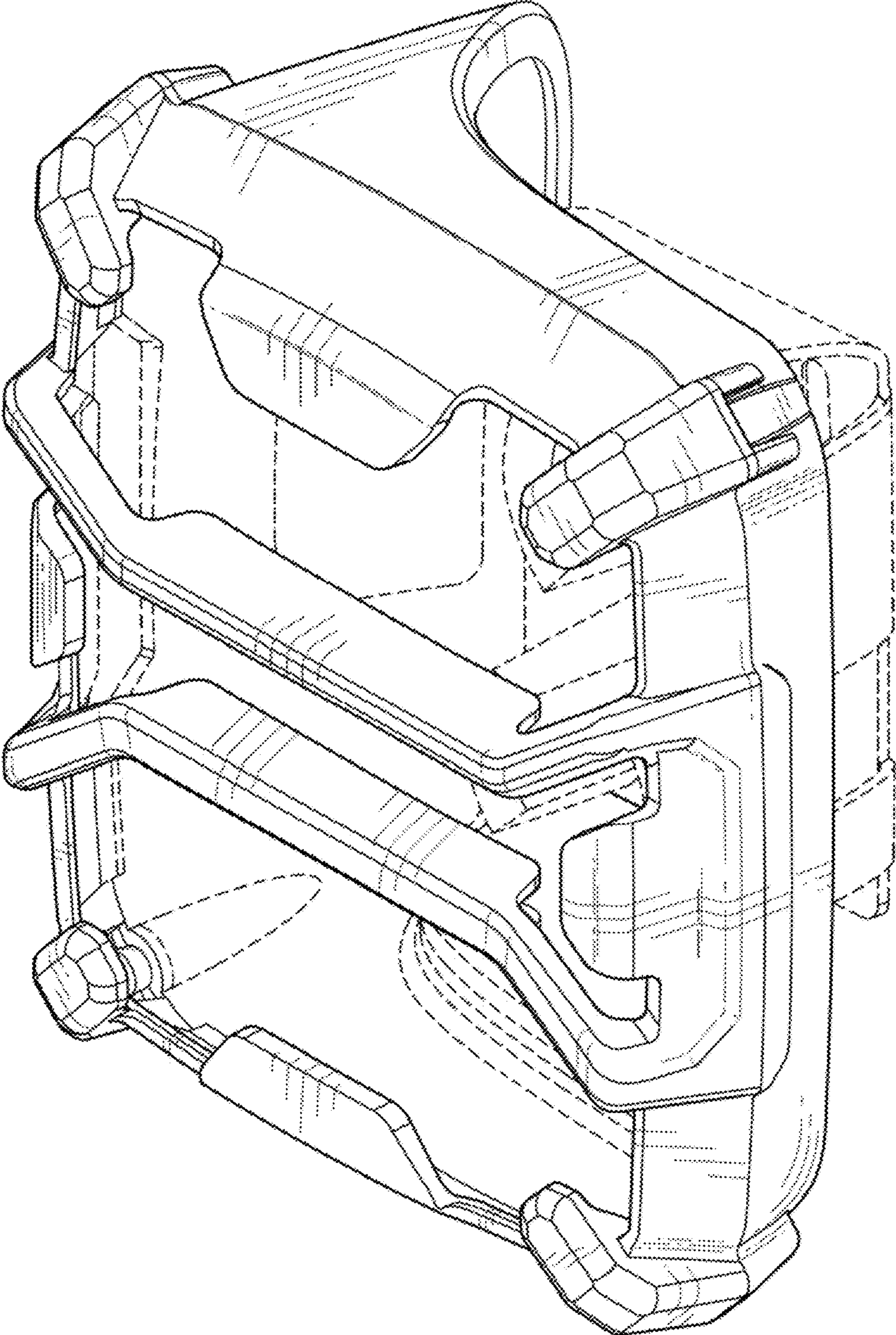


Fig-2

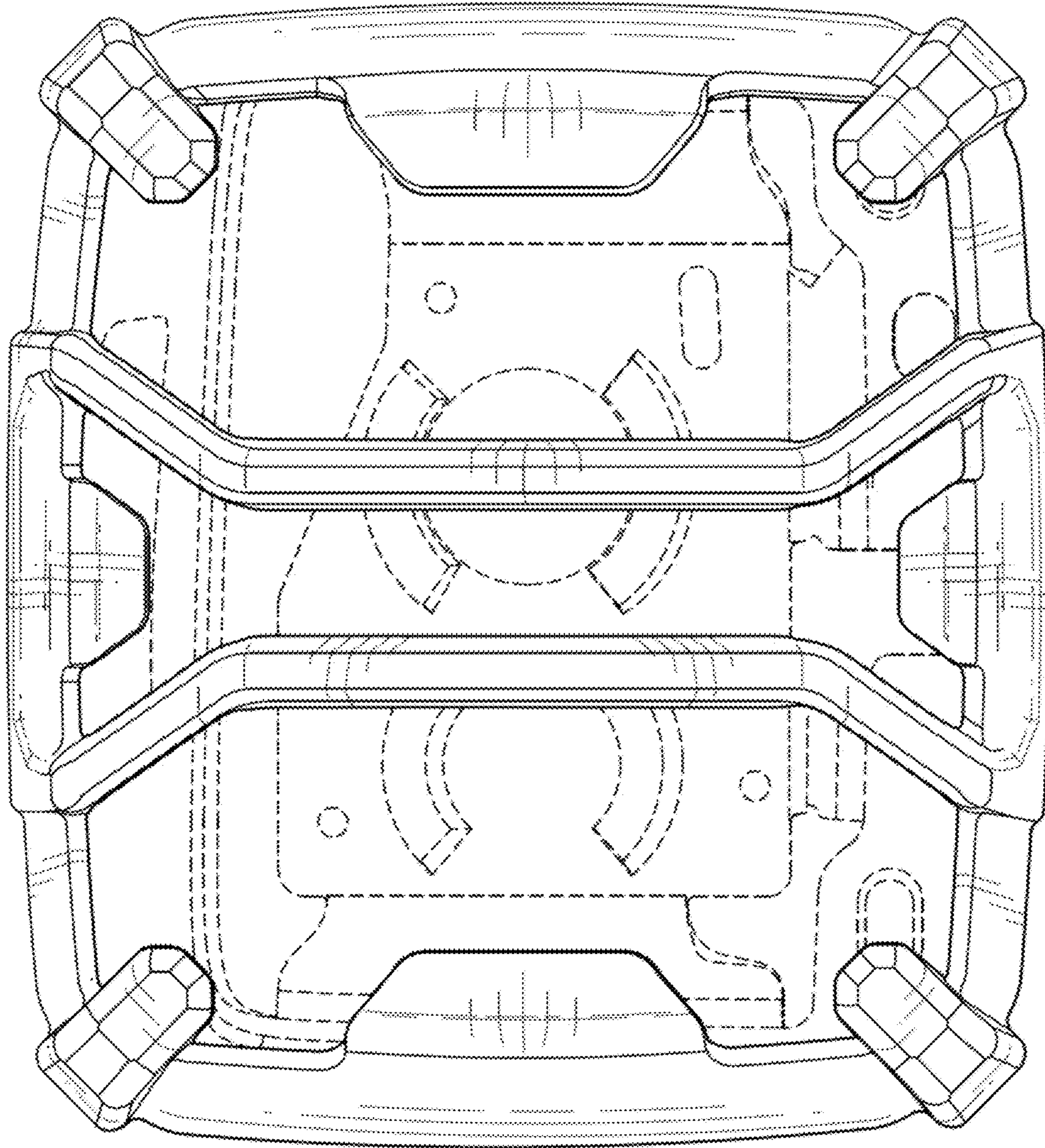


Fig-3

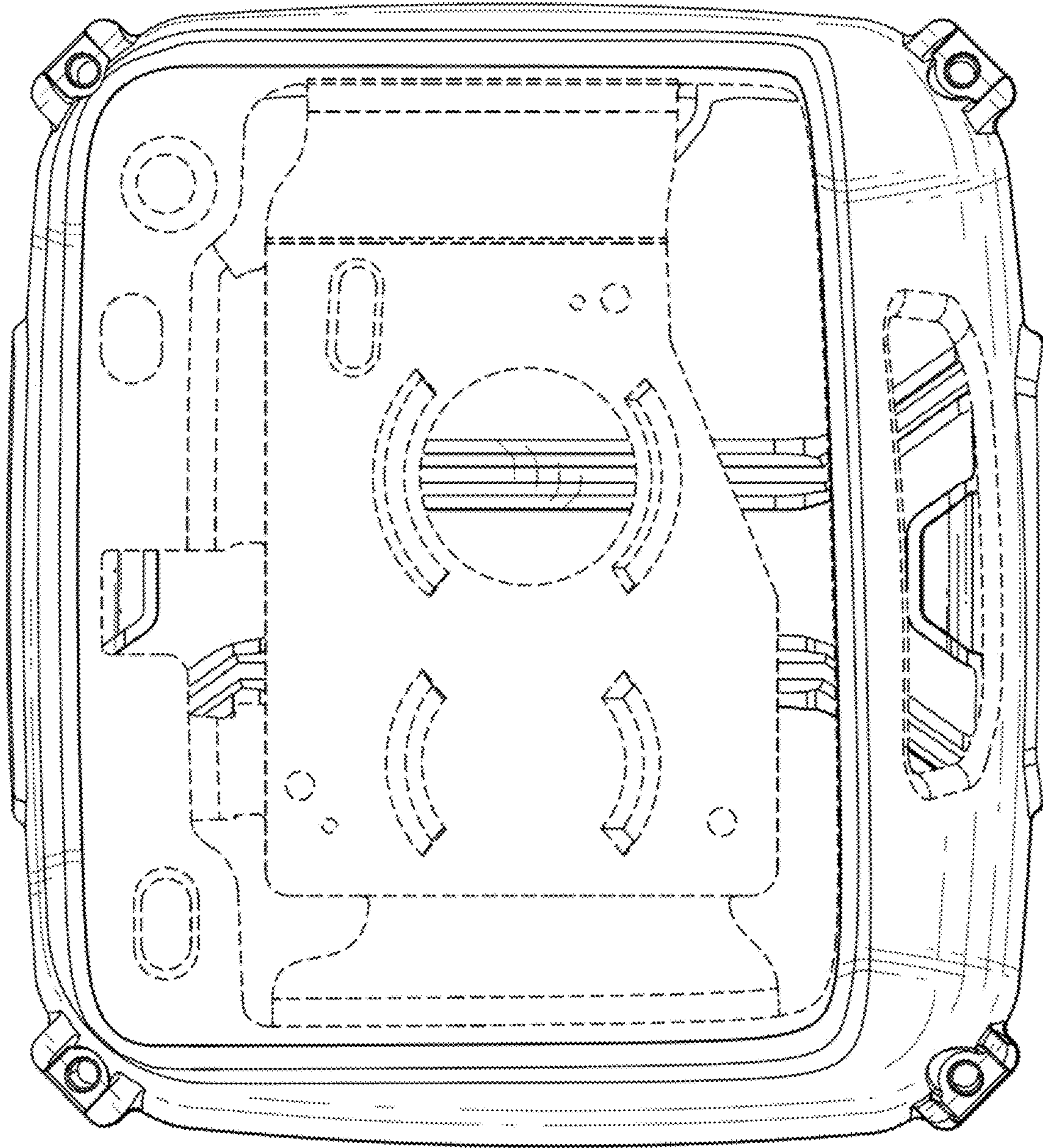


Fig-4

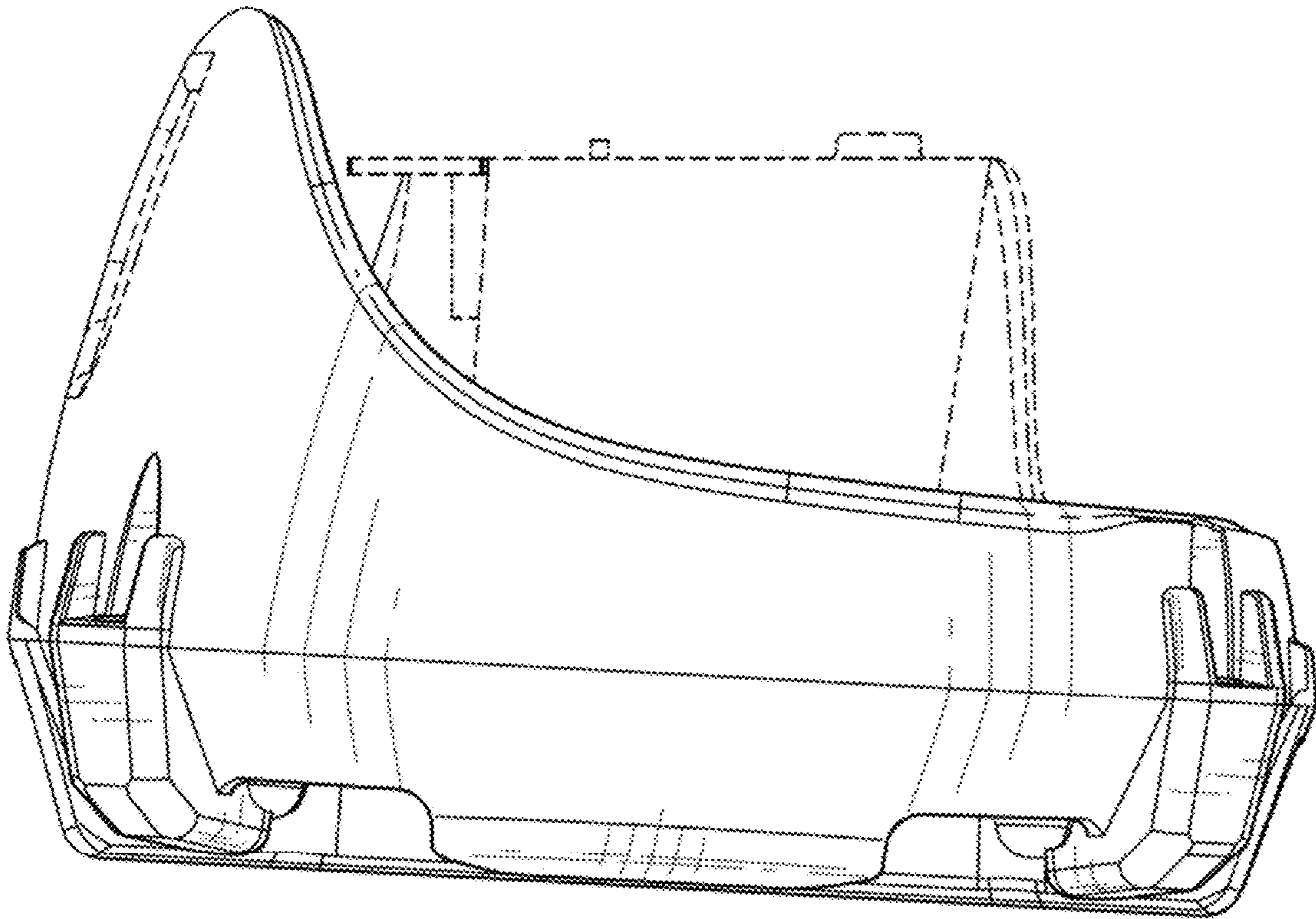


Fig-5

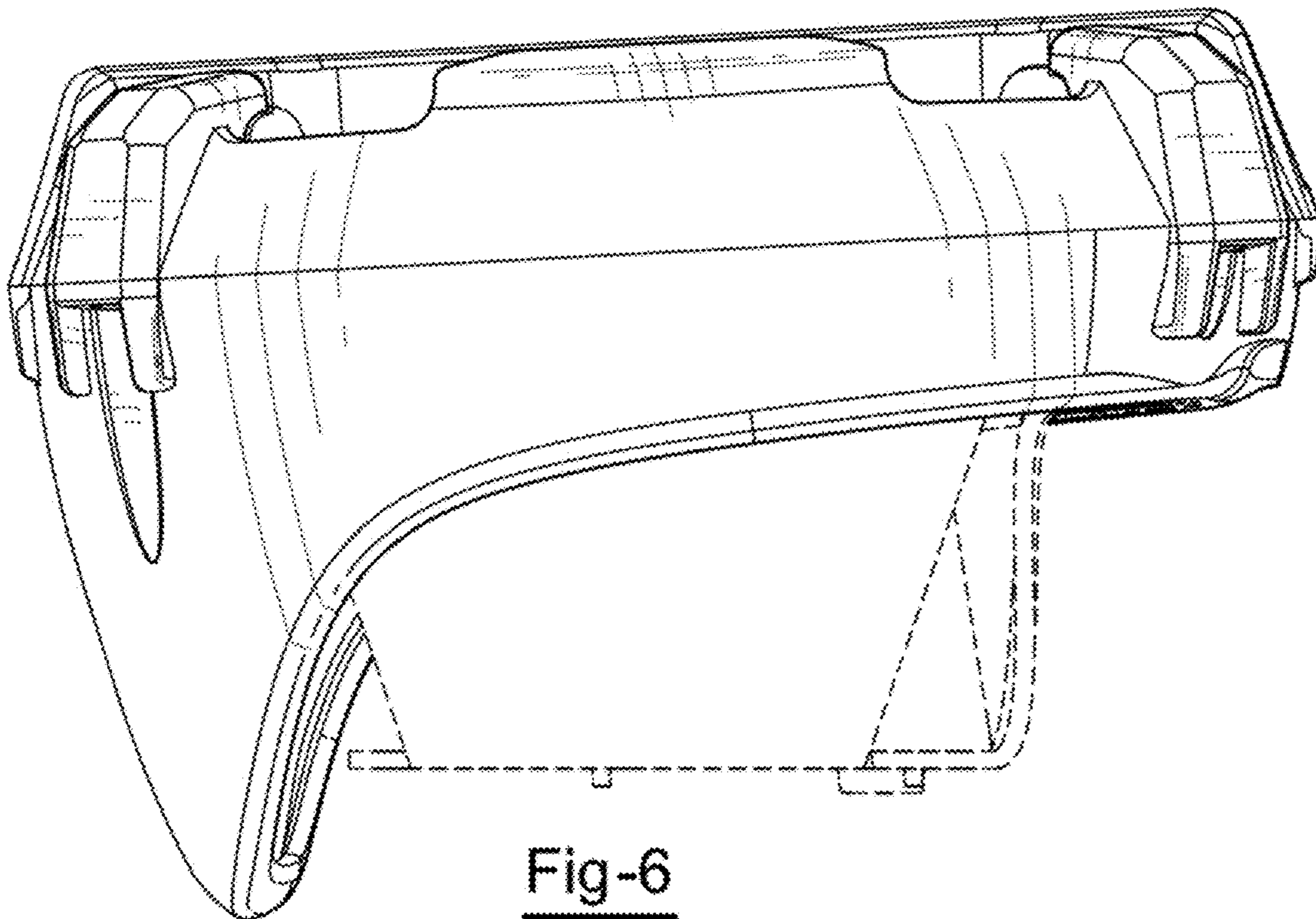


Fig-6

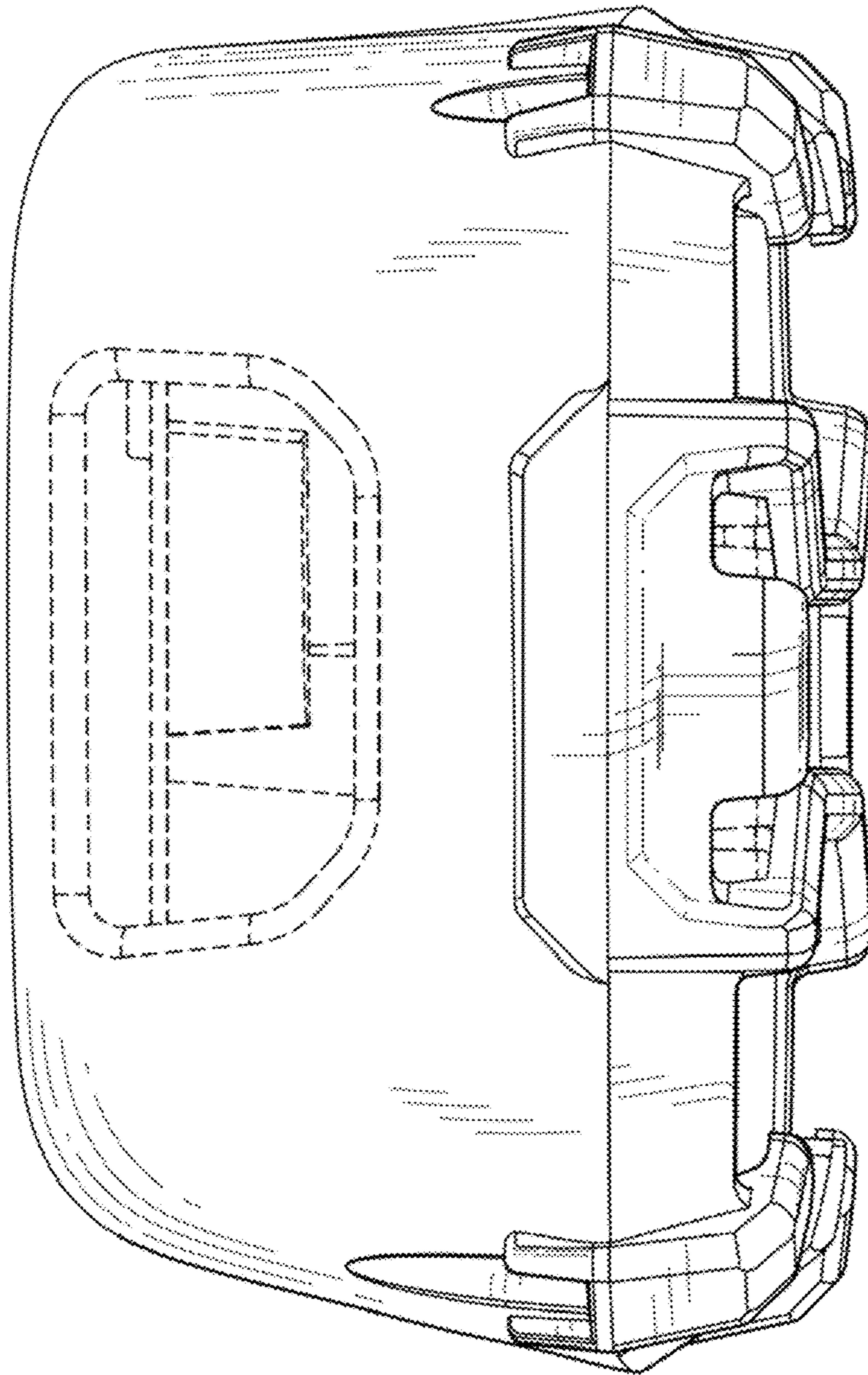


Fig-7

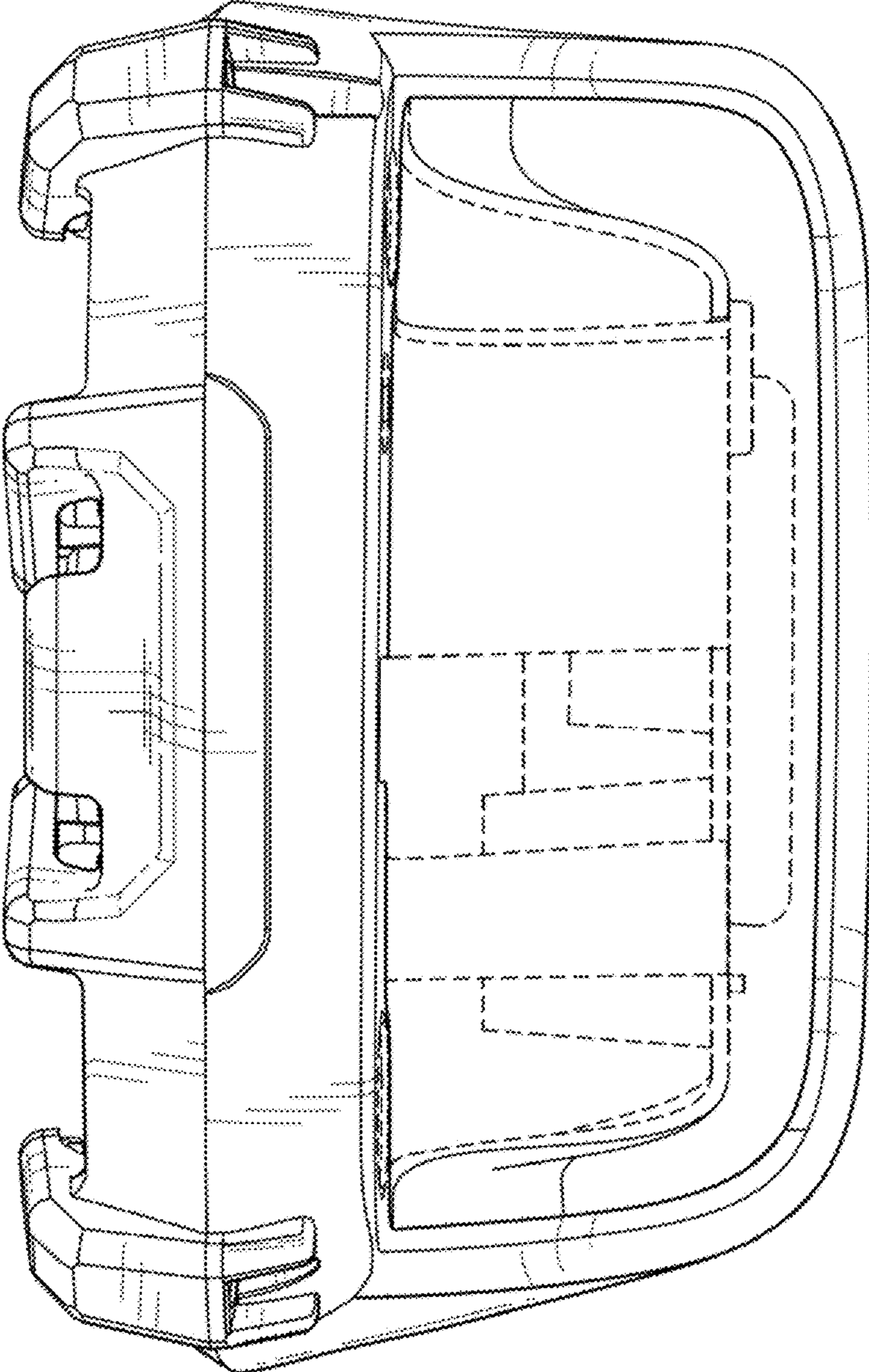


Fig-8

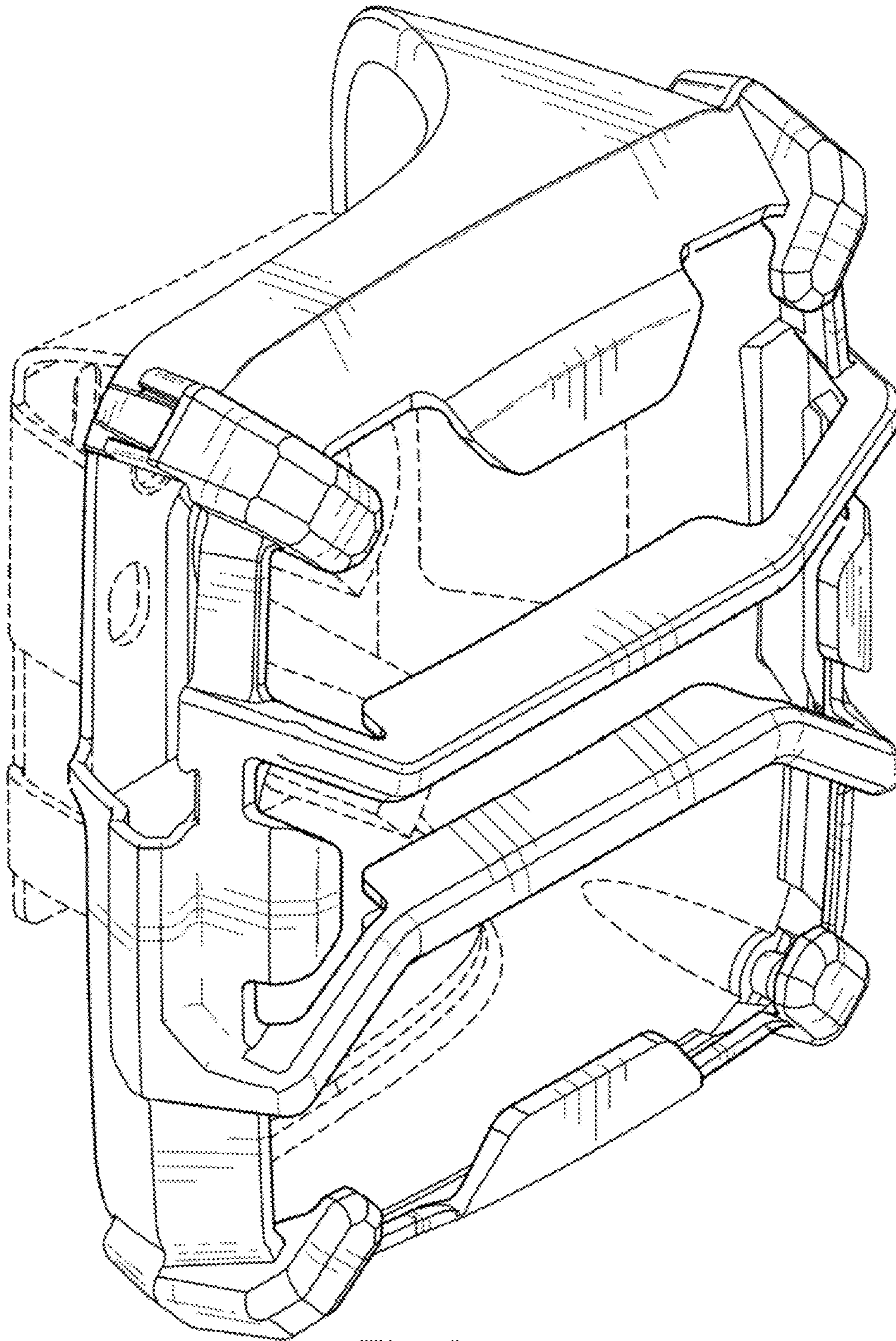


Fig-9

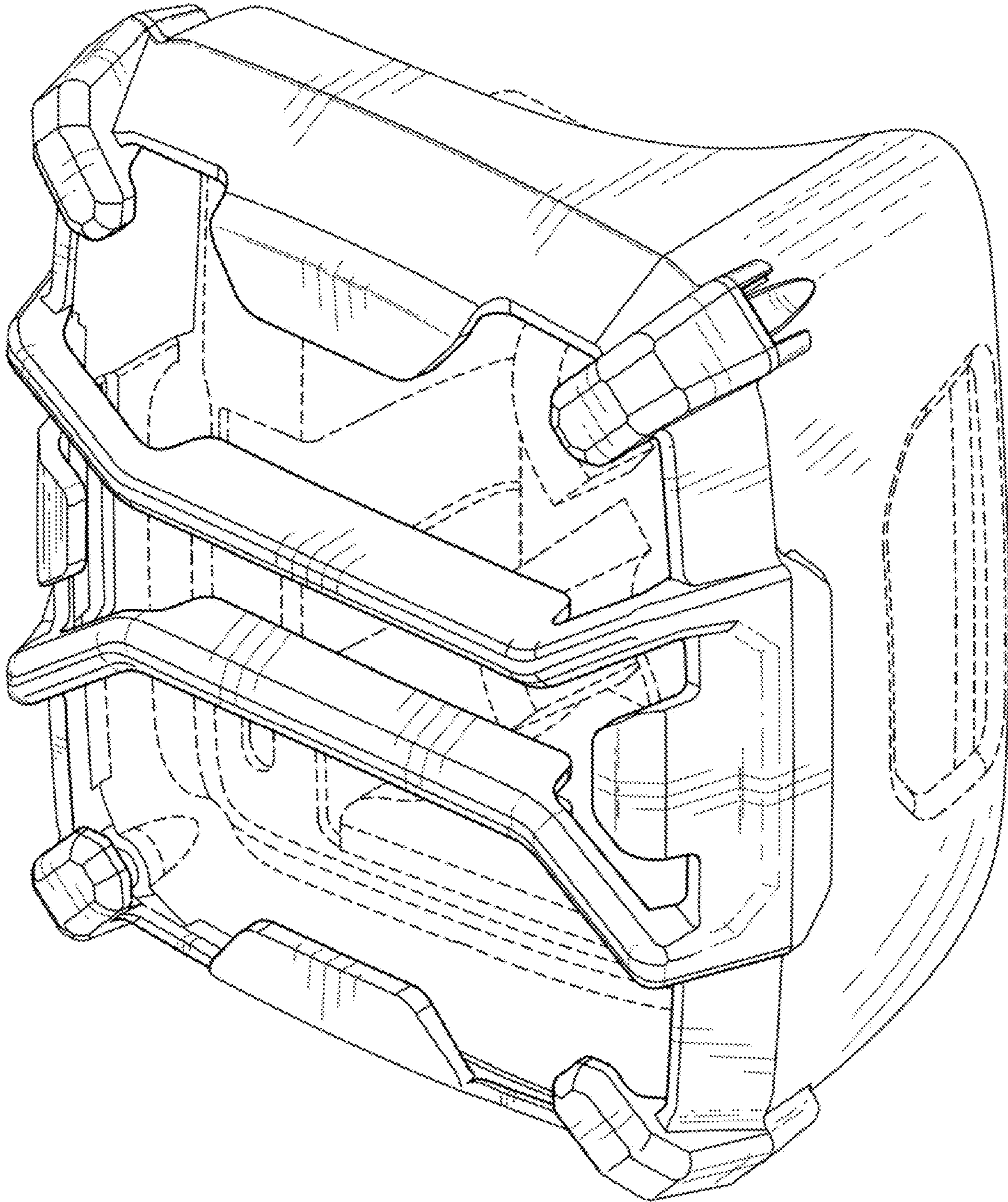


Fig-10

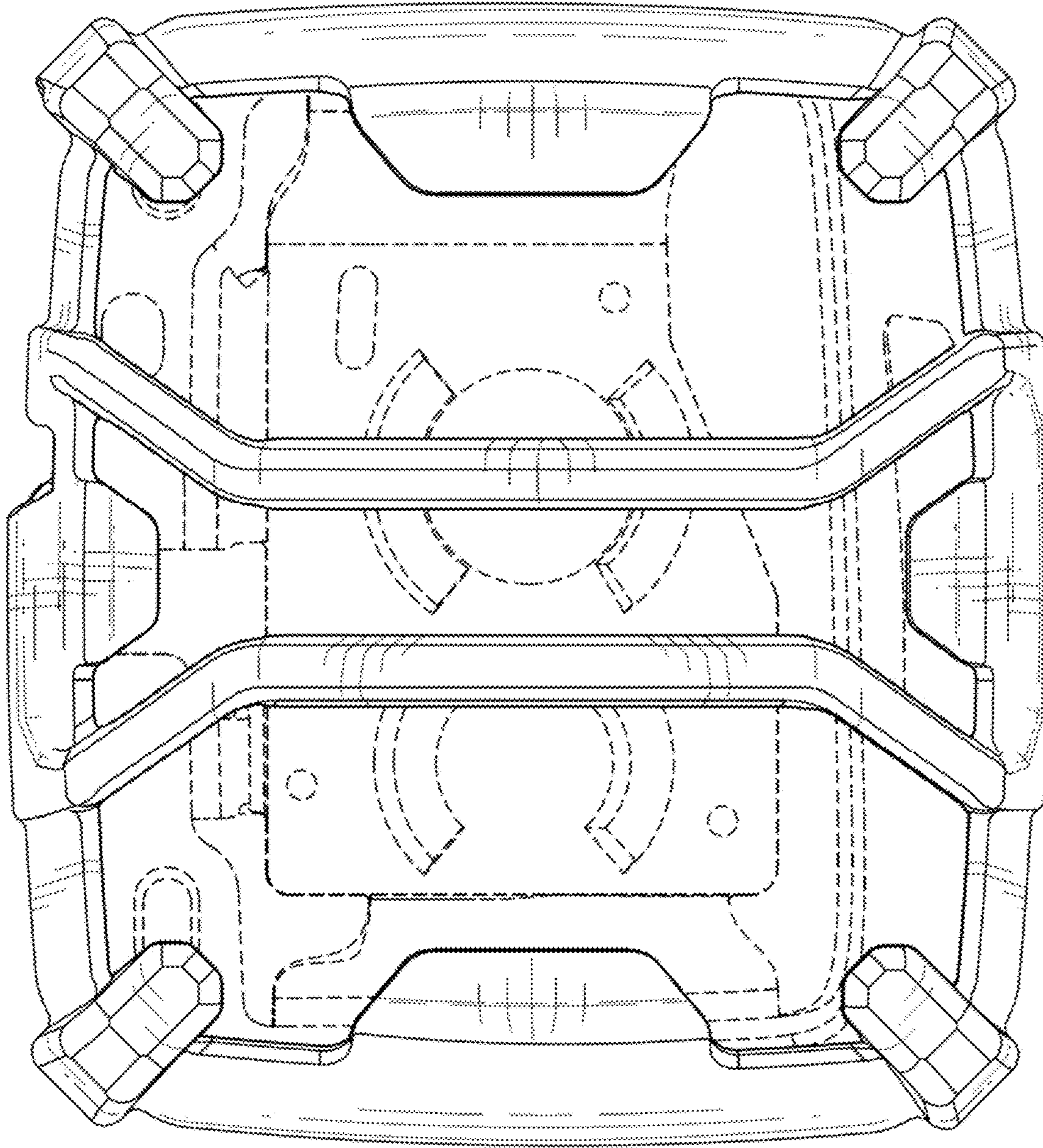


Fig-11

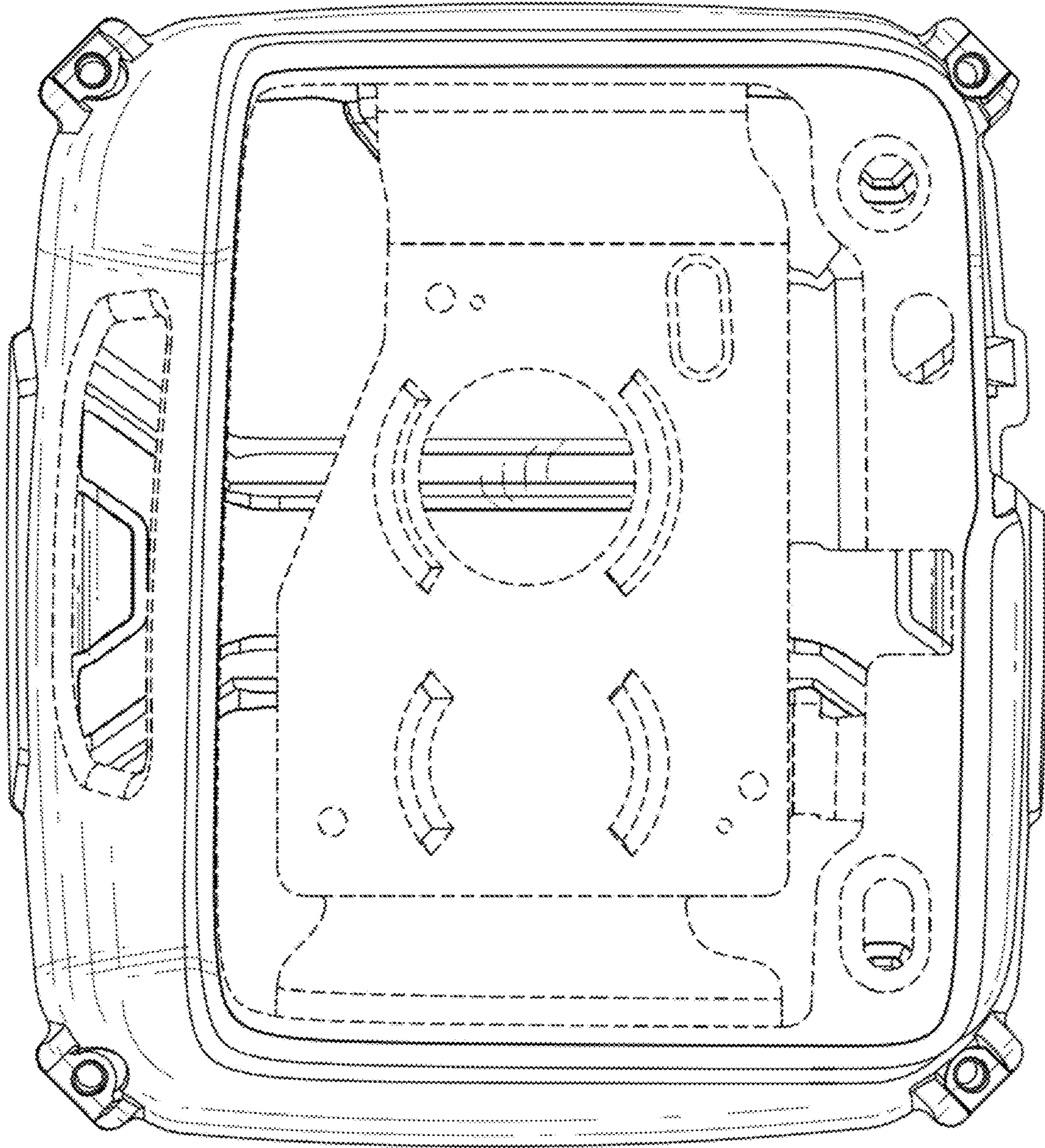


Fig-12

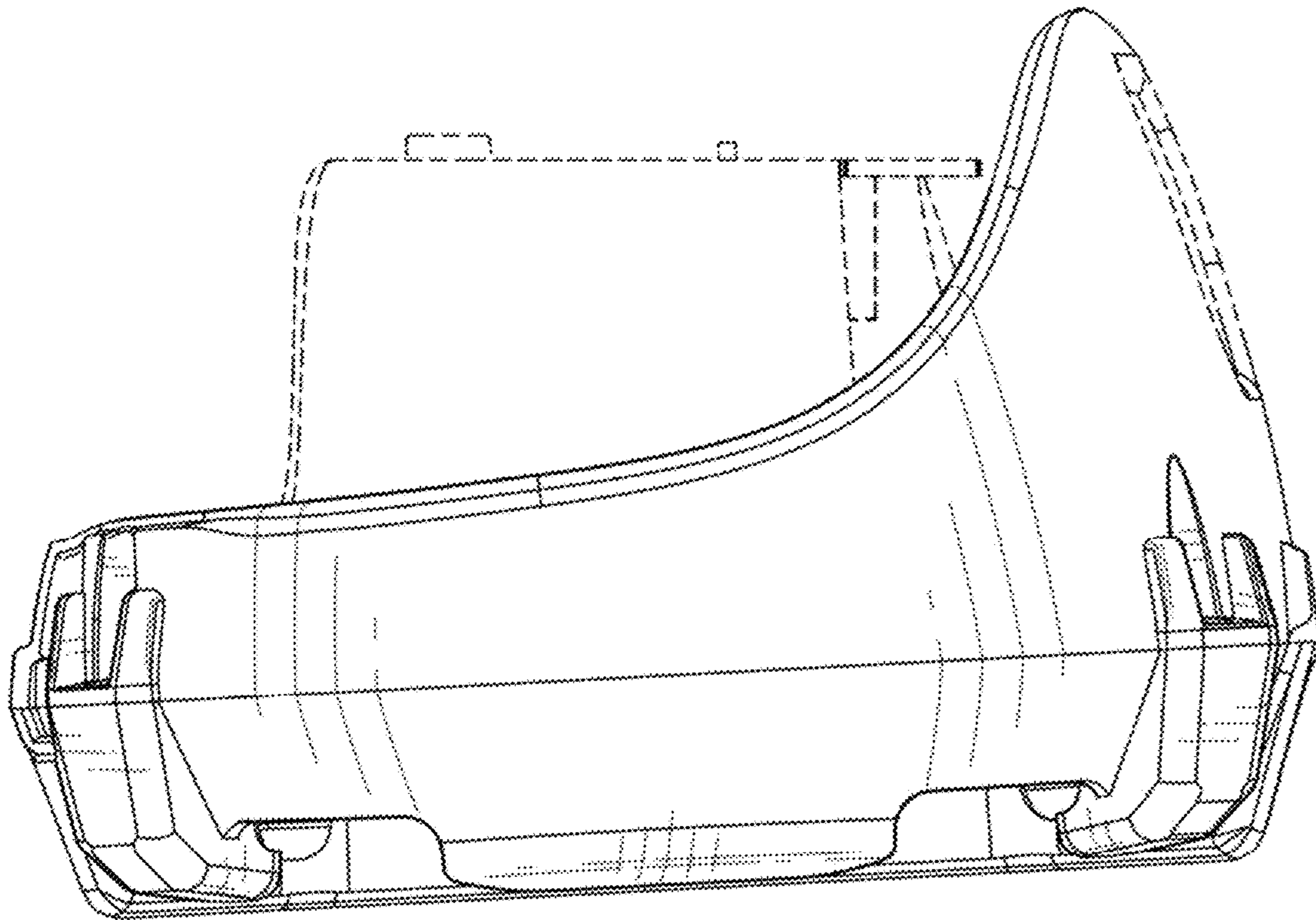


Fig-13

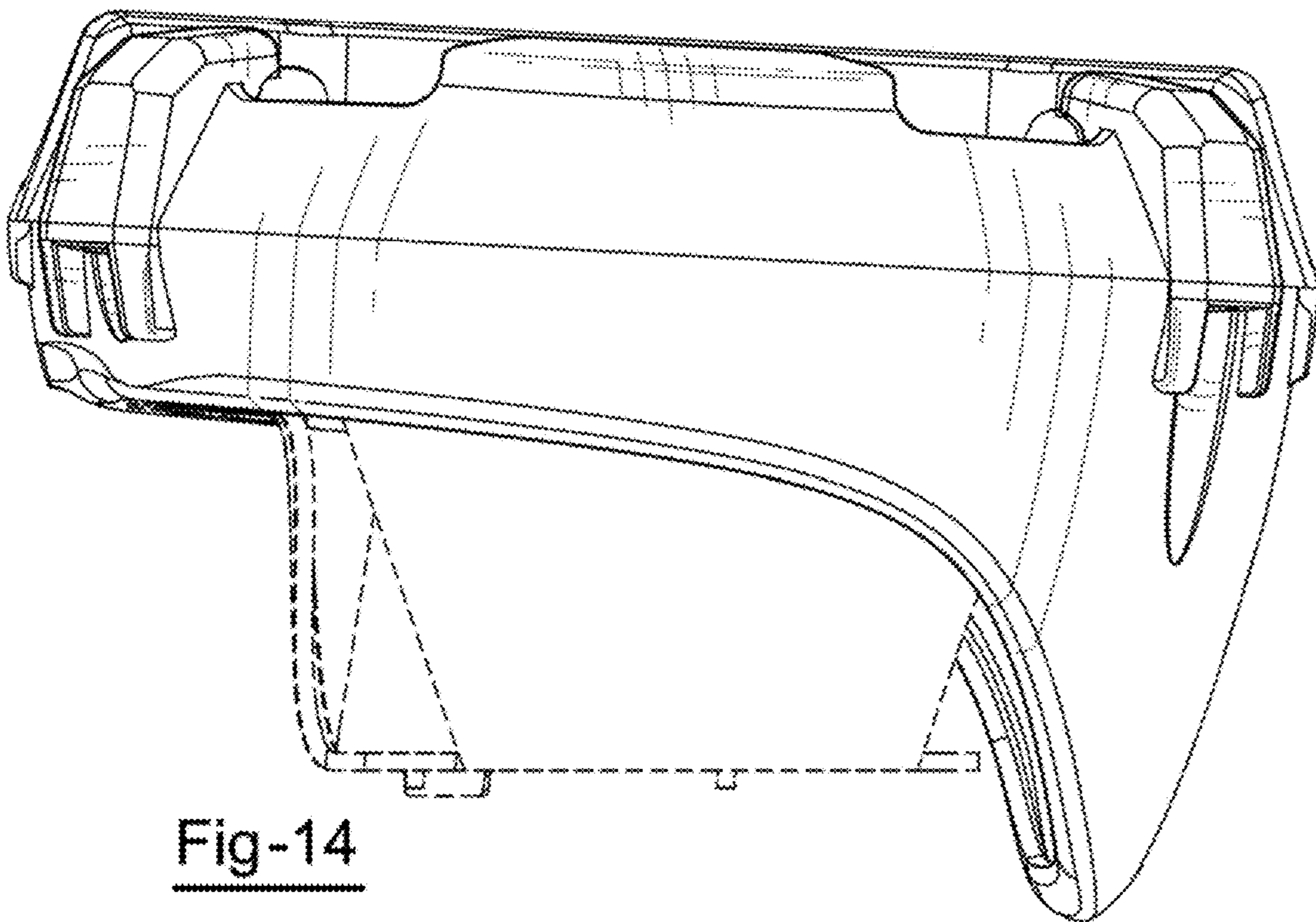


Fig-14

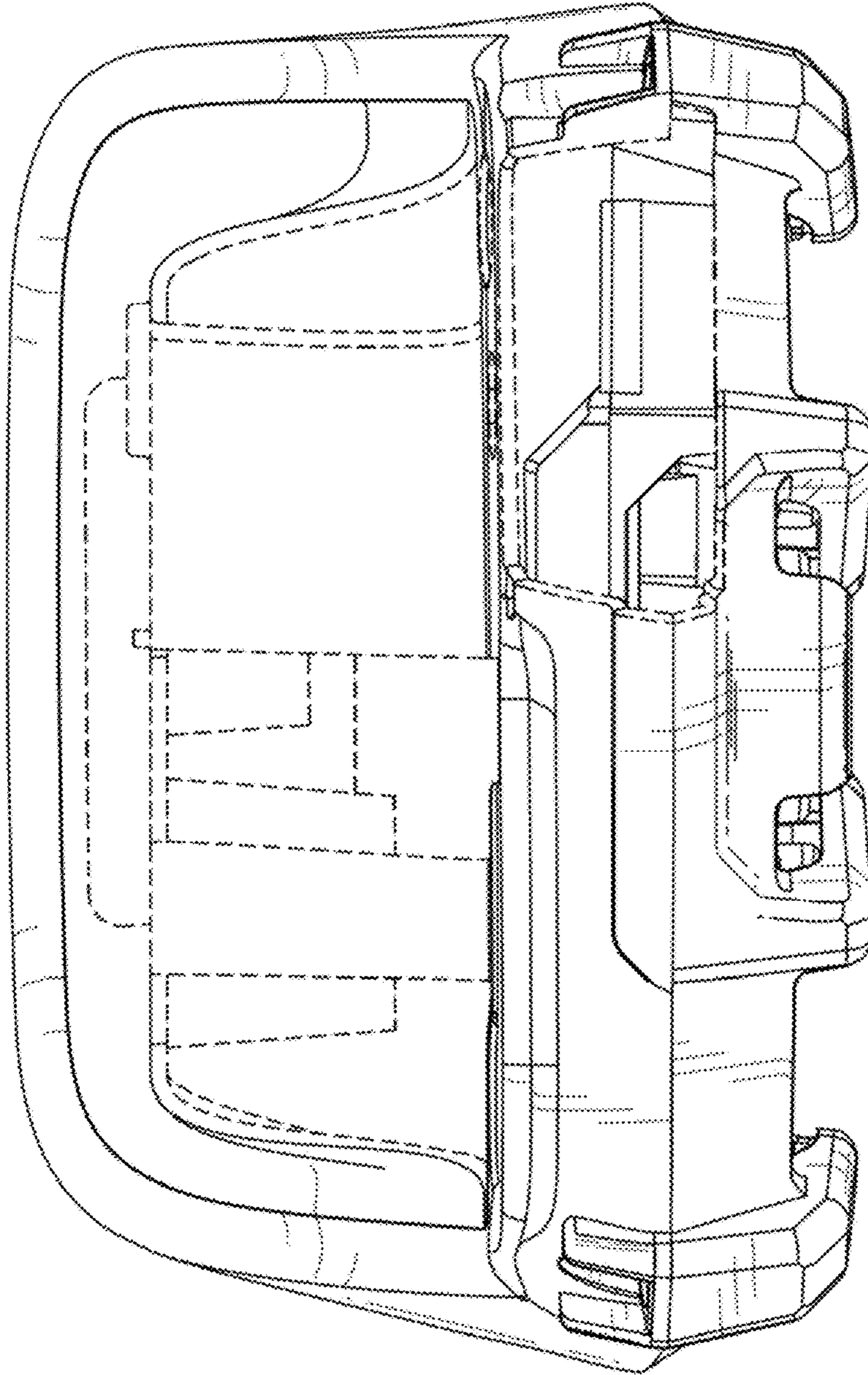


Fig-15

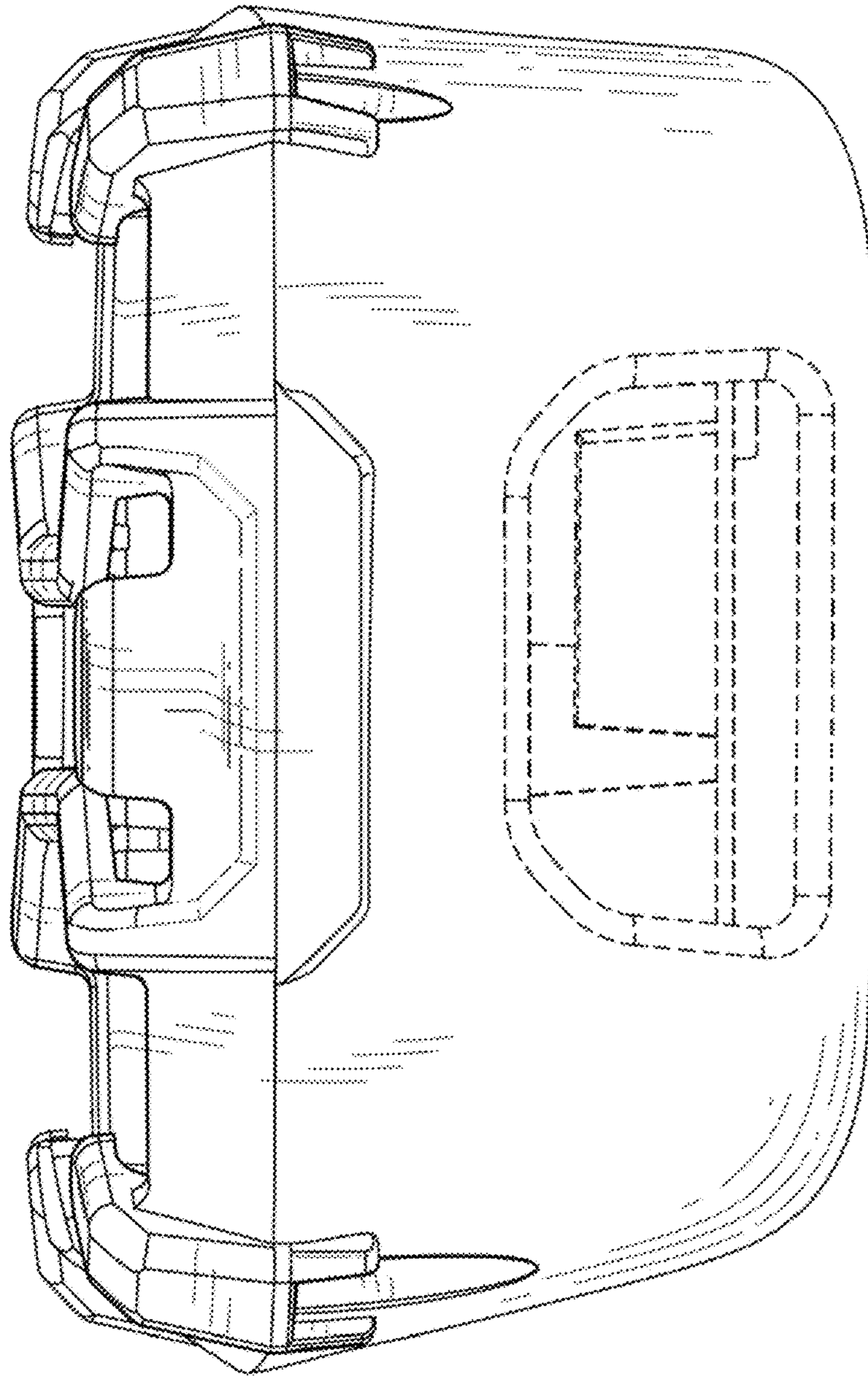


Fig-16