



US00D898986S

(12) **United States Design Patent** (10) **Patent No.:** **US D898,986 S**
Gold (45) **Date of Patent:** **** Oct. 13, 2020**

- (54) **STRING LIGHT SUPPORT**
- (71) Applicant: **Brilliance LED, LLC**, Carefree, AZ (US)
- (72) Inventor: **Stephen J Gold**, Cave Creek, AZ (US)
- (73) Assignee: **BRILLIANCE LED, LLC**, Carefree, AZ (US)
- (**) Term: **15 Years**
- (21) Appl. No.: **29/694,878**
- (22) Filed: **Jun. 13, 2019**
- (51) **LOC (12) Cl.** **26-05**
- (52) **U.S. Cl.**
USPC **D26/138**
- (58) **Field of Classification Search**
USPC D26/63, 72, 74, 76, 78-83, 85, 86, 88, D26/90, 93, 111, 113, 118, 119, 120, 121, D26/122, 138, 139, 140, 141, 142, 152
CPC F21S 2/00; F21S 4/00; F21S 4/003; F21S 4/005; F21S 4/006; F21S 4/007; F21S 4/008; F21S 6/00; F21S 8/00; F21S 8/024; F21S 8/026; F21S 8/031; F21S 8/033; F21S 8/035-037; F21S 8/04; F21S 8/043; F21S 8/063
See application file for complete search history.

- D573,298 S * 7/2008 Kinnune D26/142
- D786,493 S * 5/2017 Hughes D26/138
- D790,119 S * 6/2017 Sonneman D26/138
- D794,869 S * 8/2017 Lal D26/141
- D838,031 S * 1/2019 Fredman D26/113
- D865,232 S * 10/2019 Wu D26/25
- D893,082 S * 8/2020 Amato D26/87

* cited by examiner

Primary Examiner — Natasha Vujcic

(74) *Attorney, Agent, or Firm* — Louis J. Hoffman

(57) **CLAIM**

The ornamental design for a string light support, as shown and described.

DESCRIPTION

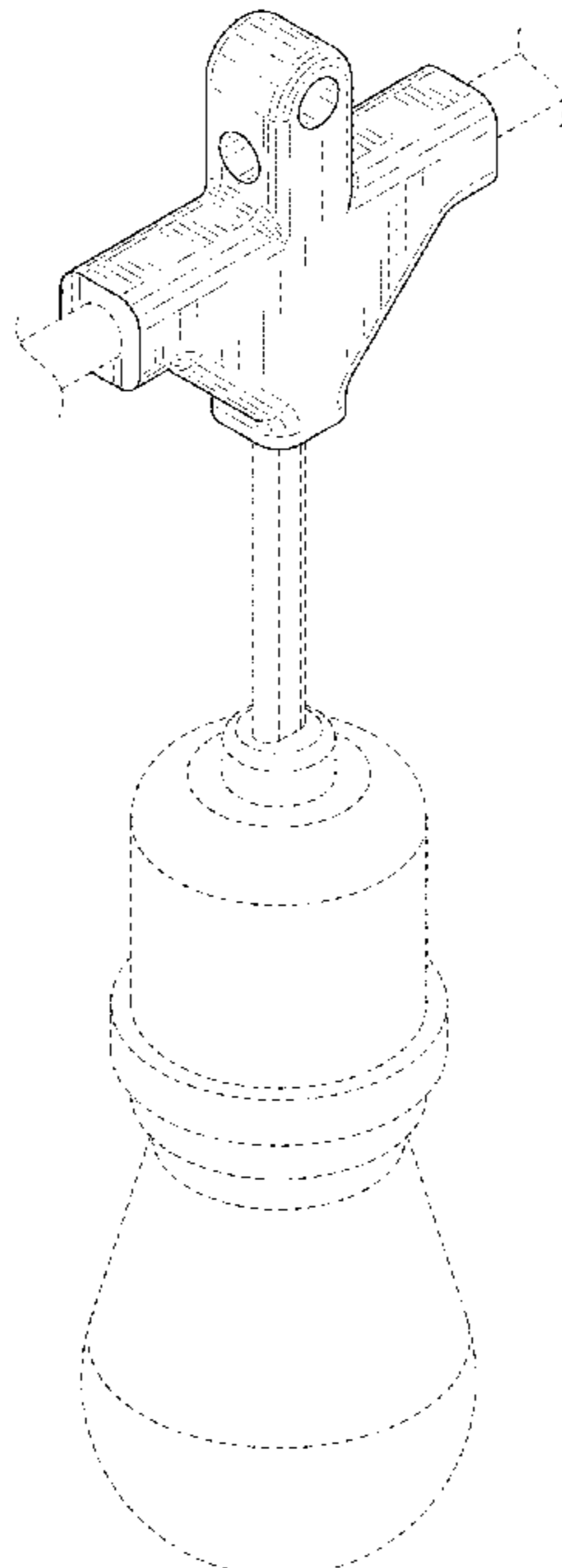
FIG. 1 is a perspective view of a string light support. FIG. 2 is a front elevation view of the string light support, wherein the rear view is a mirror image thereof; FIG. 3 is a side elevation view, wherein the other side view is a mirror image thereof. FIG. 4 is a top plan view of the string light support. FIG. 5 is a bottom plan view of the string light support; and, FIG. 6 is a bottom sectional view of the exterior of the string light support, viewed from the plane indicated on FIG. 2. The broken lines immediately adjacent the shaded areas in FIGS. 1, 3, and 6, represent the bounds of the claimed design. All broken lines, showing portions of electrical wires and an exemplary electrical socket and light bulb, are for the purpose of illustrating the environment and are for illustrative purposes only. Surface shading is included for the purpose of showing contour of surfaces of the three-dimensional object and not for purpose of indicating color, texture, or reflectivity. The broken lines and surface shading form no part of the claimed design.

1 Claim, 3 Drawing Sheets

(56) **References Cited**

U.S. PATENT DOCUMENTS

- D336,528 S * 6/1993 Murata D26/25
- D398,408 S * 9/1998 Lin D26/25
- D429,351 S * 8/2000 Grether D26/25
- D500,573 S * 1/2005 Emory D26/138
- D560,847 S * 1/2008 Ladewig D26/141



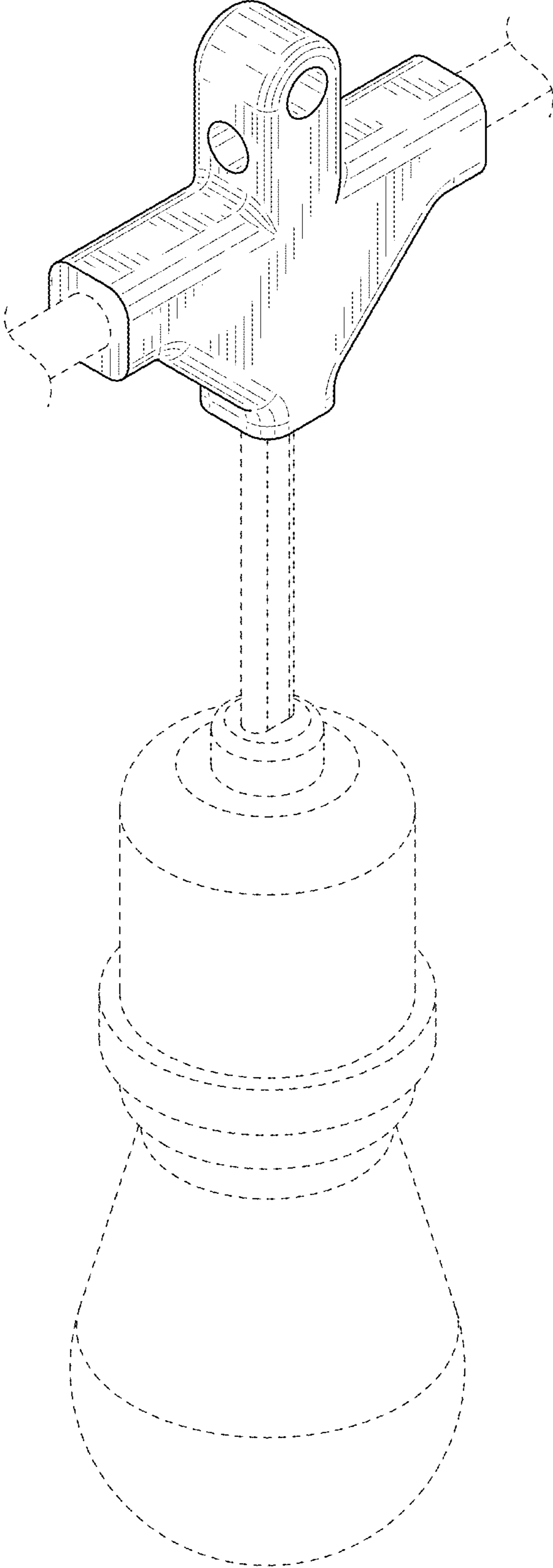


FIG. 1

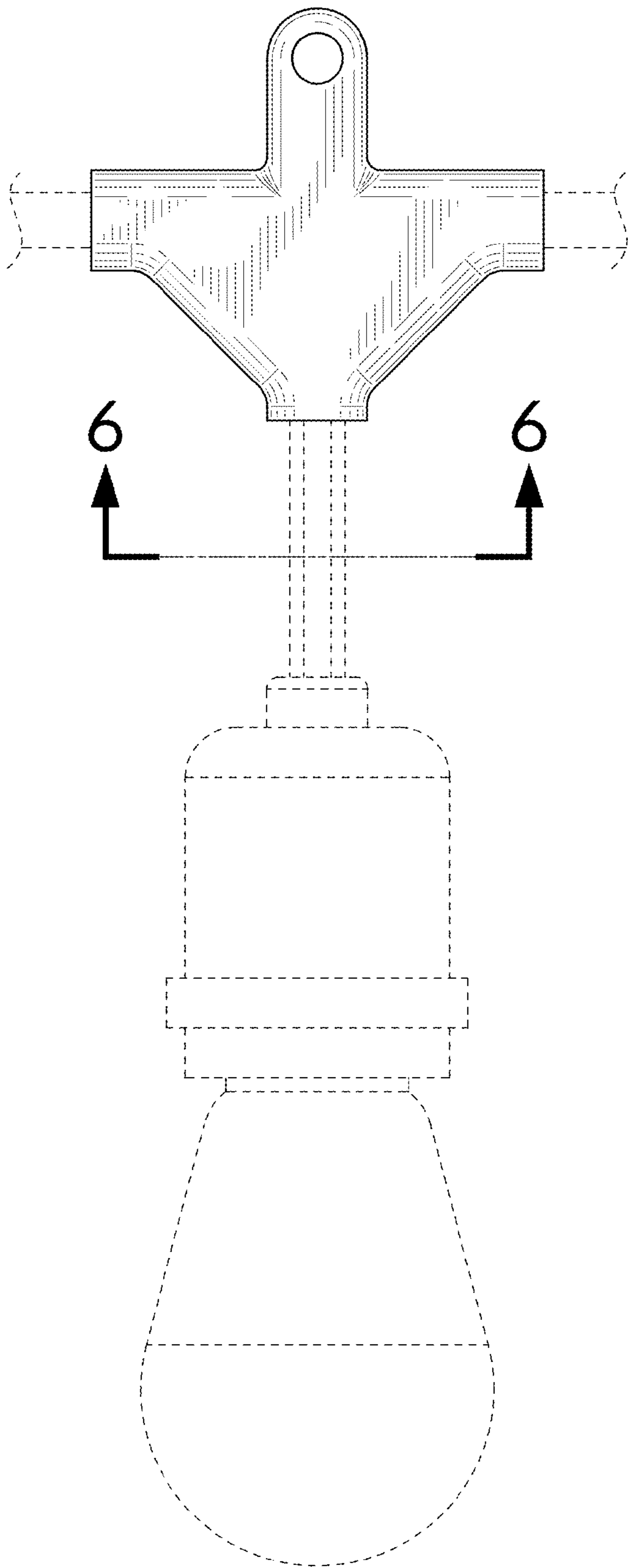


FIG. 2

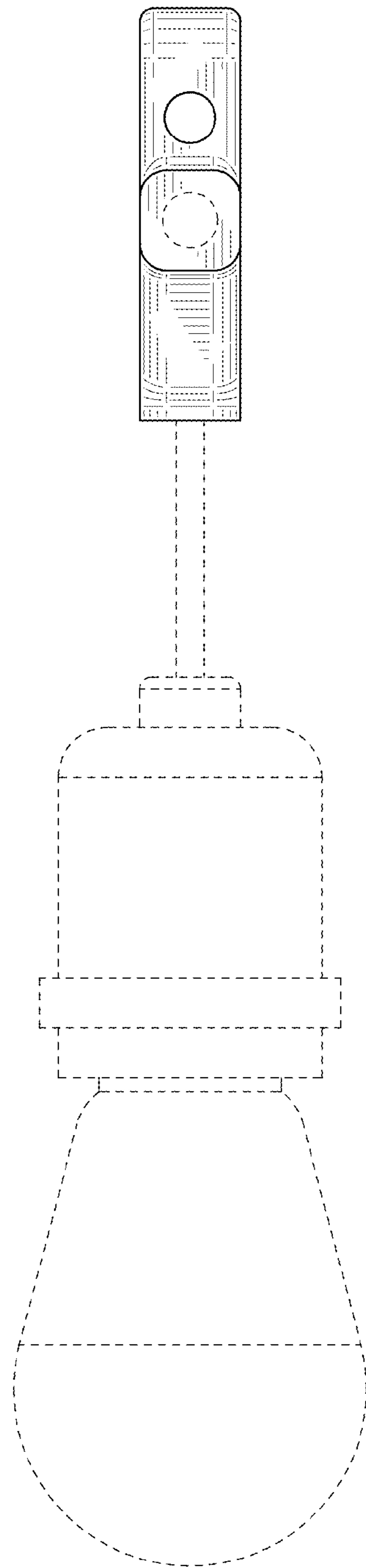


FIG. 3

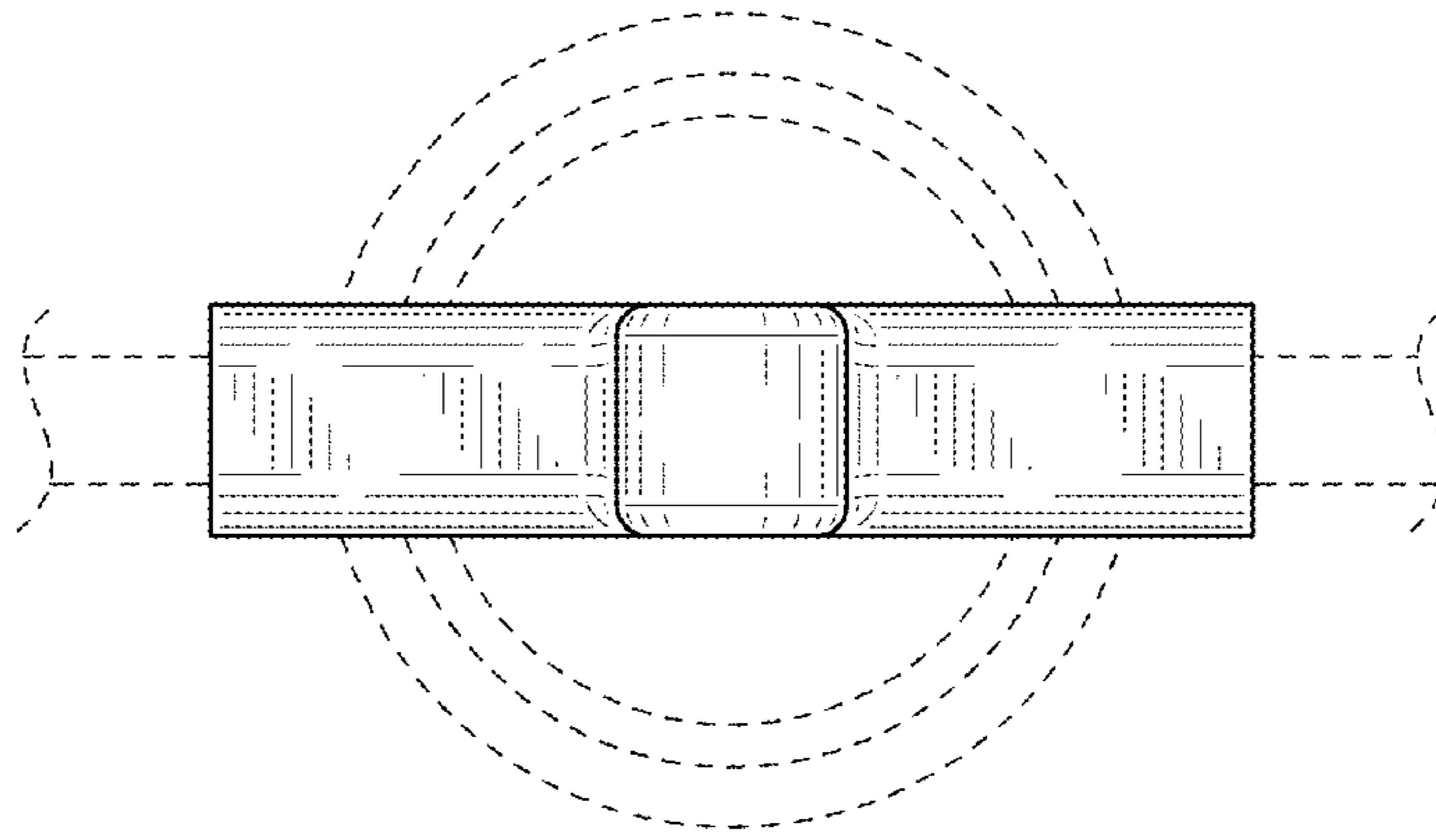


FIG. 4

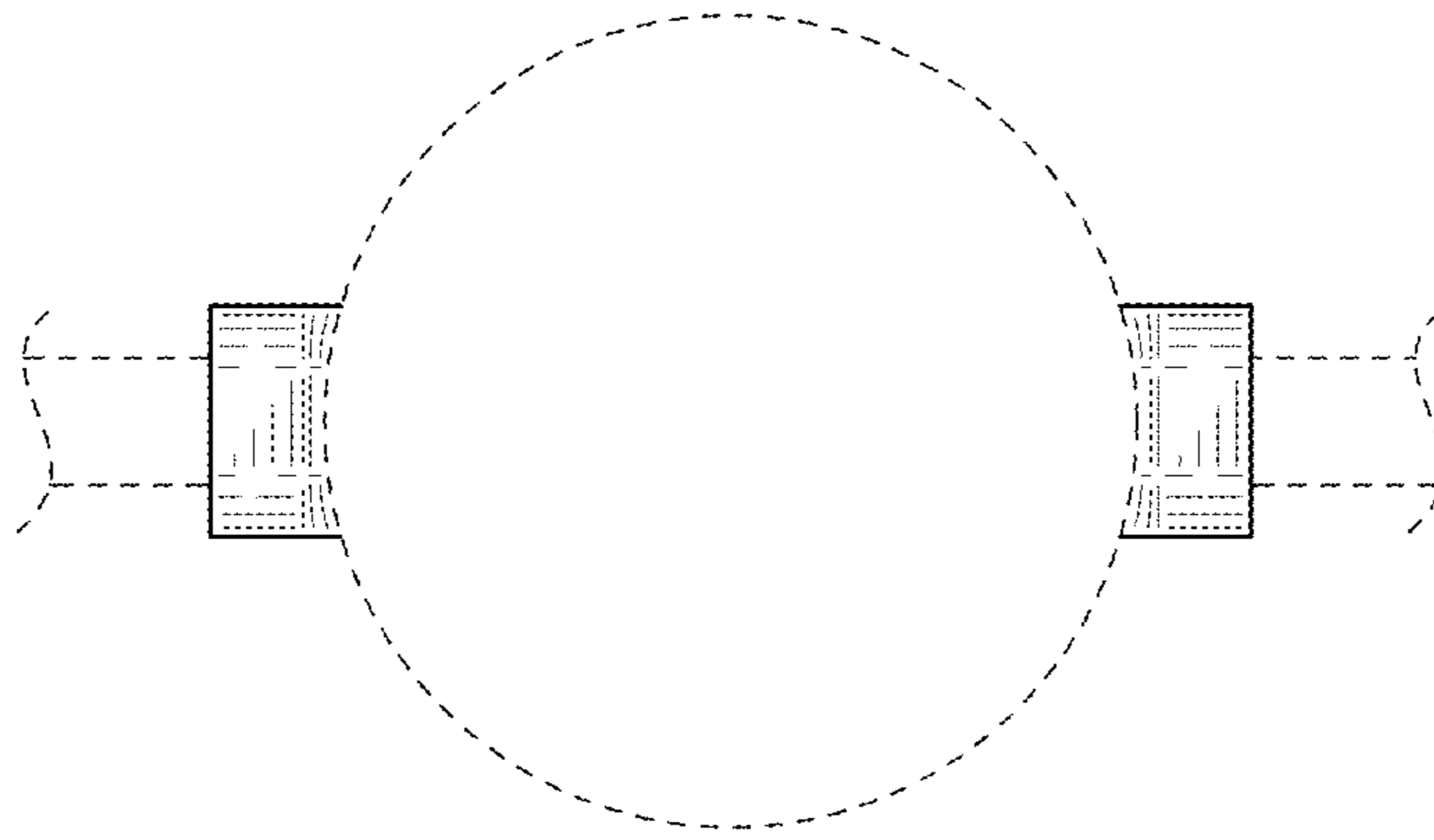


FIG. 5

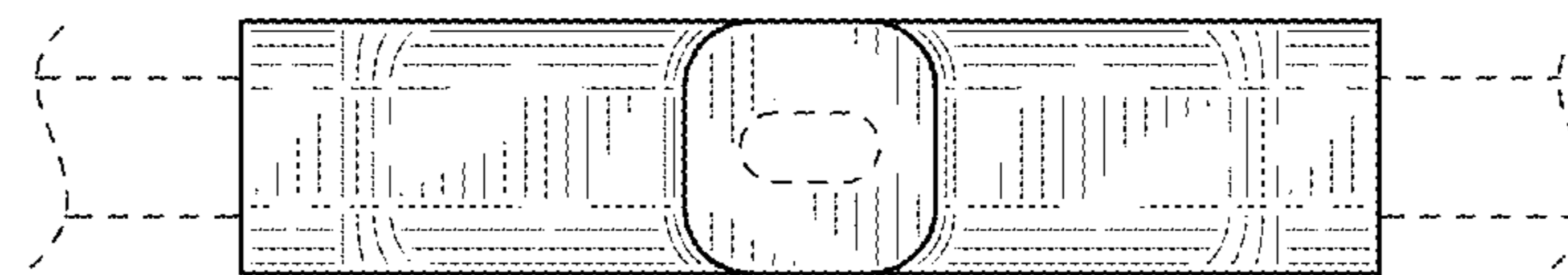


FIG. 6