

US00D898981S

(12) **United States Design Patent** (10) **Patent No.:** **US D898,981 S**
Liu (45) **Date of Patent:** **** Oct. 13, 2020**

(54) **TABLE LAMP**
(71) Applicant: **Dongguan Chuan OptoElectronics Limited**, Dongguan (CN)
(72) Inventor: **Yiquan Liu**, Dongguan (CN)
(73) Assignee: **Dongguan Chuan OptoElectronics Limited**, Dongguan (CN)

D391,665 S * 3/1998 Yang D26/108
D480,827 S * 10/2003 Hsieh D26/108
D570,514 S * 6/2008 Iai D26/65
D600,386 S * 9/2009 Huang D26/63
D607,141 S * 12/2009 Huang D26/107
D742,573 S * 11/2015 Kern D26/107
D744,693 S * 12/2015 Kitts D26/107
D802,202 S * 11/2017 Zahn D26/108

* cited by examiner

(**) Term: **15 Years**
(21) Appl. No.: **29/693,524**
(22) Filed: **Jun. 3, 2019**

Primary Examiner — Brian N. Vinson
(74) *Attorney, Agent, or Firm* — Westbridge IP LLC

(30) **Foreign Application Priority Data**

Apr. 24, 2019 (CN) 2019 3 0192244

(51) **LOC (12) Cl.** **26-03**
(52) **U.S. Cl.**
USPC **D26/108**

(58) **Field of Classification Search**
USPC D26/24, 93, 51, 63, 65, 108, 107, 106
CPC F21S 6/00; F21S 6/002; F21S 6/004; F21S 6/006; F21S 8/00; F21S 10/00; F21V 21/02; F21W 2131/30; F21Y 2105/00
See application file for complete search history.

(56) **References Cited**

U.S. PATENT DOCUMENTS

D217,830 S * 6/1970 Heller D26/51
D385,646 S * 10/1997 Chan D26/107

(57) **CLAIM**

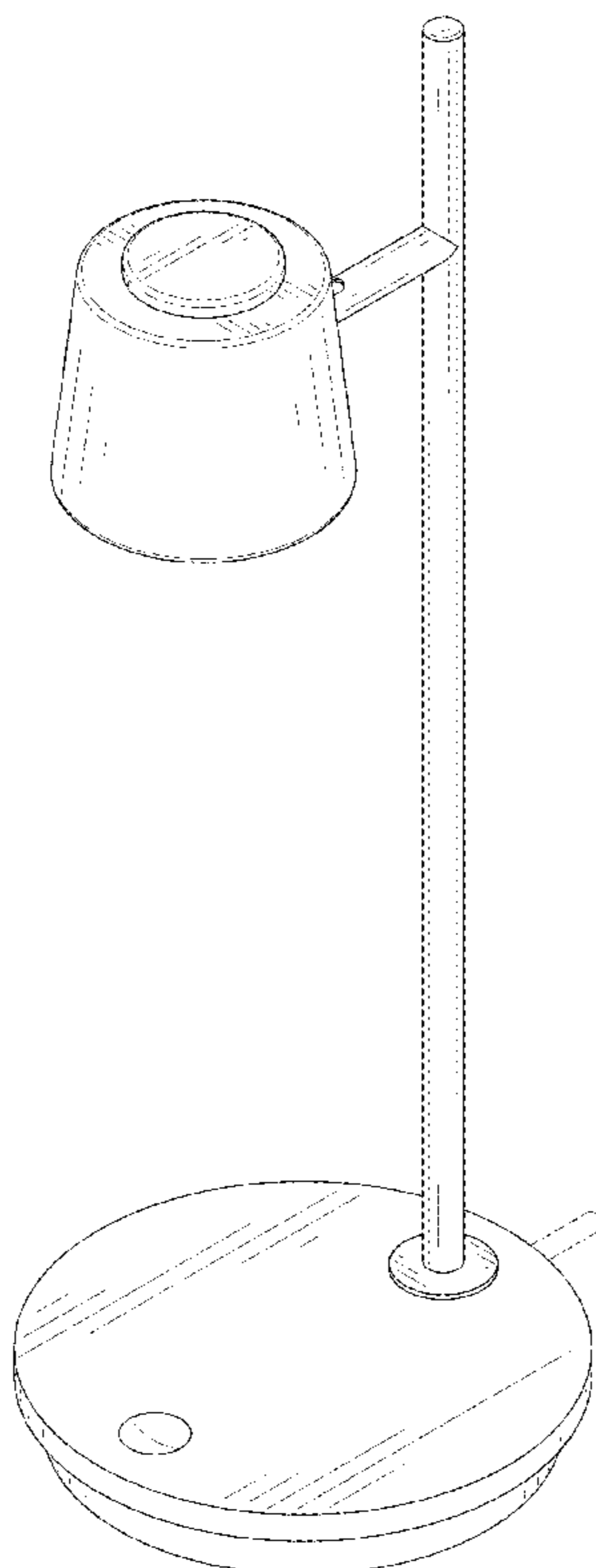
The ornamental design for a table lamp, as shown and described.

DESCRIPTION

FIG. 1 is a top, front and right side perspective view of a table lamp showing my new design;
FIG. 2 is a bottom, rear and right side perspective view thereof;
FIG. 3 is a front elevational view thereof;
FIG. 4 is a rear elevational view thereof;
FIG. 5 is a left side elevational view thereof;
FIG. 6 is a right side elevational view thereof;
FIG. 7 is a top plan view thereof; and,
FIG. 8 is a bottom plan view thereof.

The broken lines in the drawings illustrate portions of the table lamp which form no part of the claimed design.

1 Claim, 8 Drawing Sheets



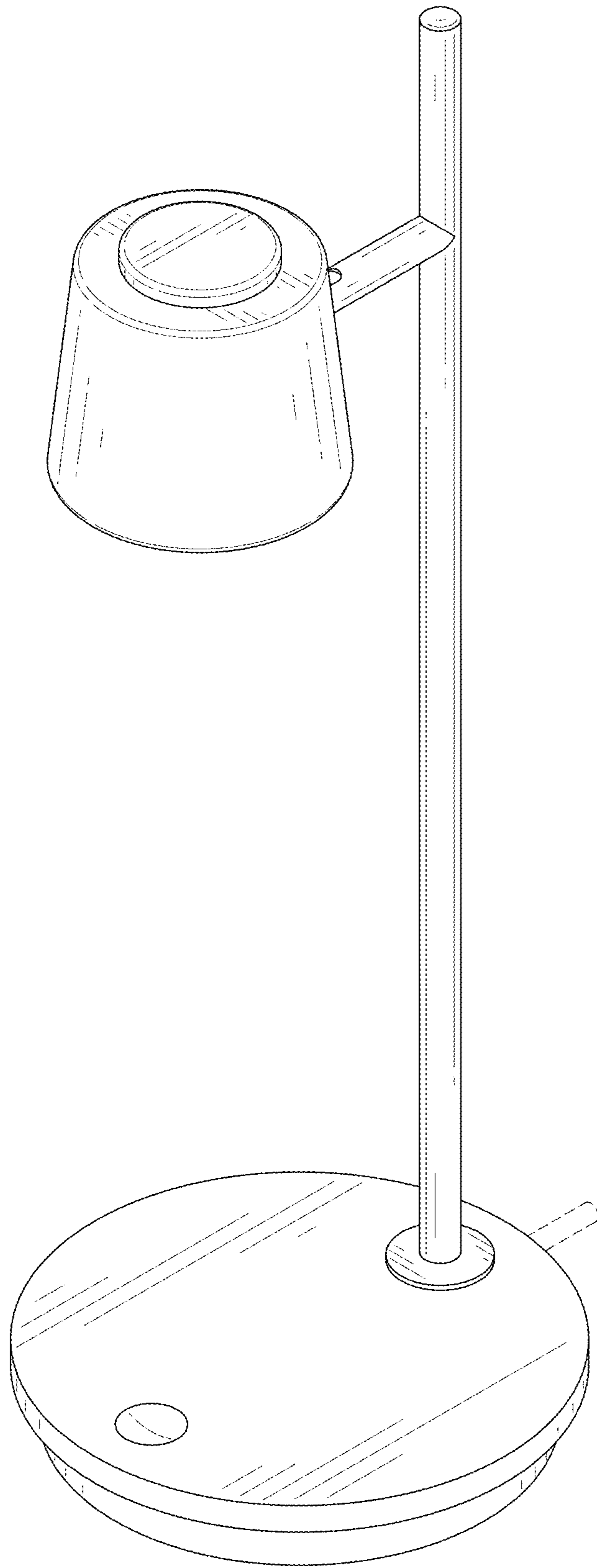


FIG. 1

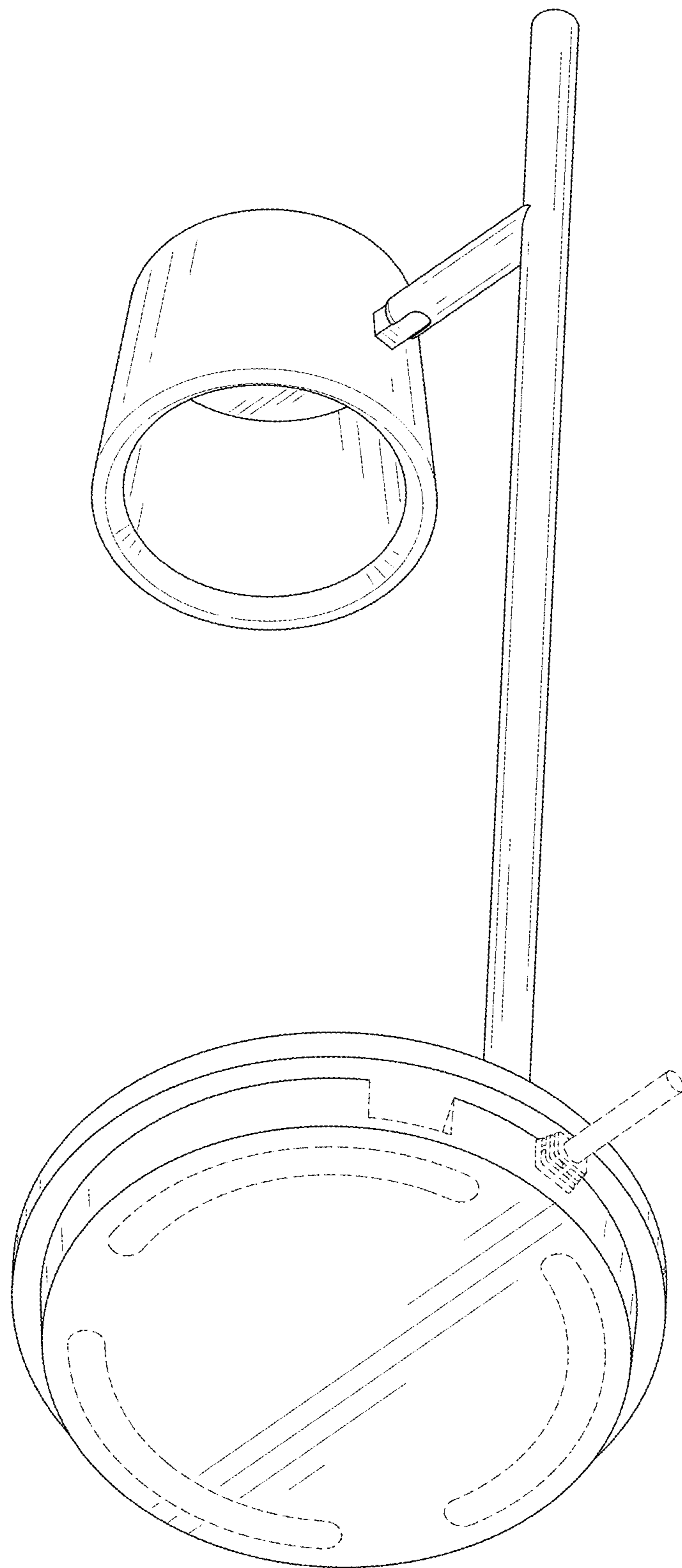


FIG. 2

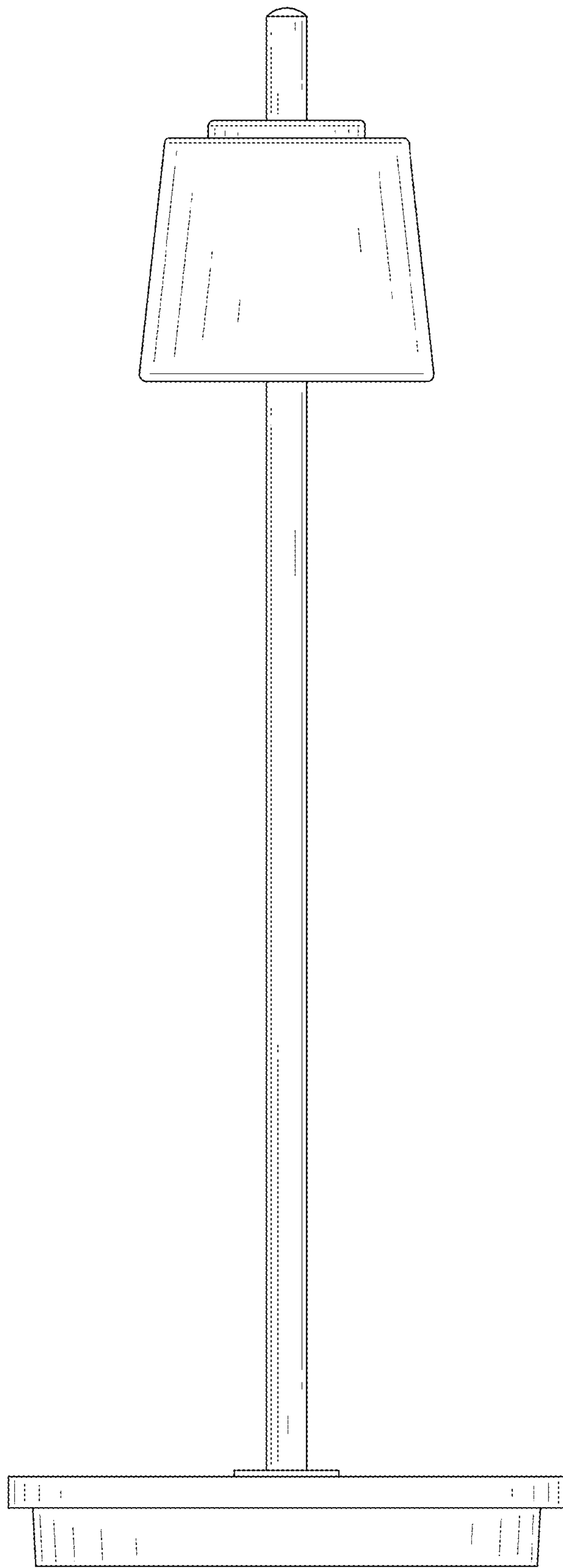


FIG. 3

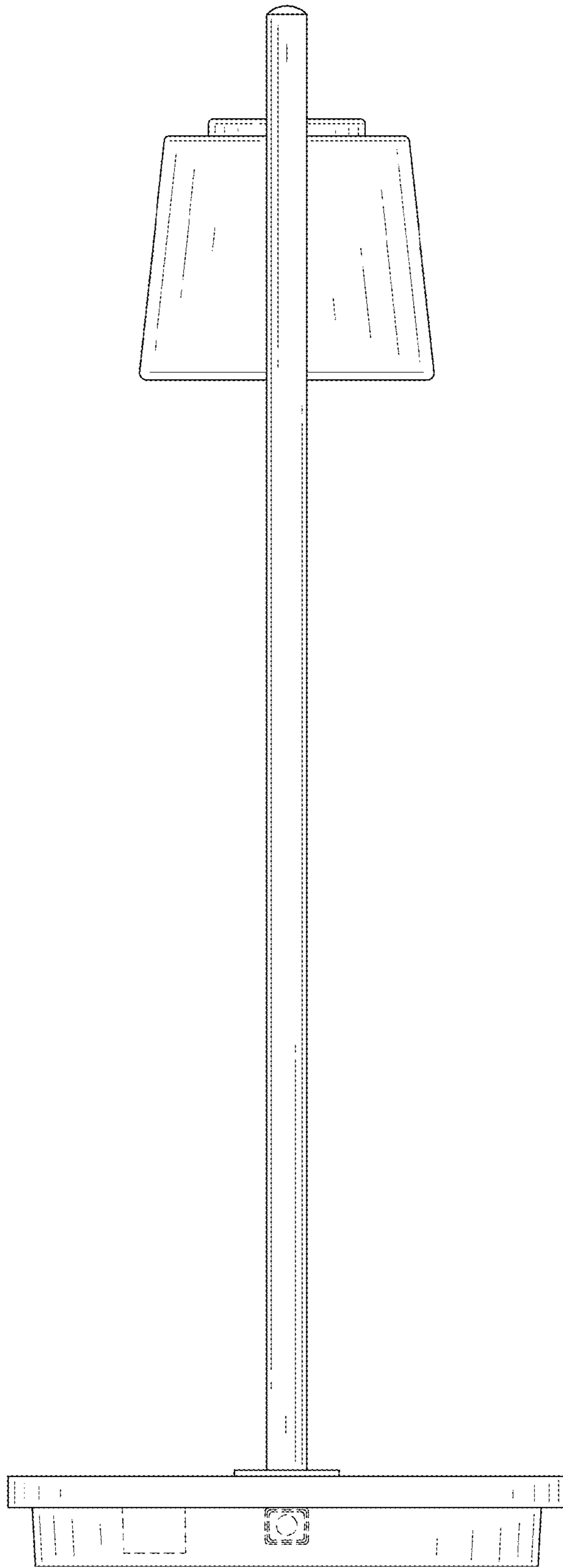


FIG. 4

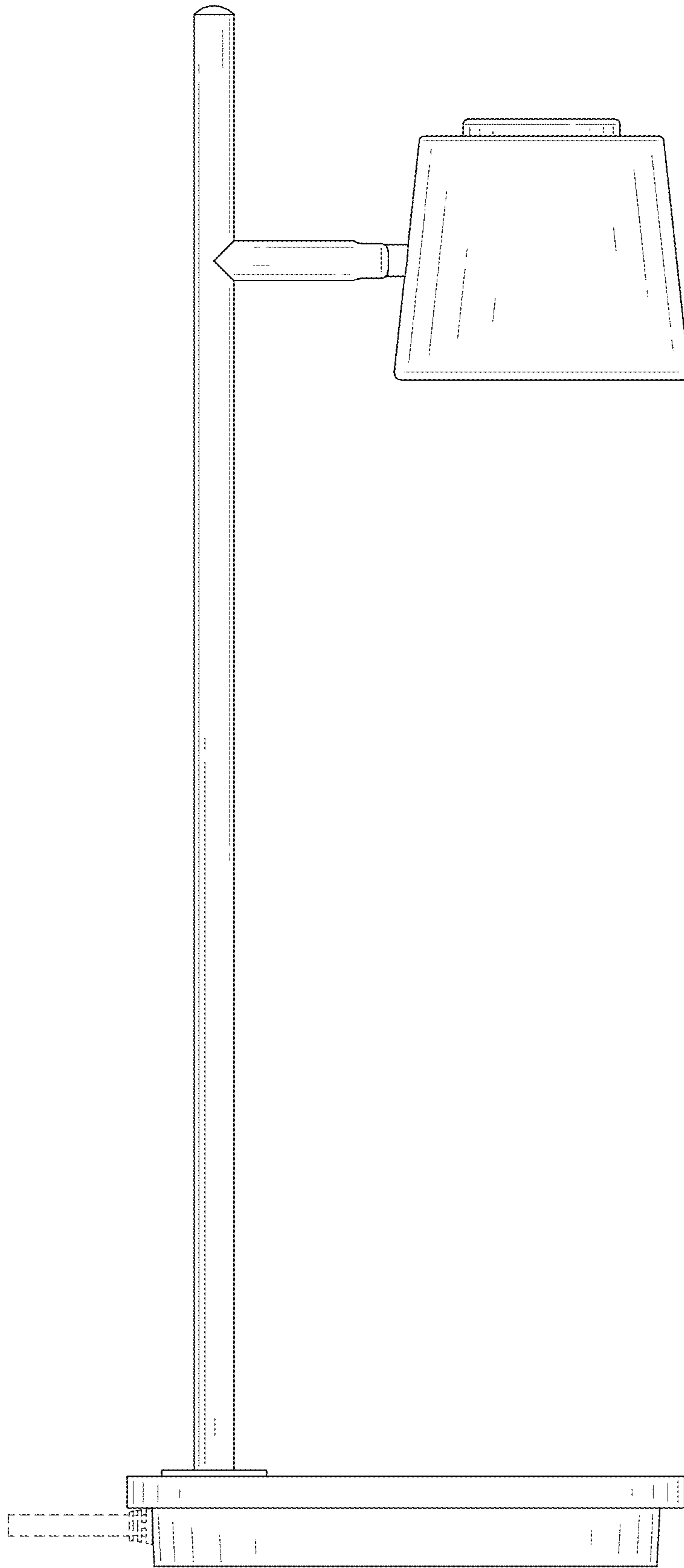


FIG. 5

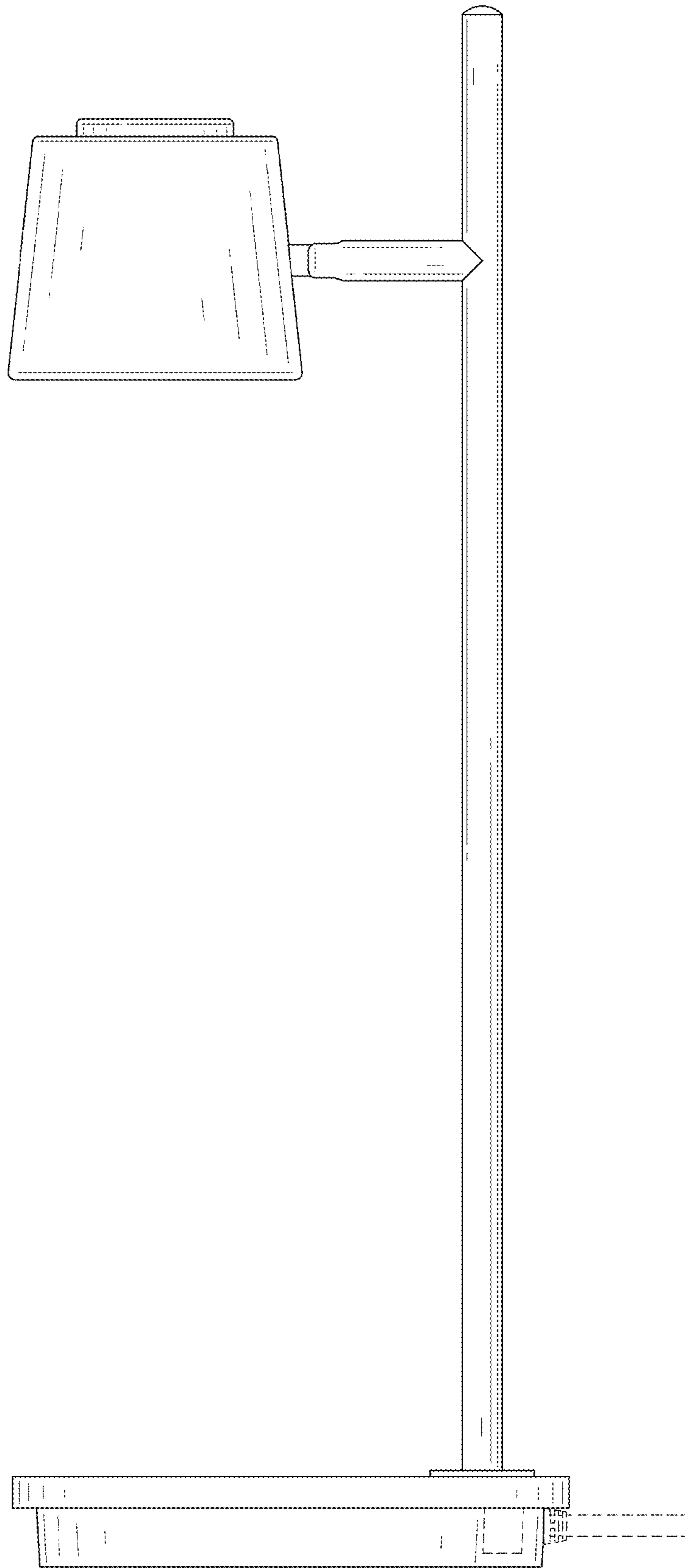


FIG. 6

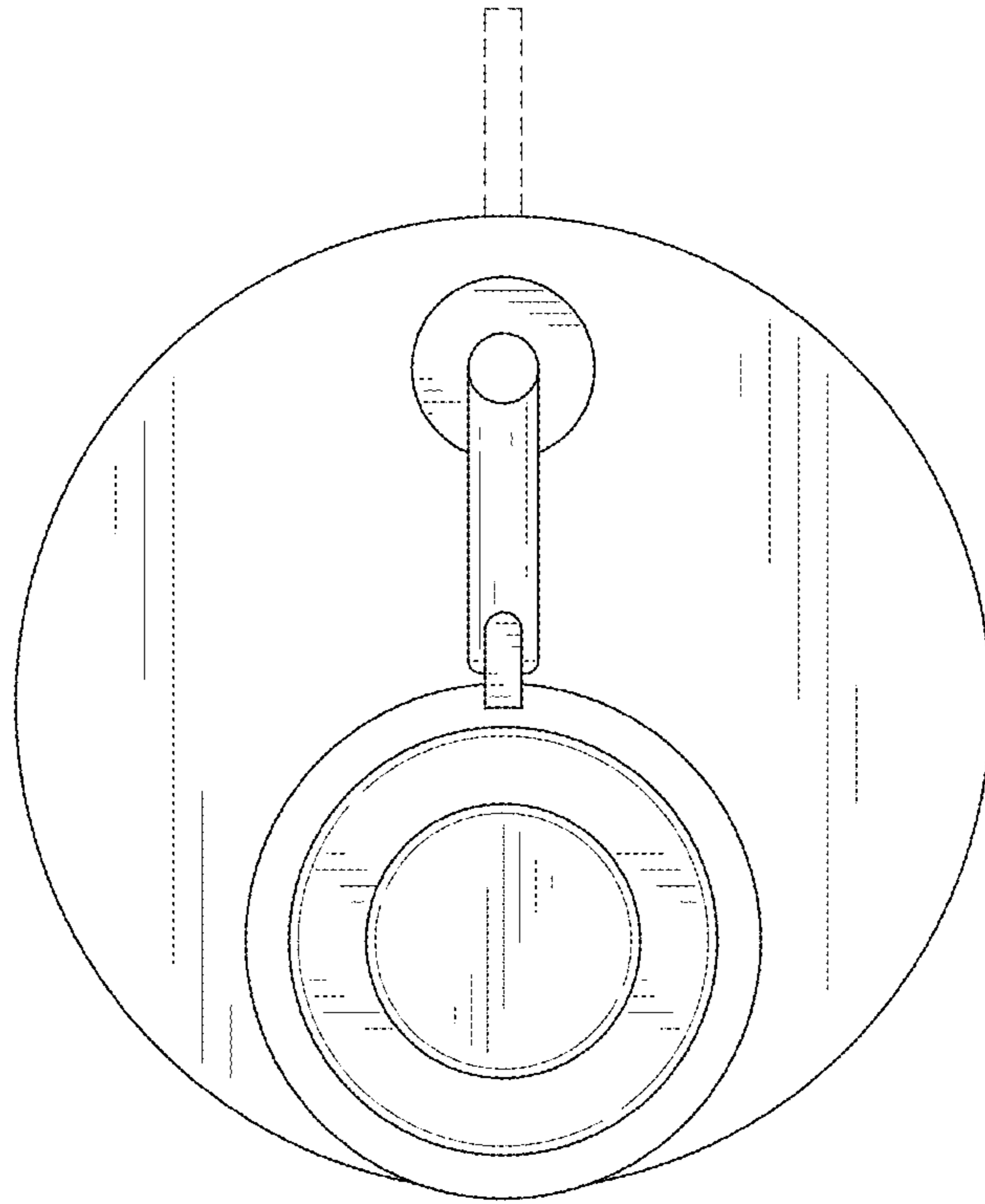


FIG. 7

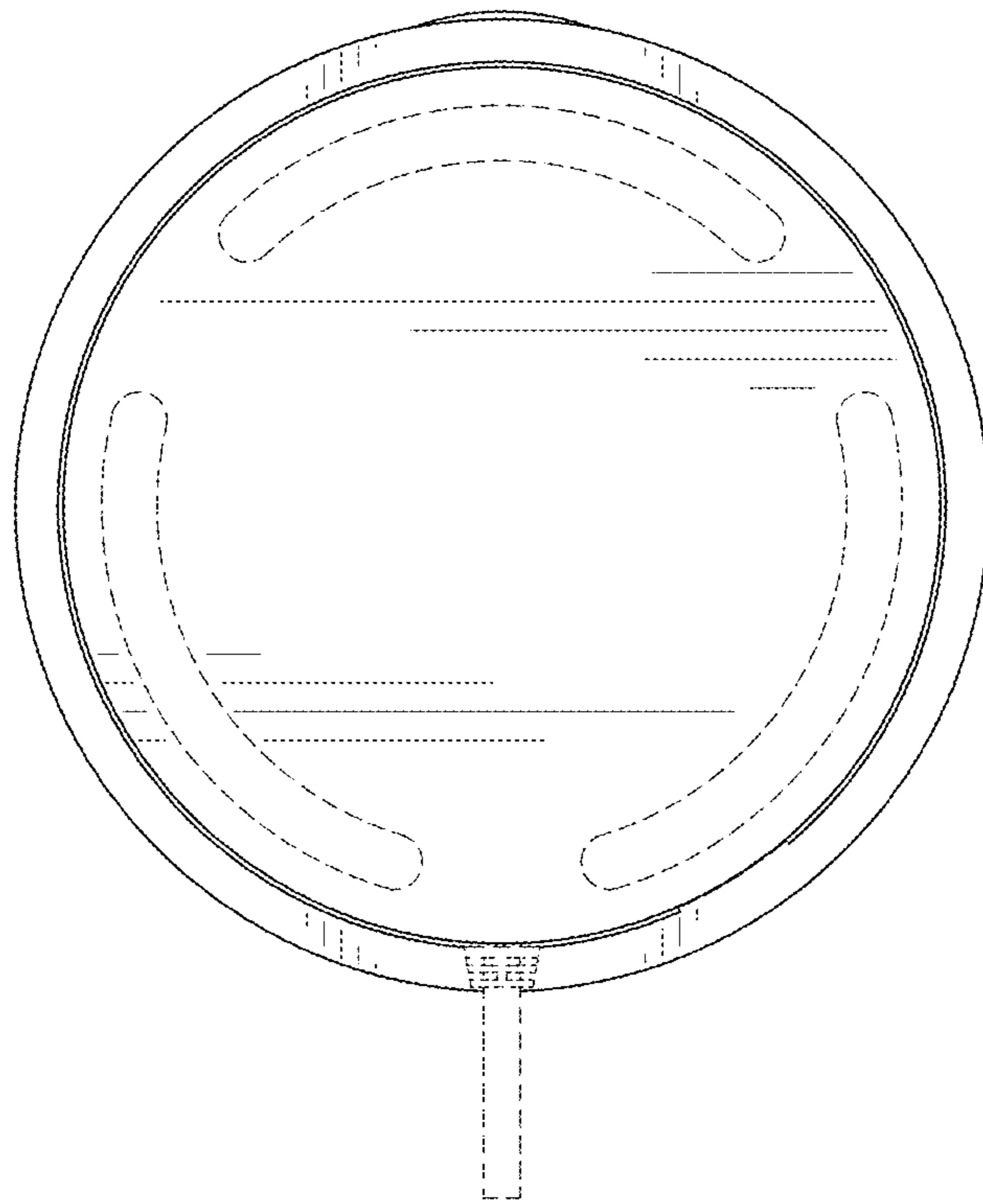


FIG. 8