



US00D898980S

(12) **United States Design Patent** (10) **Patent No.:** **US D898,980 S**  
**Cai** (45) **Date of Patent:** **\*\* Oct. 13, 2020**

(54) **LOW PROFILE CANOPY LED LIGHT FIXTURE**

(71) Applicant: **RAB Lighting Inc.**, Northvale, NJ (US)

(72) Inventor: **Weicheng Cai**, Longnan Town (CN)

(73) Assignee: **RAB Lighting Inc.**, Northvale, NJ (US)

(\*\*) Term: **15 Years**

(21) Appl. No.: **29/679,126**

(22) Filed: **Feb. 1, 2019**

(51) **LOC (12) Cl.** ..... **26-03**

(52) **U.S. Cl.**  
USPC ..... **D26/89**

(58) **Field of Classification Search**  
USPC ..... D26/72, 80, 84, 85, 89  
CPC ..... F21S 8/03; F21S 8/04; F21S 8/043; F21S 8/086

See application file for complete search history.

(56) **References Cited**

**U.S. PATENT DOCUMENTS**

2,701,840 A	2/1955	Carlson	
3,038,062 A	4/1961	Liberman	
D211,820 S *	7/1968	Pettengill	D26/85
D212,899 S	12/1968	Vesely et al.	
D221,181 S *	7/1971	Bobrick	D26/85
D221,351 S	8/1971	Remington	
3,671,739 A	6/1972	McCain	
4,071,749 A	1/1978	Balogh	
D249,291 S *	9/1978	Pemberton	D26/85

(Continued)

**OTHER PUBLICATIONS**

RAB Lighting 52W VANLED Cool LED Drop Lens Bronze Canopy Light available at amazon.com Aug. 23, 2015. (Year: 2015).\*

(Continued)

*Primary Examiner* — Clare E Heflin

(74) *Attorney, Agent, or Firm* — Frost Brown Todd LLC; Dennis S. Schell; Kevin C. Oschman

(57) **CLAIM**

The ornamental design for a low profile canopy LED light fixture, as shown and described.

**DESCRIPTION**

FIG. 1 is a bottom perspective view of a first embodiment of the new design;

FIG. 2 is a right side view of the first embodiment of the new design, the left side view being a mirror image;

FIG. 3 is a top perspective view of both embodiments of the new design;

FIG. 4 is a front view of the first embodiment of the new design;

FIG. 5 is a rear view of the first embodiment of the new design;

FIG. 6 is a top view of both embodiments of the new design; FIG. 7 is a bottom view of the first embodiment of the new design;

FIG. 8 is a bottom perspective view of a second embodiment of the new design;

FIG. 9 is a right side view of the second embodiment of the new design, the left side view being a mirror image;

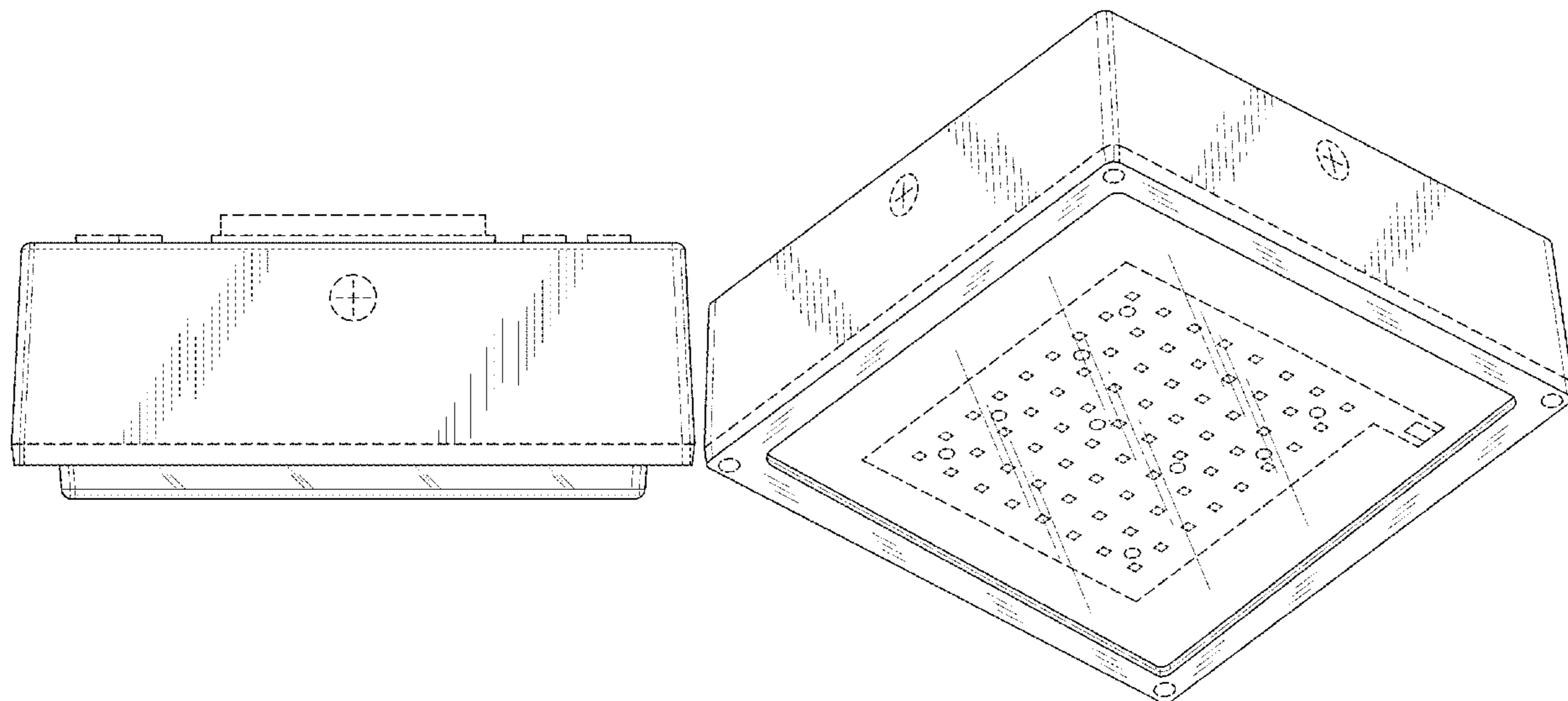
FIG. 10 is a front view of the second embodiment of the new design;

FIG. 11 is a rear view of the second embodiment of the new design; and,

FIG. 12 is a bottom view of the second embodiment of the new design.

The broken lines shown on the drawings depict portions of the light fixture that form no part of the claimed design.

**1 Claim, 7 Drawing Sheets**



(56)

**References Cited**

U.S. PATENT DOCUMENTS

4,507,719 A \* 3/1985 Quiogue ..... F21V 29/15  
 362/147  
 D286,579 S 11/1986 Pugh et al.  
 D309,956 S 8/1990 Sikora et al.  
 D313,863 S 1/1991 Macaluso  
 5,228,773 A 7/1993 Win  
 D443,713 S 6/2001 Benensohn  
 6,394,628 B1 5/2002 Wang  
 D634,055 S 3/2011 Hokazono et al.  
 D637,752 S \* 5/2011 Mekhtarian ..... D26/72  
 D639,996 S 6/2011 Stolte et al.  
 D655,853 S 3/2012 Kim et al.  
 D656,654 S \* 3/2012 Wauters ..... D26/89  
 D686,363 S 7/2013 Smith  
 D702,393 S 4/2014 Ansierowicz et al.  
 D707,383 S \* 6/2014 Carraher ..... D26/89  
 D722,194 S \* 2/2015 Guercio ..... D26/89

D722,195 S \* 2/2015 Highbridge ..... D26/89  
 D785,225 S \* 4/2017 Gan ..... D26/72  
 2006/0056169 A1 3/2006 Lodhie et al.  
 2011/0026249 A1\* 2/2011 Wylde ..... F21V 7/0025  
 362/240  
 2014/0376227 A1\* 12/2014 Schubert ..... F21V 17/107  
 362/249.02  
 2015/0167948 A1\* 6/2015 Wasserman ..... F21S 2/005  
 362/249.01

OTHER PUBLICATIONS

RAB Lighting VANLED20F with flat lens. RAB Lighting, Inc. spec  
 sheet © 2014 (Year: 2014).\*  
 VANLED Installation Instruction from RAB Lighting, Inc. © 2015  
 (Year: 2015).\*  
 RUDD Lighting Inc., PKG-304-5M-DM 304 Series LED Parking  
 Structure-Type V Medium, Feb. 2, 2012, Racine, WI.

\* cited by examiner

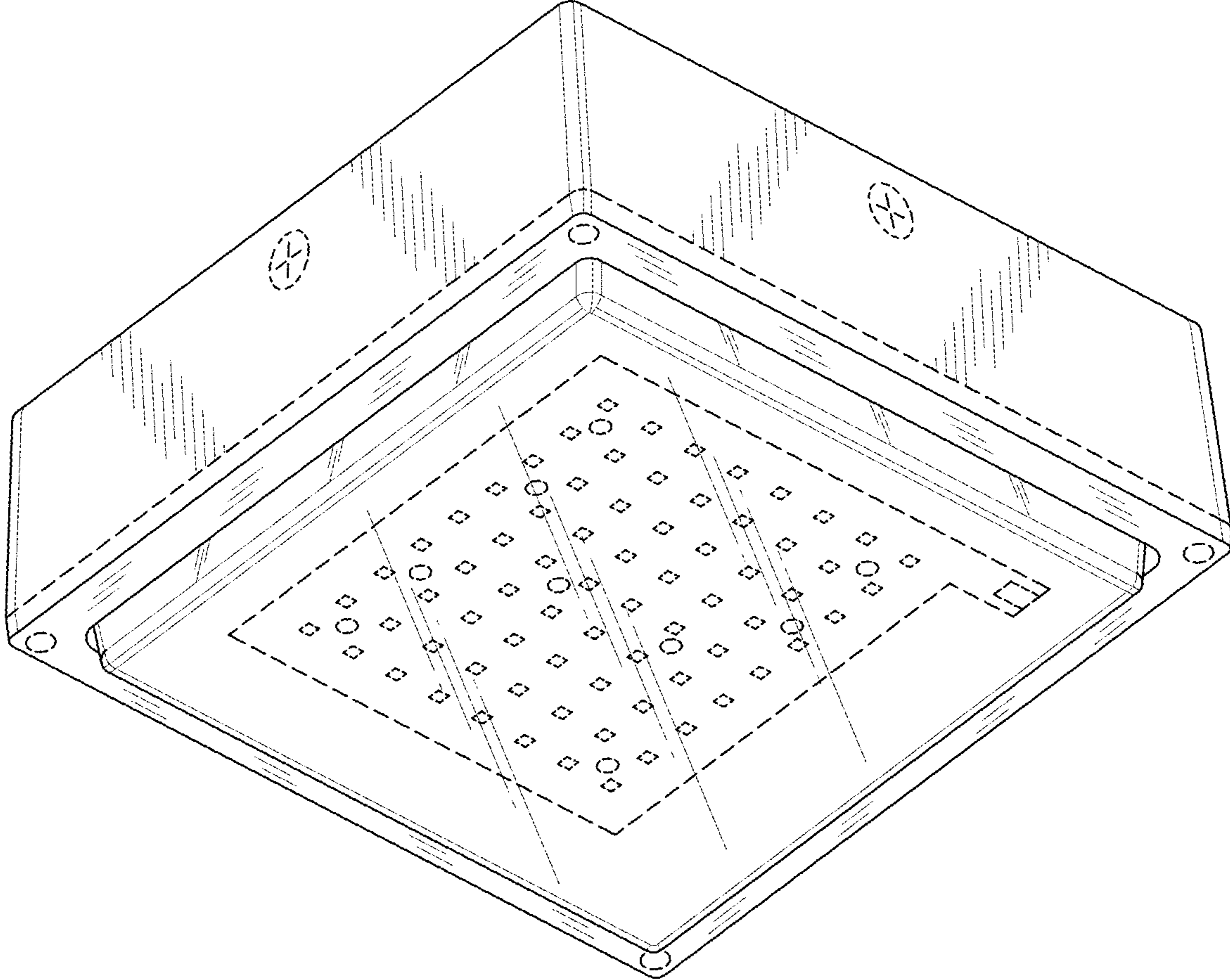


Fig. 1

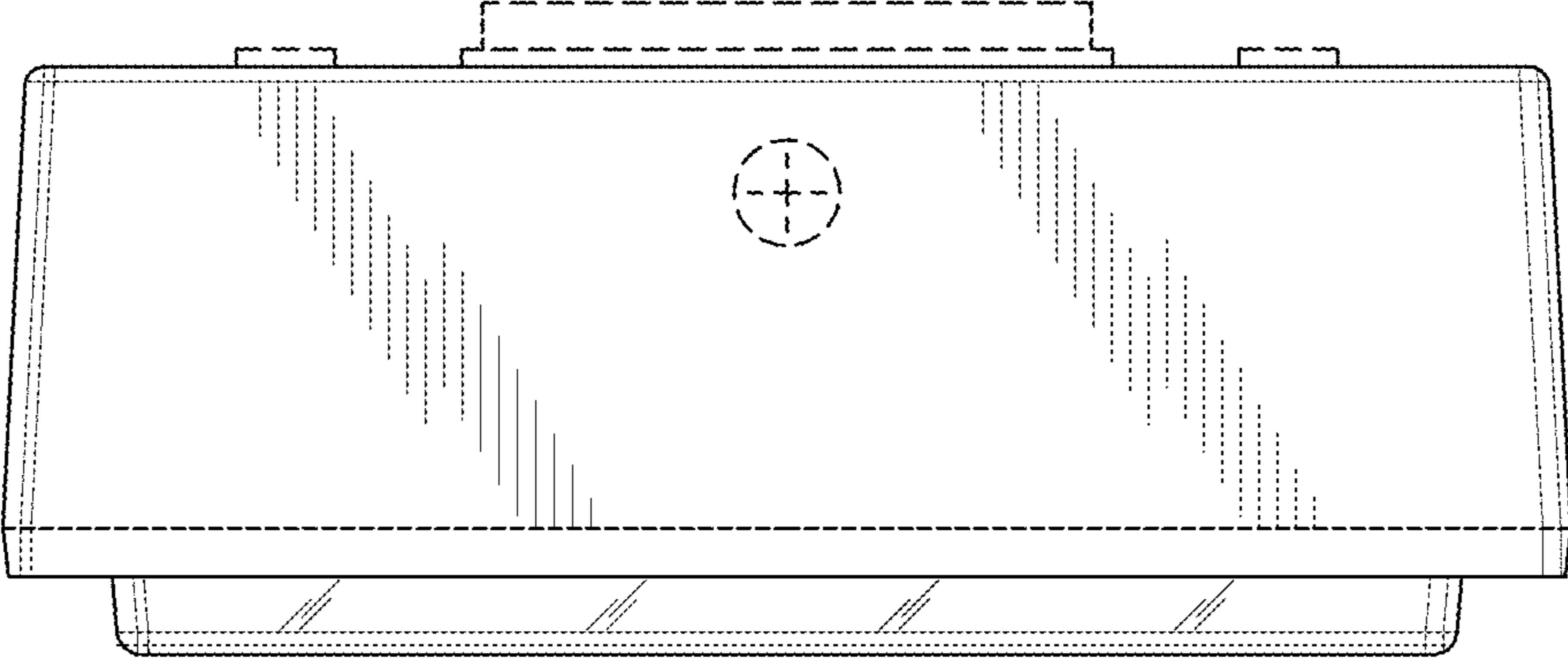


Fig. 2

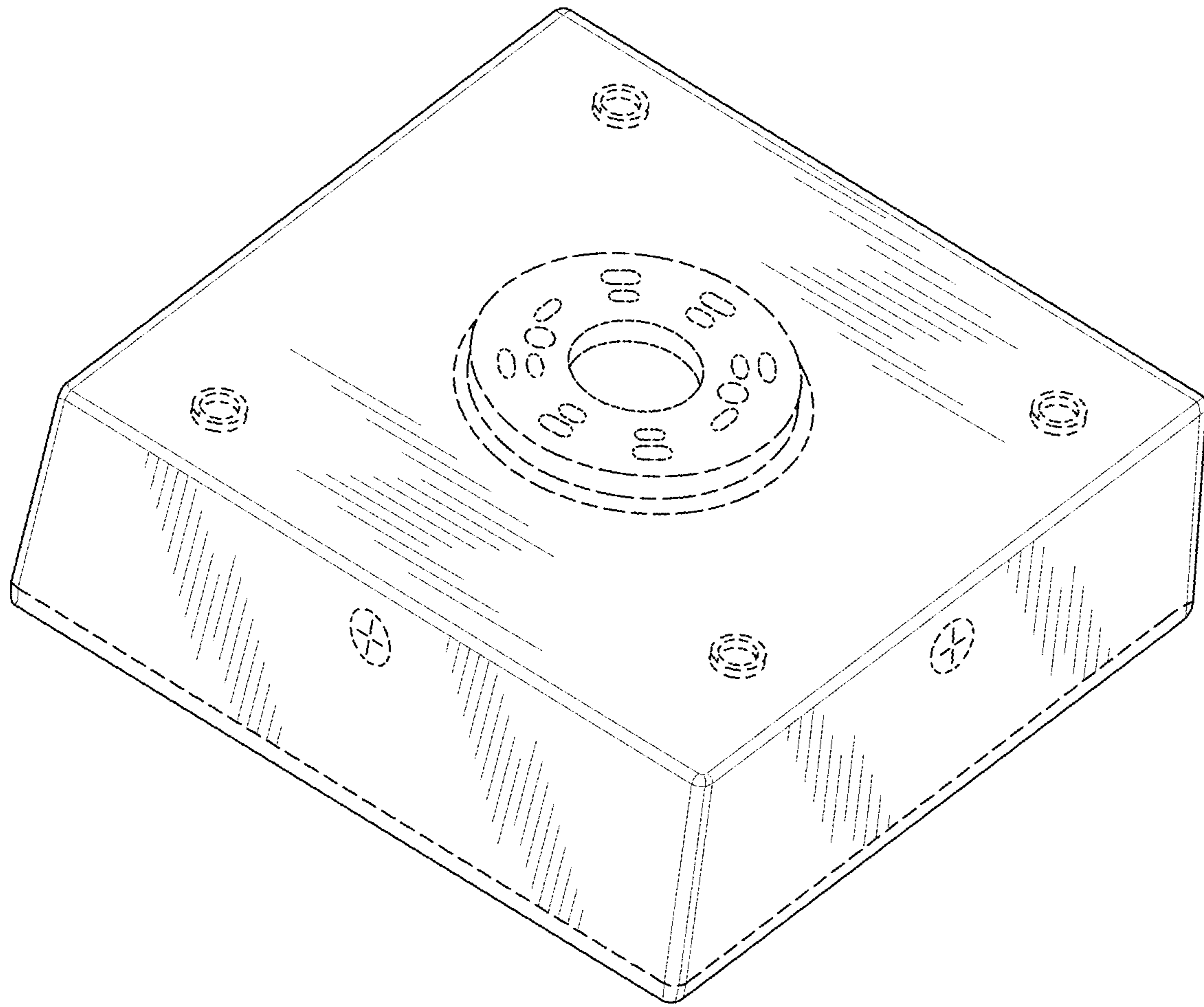


Fig. 3

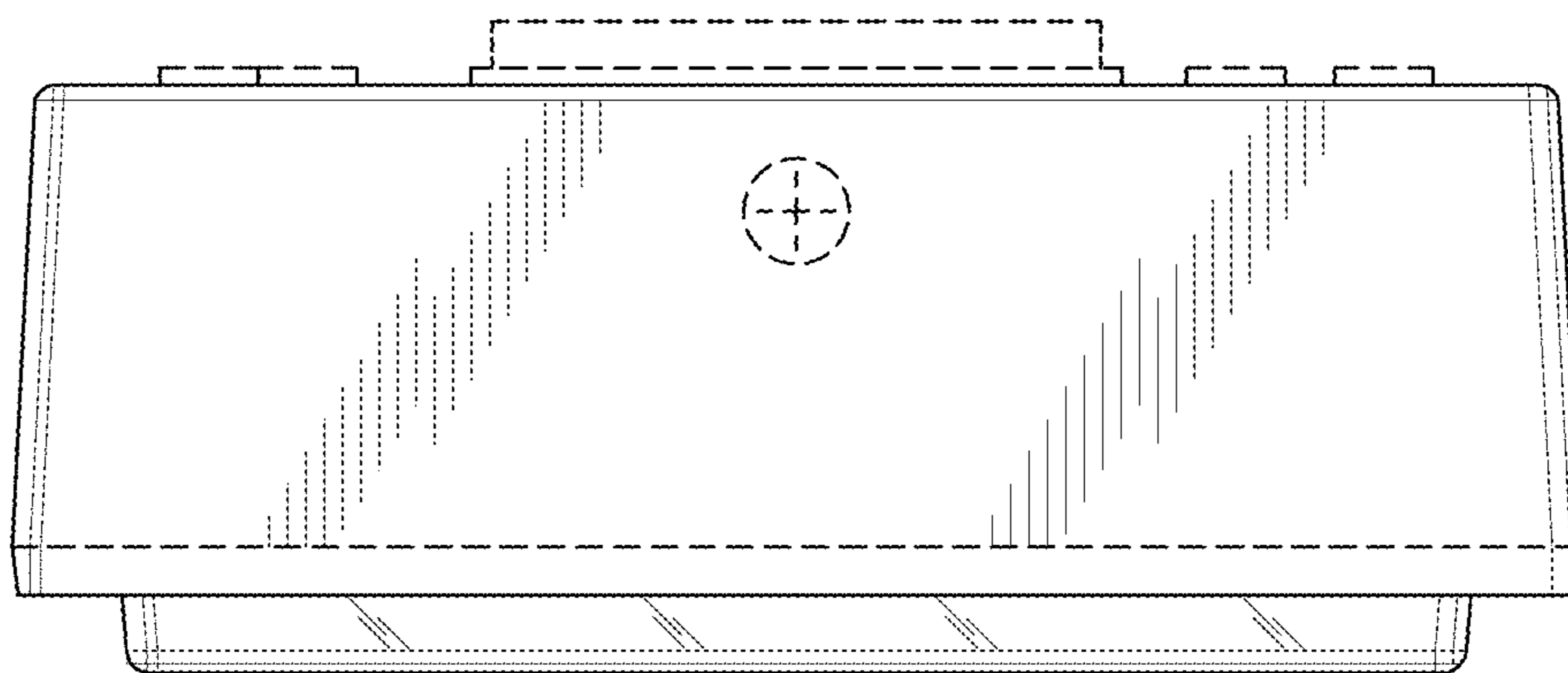


Fig. 4

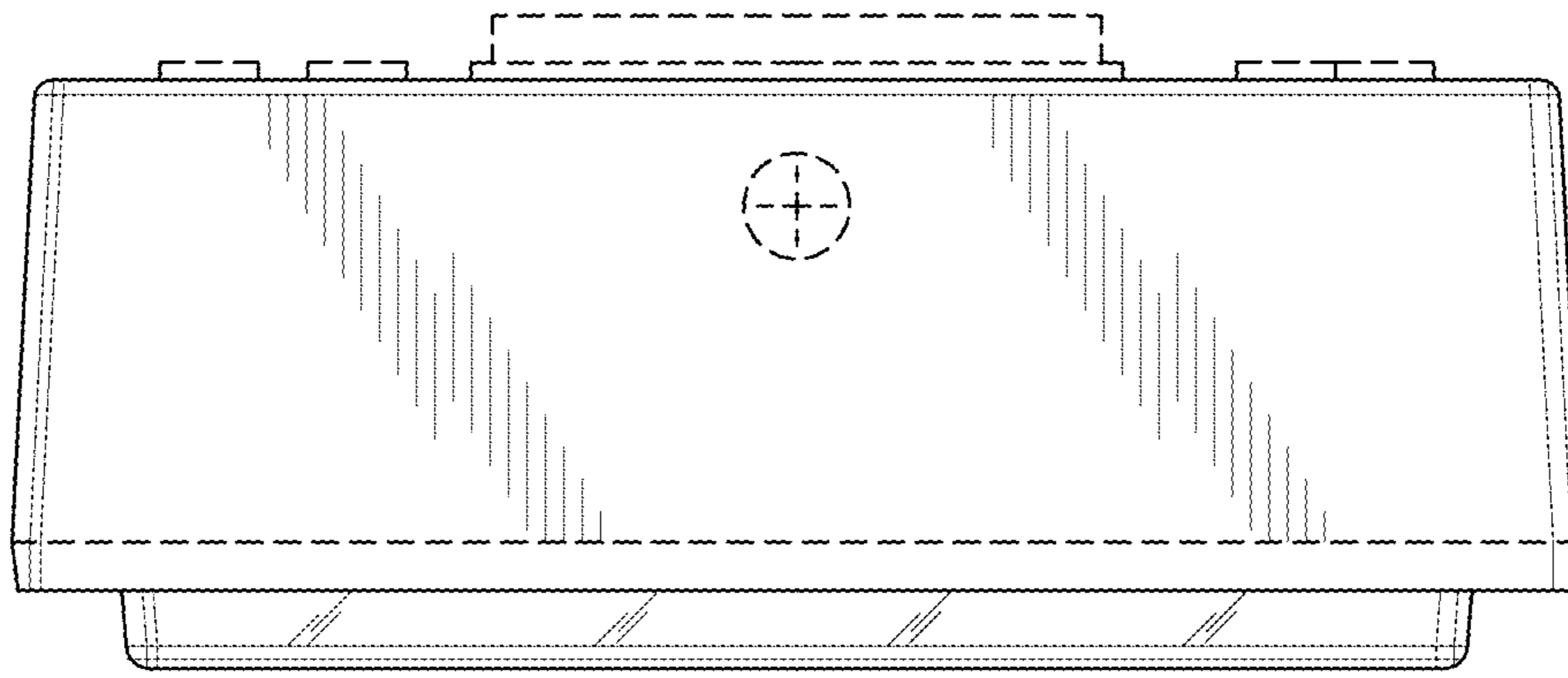


Fig. 5

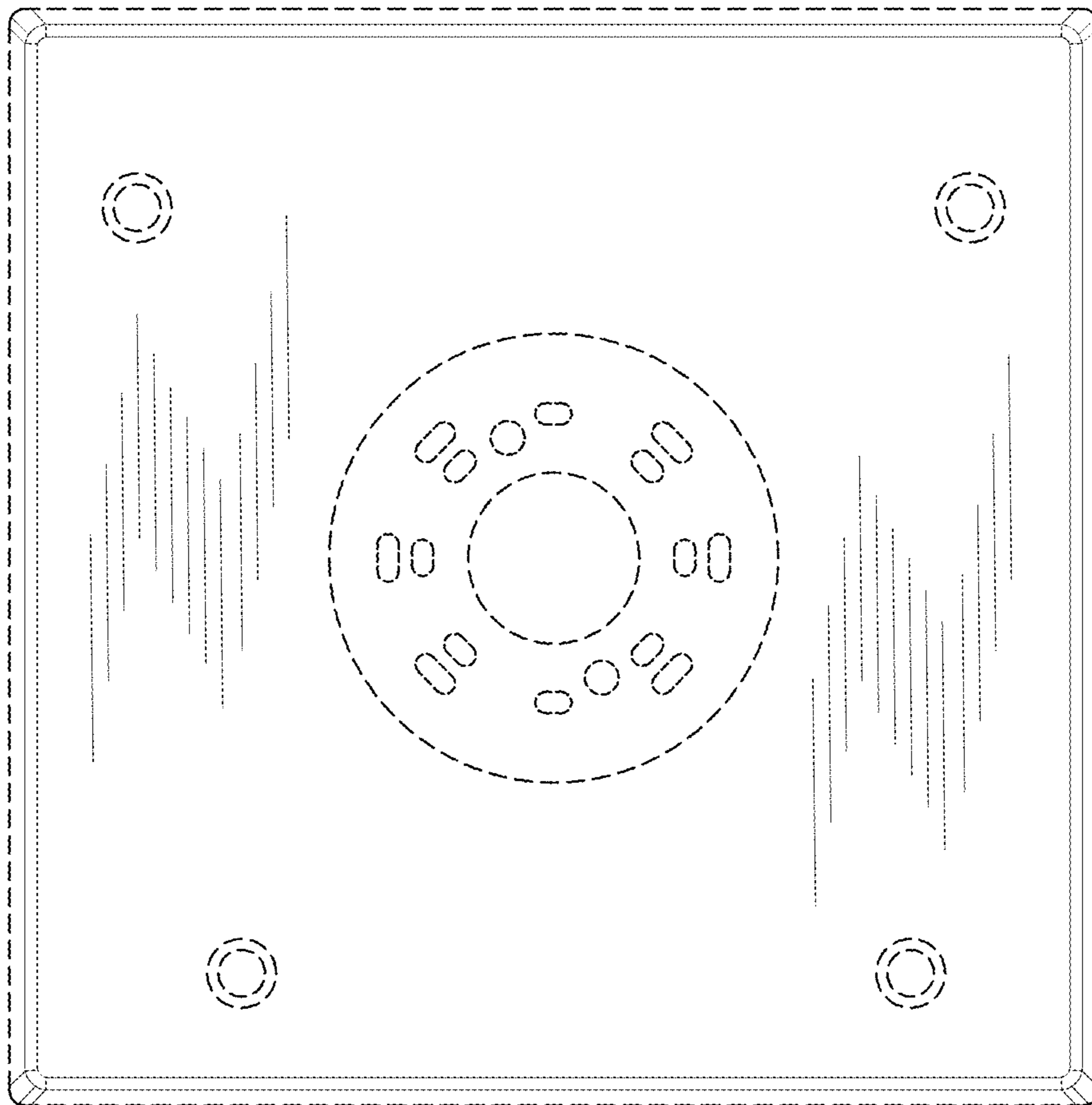


Fig. 6

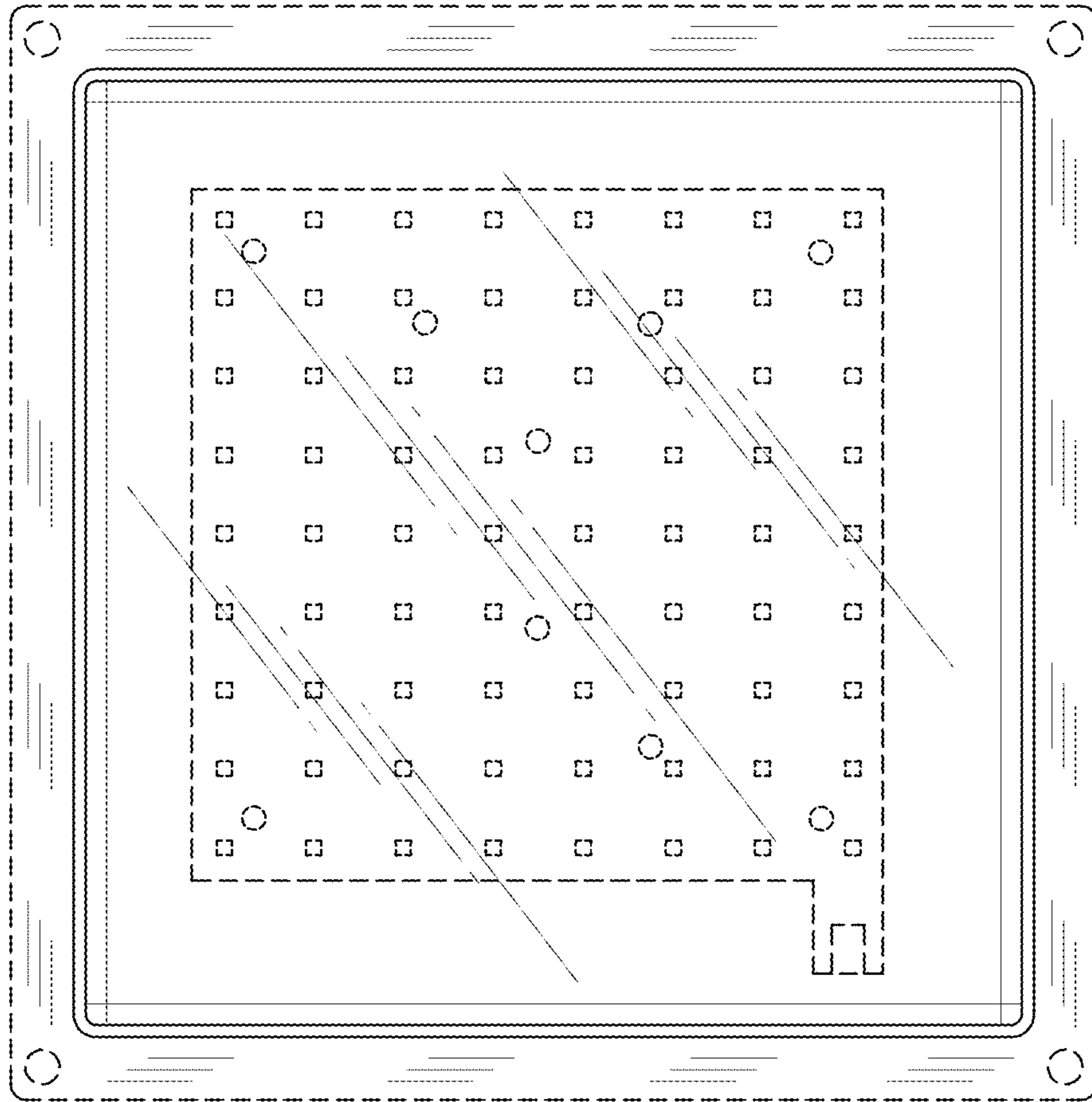


Fig. 7

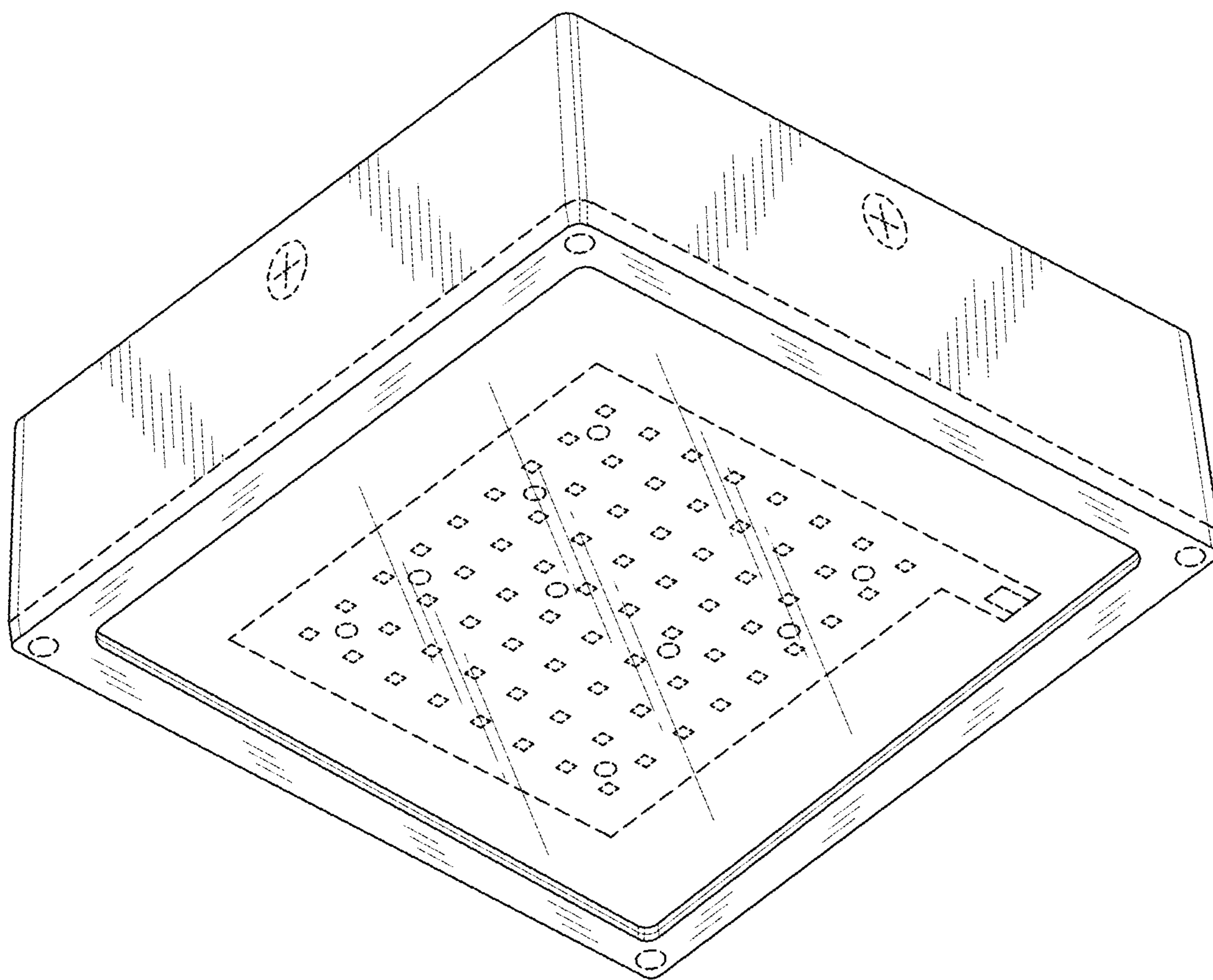


Fig. 8

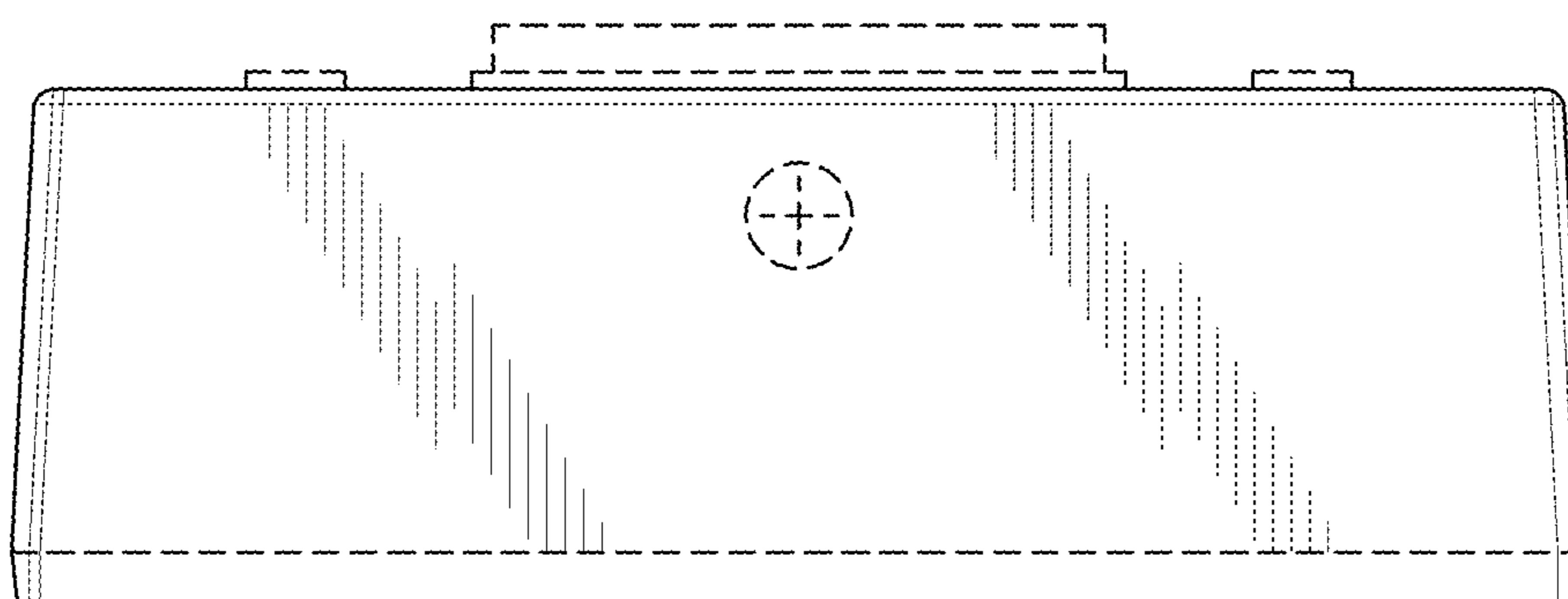


Fig. 9

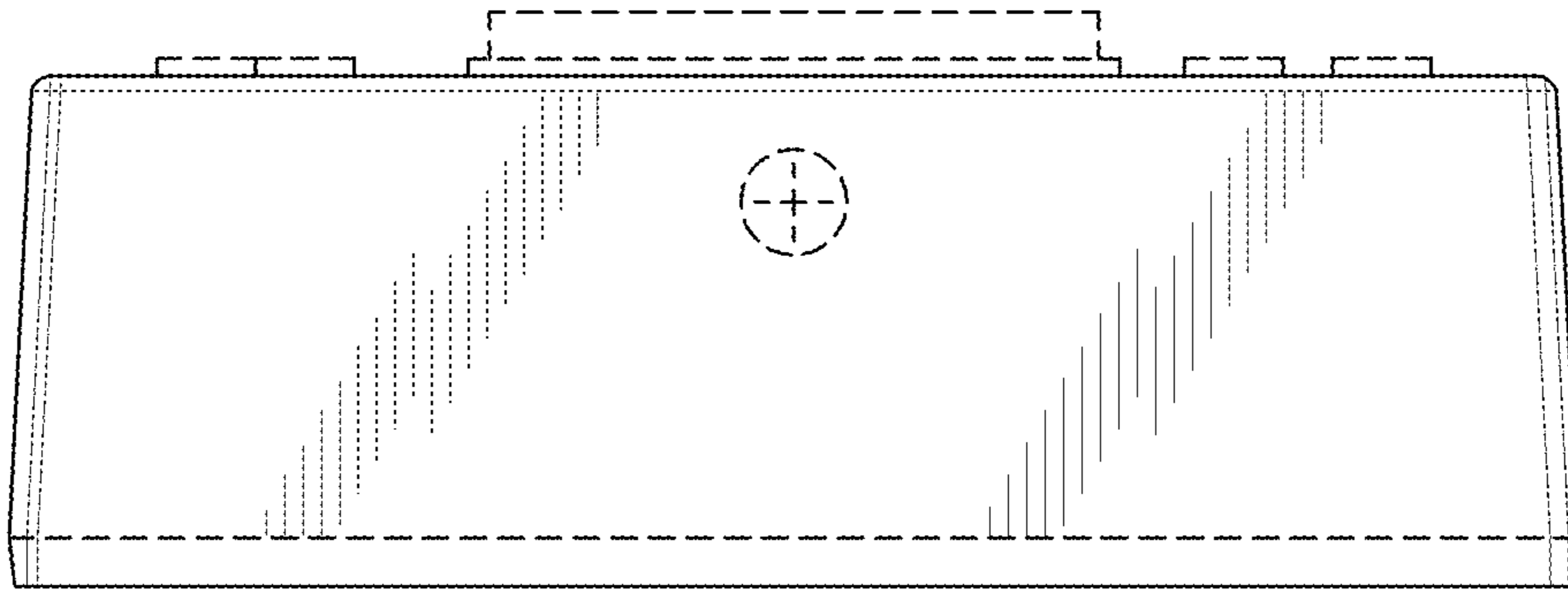


Fig. 10

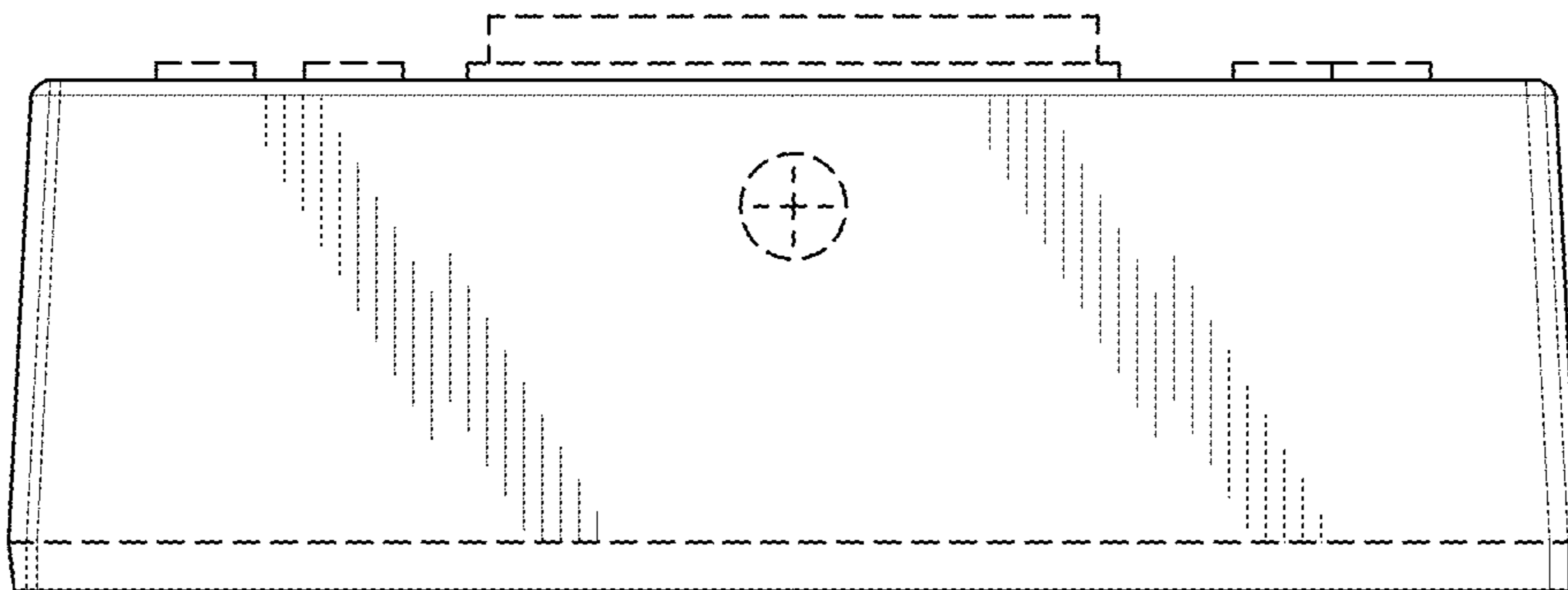


Fig. 11



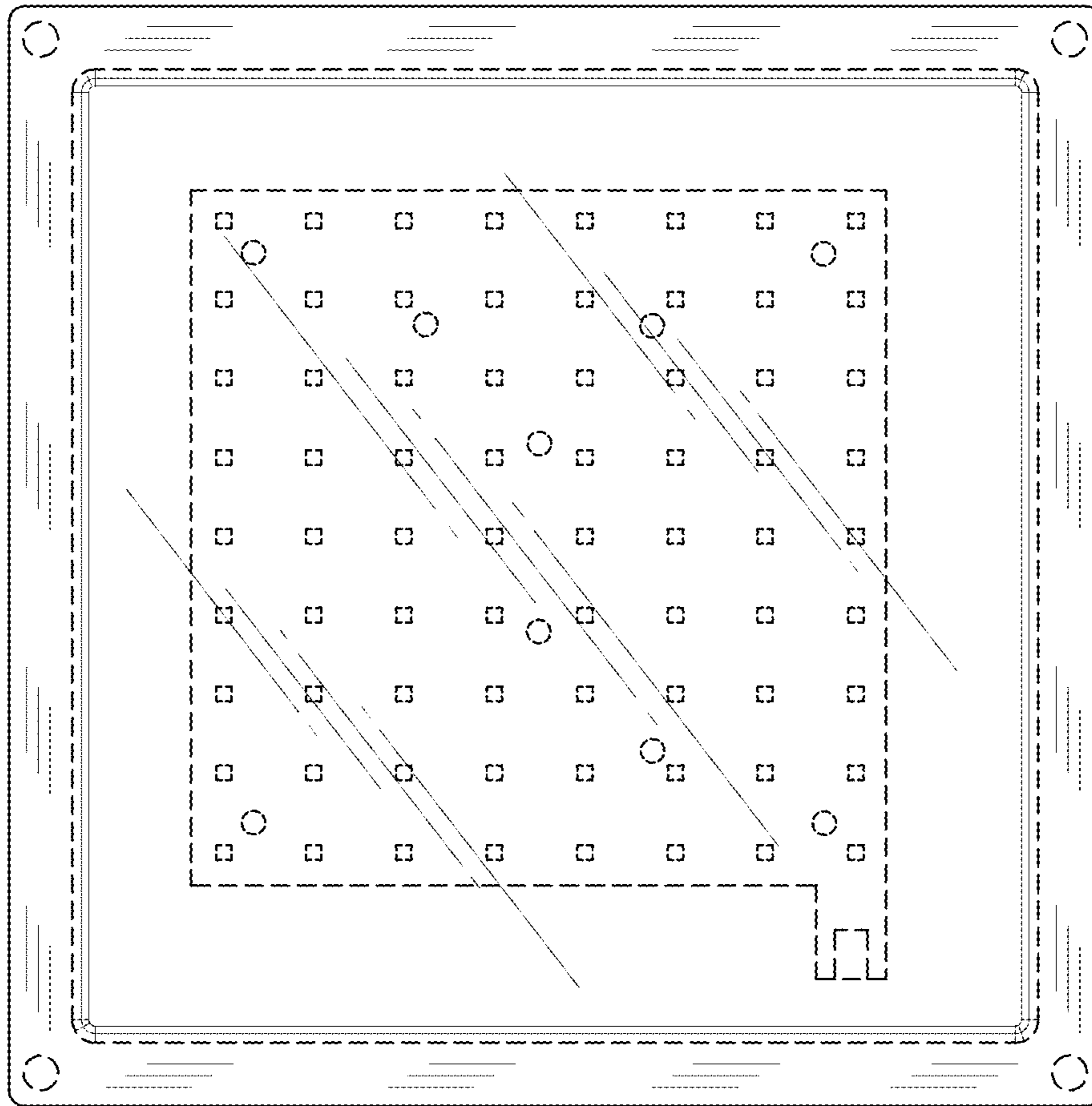


Fig. 12