



US00D898978S

(12) **United States Design Patent**
Xu

(10) **Patent No.:** **US D898,978 S**

(45) **Date of Patent:** **** Oct. 13, 2020**

(54) **LAMP**

(71) Applicant: **Jiangying Xu**, Shenzhen (CN)

(72) Inventor: **Jiangying Xu**, Shenzhen (CN)

(**) Term: **15 Years**

(21) Appl. No.: **29/733,689**

(22) Filed: **May 6, 2020**

(51) **LOC (12) Cl.** **26-03**

(52) **U.S. Cl.**
USPC **D26/82; D26/89**

(58) **Field of Classification Search**
USPC **D26/72, 80-89**
See application file for complete search history.

(56) **References Cited**

U.S. PATENT DOCUMENTS

1,622,548	A	*	3/1927	Spencer	F21S 8/04 362/247
D85,444	S	*	10/1931	Primekow	D26/84
D86,313	S	*	2/1932	Hollister	D26/88
D459,525	S	*	6/2002	Barry	D26/73
D469,562	S		1/2003	Crasset		
D558,386	S	*	12/2007	Bickler	D26/89
D755,432	S	*	5/2016	Orozco	D26/83
D769,506	S	*	10/2016	Orozco	D26/82
D825,812	S	*	8/2018	Wright	D26/81
D829,362	S	*	9/2018	Calvo	D26/88
D834,235	S	*	11/2018	Gambrel	D26/89
D844,881	S	*	4/2019	Gardner	D26/81
D887,619	S	*	6/2020	Chen	D26/88
2010/0027280	A1		2/2010	Chiu		
2018/0231240	A1		8/2018	Roca		

OTHER PUBLICATIONS

Farmhouse Chandelier for Dining Rooms,5-Lights 19" Wood from the Ruziniu Store available at amazon.com Aug. 27, 2019. (Year: 2019).*

Yobo Lighting Industrial Chain Hanging Pendant Light available at amazon.com Nov. 21, 2016. (Year: 2016).*

Koonting 2-Light Industrial Metal Cage Ceiling Light available at amazon.com Aug. 29, 2019. (Year: 2019).*

Baiwaiz Rustic Round Flush Mount Ceiling Light available at amazon.com Jun. 16, 2020. (Year: 2020).*

* cited by examiner

Primary Examiner — Clare E Heflin

(57) **CLAIM**

The ornamental design for a lamp, as shown and described.

DESCRIPTION

FIG. 1 is a perspective view of a lamp showing my new design;

FIG. 2 is another perspective view thereof;

FIG. 3 is a front elevational view thereof;

FIG. 4 is a rear elevational view thereof;

FIG. 5 is a left side elevational view thereof;

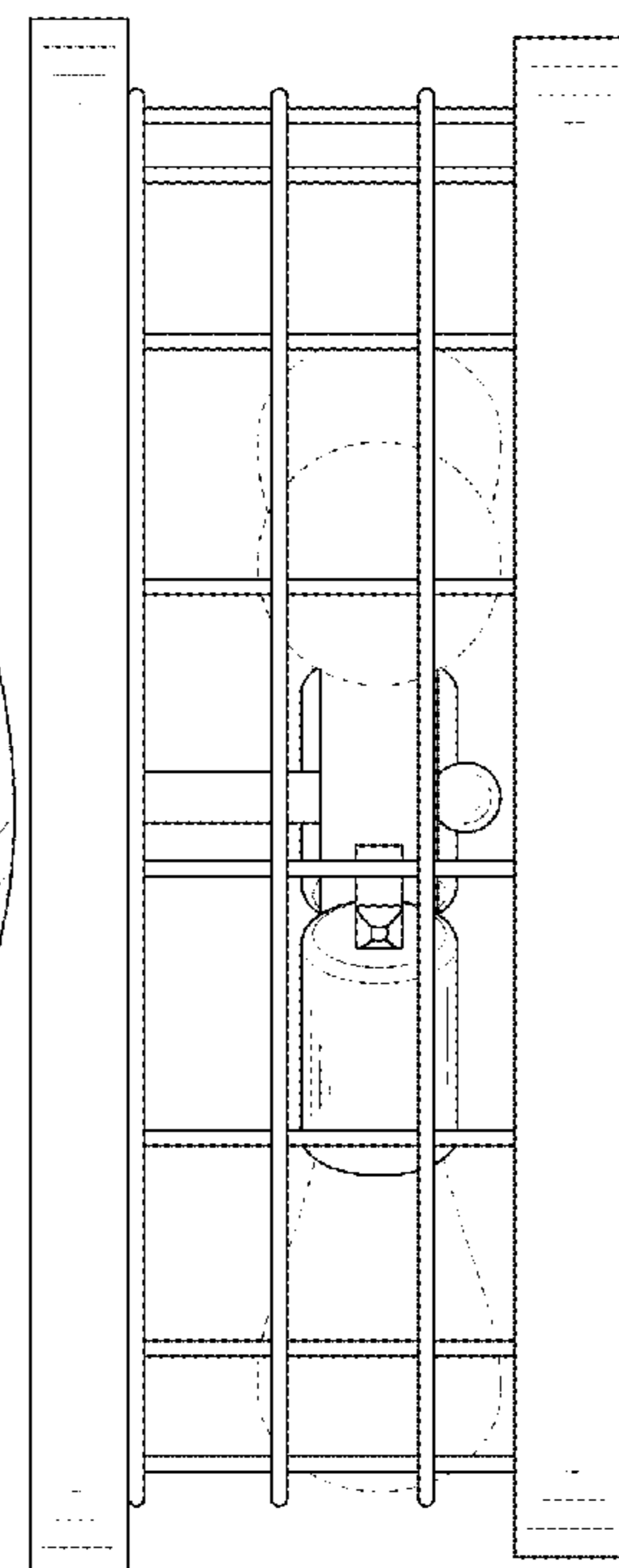
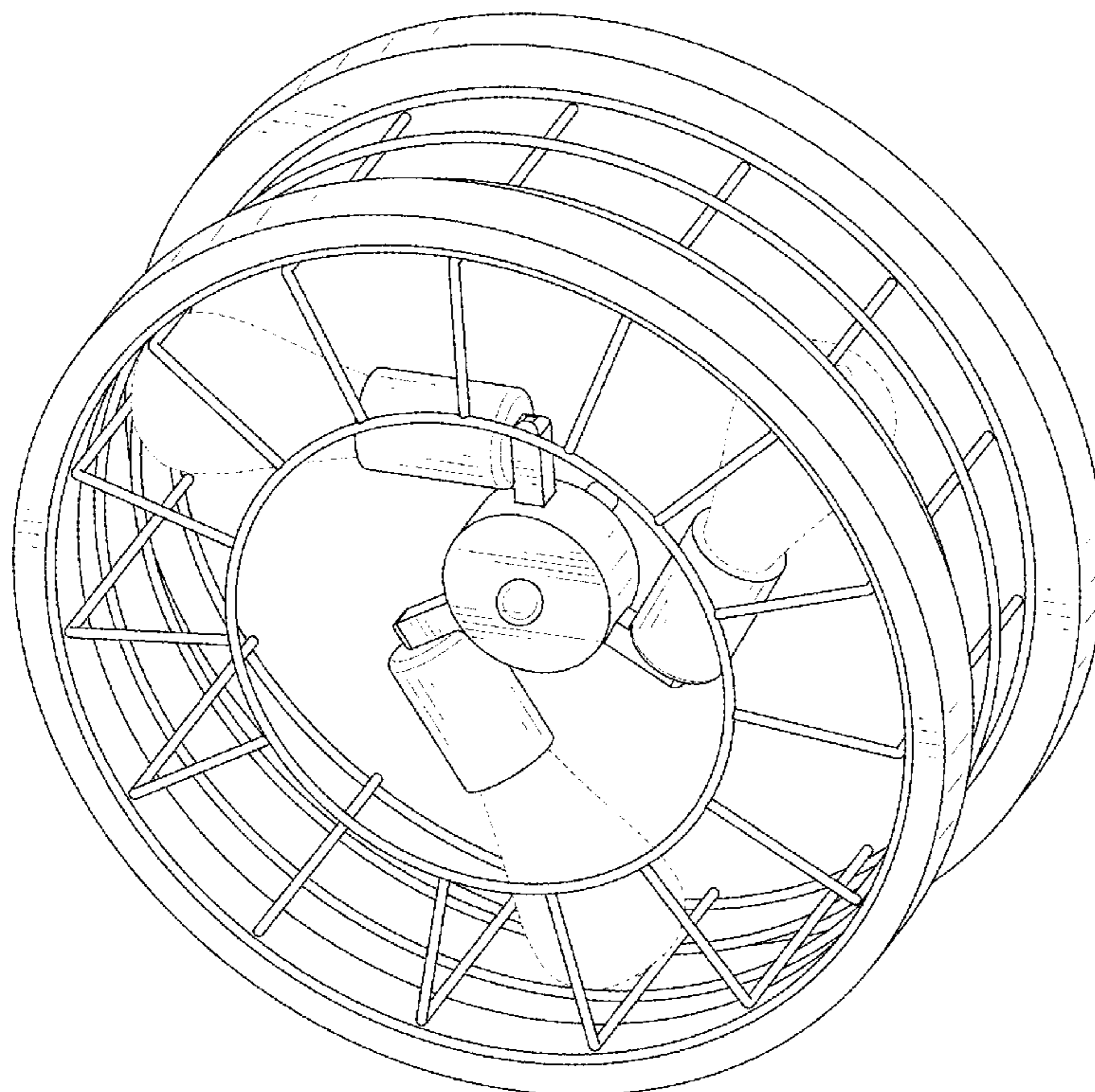
FIG. 6 is a right side elevational view thereof;

FIG. 7 is a top plan view thereof; and,

FIG. 8 is a bottom plan view thereof.

The broken lines in the drawings depict portions of the lamp that form no part of the claimed design.

1 Claim, 8 Drawing Sheets



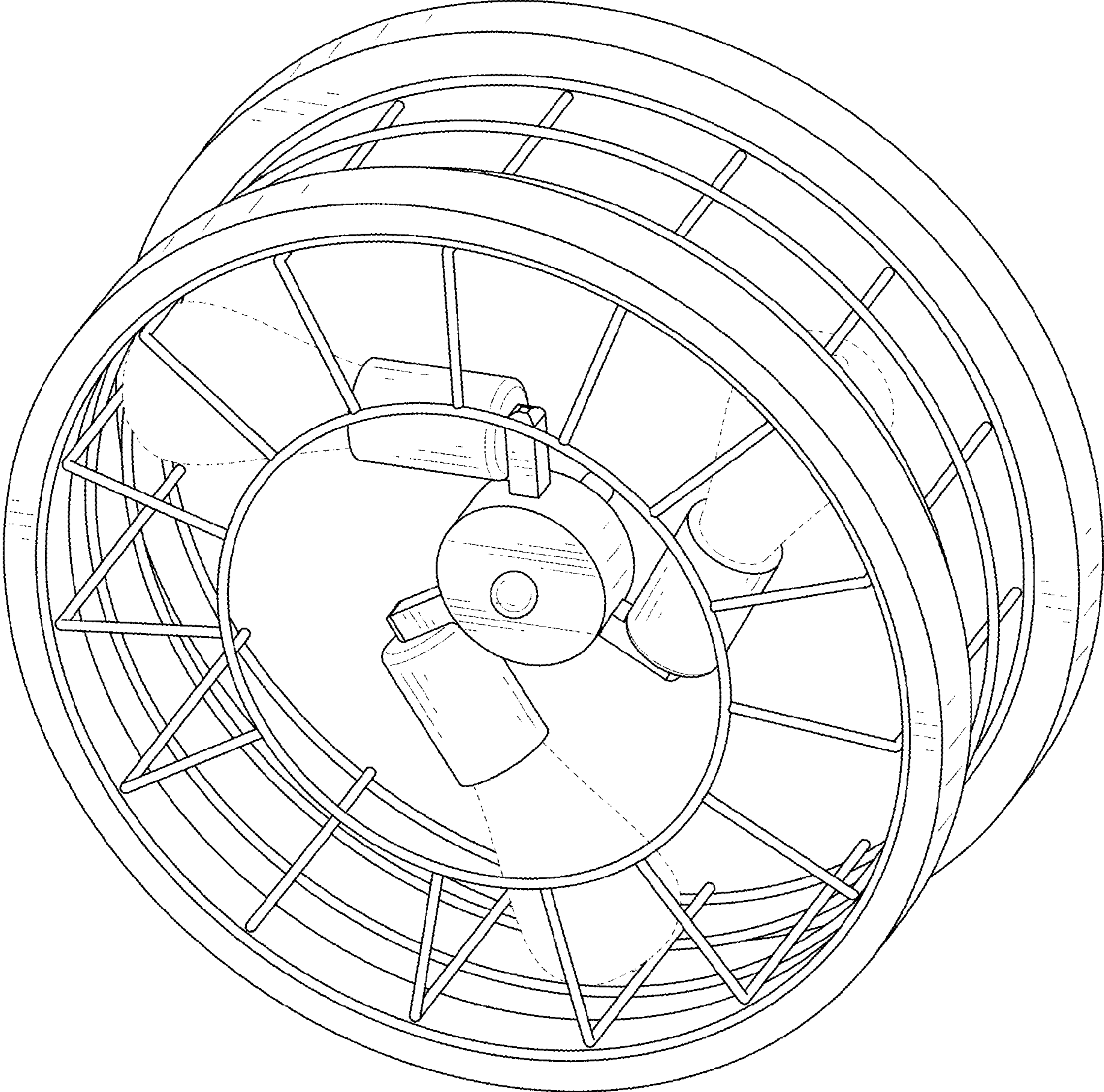


FIG. 1

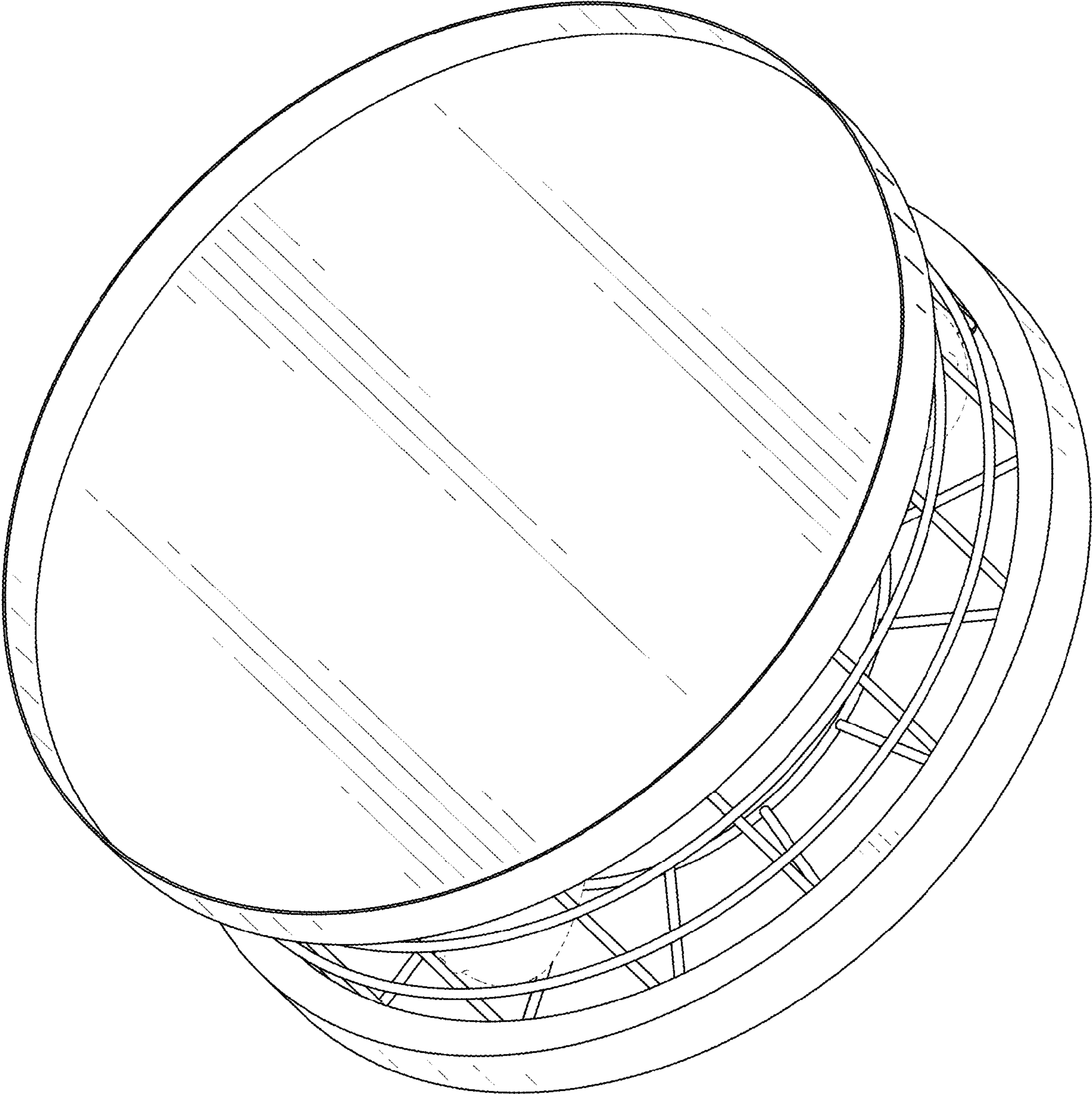


FIG. 2

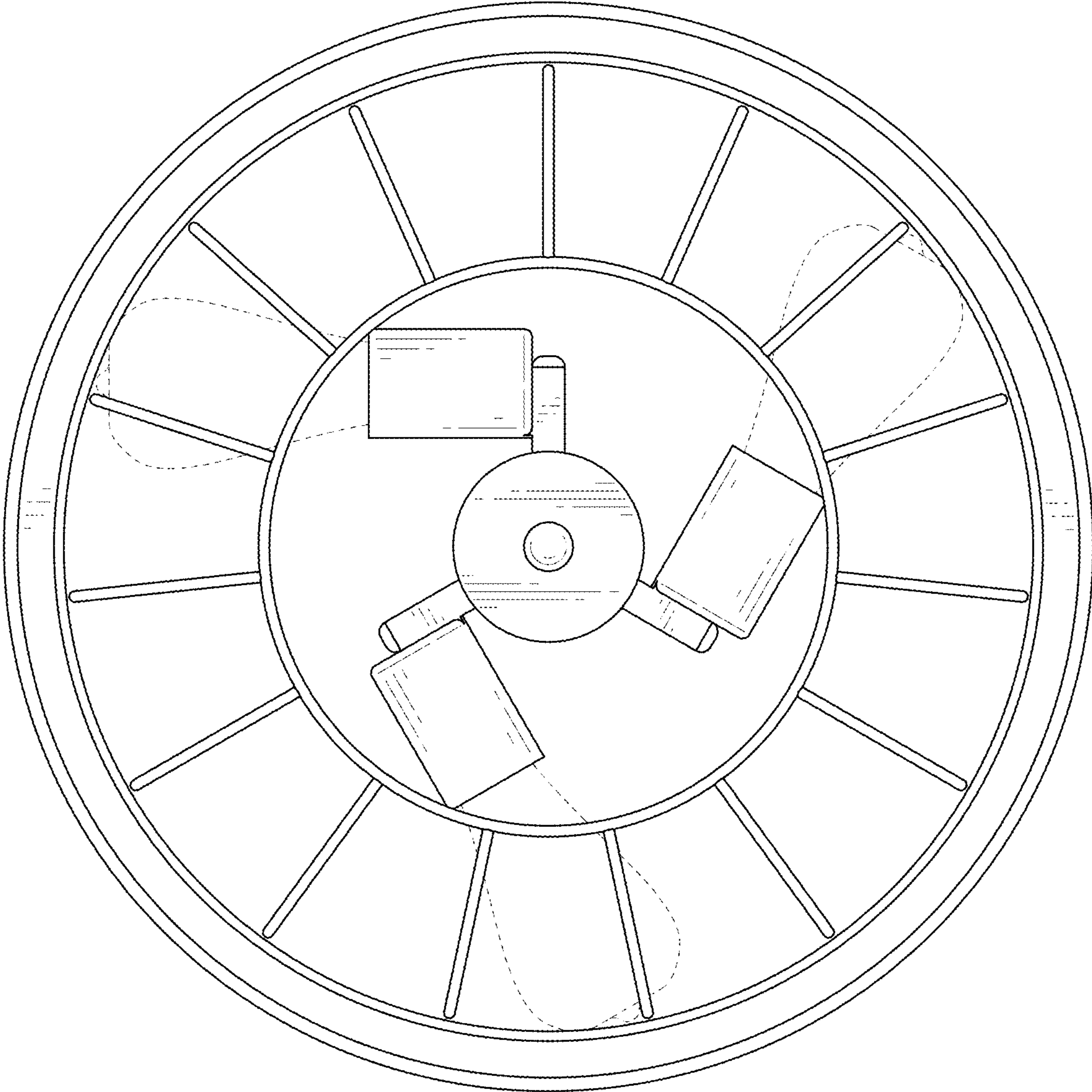


FIG. 3

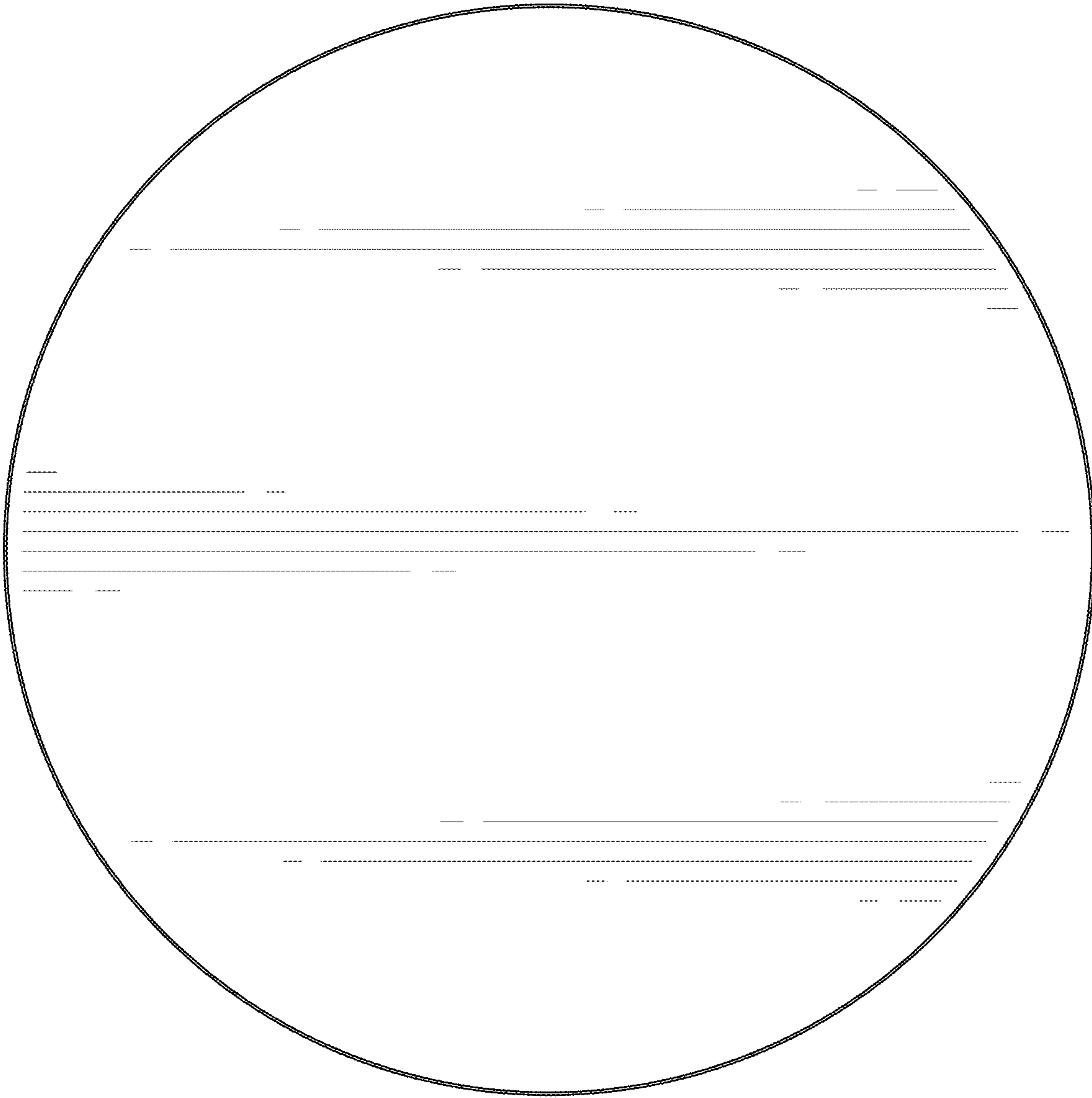


FIG. 4

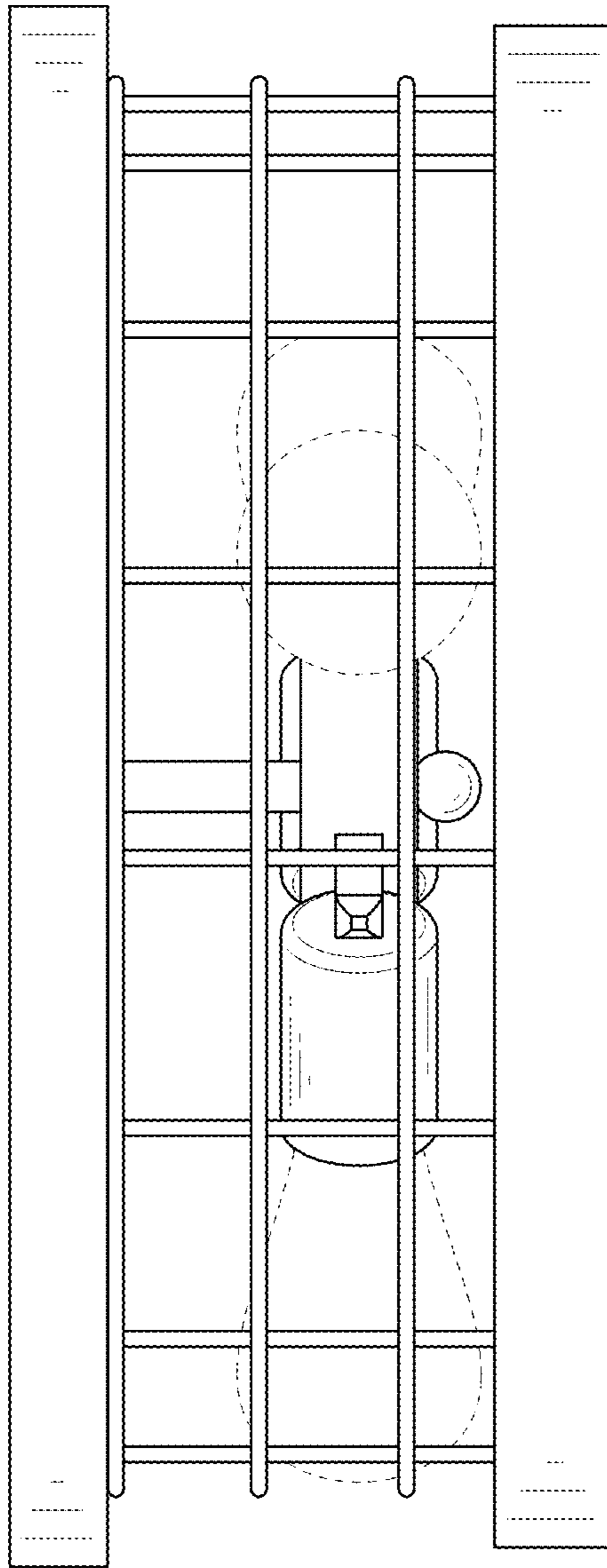


FIG. 5

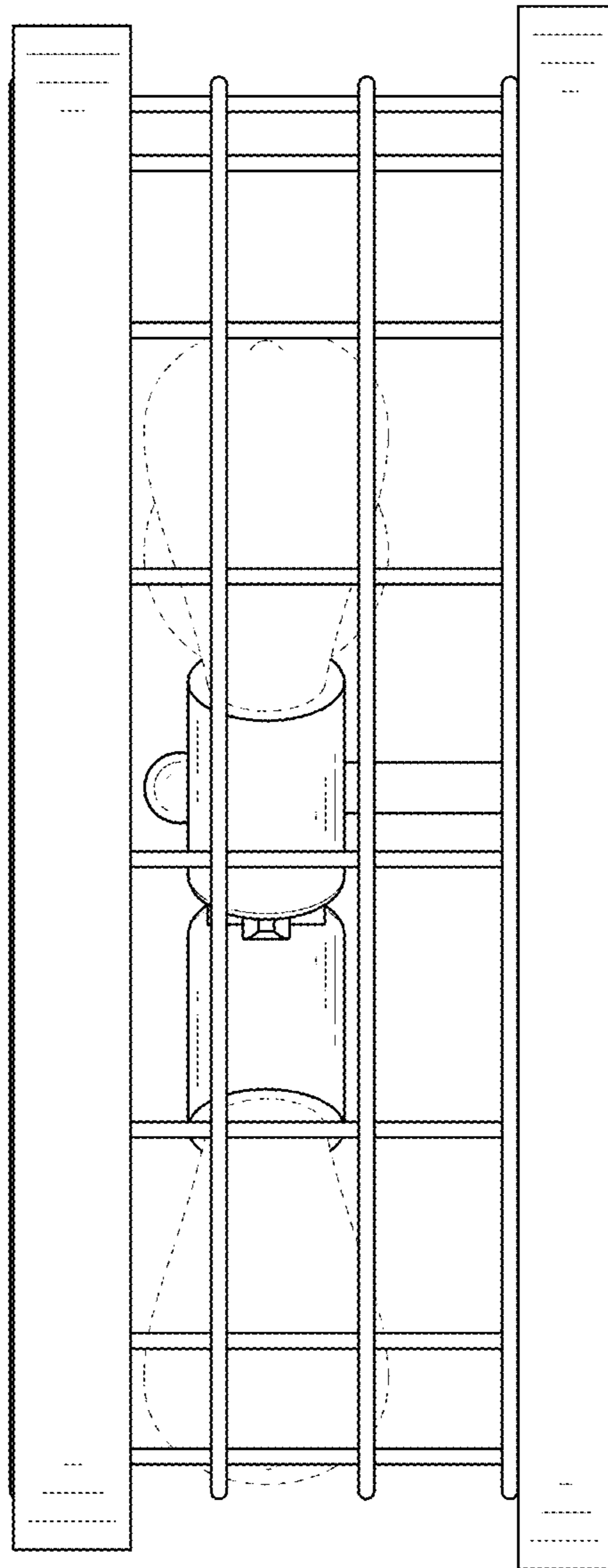


FIG. 6

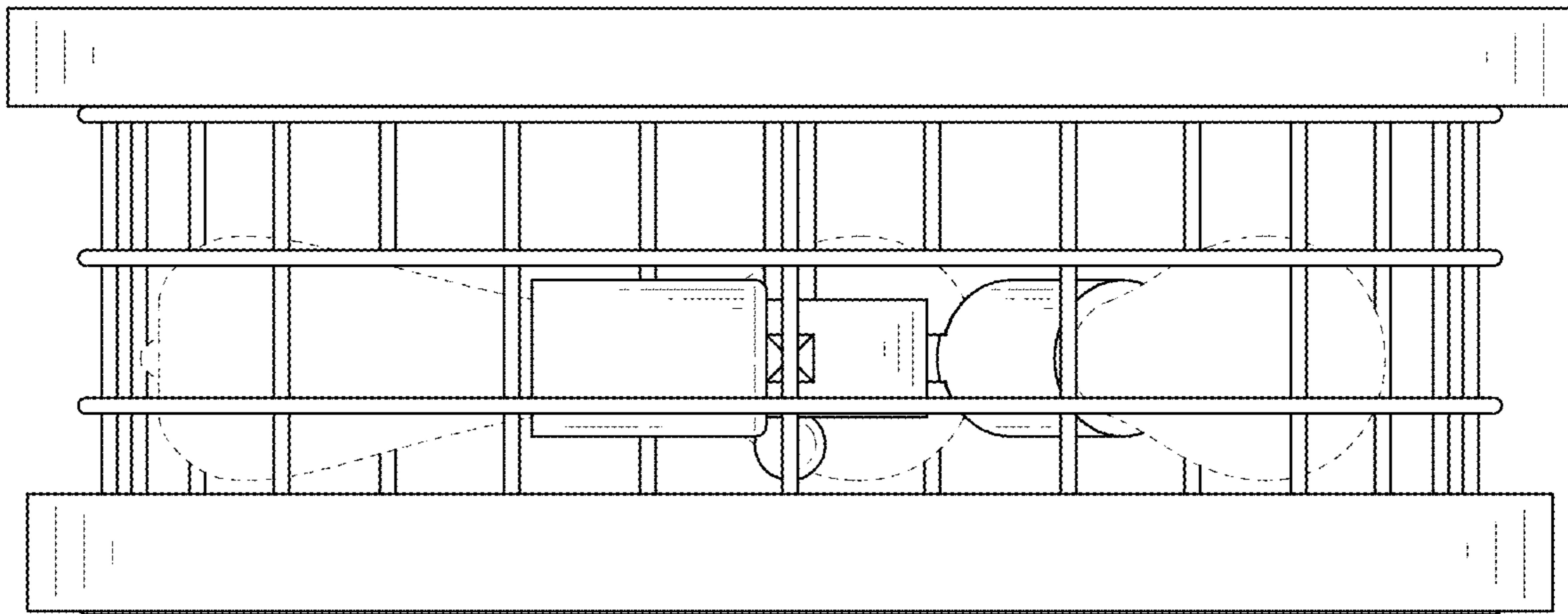


FIG. 7

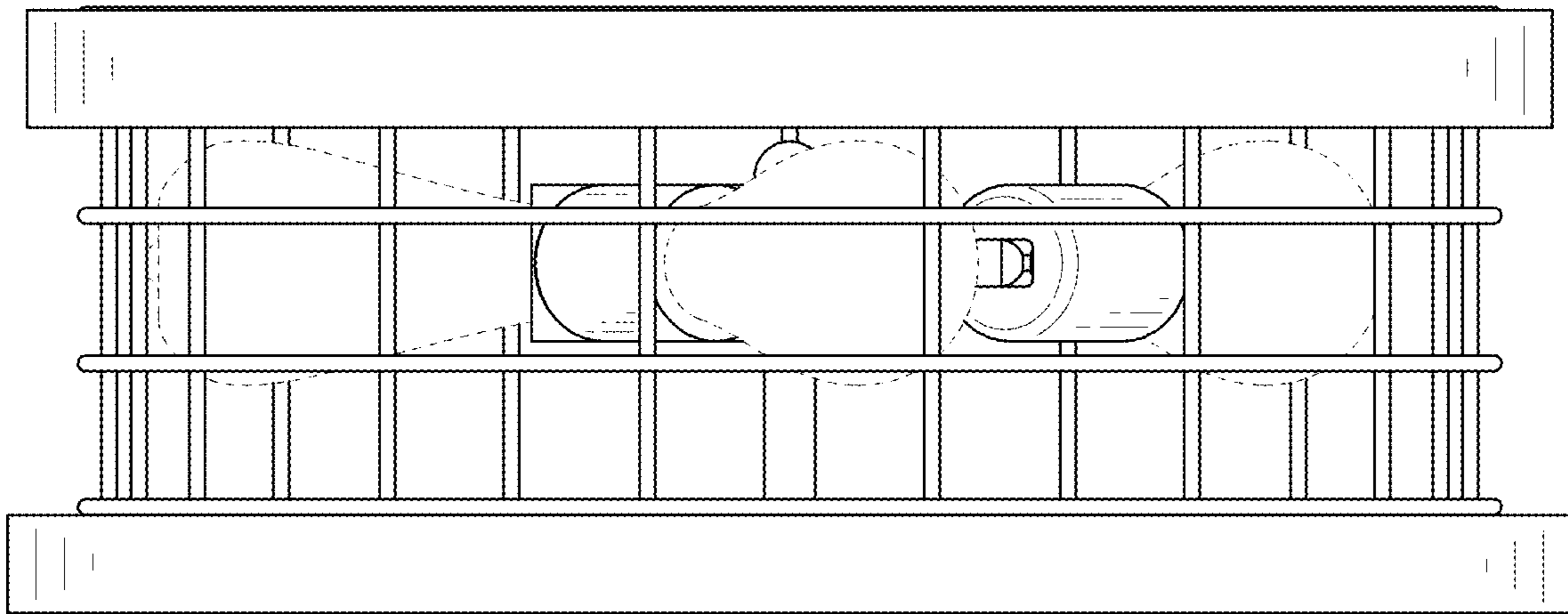


FIG. 8