



US00D898977S

(12) **United States Design Patent** (10) **Patent No.:** **US D898,977 S**
Camillo (45) **Date of Patent:** **** Oct. 13, 2020**

(54) **LIGHTING FIXTURE**

(71) Applicant: **Hubbell Limited**, London (GB)
 (72) Inventor: **Paolo Attanasio Camillo**, Uddingston (GB)
 (73) Assignee: **Hubbell Limited**, London (GB)
 (**) Term: **15 Years**
 (21) Appl. No.: **35/506,749**
 (22) Filed: **Nov. 16, 2018**
 (80) **Hague Agreement Data**
 Int. Filing Date: **Nov. 16, 2018**
 Int. Reg. No.: **DM/200800**
 Int. Reg. Date: **Nov. 16, 2018**
 Int. Reg. Pub. Date: **May 17, 2019**

(30) **Foreign Application Priority Data**

May 18, 2018 (EM) 005272341

(51) **LOC (12) Cl.** **26-04**

(52) **U.S. Cl.**
USPC **D26/76**

(58) **Field of Classification Search**
 USPC D26/22, 72, 74, 76, 78-83, 85, 86, 88,
 D26/90, 93, 110, 111, 113, 118, 119, 120,
 D26/121, 122, 138, 139, 140, 141, 142,
 D26/152

CPC F21S 2/00; F21S 4/00; F21S 4/003; F21S
 4/005; F21S 4/006; F21S 4/007; F21S
 4/008; F21S 6/00; F21S 8/00; F21S
 8/024; F21S 8/026; F21S 8/031; F21S
 8/033; F21S 8/035-037; F21S 8/04; F21S
 8/043; F21S 8/063

See application file for complete search history.

(56) **References Cited**

U.S. PATENT DOCUMENTS

D508,582 S *	8/2005	Nayler	D26/76
D573,744 S *	7/2008	Engel	D26/76
D701,990 S *	4/2014	Rodgers	D26/76
D721,198 S *	1/2015	Glasbrenner	D26/76
D744,690 S *	12/2015	Boyer	D26/76
D749,768 S *	2/2016	Snell	D26/76
D761,476 S *	7/2016	Shah	D26/76
D767,193 S *	9/2016	Jung	D26/74
D774,234 S *	12/2016	Plourde	D26/76
D784,594 S *	4/2017	Stolte	D26/76
D786,471 S *	5/2017	Snell	D26/74
D786,477 S *	5/2017	Lauderdale	D26/76
D819,861 S *	6/2018	Scribante	D26/76
D824,570 S *	7/2018	Bobel	D26/76
D833,052 S *	11/2018	Verfuerth	D26/76
D847,396 S *	4/2019	Schwartz	D26/76
D850,699 S *	6/2019	Xu	D26/76
D864,455 S *	10/2019	Sullivan	D26/76

* cited by examiner

Primary Examiner — Natasha Vujcic

(74) *Attorney, Agent, or Firm* — Michael Best & Friedrich, LLP

(57) **CLAIM**

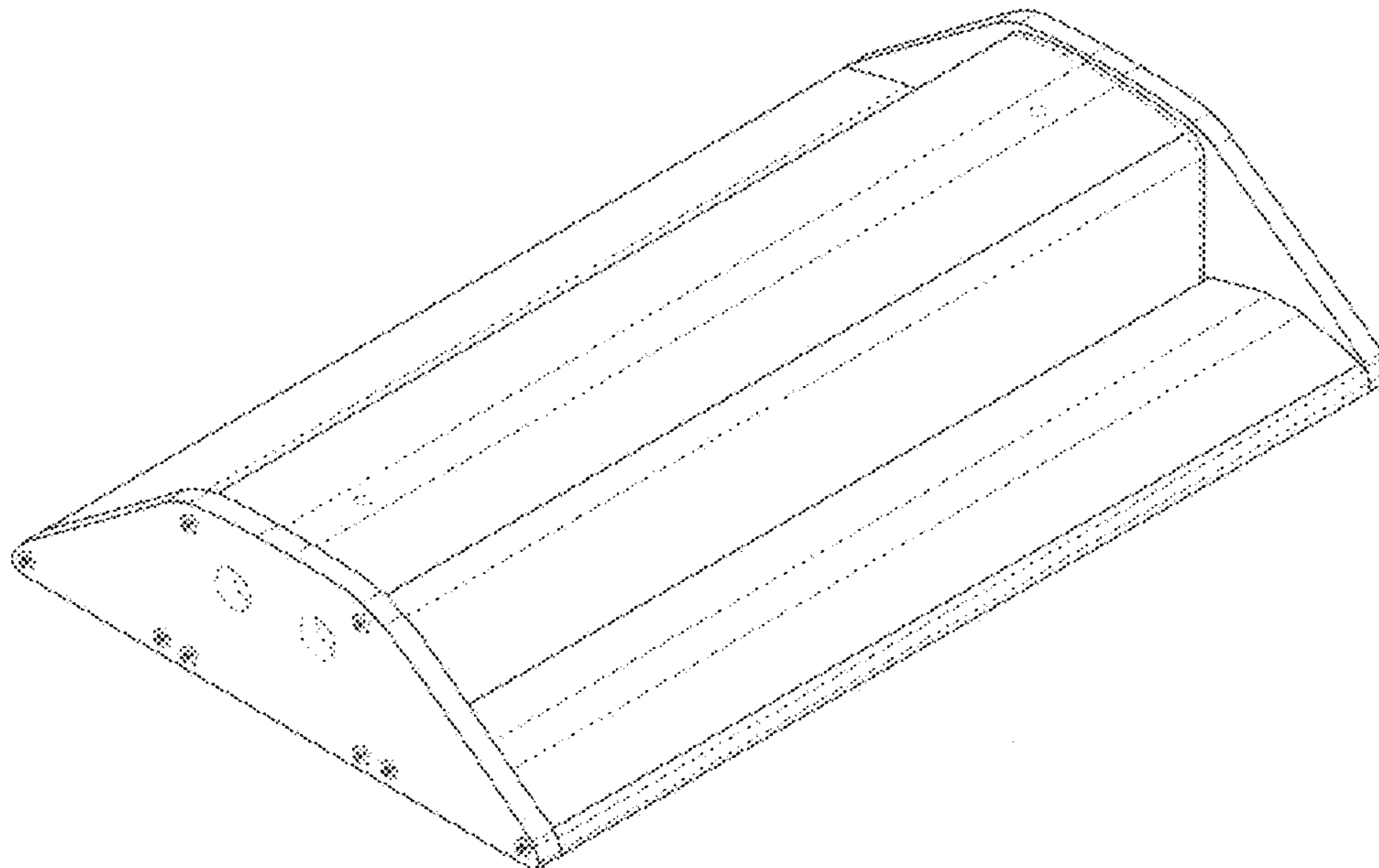
The ornamental design for lighting fixtures, as shown and described.

DESCRIPTION

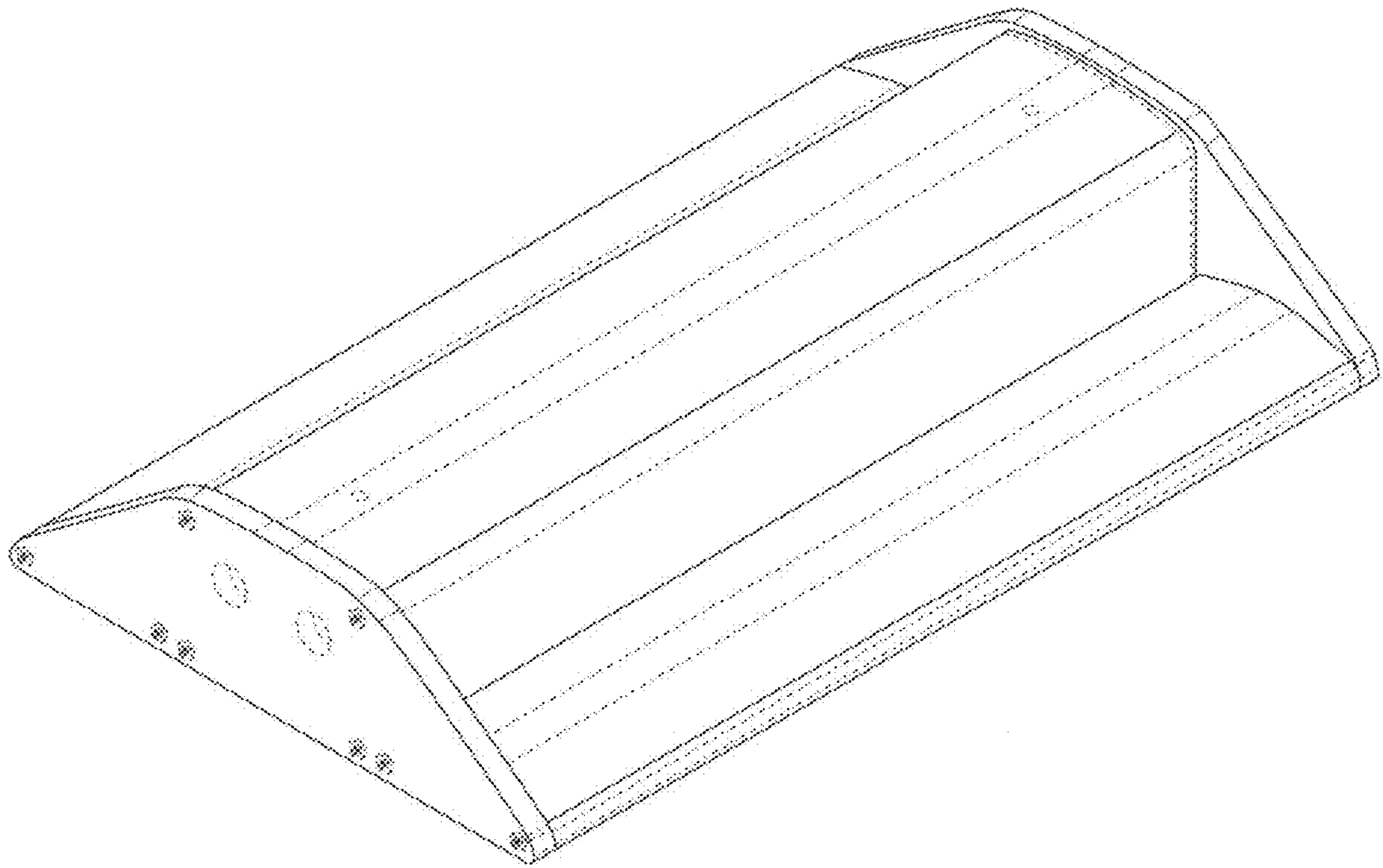
1.3. Lighting fixture

The broken lines with the various embodiments of the claimed designs and the spaces therein are included for illustrating environmental aspects only and form no part of the claimed designs.

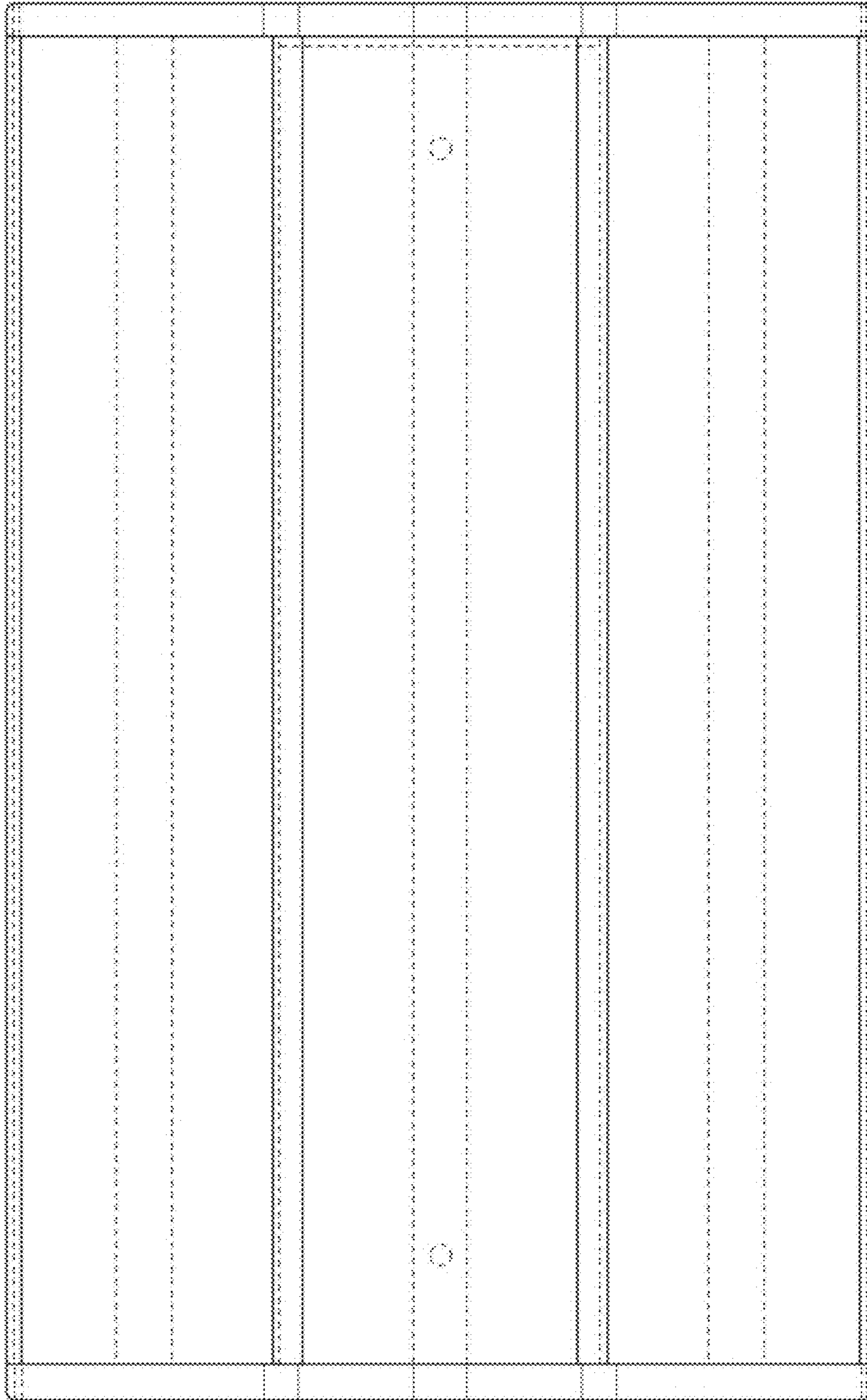
1 Claim, 19 Drawing Sheets



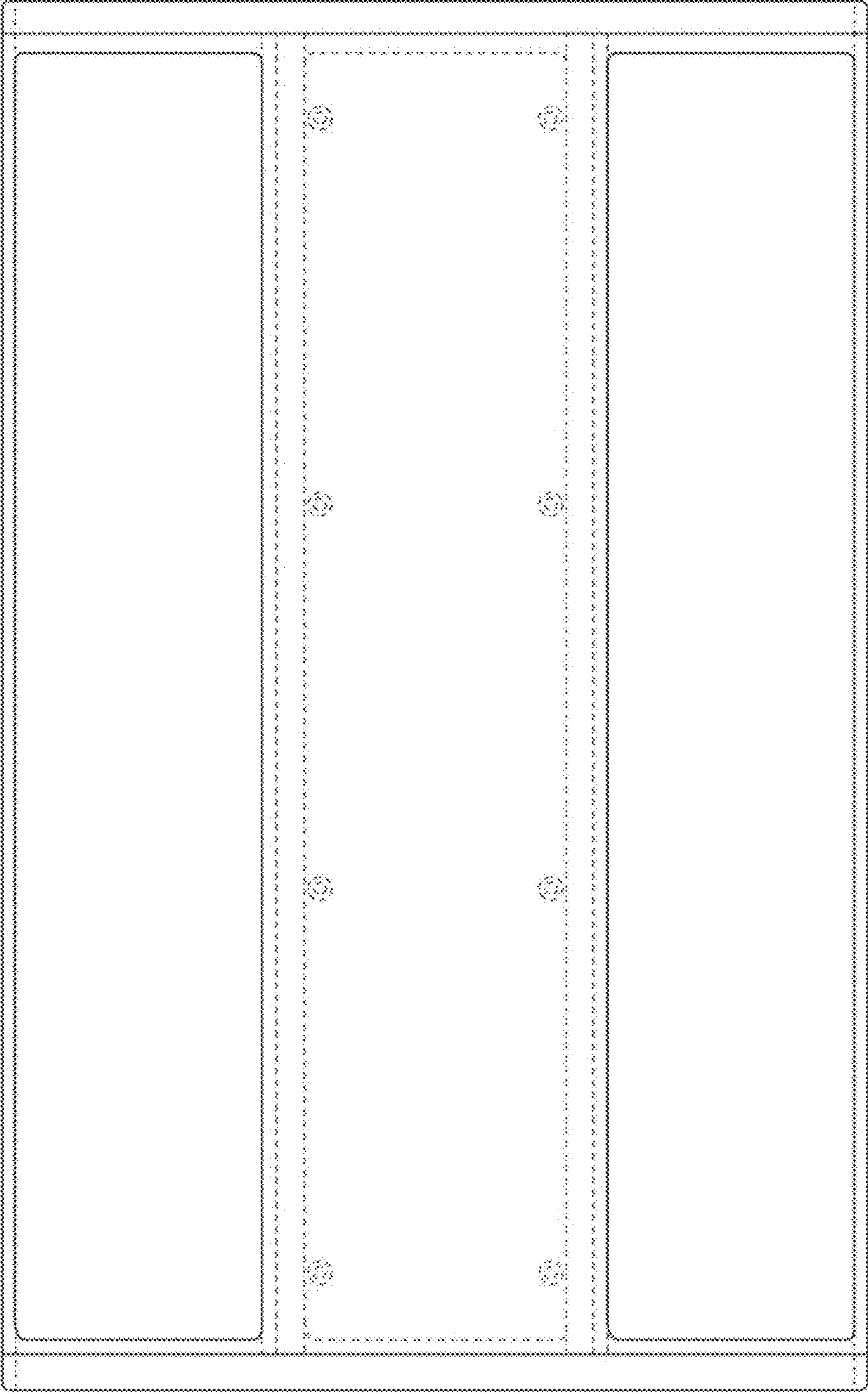
1.1



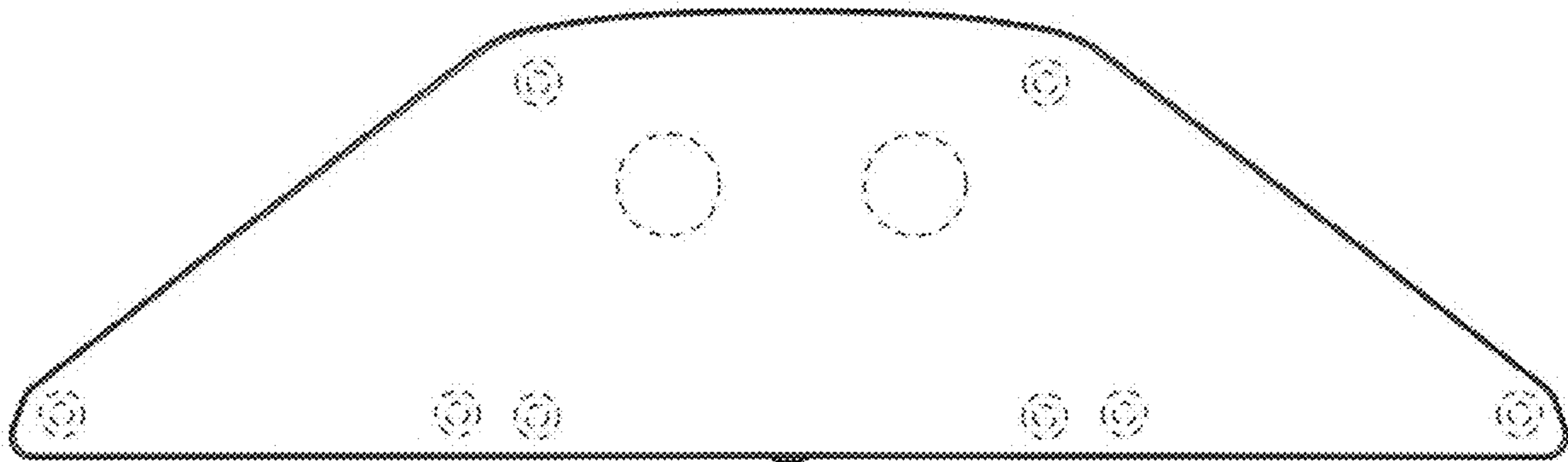
1.2



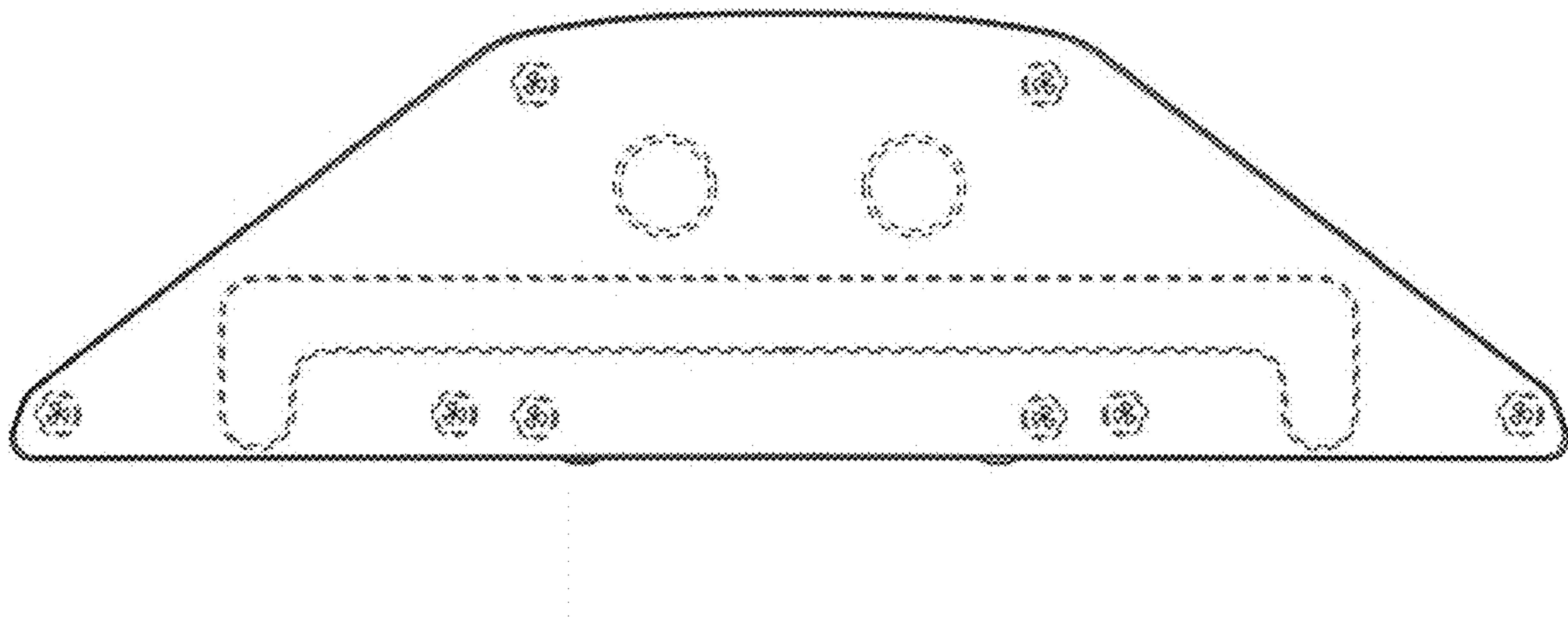
1.3



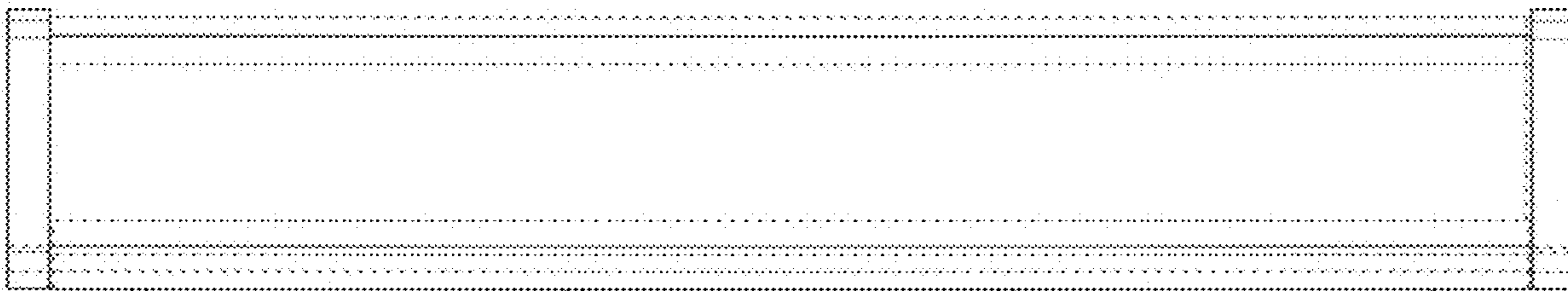
1.4



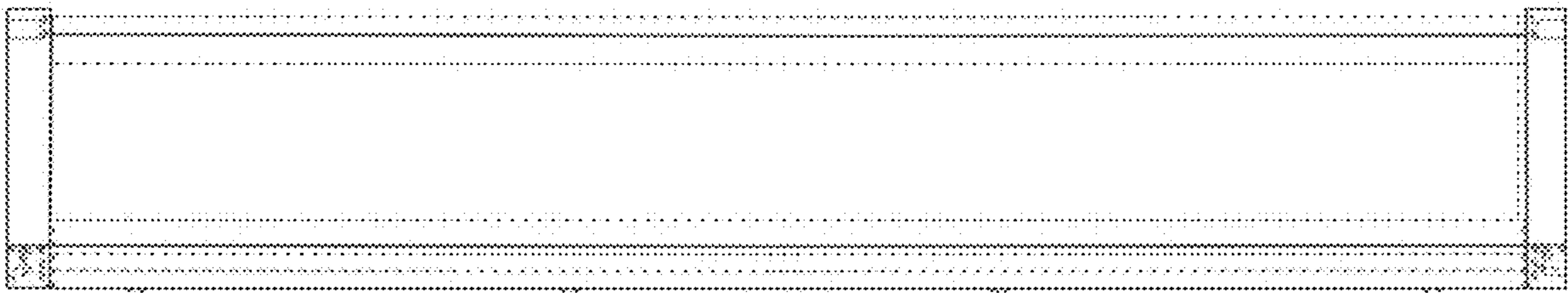
1.5



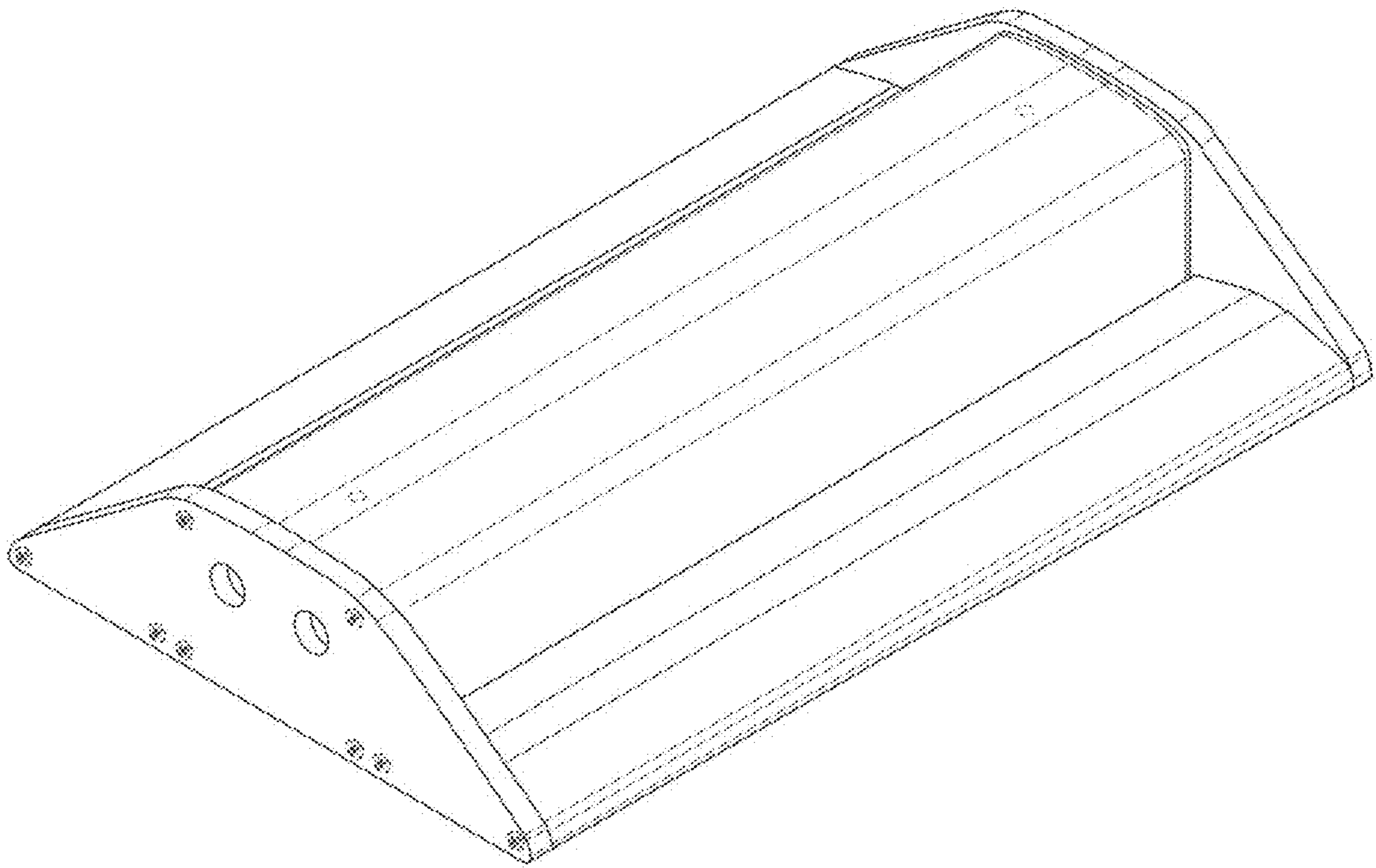
1.6



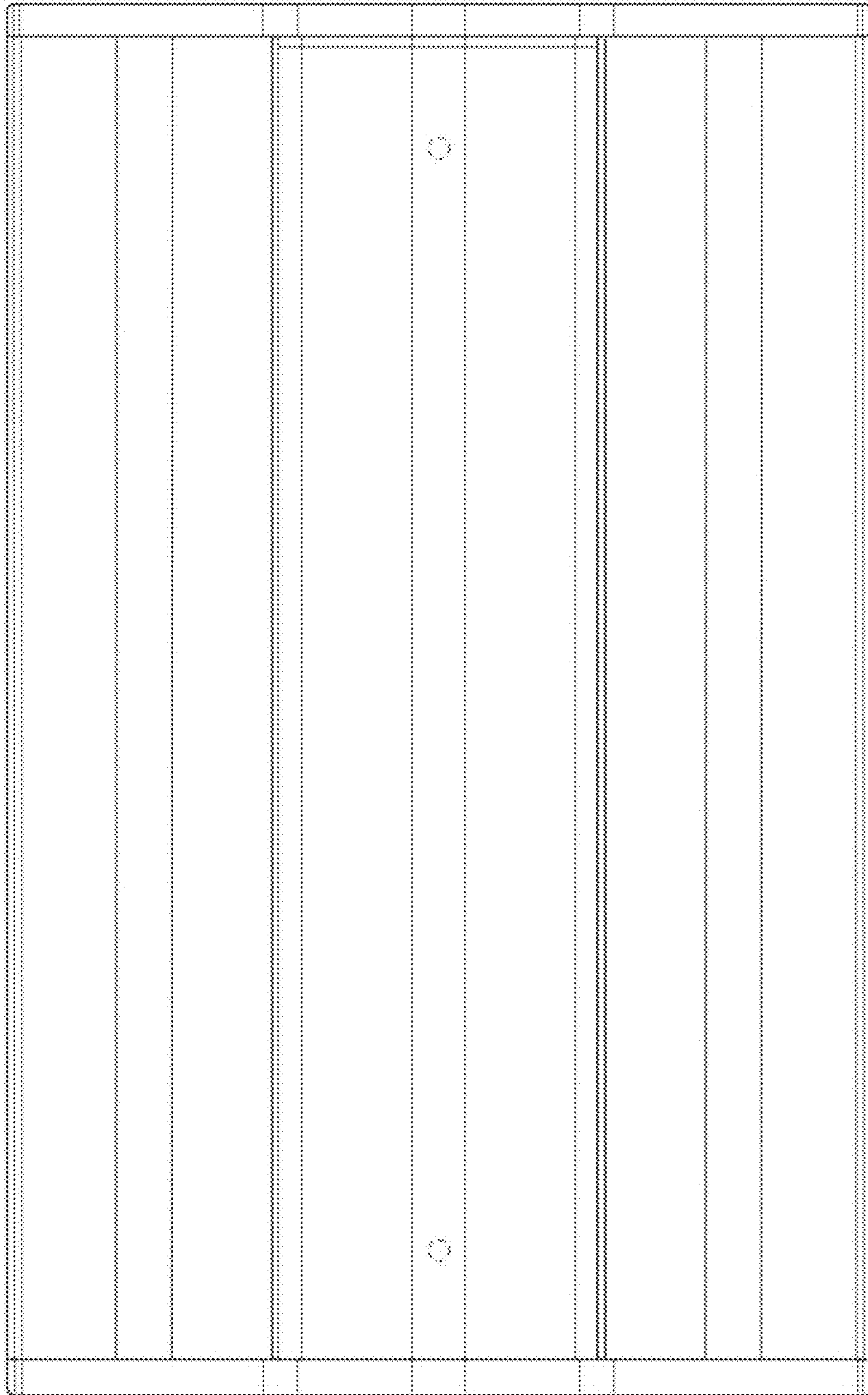
1.7



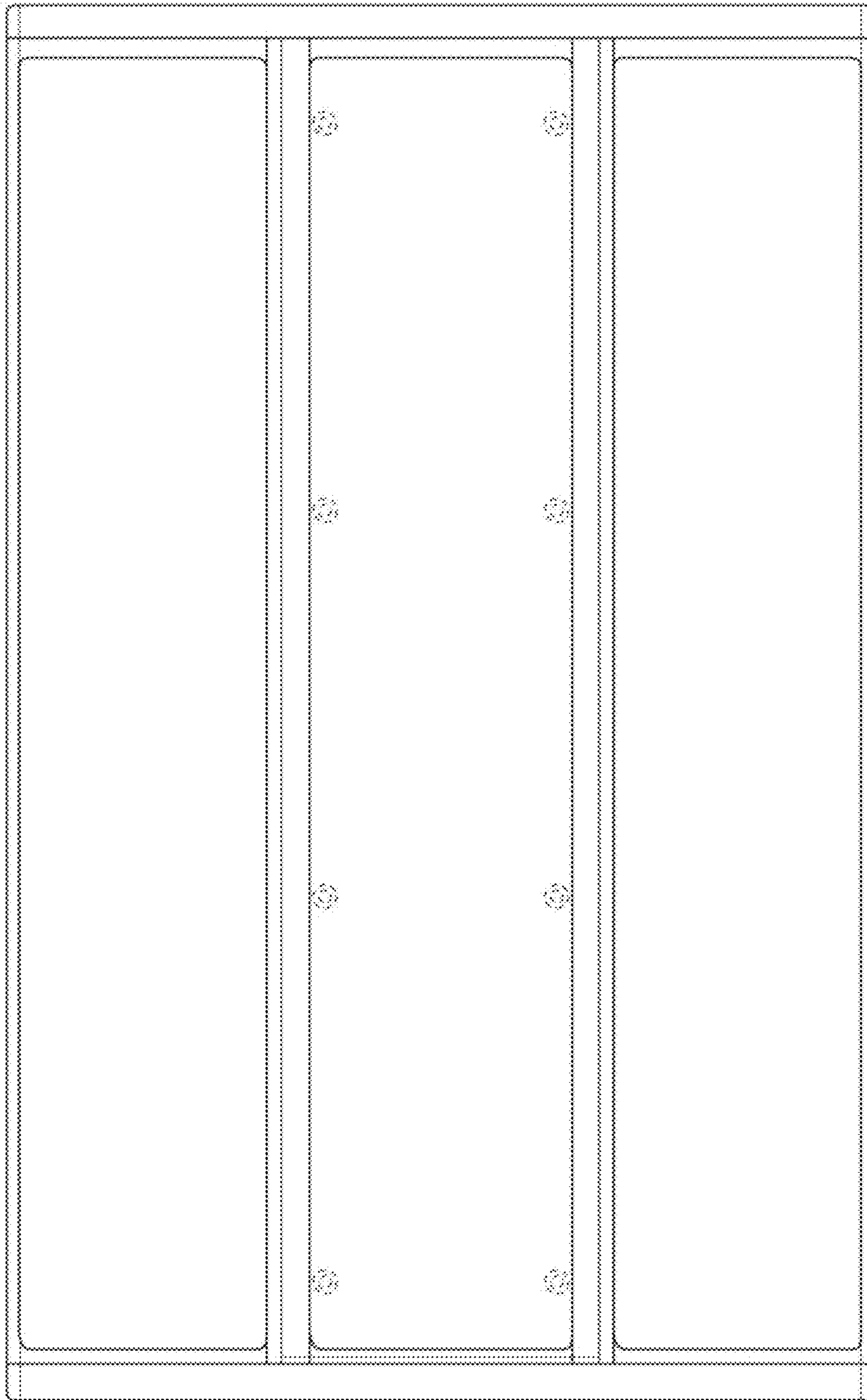
2.1



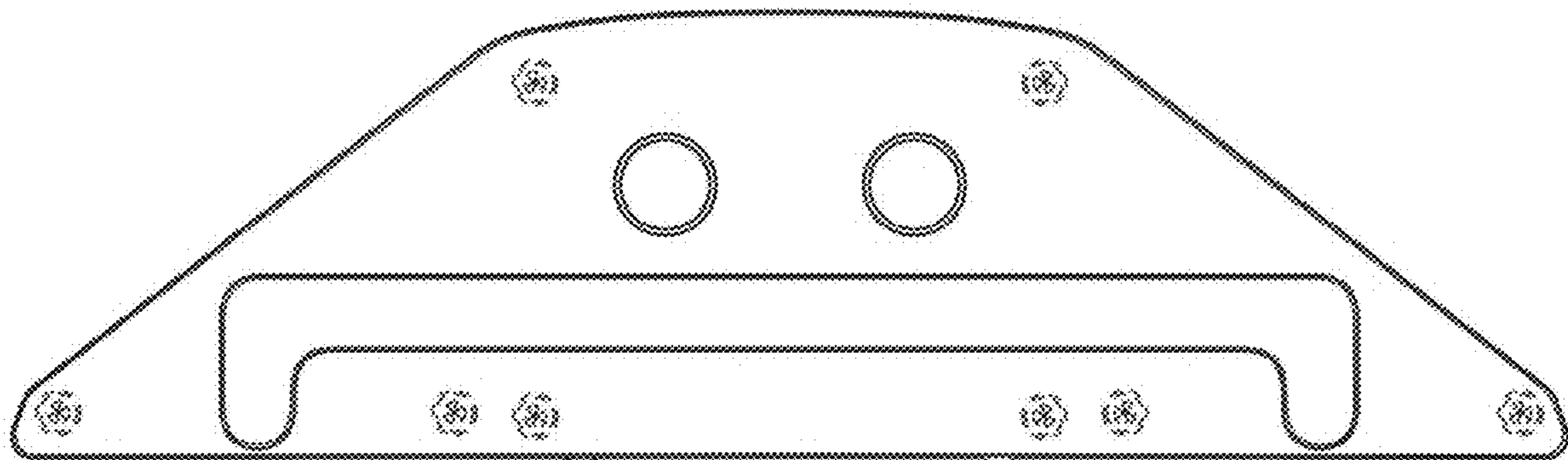
2.2



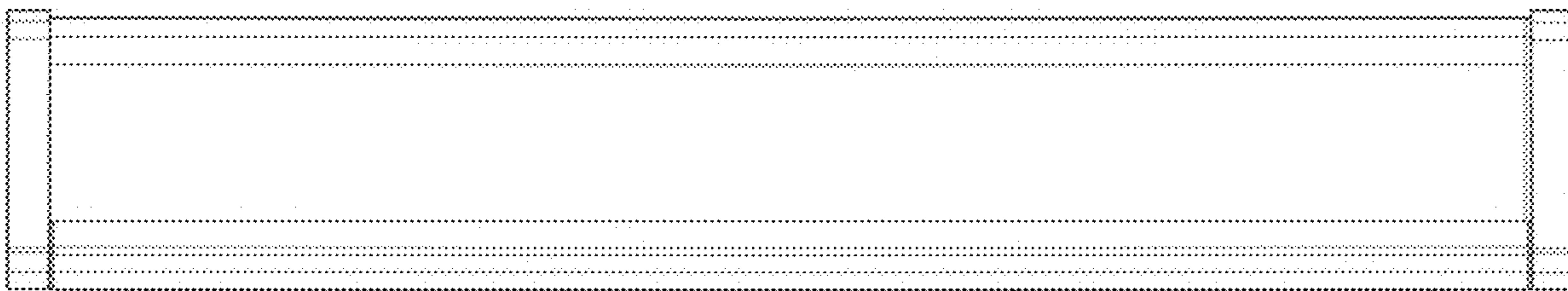
2.3



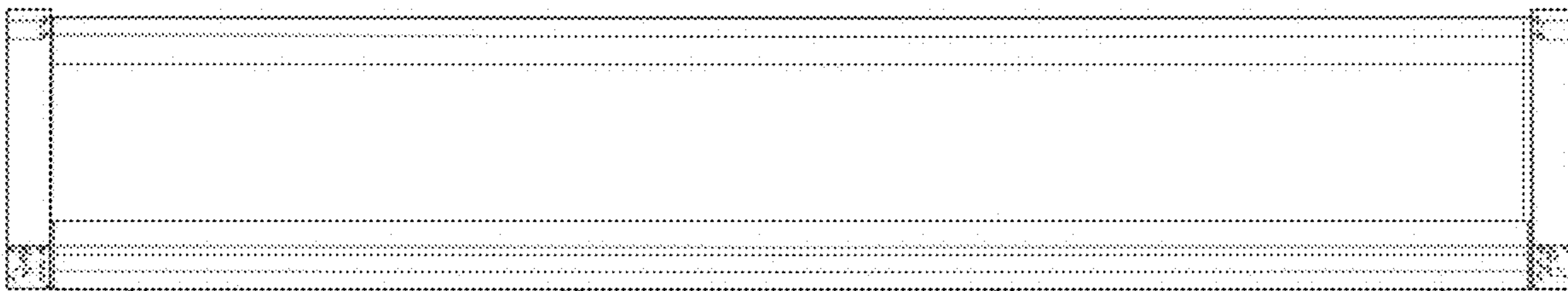
2.4



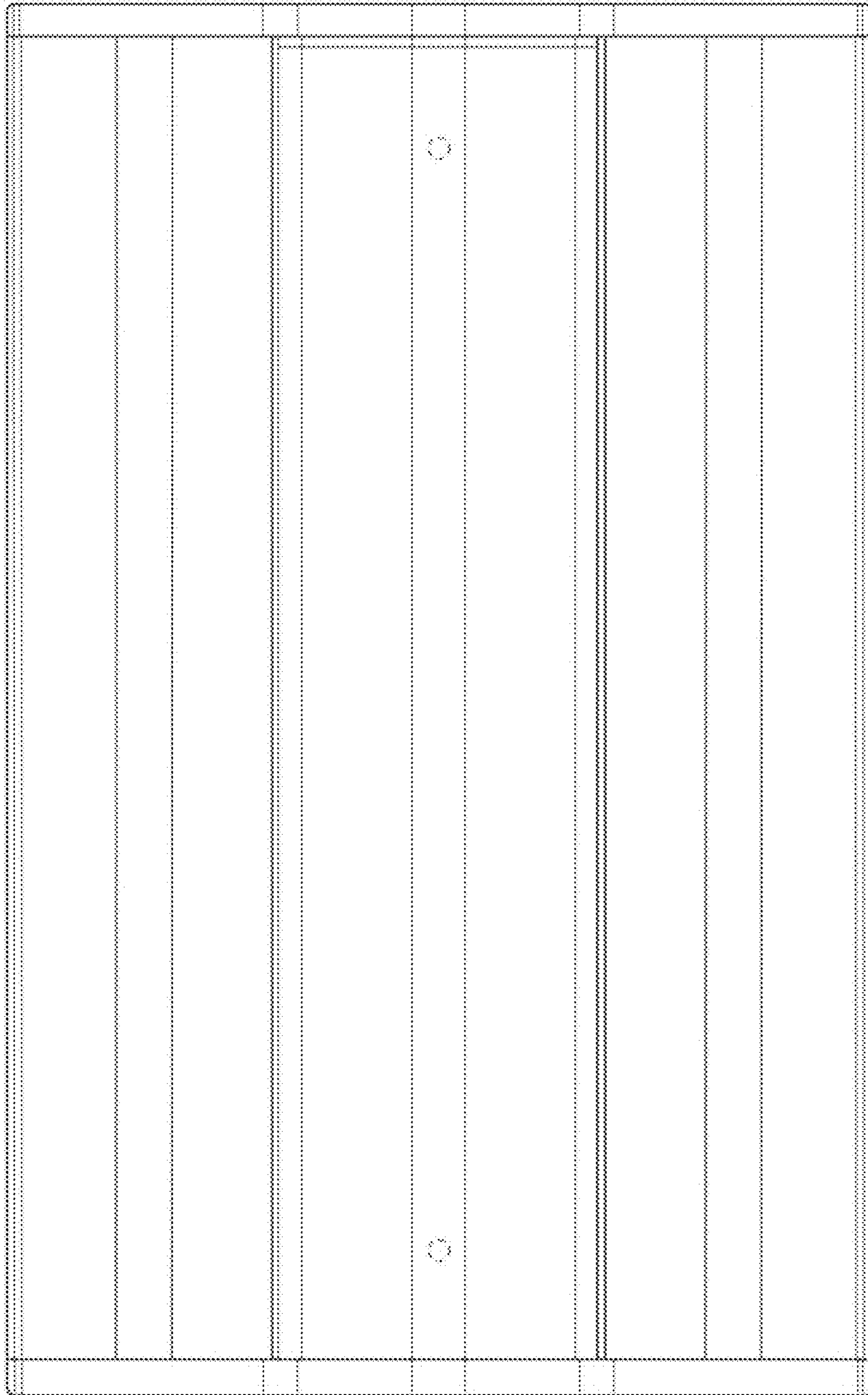
2.5



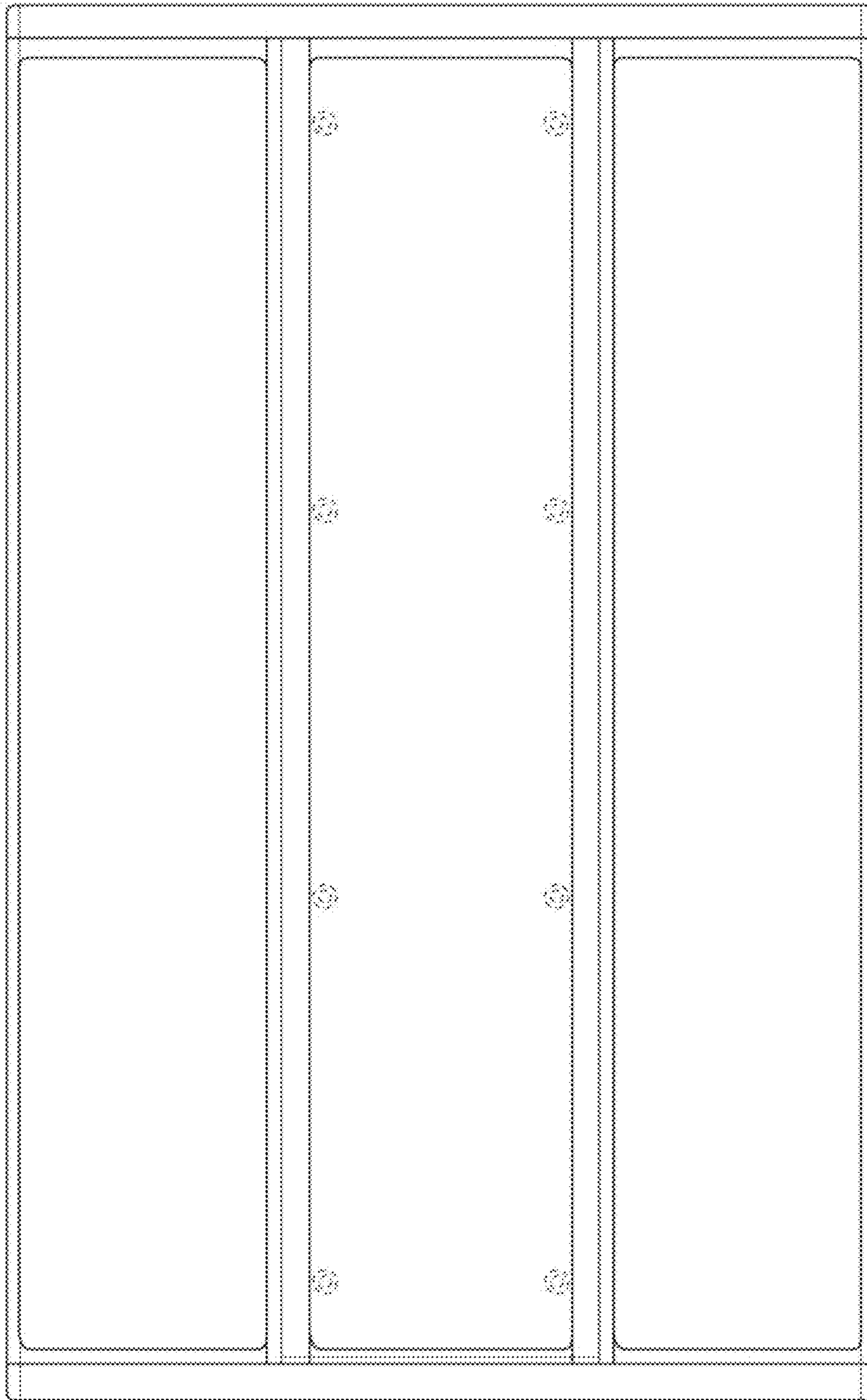
2.6



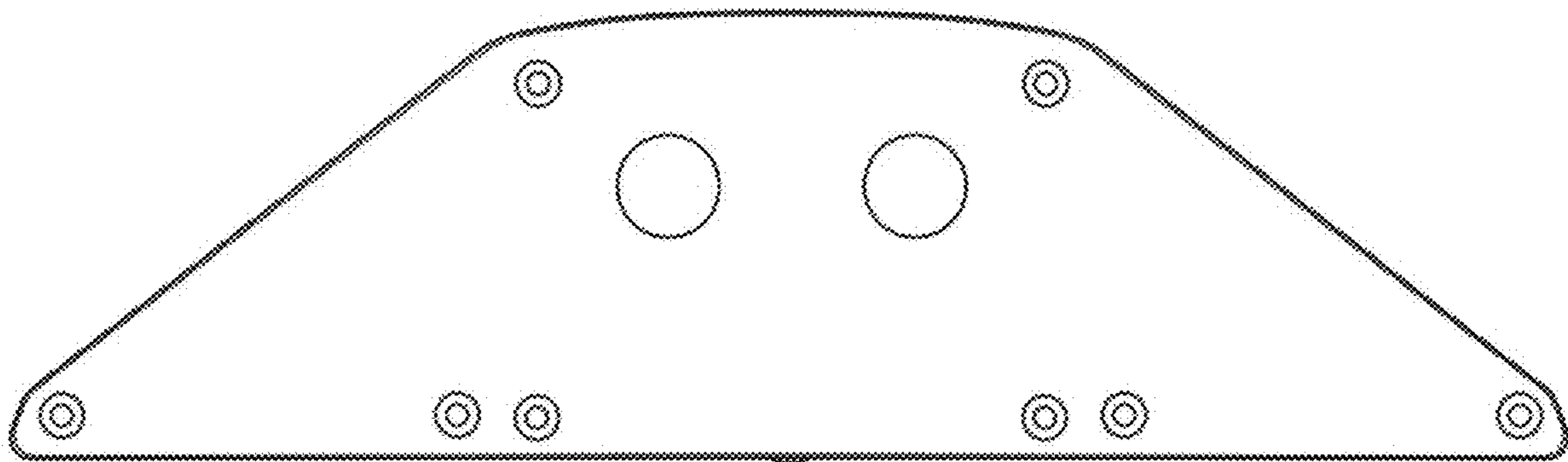
3.1



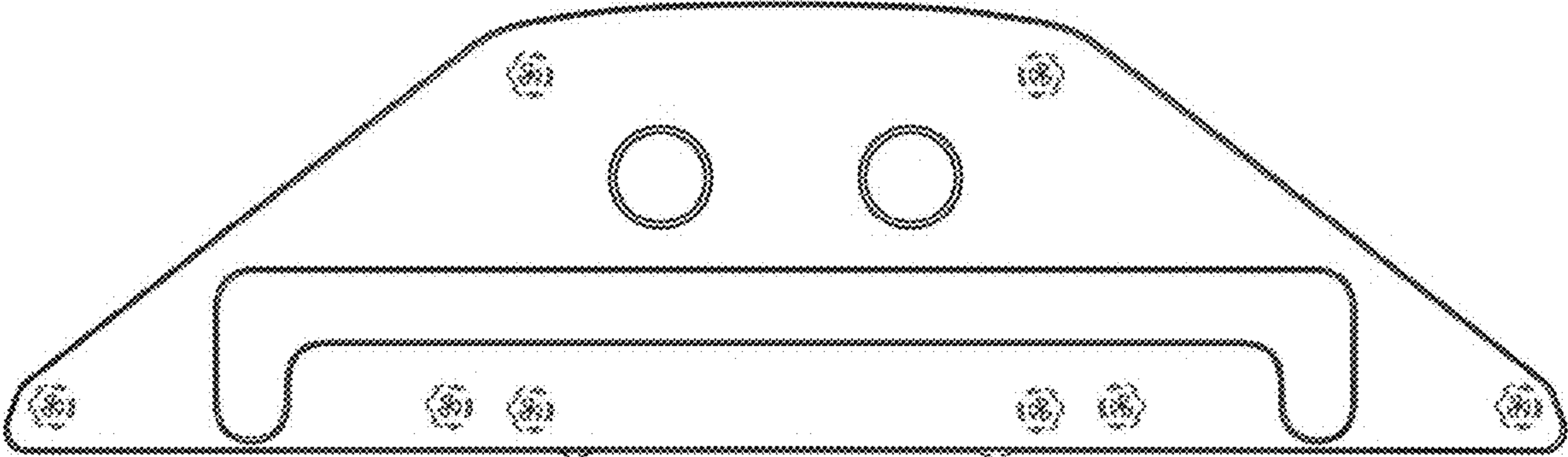
3.2



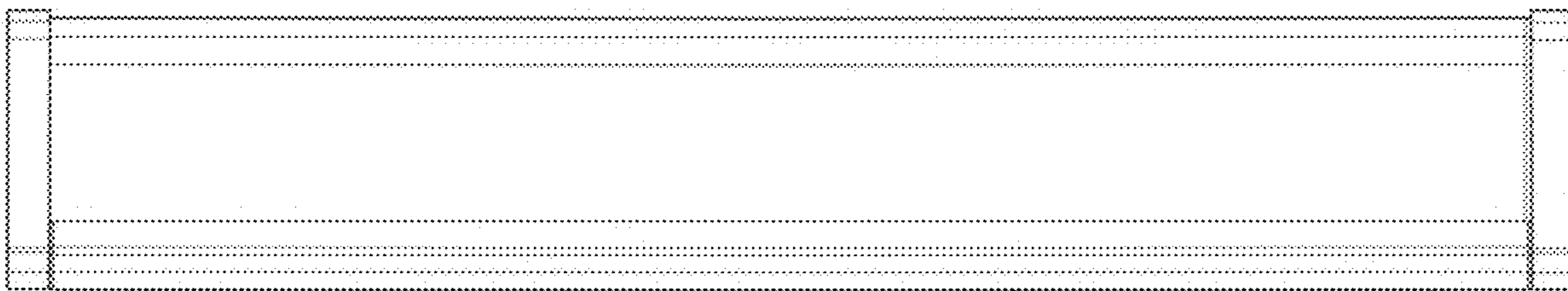
3.3



3.4



3.5



3.6

