



US00D898976S

(12) **United States Design Patent** (10) **Patent No.:** **US D898,976 S**
Xu (45) **Date of Patent:** **** Oct. 13, 2020**

(54) **LED LIGHT**
(71) Applicants: **Yaoping Xu**, Changzhou (CN);
Changzhou KAISEN Photoelectricity Co. Ltd., Changzhou (CN)
(72) Inventor: **Yaoping Xu**, Changzhou (CN)
(73) Assignees: **Changzhou Kaisen Photoelectricity Co., Ltd.**, Changzhou (CN); **Yaoping Xu**, Changzhou (CN)

D693,048 S * 11/2013 Ng D26/76
D693,514 S * 11/2013 Mueller D26/76
D732,234 S * 6/2015 Rashidi Doust D26/118
D735,390 S * 7/2015 Yanping D26/74
D735,392 S * 7/2015 Ng D26/76
D776,854 S * 1/2017 Baumeister D26/76
D803,455 S * 11/2017 Blessitt D26/76
D818,626 S * 5/2018 Park D26/76
D842,525 S * 3/2019 Yifan D26/76
D847,397 S * 4/2019 Brandrup D26/76
D853,625 S * 7/2019 Antony D26/138
D885,634 S * 5/2020 Bhavanbhai Patel D26/76

(**) Term: **15 Years**

* cited by examiner

(21) Appl. No.: **29/676,744**

Primary Examiner — Natasha Vujcic

(22) Filed: **Jan. 14, 2019**

(74) *Attorney, Agent, or Firm* — Muncy, Geissler, Olds & Lowe, P.C.

(30) **Foreign Application Priority Data**

Jul. 13, 2018 (CN) 2018 3 03784753

(51) **LOC (12) Cl.** **26-04**

(52) **U.S. Cl.**
USPC **D26/76**

(58) **Field of Classification Search**
USPC D26/72, 74, 76, 78–83, 85, 86, 88, 90,
D26/93, 111, 113, 118, 119, 120, 121,
D26/122, 138, 139, 140, 141, 142, 152
CPC F21S 2/00; F21S 4/00; F21S 4/003; F21S
4/005; F21S 4/006; F21S 4/007; F21S
4/008; F21S 6/00; F21S 8/00; F21S
8/024; F21S 8/026; F21S 8/031; F21S
8/033; F21S 8/035–037; F21S 8/04; F21S
8/043; F21S 8/063
See application file for complete search history.

(56) **References Cited**

U.S. PATENT DOCUMENTS

D202,648 S * 10/1965 Meyer et al. D26/78
D448,499 S * 9/2001 Choi D26/3

(57) **CLAIM**

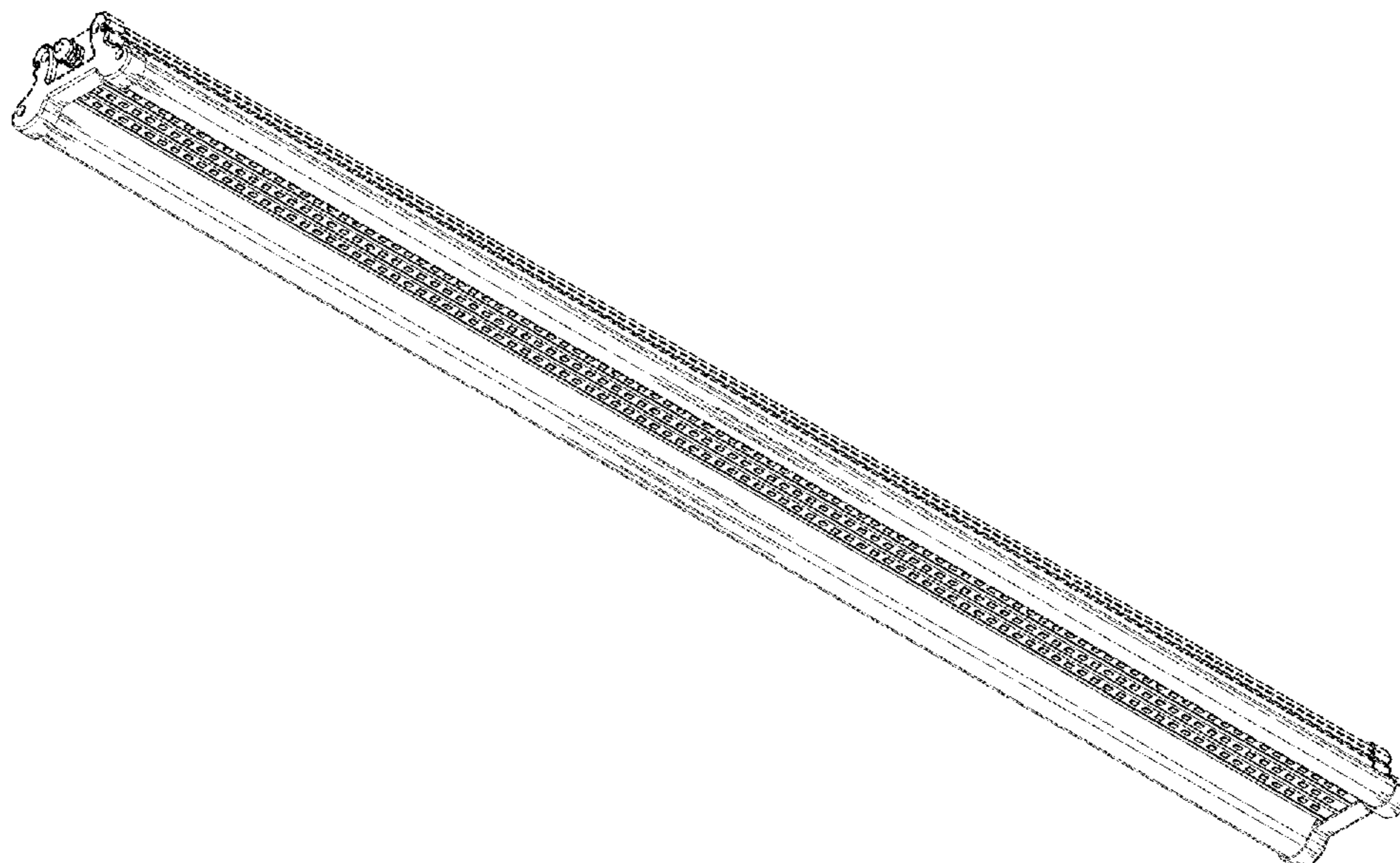
The ornamental design for an LED light, as shown and described.

DESCRIPTION

FIG. 1 shows is a perspective view of a LED light showing my new design;
FIG. 2 is a top plan view thereof;
FIG. 3 is a front elevational view thereof;
FIG. 4 is a bottom plan view thereof;
FIG. 5 is a left side elevational view thereof;
FIG. 6 is a right side elevational view thereof;
FIG. 7 is a rear elevational view thereof;
FIG. 8 is a partial enlarged perspective view thereof; and,
FIG. 9 is a partial enlarged perspective view thereof with the side cover removed.

The broken lines illustrate portions of the LED light which form no part of the claimed design.

1 Claim, 8 Drawing Sheets



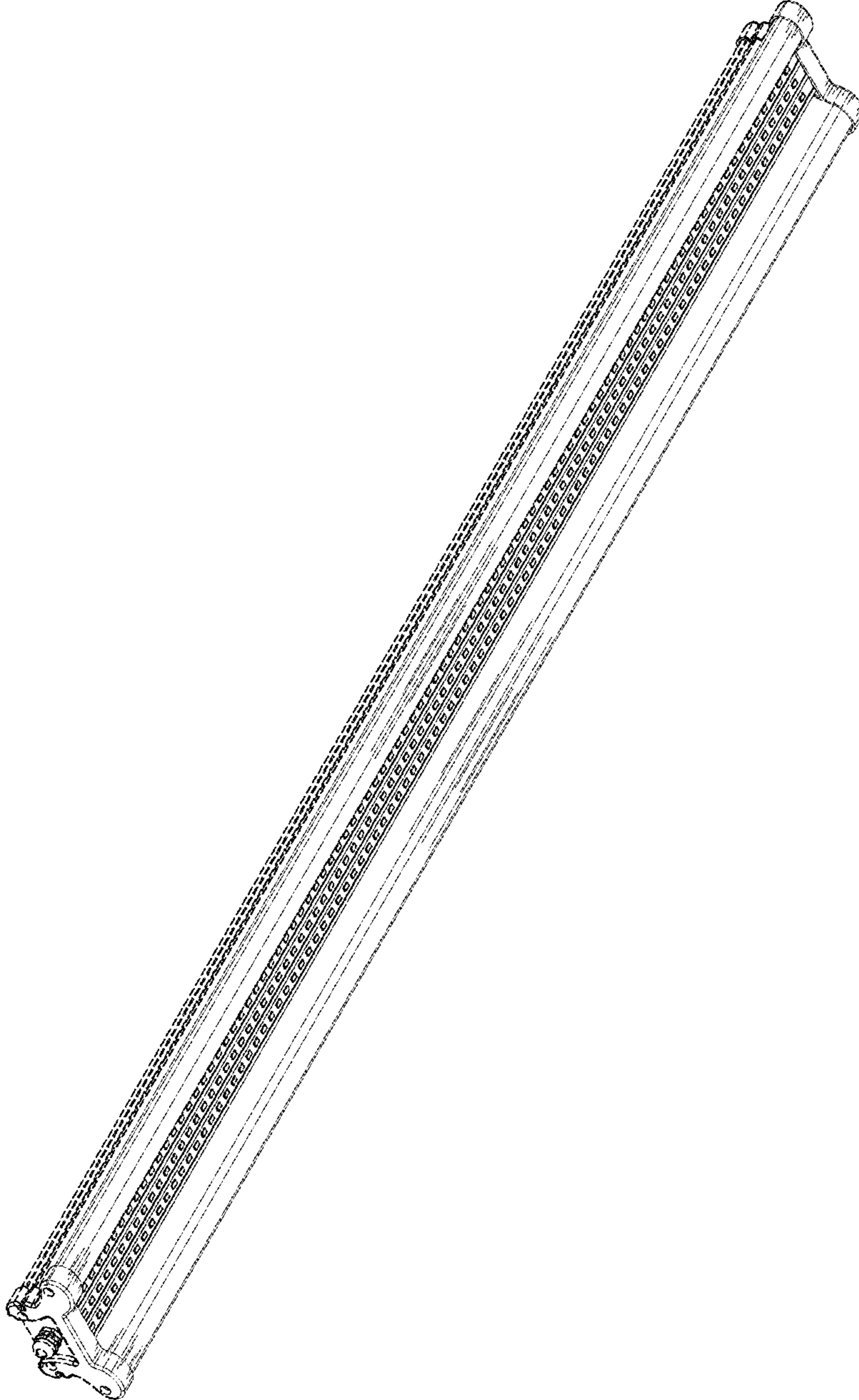


FIG. 1

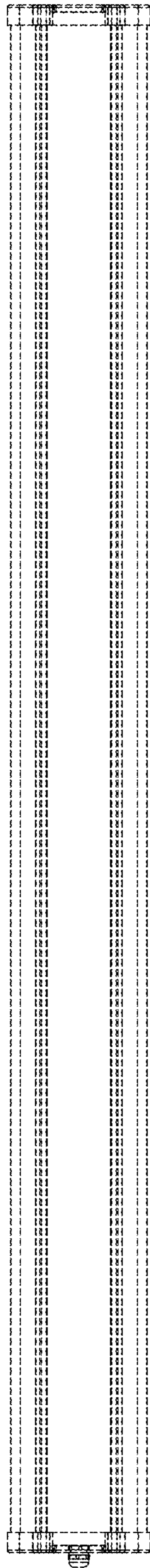


FIG. 2

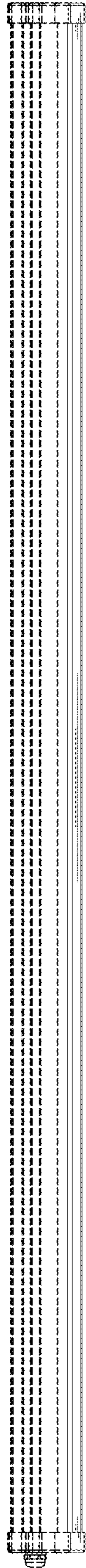


FIG. 3

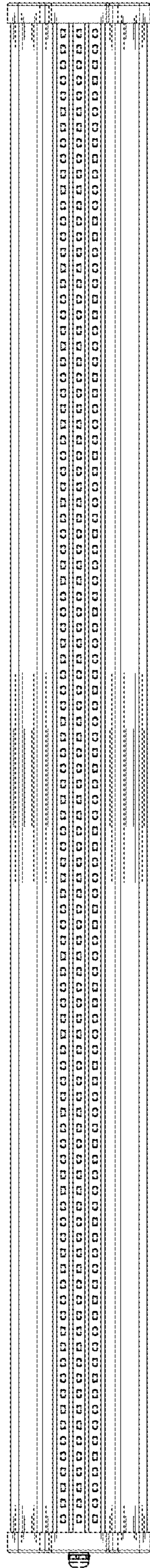


FIG. 4

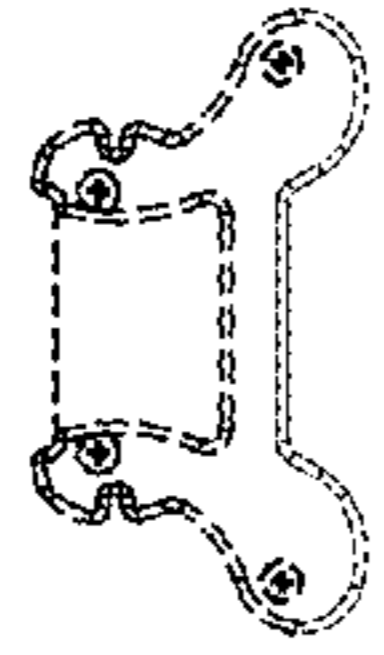


FIG. 6

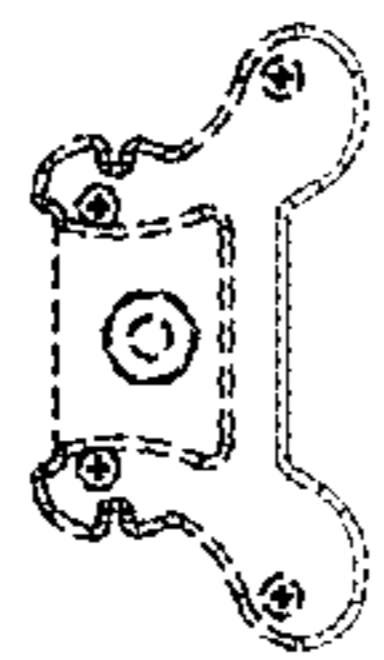


FIG. 5

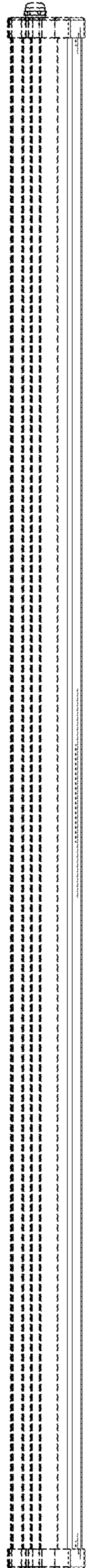


FIG. 7

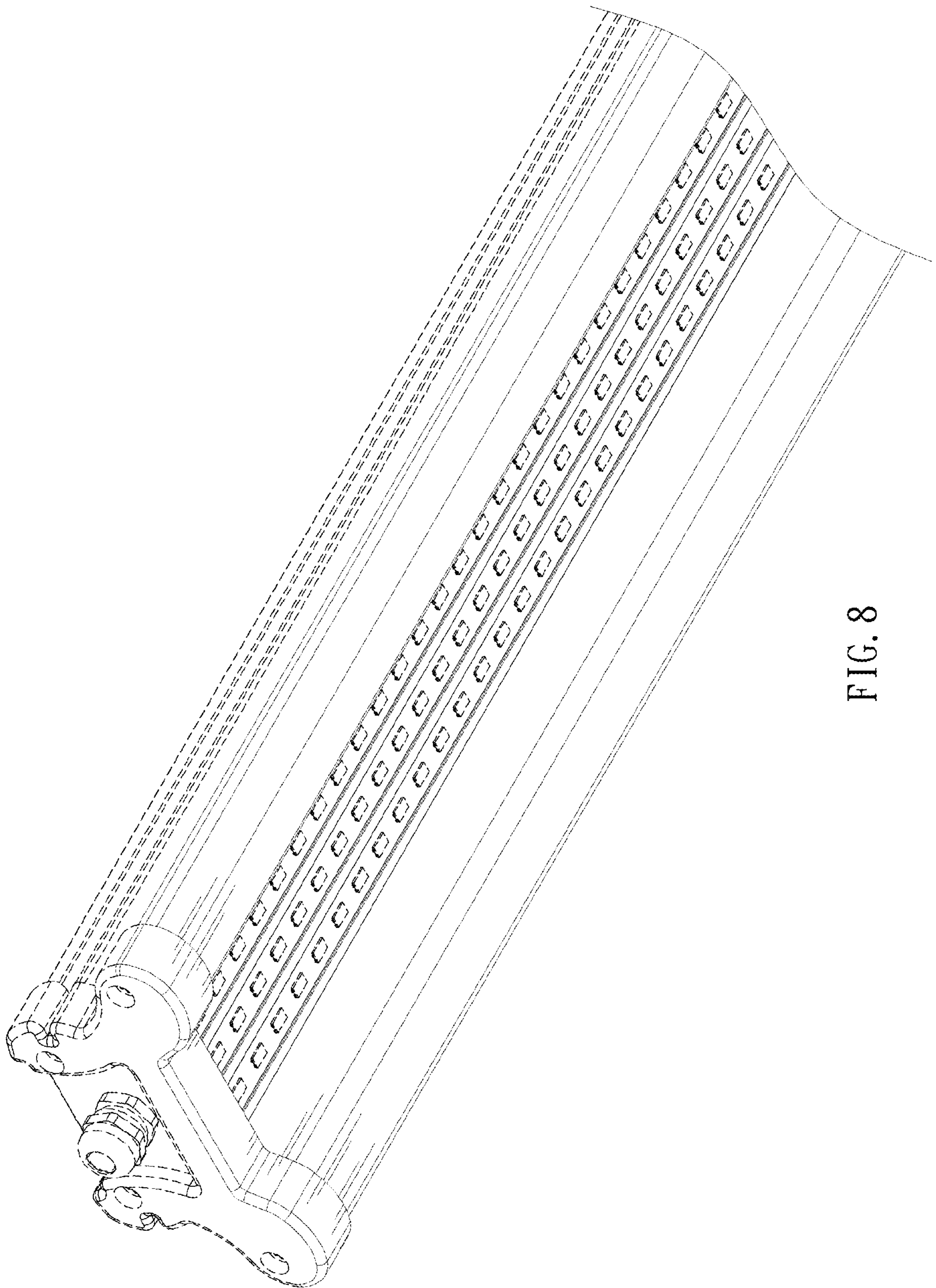


FIG. 8

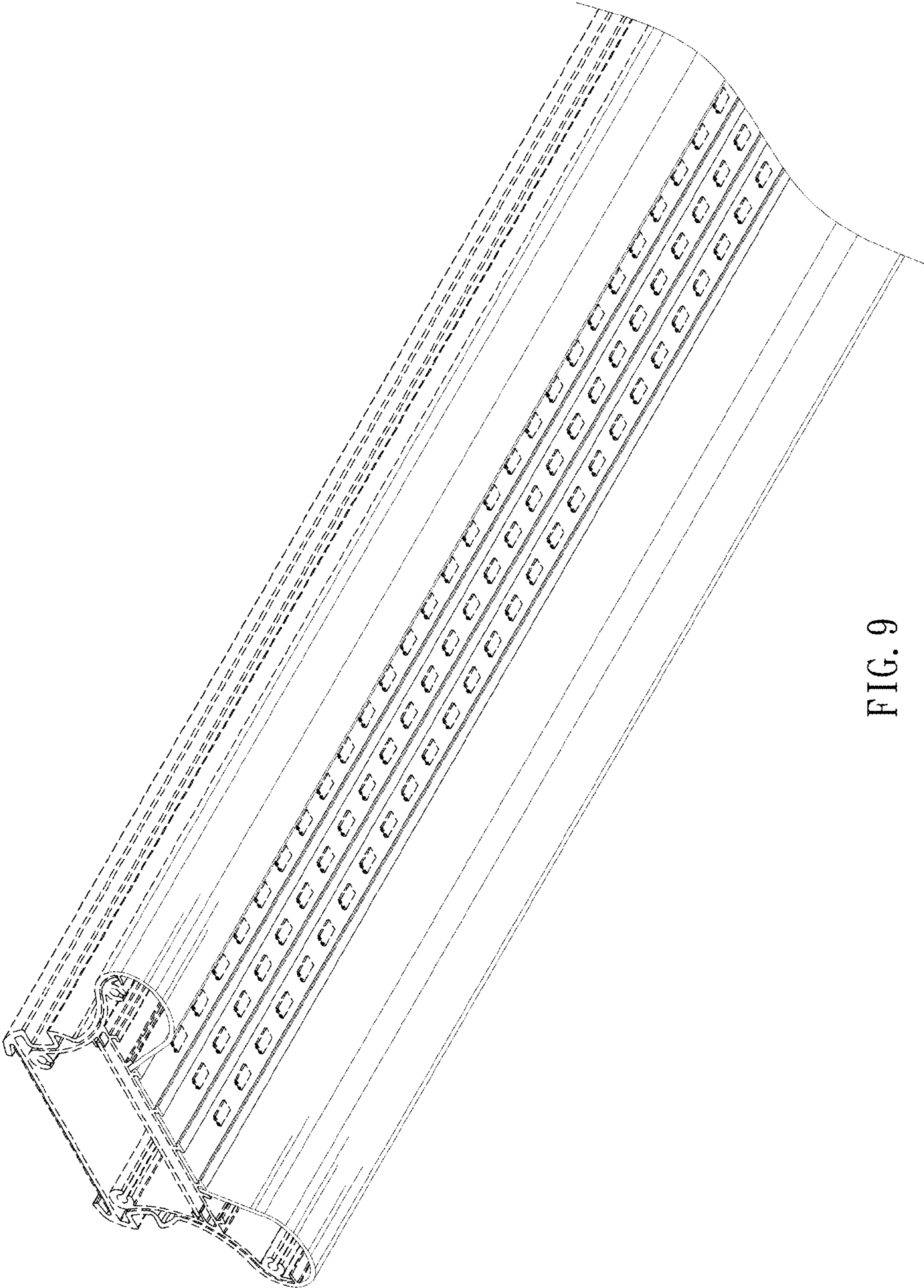


FIG. 9