



US00D898975S

(12) **United States Design Patent** (10) **Patent No.:** **US D898,975 S**  
**Rashidi Doust** (45) **Date of Patent:** **\*\* \*Oct. 13, 2020**

(54) **LIGHT FIXTURE**

(71) Applicant: **ELITE LIGHTING**, Commerce, CA (US)

(72) Inventor: **Hamid Rashidi Doust**, Beverly Hills, CA (US)

(\*) Notice: This patent is subject to a terminal disclaimer.

(\*\*) Term: **15 Years**

(21) Appl. No.: **29/605,324**

(22) Filed: **May 25, 2017**

(51) **LOC (12) Cl.** ..... **26-05**

(52) **U.S. Cl.**  
USPC ..... **D26/74**

(58) **Field of Classification Search**  
USPC ..... D26/74, 72, 75, 76, 77, 78, 85, 88, 89, D26/118, 138, 141; 362/364, 365, 373, 362/145, 146, 147, 148, 150, 153, 153.1, 362/294, 296.01, 296, 296.08  
CPC ..... F21V 29/2262; F21V 7/06; F21V 21/044; F21V 21/047; F21V 29/2212; F21V 29/2225; F21V 29/2256; F21V 29/225; F21V 29/2268; F21Y 2111/002; F21S 8/02; F21S 8/026  
See application file for complete search history.

(56) **References Cited**

**U.S. PATENT DOCUMENTS**

D330,268 S \* 10/1992 Jaksich ..... D26/74  
D604,894 S \* 11/2009 Peifer ..... D26/141

D614,792 S \* 4/2010 Fabbri ..... D26/120  
D632,004 S \* 2/2011 Waldmann ..... D26/76  
D678,586 S \* 3/2013 Mayfield, III ..... D26/74  
D698,969 S \* 2/2014 Johns ..... D26/74  
D773,098 S \* 11/2016 Czech ..... D26/76  
D784,593 S \* 4/2017 Ambrozus ..... D26/74  
D785,846 S \* 5/2017 Reynolds ..... D26/76  
D830,603 S \* 10/2018 Luo ..... D26/74  
D833,663 S \* 11/2018 Stromborg ..... D26/74  
2016/0116136 A1\* 4/2016 Bernard ..... F21V 15/01  
362/150  
2018/0279454 A1\* 9/2018 Takeshita ..... F21V 21/30

\* cited by examiner

*Primary Examiner* — Angela J Lee

(74) *Attorney, Agent, or Firm* — Payam Moradin

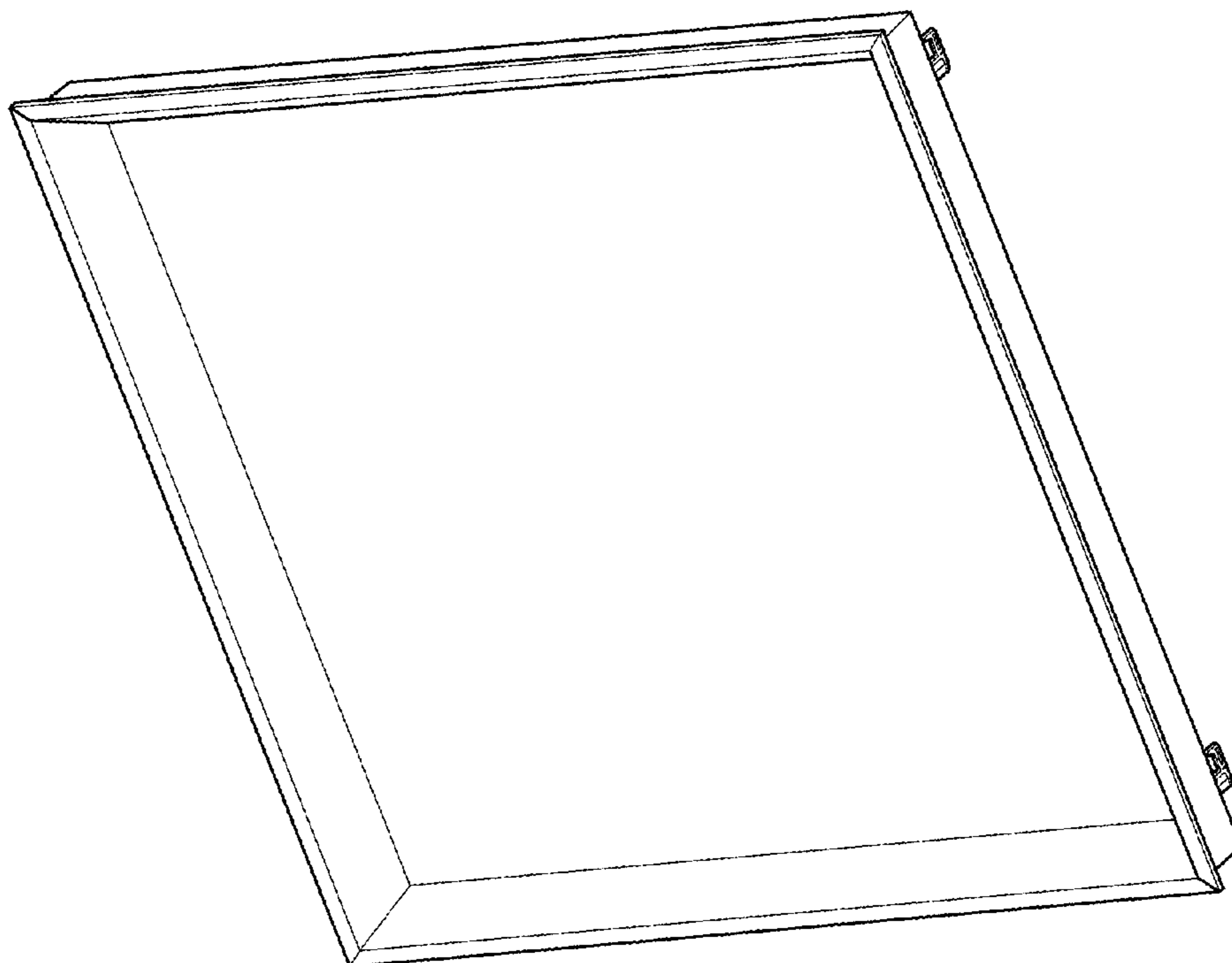
(57) **CLAIM**

I claim the ornamental design for a light fixture, as shown and described.

**DESCRIPTION**

FIG. 1 is a bottom perspective view of the light fixture; FIG. 2 is a bottom plane view thereof; FIG. 3 is a front side view thereof; FIG. 4 is a rear side view thereof; FIG. 5 is a left side view thereof; FIG. 6 is a right side view thereof; FIG. 7 is a top plan view thereof; and, FIG. 8 is a top perspective view thereof. The broken lines shown in the drawings represent portions of the light fixture that form no part of the claimed design.

**1 Claim, 8 Drawing Sheets**



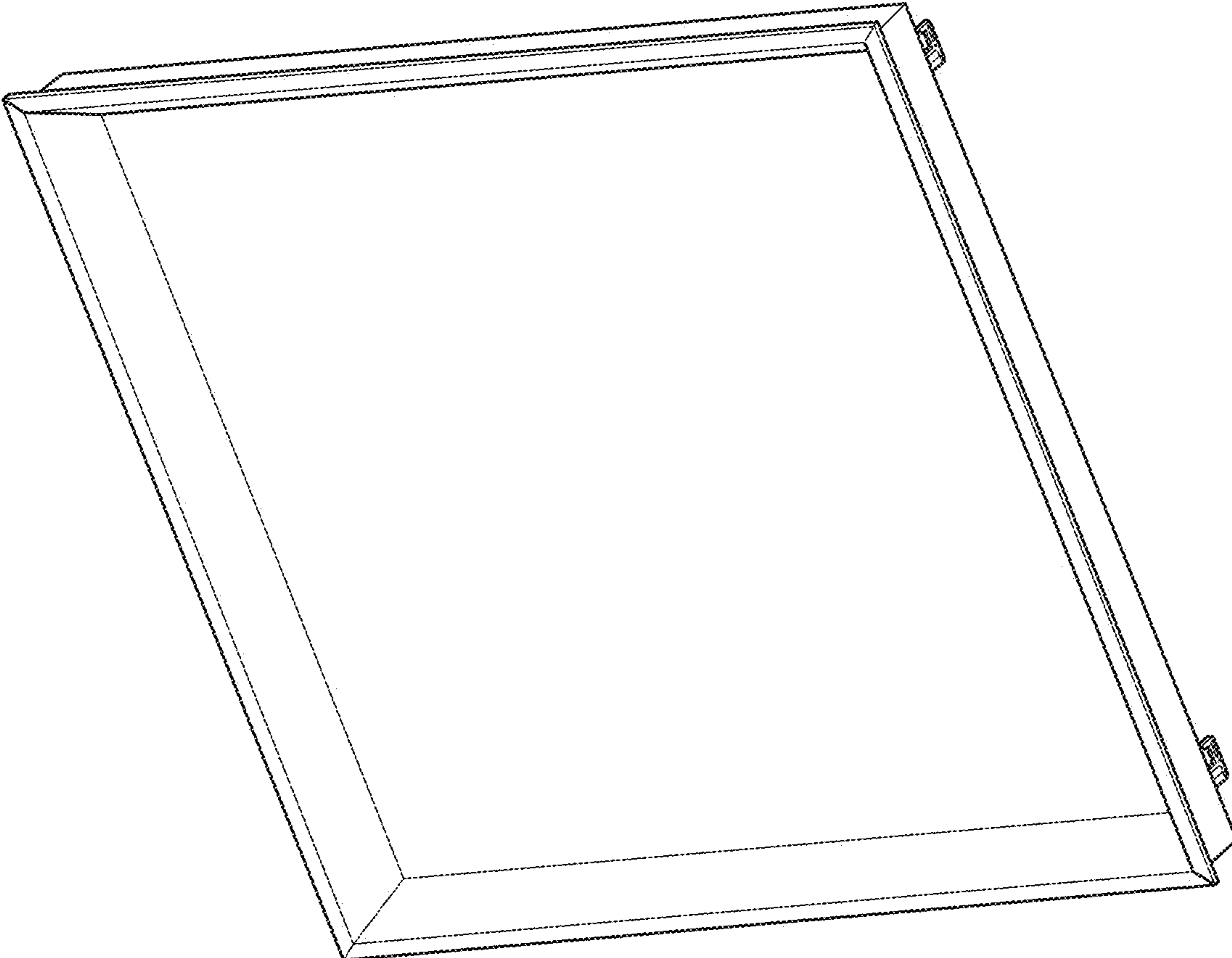
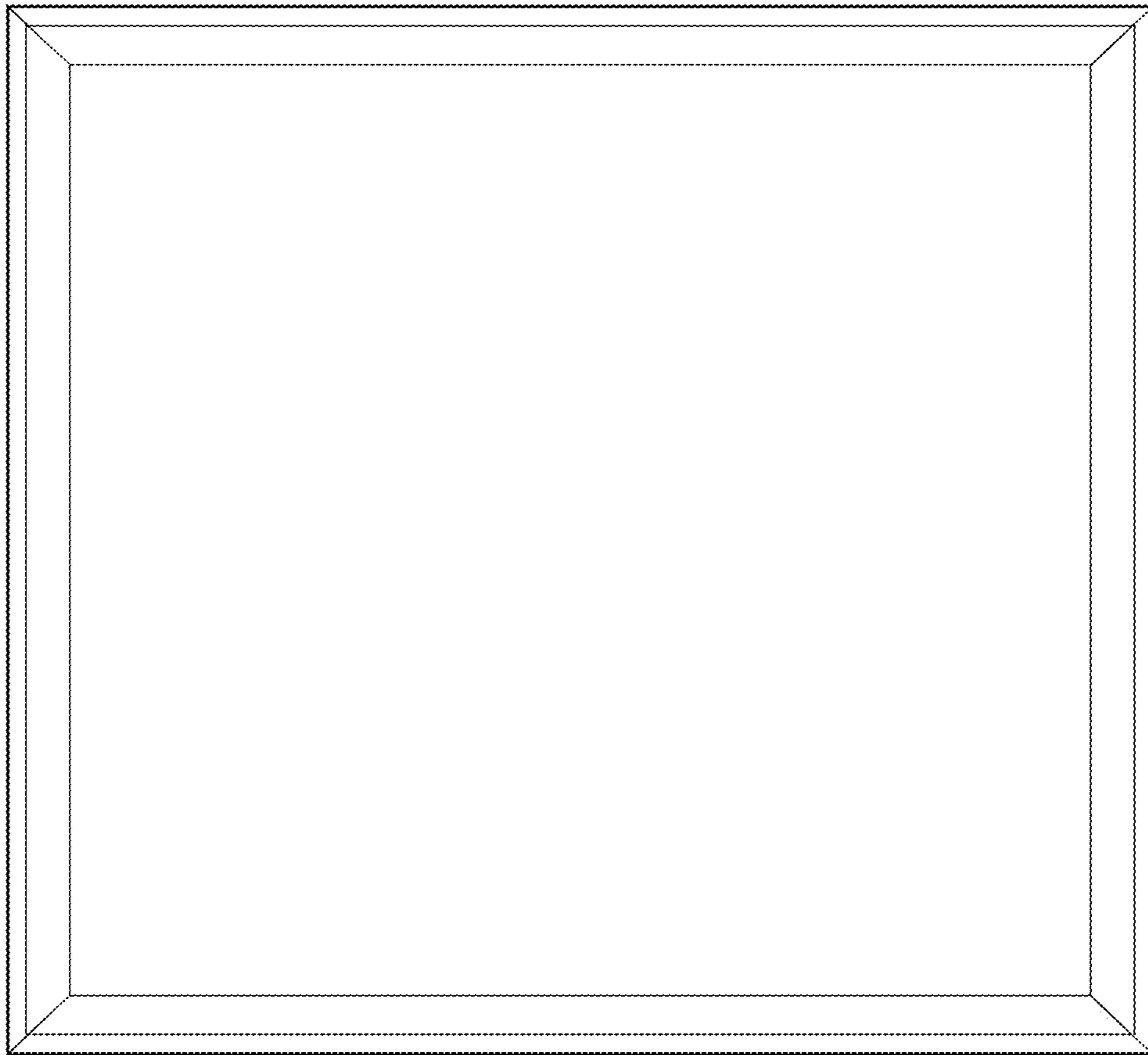


FIG. 1



**FIG. 2**

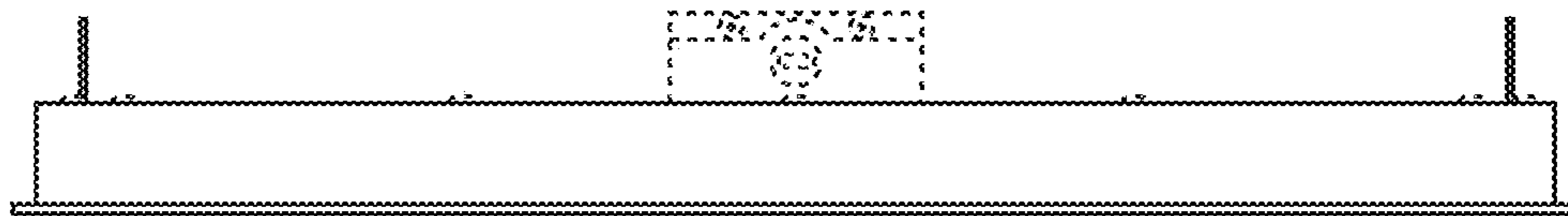
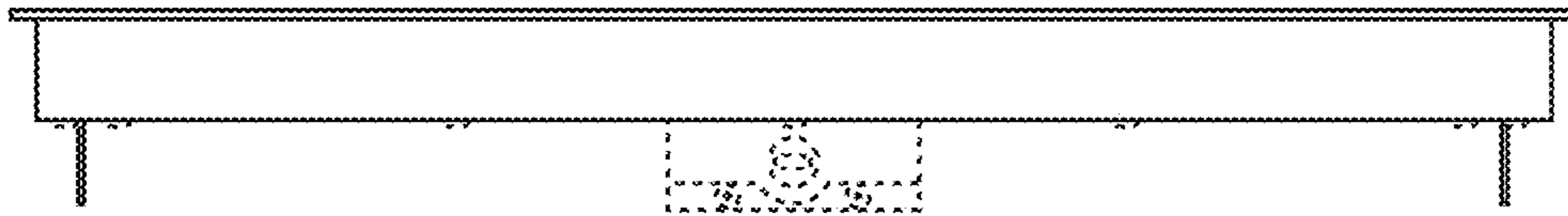


FIG. 3



**FIG. 4**

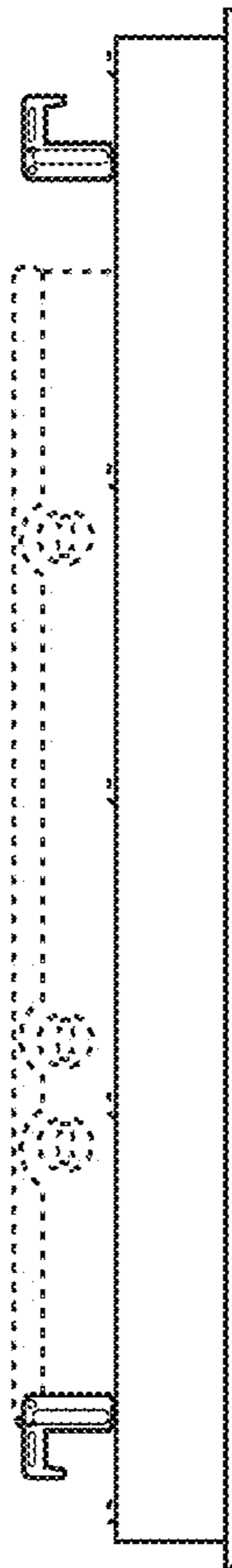


FIG. 5

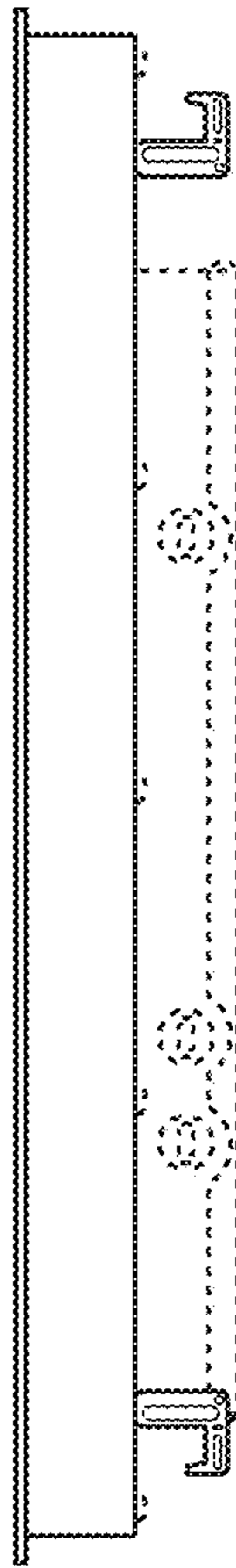


FIG. 6

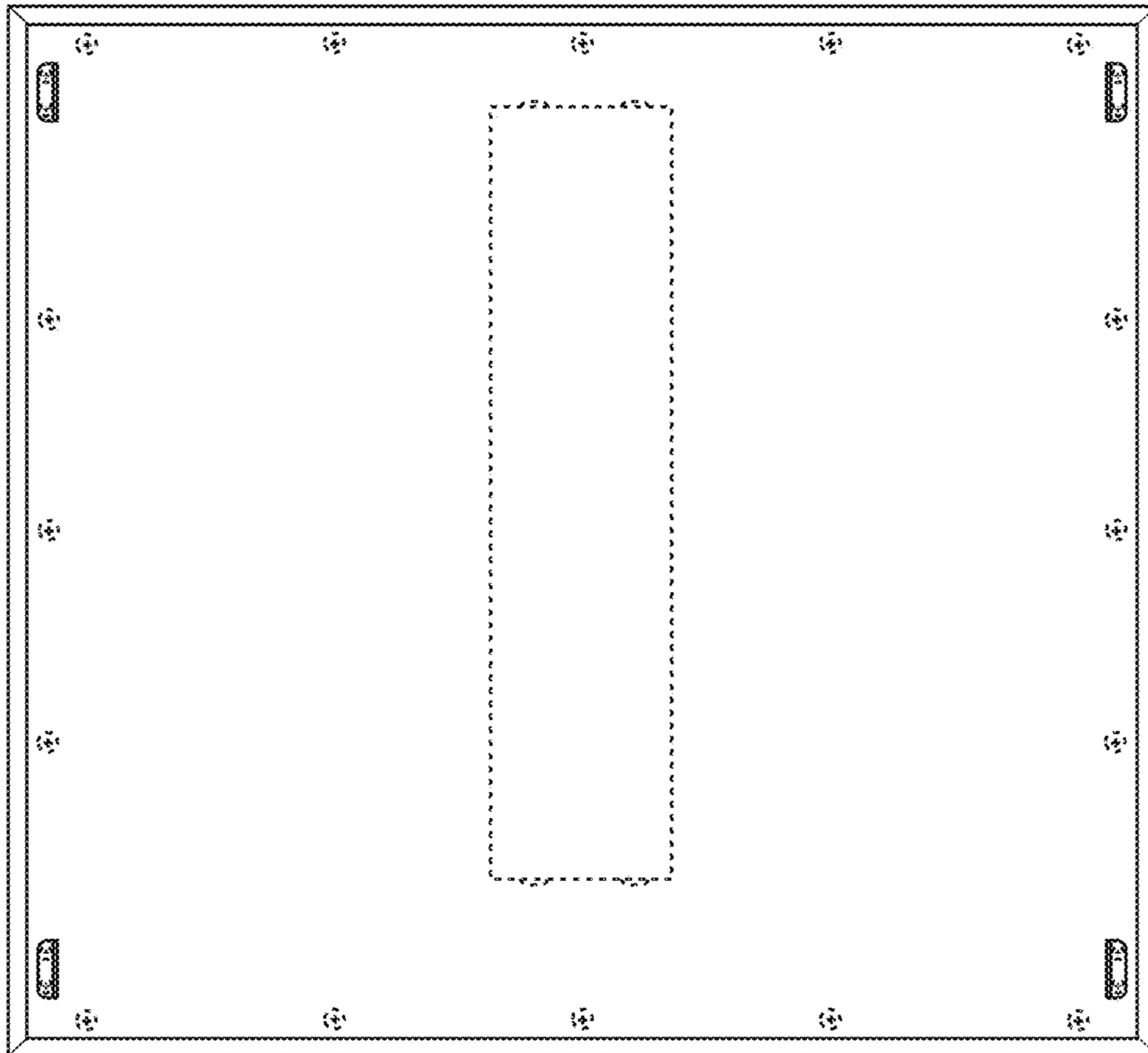


FIG. 7



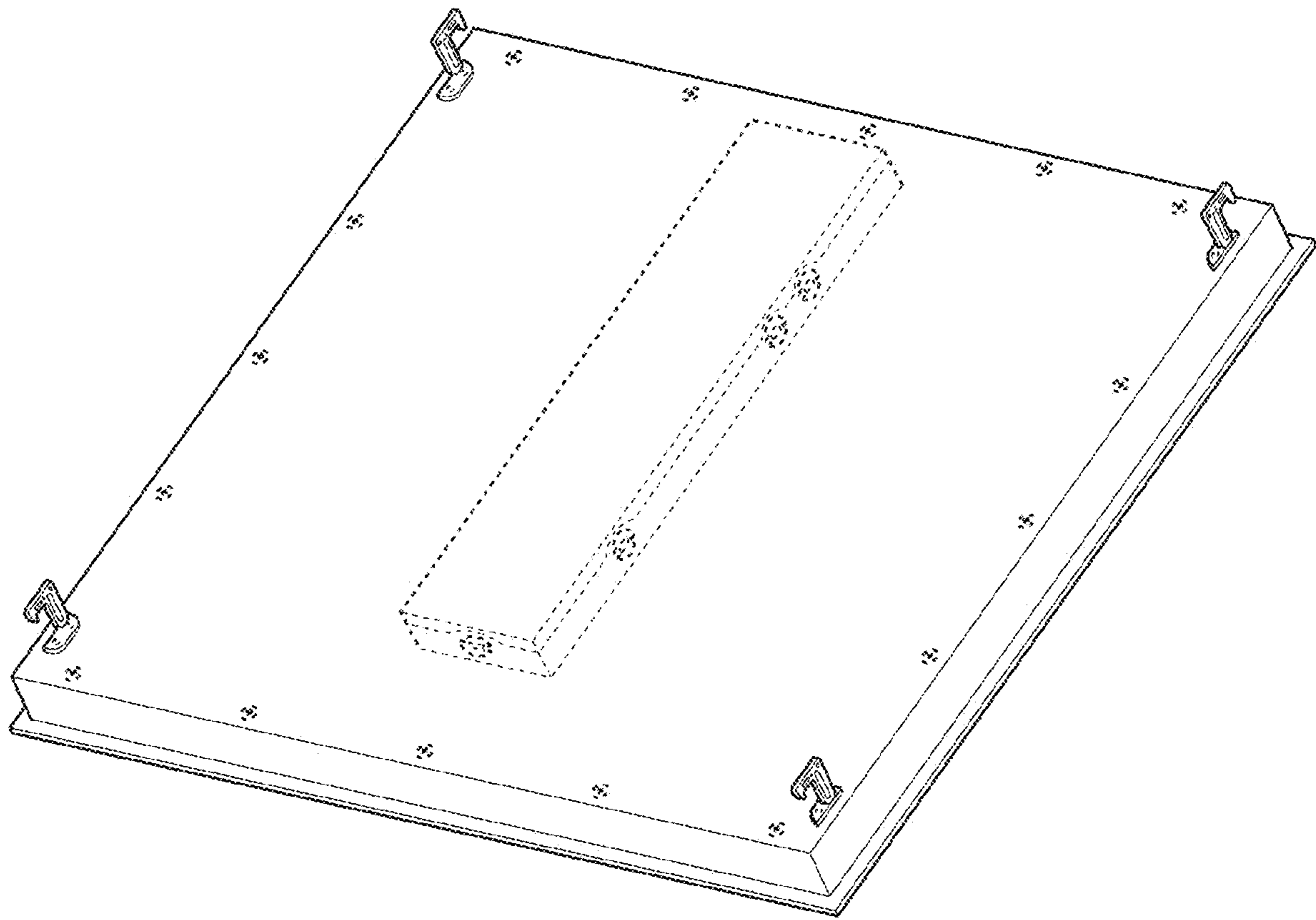


FIG. 8