

US00D898974S

(12) **United States Design Patent** (10) **Patent No.:** **US D898,974 S**
Hollinger (45) **Date of Patent:** **** Oct. 13, 2020**

(54) **LANDSCAPE LIGHT**
(71) Applicant: **E. MISHAN & SONS, INC.**, New York, NY (US)
(72) Inventor: **Fred Hollinger**, Monroe Township, NJ (US)
(73) Assignee: **E. MISHAN & SONS, INC.**, New York, NY (US)

6,406,163 B1 6/2002 Yang
D483,903 S 12/2003 Skradski
D483,904 S 12/2003 Skradski
6,729,742 B2 5/2004 Wismeth
D494,536 S 8/2004 Pu
D517,717 S 3/2006 Sanoner
(Continued)

FOREIGN PATENT DOCUMENTS

CN 200830247356.0 11/2009
CN 201530557956.7 6/2016
(Continued)

(**) Term: **15 Years**

(21) Appl. No.: **29/729,534**

(22) Filed: **Mar. 27, 2020**

(51) **LOC (12) Cl.** **26-05**

(52) **U.S. Cl.**
USPC **D26/73; D26/67**

(58) **Field of Classification Search**
USPC D26/67-70, 73, 85
CPC .. F21S 8/022; F21S 8/032; F21S 8/036; F21S 8/081; F21S 8/083; F21S 8/088; F21S 9/037; F21S 10/046; F21V 21/0824; F21W 2111/02; F21W 2111/023
See application file for complete search history.

(56) **References Cited**

U.S. PATENT DOCUMENTS

4,835,644 A 5/1989 Wen
5,055,984 A 10/1991 Hung
5,803,594 A * 9/1998 Fredrickson F21V 1/22
362/351
6,013,985 A 1/2000 Green
6,131,321 A 10/2000 Daigle, Jr.
D438,322 S 2/2001 Skradski
D445,523 S 7/2001 Skradski
D450,150 S 11/2001 Skradski
D451,618 S 12/2001 Skradski
D451,619 S 12/2001 Skradski
6,339,188 B1 1/2002 Voelkner
D457,677 S 5/2002 Landefeld

OTHER PUBLICATIONS

Paw Print Birthday Special Occasion Cookie Cutter, sold by YNG LLC. at amazon.com Dec. 13, 2017. (Year: 2017).*
(Continued)

Primary Examiner — Clare E Heflin
(74) *Attorney, Agent, or Firm* — Notaro, Michalos & Zaccaria P.C.

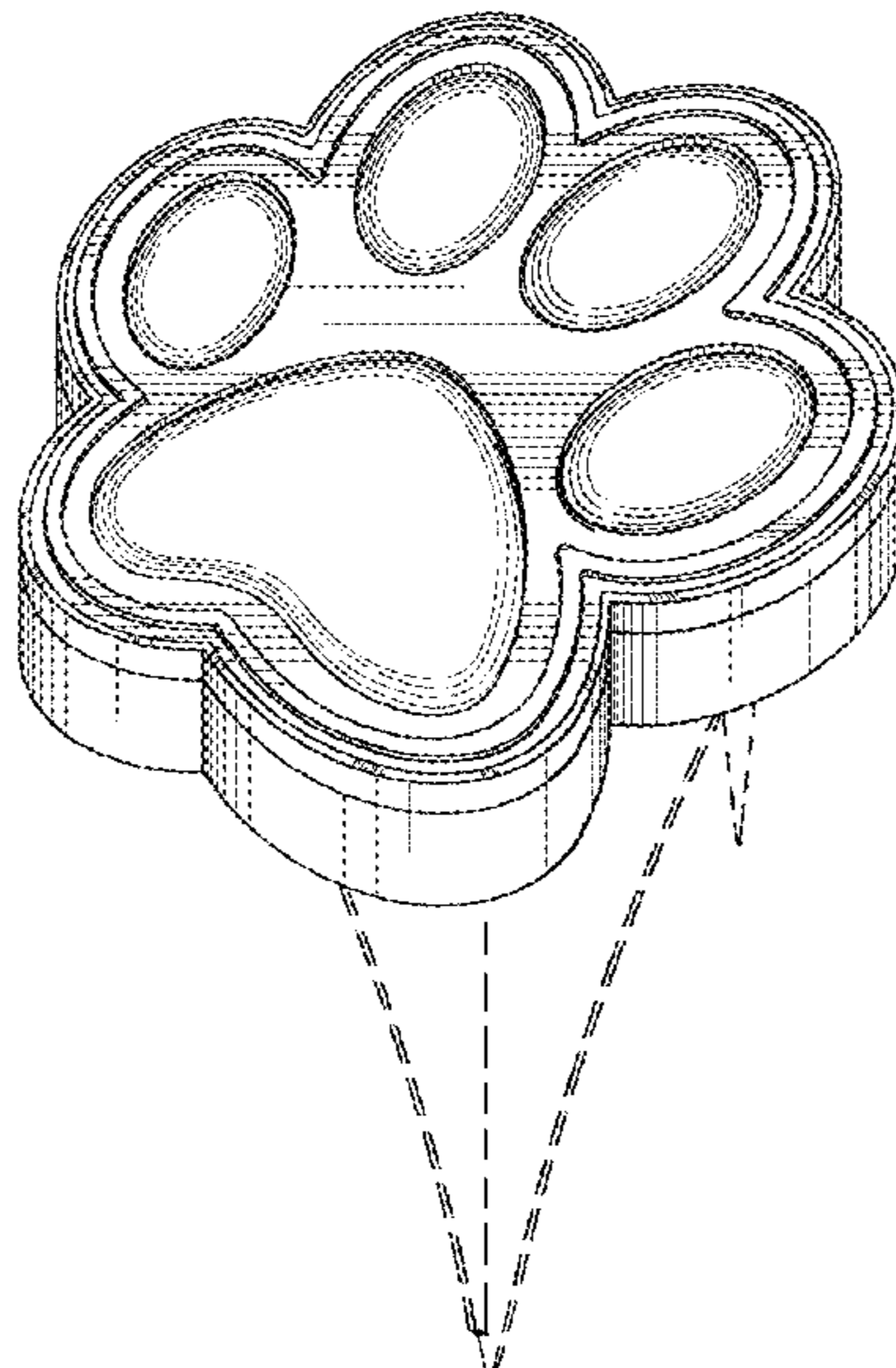
(57) **CLAIM**

The ornamental design for a landscape light, as shown and described.

DESCRIPTION

FIG. 1 is a front, left, top perspective view of a landscape light showing my design therefor;
FIG. 2 is a top plan view thereof;
FIG. 3 is a bottom plan view thereof;
FIG. 4 is a right side view thereof;
FIG. 5 is a left side view thereof;
FIG. 6 is a rear elevational view thereof; and,
FIG. 7 is a front elevational view thereof.
The broken lines shown on the drawings depict portions of the landscape light that form no part of the claimed design.

1 Claim, 7 Drawing Sheets



(56)

References Cited

U.S. PATENT DOCUMENTS

D517,719 S 3/2006 Sanoner
 7,029,144 B2 4/2006 Fu
 7,172,307 B2 2/2007 Izardel
 7,196,477 B2 3/2007 Richmond
 D551,791 S 9/2007 Sanoner
 D555,278 S 11/2007 Sanoner
 D556,933 S 12/2007 Sanoner
 D574,104 S 7/2008 Sanoner
 7,429,827 B2 9/2008 Richmond
 7,503,669 B2 3/2009 Rizkin
 7,588,349 B2 9/2009 Yen
 D605,326 S 12/2009 Sanoner
 D616,129 S 5/2010 Sanoner
 7,887,214 B2 2/2011 Chang
 D642,722 S 8/2011 Oberpriller
 8,186,857 B2 5/2012 Porter
 8,203,285 B2 6/2012 Chen
 8,220,959 B2 7/2012 Rizkin
 8,222,823 B2 7/2012 Hsu
 8,292,452 B2 10/2012 Ko
 8,348,452 B2 1/2013 Zheng
 8,362,700 B2 1/2013 Richmond
 8,454,208 B2 6/2013 Porter
 8,602,585 B1 12/2013 Lowe
 D698,061 S 1/2014 Burke
 8,632,234 B1 1/2014 Lowe
 8,664,866 B2 3/2014 Kay
 8,845,126 B1 9/2014 Martzall
 D743,079 S 11/2015 Adair
 9,175,821 B2 11/2015 Adair
 9,222,634 B2 12/2015 Zhu
 9,273,841 B2 3/2016 Philhower
 9,335,013 B2 5/2016 Martzall
 9,389,367 B2 7/2016 Yuan
 D770,076 S 10/2016 Li
 9,572,304 B2 2/2017 Harari
 9,657,909 B2 5/2017 Cohen
 D800,940 S 10/2017 Guzzini
 9,869,459 B2 1/2018 Lentine
 D822,253 S 7/2018 Wu
 D834,233 S * 11/2018 Mishan D26/67
 D834,515 S 11/2018 Zhang
 D838,891 S * 1/2019 Mishan D26/67
 D841,873 S 2/2019 Hollinger
 D841,879 S 2/2019 Hollinger
 D842,521 S * 3/2019 Hollinger D26/67
 D842,522 S * 3/2019 Mishan D26/67
 D842,523 S * 3/2019 Mishan D26/67
 10,309,590 B2 6/2019 Hollinger
 D864,452 S * 10/2019 Wei D26/67
 D866,839 S * 11/2019 Yan D26/67
 D881,436 S * 4/2020 Yan D26/67
 10,619,810 B1 * 4/2020 Hwang F21V 3/00
 D885,631 S * 5/2020 Li D26/67
 2003/0137831 A1 7/2003 Lin
 2006/0012996 A1 1/2006 Tseng
 2006/0187656 A1 8/2006 Kuelbs
 2007/0002561 A1 1/2007 Tesmer
 2007/0121317 A1 5/2007 Huang
 2007/0263381 A1 11/2007 Goldman

2009/0027900 A1 1/2009 Janos
 2009/0059572 A1 3/2009 Wang
 2011/0013384 A1 1/2011 Lu
 2011/0310597 A1 12/2011 Lu
 2016/0230972 A1 8/2016 Choi
 2016/0238221 A1 8/2016 Lentine
 2017/0135226 A1 5/2017 Chen
 2017/0159927 A1 * 6/2017 Hui F21V 31/00
 2017/0184260 A1 6/2017 Munoz Abogabir
 2017/0191631 A1 7/2017 Lentine
 2018/0149350 A1 * 5/2018 Johnson-Gray F21S 9/035

FOREIGN PATENT DOCUMENTS

EM 000380670-0001 8/2005
 EM 002733949-0041 7/2015
 EM 004129167-0001 8/2017
 EM 004362432-0002 9/2017
 EM 004426237-0004 10/2017

OTHER PUBLICATIONS

Pet Memorial—Concrete paw prints sold by The Concrete Daisy at etsy.com as early as May 16, 2019 (Year: 2019).*

Obrecis Outdoor LED Solar Dog / Cat Animal Paw Print Lights by Obrecis sold at amazon.com as early as Feb. 4, 2019. (Year: 2019).*

Newpowa LED Solar Paw Print Outdoor Decor Solar Light sold at amazon.com as early as Jun. 4, 2020 (Year: 2020).*

Dec. 5, 2017 “Wenjuan 8 LED Solar Power Buried Light Ground Lamp Outdoor Path Way Garden Decking” [https://www.amazon.com/Wenjuan-Buried-Ground-Outdoor-Decking/dp/B077Z4QT5L/].

Dec. 16, 2017 “Solar Underground Light,Rambling 8LED Power Buried Light Under Ground Lamp Waterproof Outdoor Path Way Garden Decking Auto On Off Switch Cool White” [https://www.amazon.com/Underground-Rambling-Waterproof-Outdoor-Decking/dp/B078G56VLP/].

Dec. 24, 2017 “8-LEDs Solar Power Ground Light, ONEVER Spike Lighting Built-in Light Sensor IPX4 Waterproof for Path Floor Yard Driveway Lawn Pathway (Pack of 4X)” [https://www.amazon.com/ONEVER-Lighting-Waterproof-Driveway-Pathway/dp/B078LW7ZLT/].

May 26, 2017 “NUMARDA 4Pcs 4 LED Solar Powered Ground Lights Outdoor lamp Waterproof LED Solar Path Lights Garden Landscape Spike Lighting for Yard Driveway Lawn Pathway—White” [https://www.amazon.com/Powered-Waterproof-Landscape-Lighting-Driveway/dp/B07125KXLW/].

Jun. 8, 2017 “Hometom Solar Powered Ground Light Outdoor Lights Waterproof LED Solar Path Lights Garden Landscape Lighting—4 Pack” [https://www.amazon.com/Powered-Outdoor-Waterproof-Landscape-Lighting/dp/B07BQY5M5H/].

Jun. 24, 2017 “Solar Powered Ground Light, Alvivi Outdoor Waterproof Garden Pathway Lights with 4 LEDs, Walkway Lights for Home, Yard, Driveway, Lawn, 4 Pack (White)” [https://www.amazon.com/Powered-Alvivi-Outdoor-Waterproof-Driveway/dp/B073XLD3KN/].

Aug. 24, 2016 “CST Lighting Solar Ground Light 4-Pack, for Garden Landscape Lighting, Pathway, Stairway” [https://www.amazon.com/dp/B01KY78O8S].

* cited by examiner

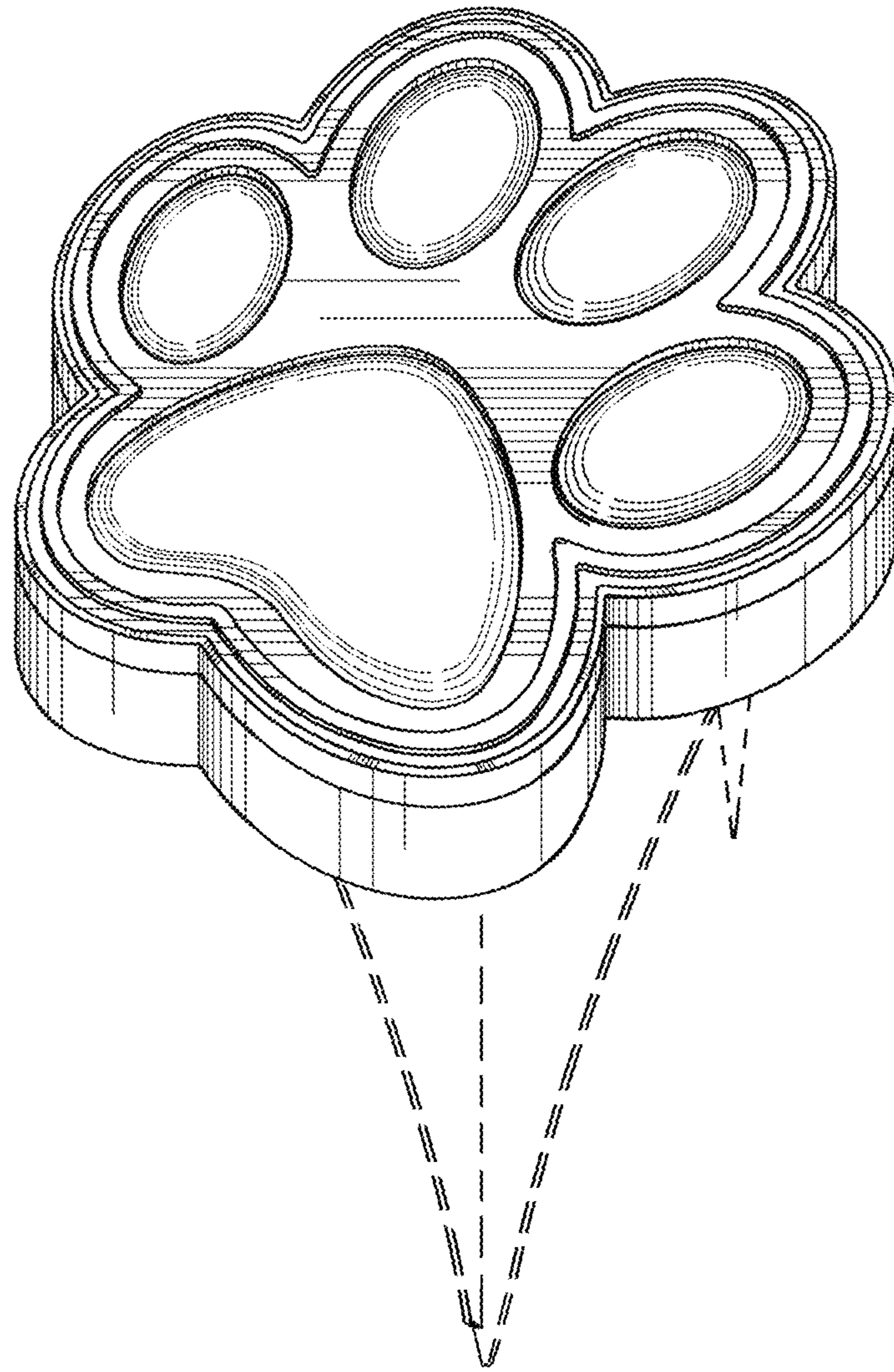


Fig.1

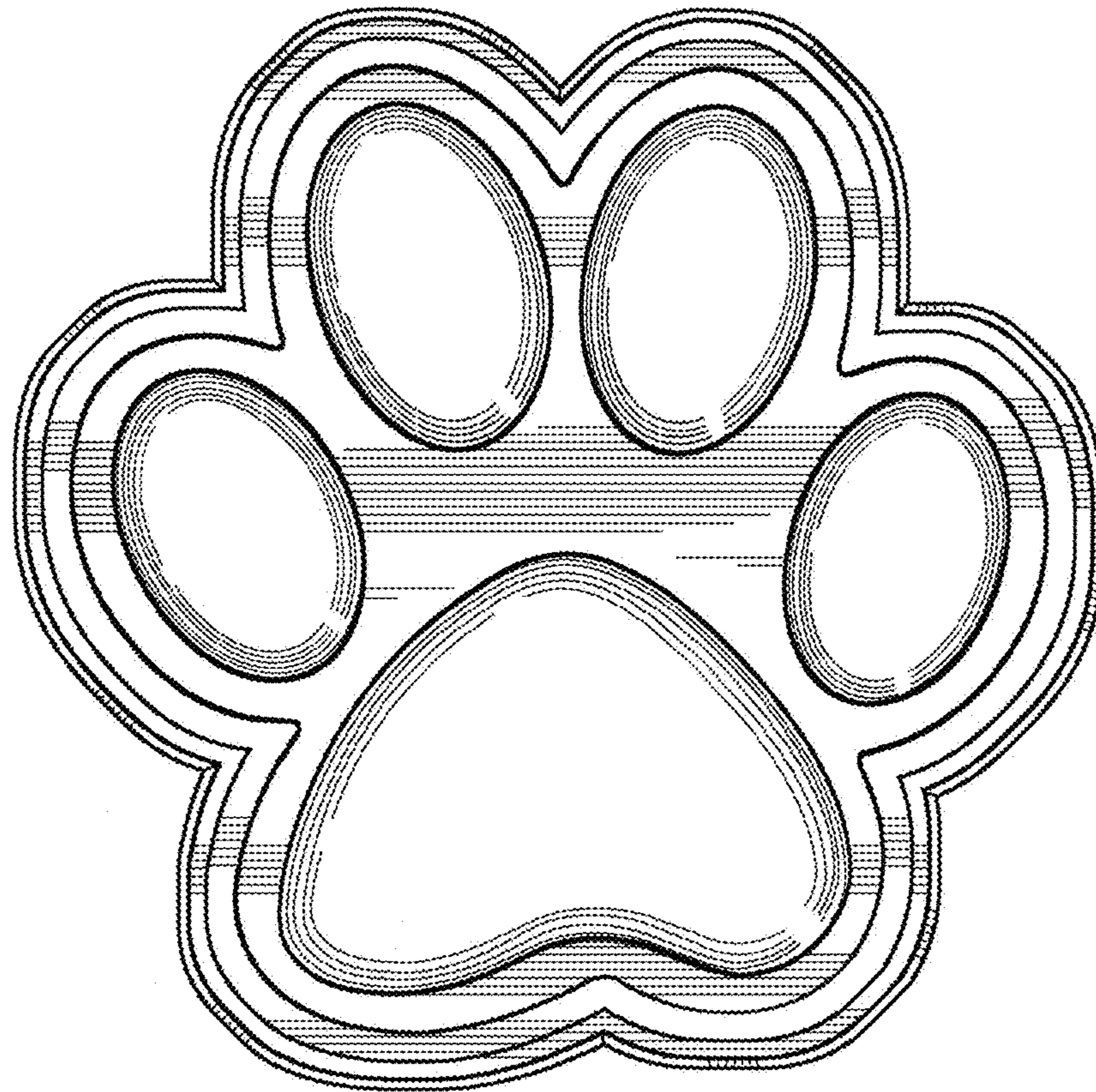


Fig.2

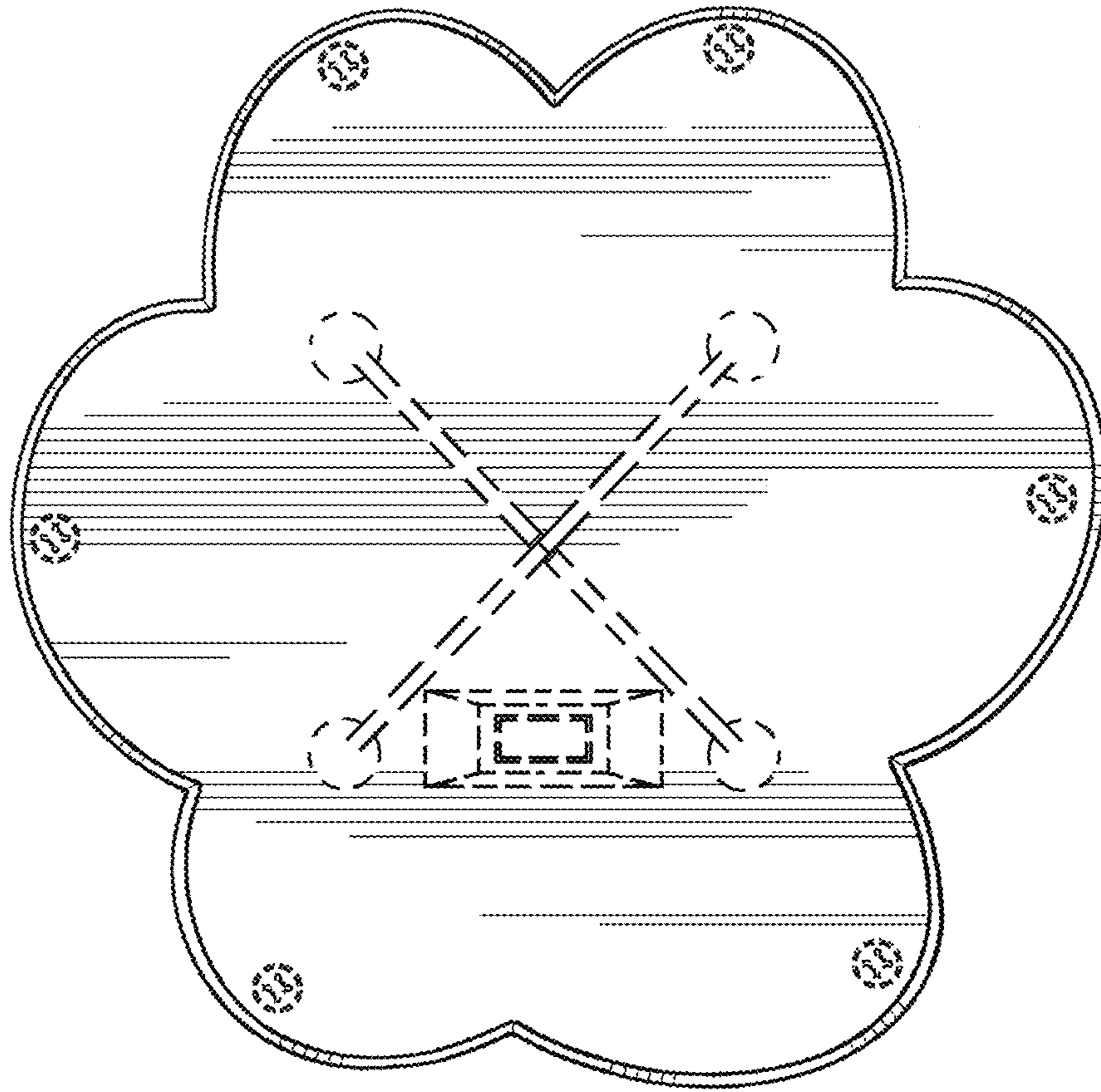


Fig.3

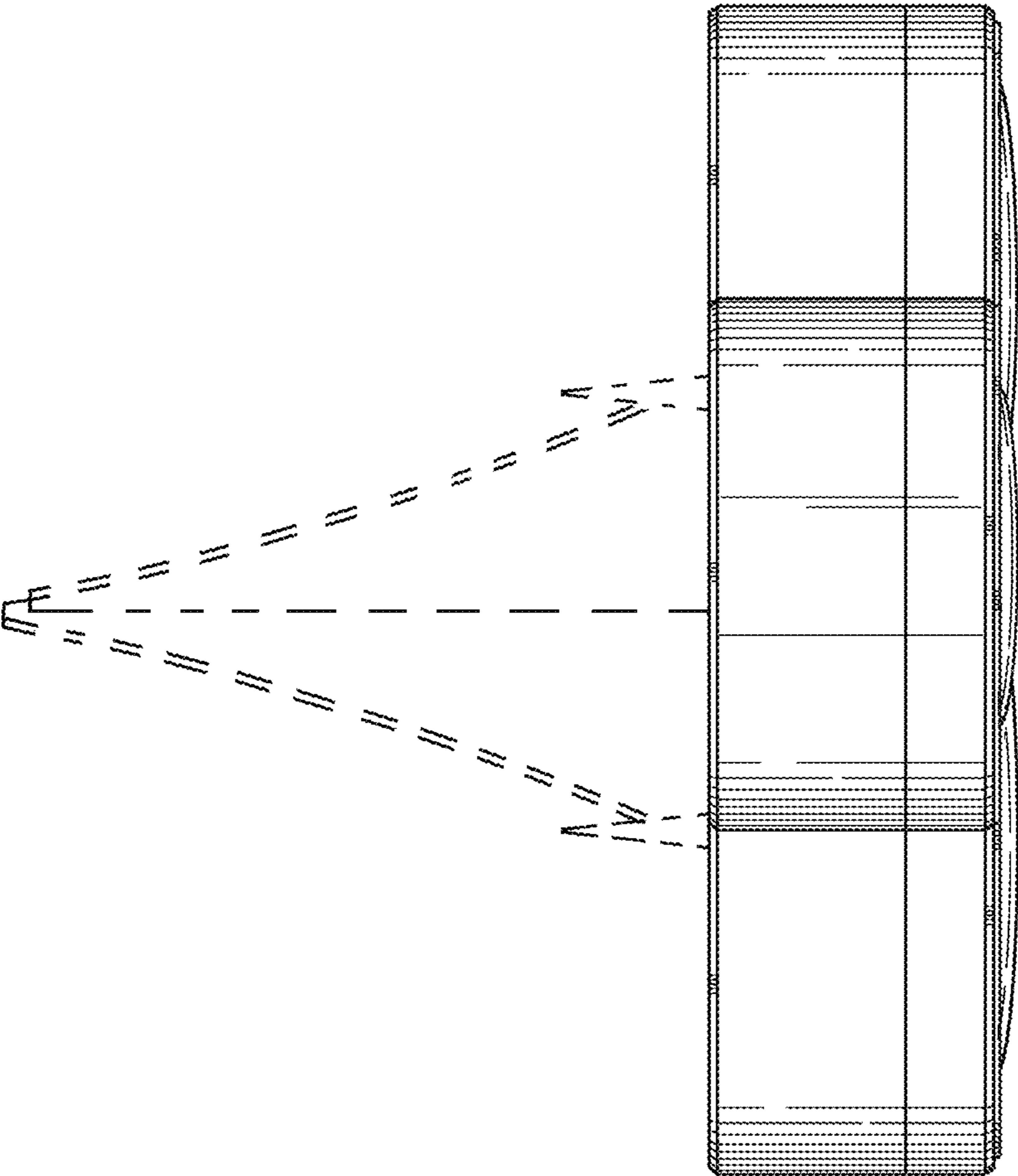


Fig. 4

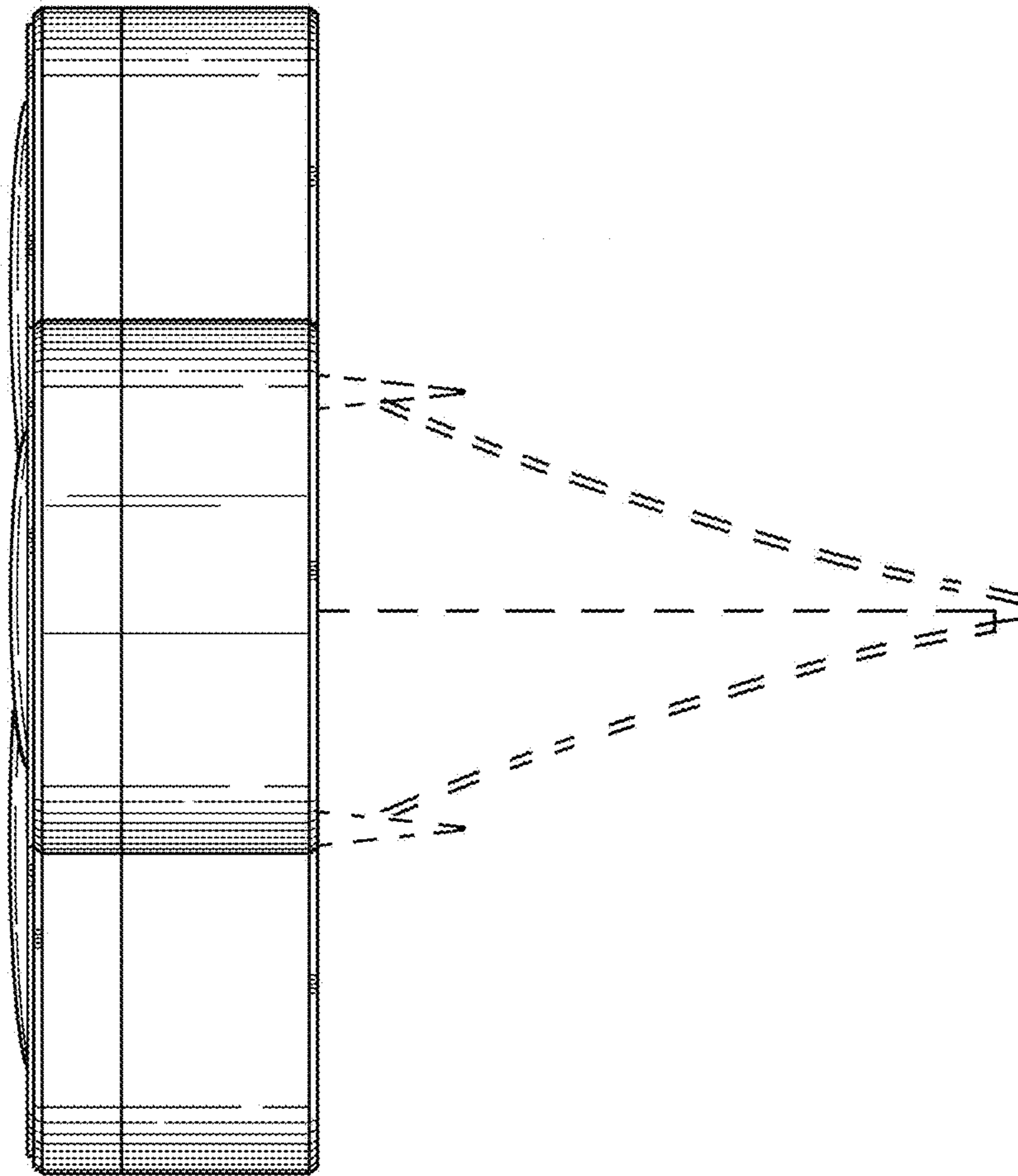


Fig. 5

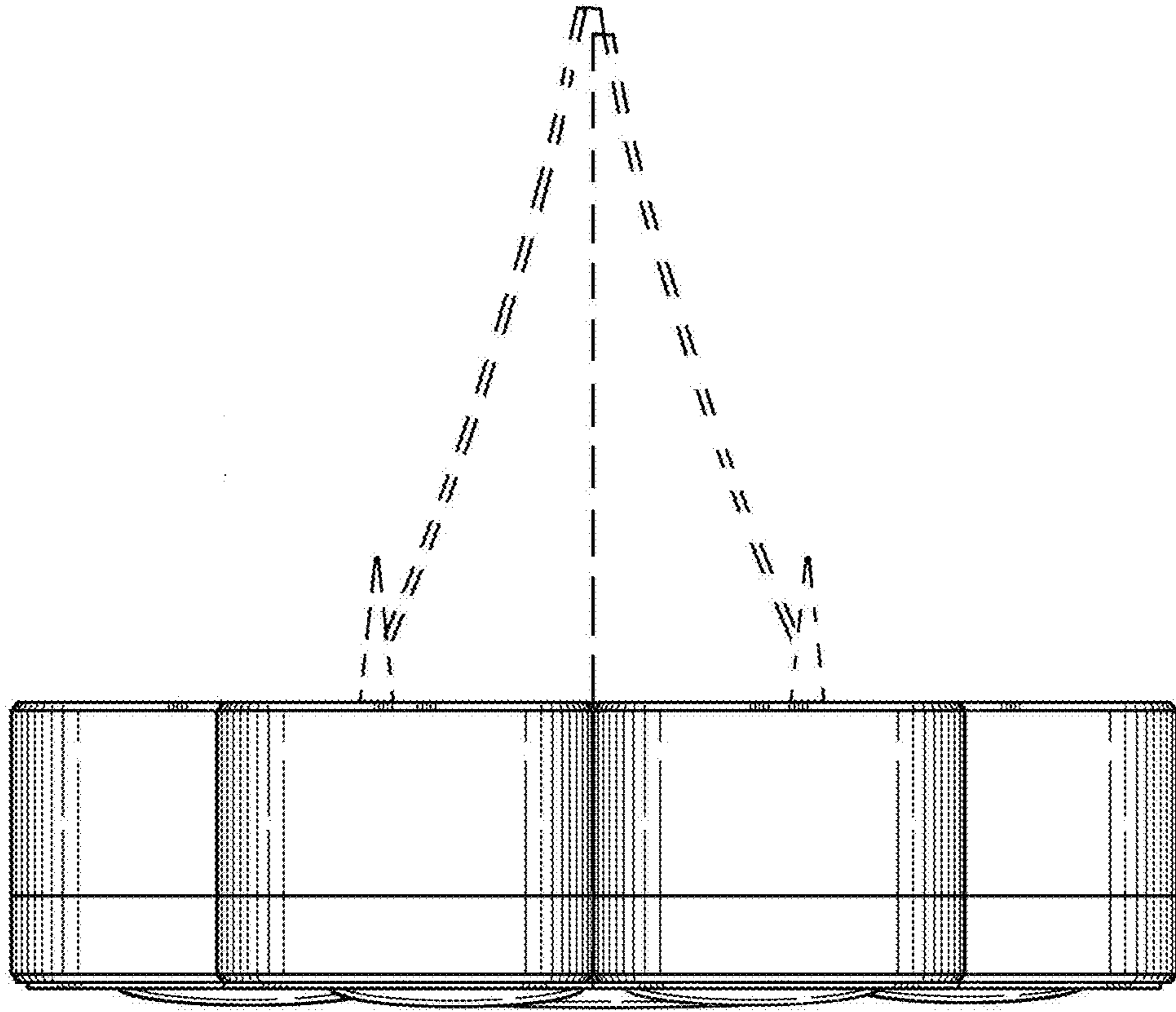


Fig. 6

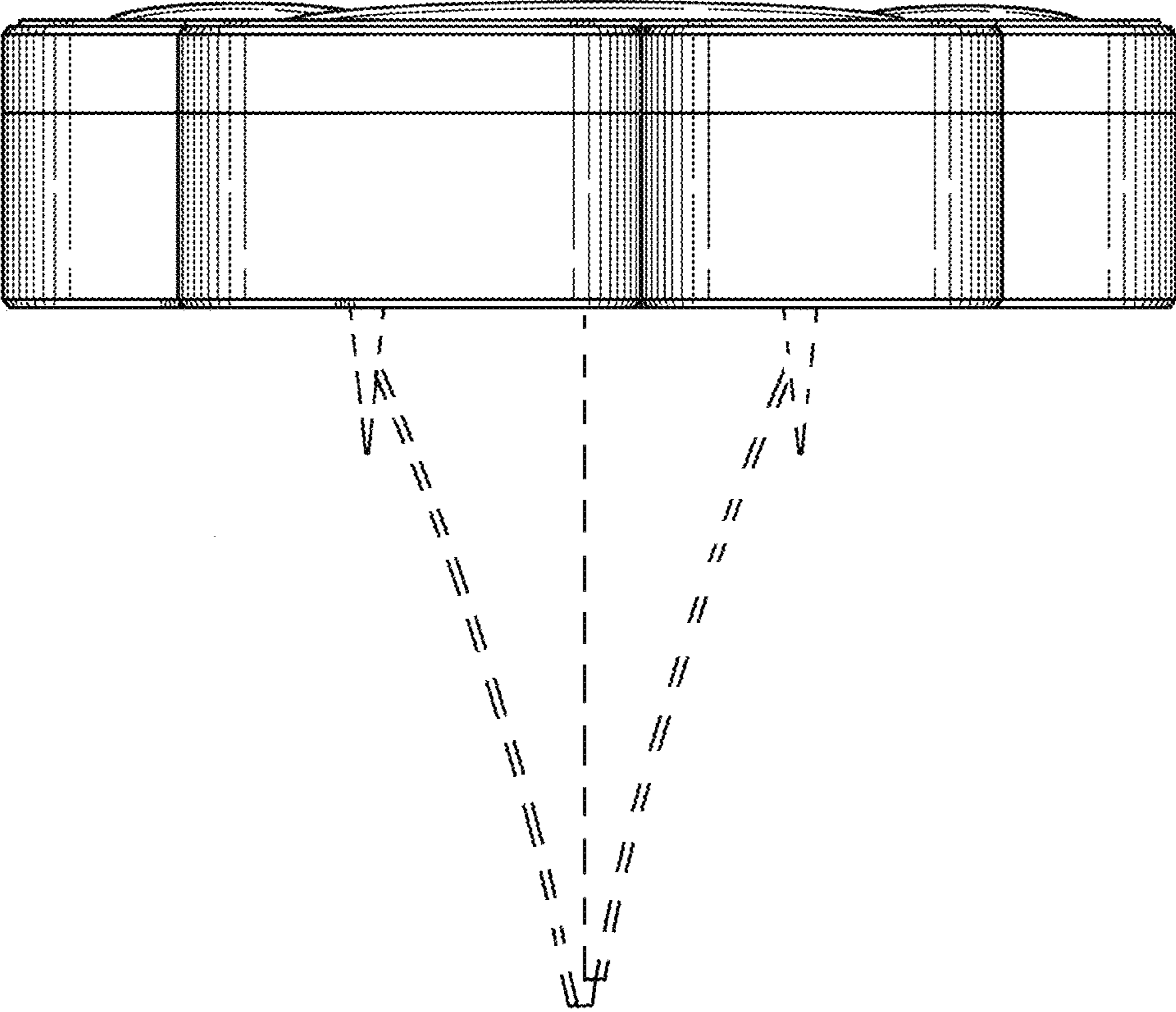


Fig.7