



US00D898971S

(12) **United States Design Patent** (10) **Patent No.:** **US D898,971 S**  
**Ko** (45) **Date of Patent:** **\*\* Oct. 13, 2020**

(54) **LED LAMP**

(71) Applicants: **VISION X ASIA CO., LTD.**,  
Hwaseong-si (KR); **In Hong Ko**, Seoul  
(KR)

(72) Inventor: **In Hong Ko**, Seoul (KR)

(73) Assignees: **VISION X ASIA CO., LTD.**,  
Gyeonggi-do (KR); **In Hong Ko**, Seoul  
(KR)

(\*\*) Term: **15 Years**

(21) Appl. No.: **29/688,296**

(22) Filed: **Apr. 19, 2019**

(30) **Foreign Application Priority Data**

Oct. 22, 2018 (KR) ..... 30-2018-0048409

(51) **LOC (12) Cl.** ..... **26-03**

(52) **U.S. Cl.**  
USPC ..... **D26/65**

(58) **Field of Classification Search**  
USPC ..... D26/60-66, 72, 86, 102, 85, 87, 92  
CPC ..... F21Y 2103/002; F21Y 2101/02; F21S  
10/00; F21V 21/30; F21V 14/02; F21V  
21/00

See application file for complete search history.

(56) **References Cited**

U.S. PATENT DOCUMENTS

D711,577 S \* 8/2014 Zhan ..... D26/65  
D863,641 S \* 10/2019 Miyawaki ..... D26/63  
D884,245 S \* 5/2020 Ke ..... D26/65

\* cited by examiner

*Primary Examiner* — Brian N. Vinson

(74) *Attorney, Agent, or Firm* — Cantor Colburn LLP

(57) **CLAIM**

The ornamental design for an LED lamp, as shown and described.

**DESCRIPTION**

FIG. 1 is a top, front and right side perspective view of an LED lamp showing my new design;

FIG. 2 is a rear, bottom and left side perspective view thereof;

FIG. 3 is a front elevational view thereof;

FIG. 4 is a rear elevational view thereof;

FIG. 5 is a left side elevational view thereof;

FIG. 6 is a right side elevational view thereof;

FIG. 7 is a top plan view thereof; and,

FIG. 8 is a bottom plan view thereof.

The broken line disclosure represents portions of the lamp which form no part of the claimed design.

**1 Claim, 7 Drawing Sheets**

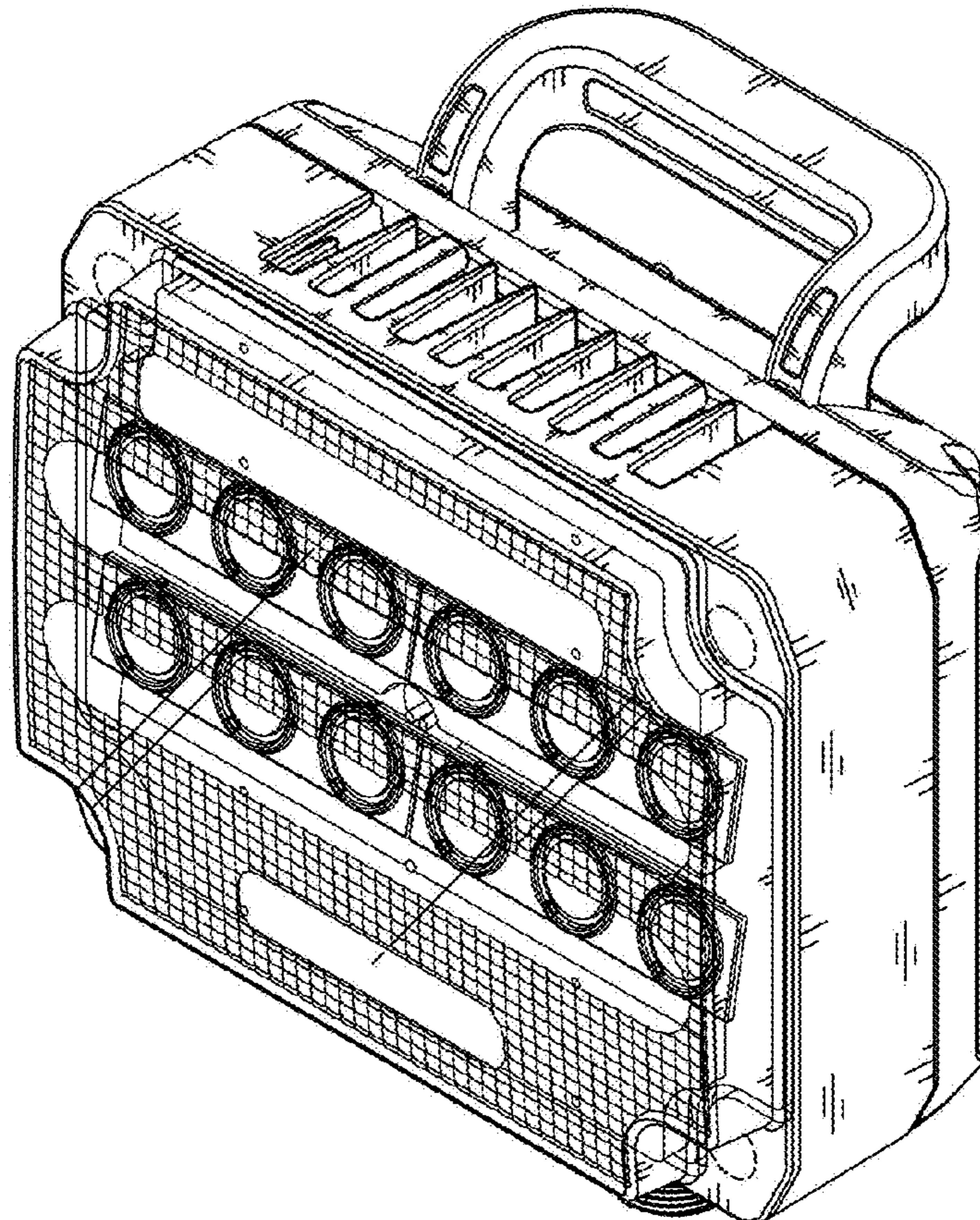




FIG. 1

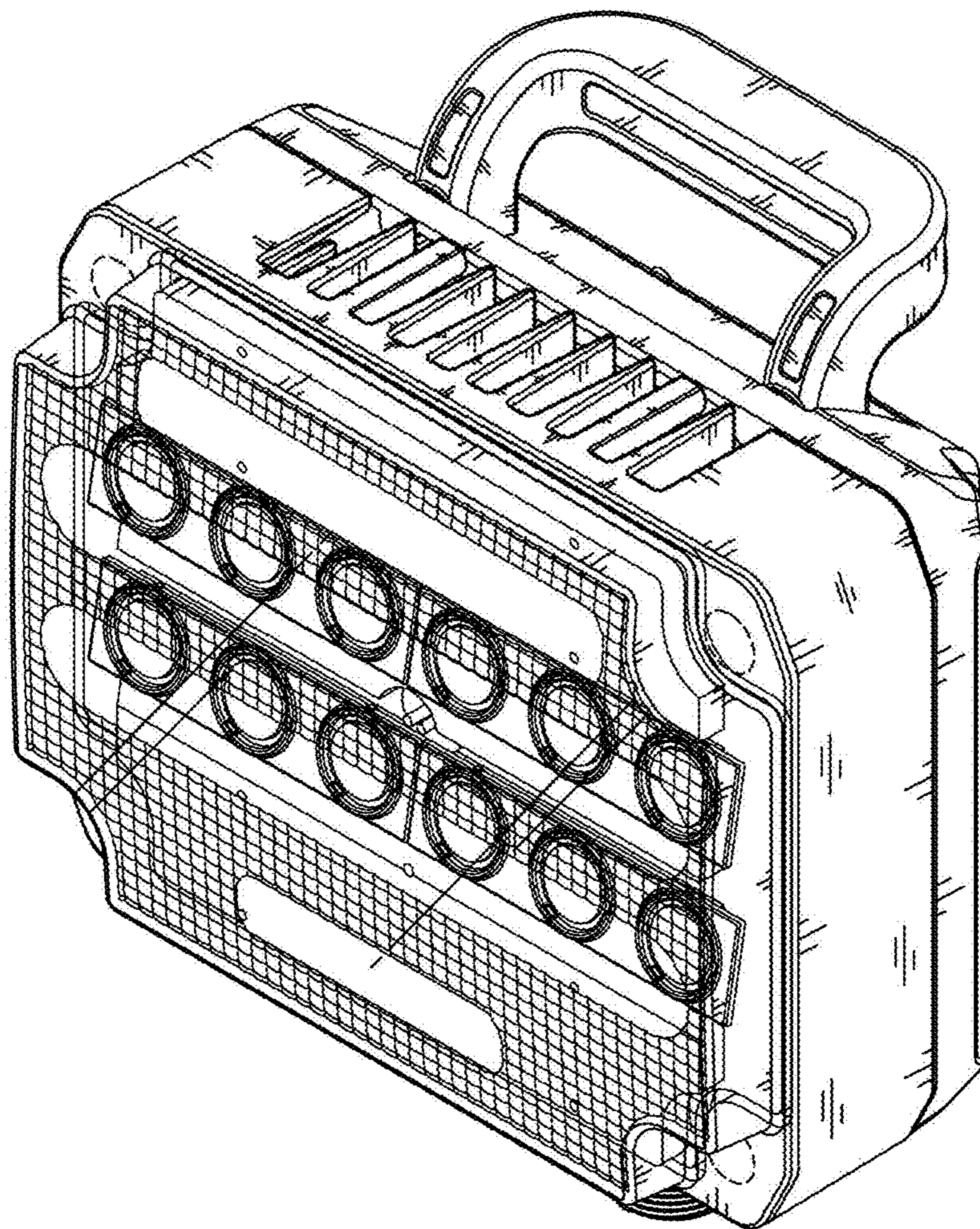


FIG. 2

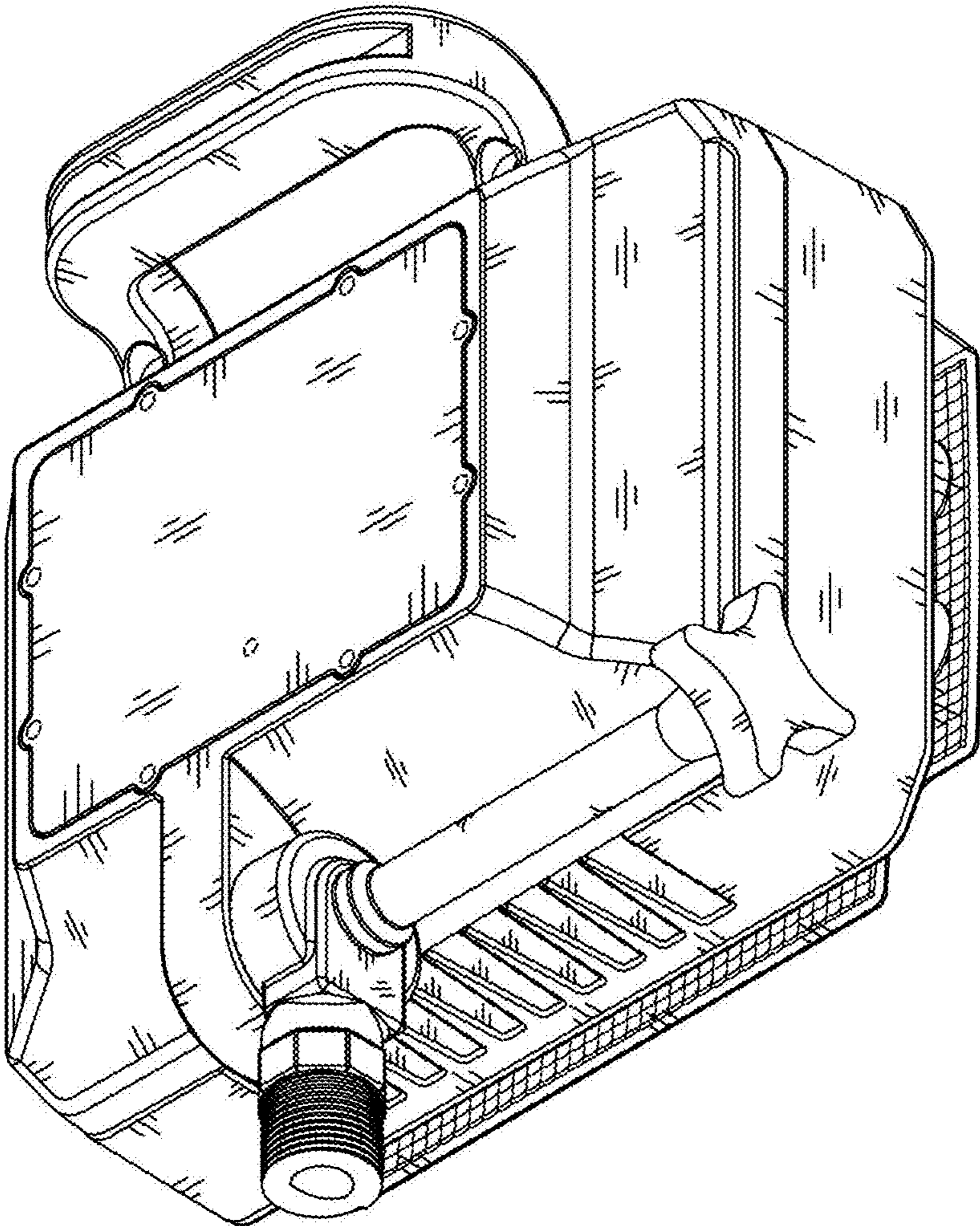




FIG. 3

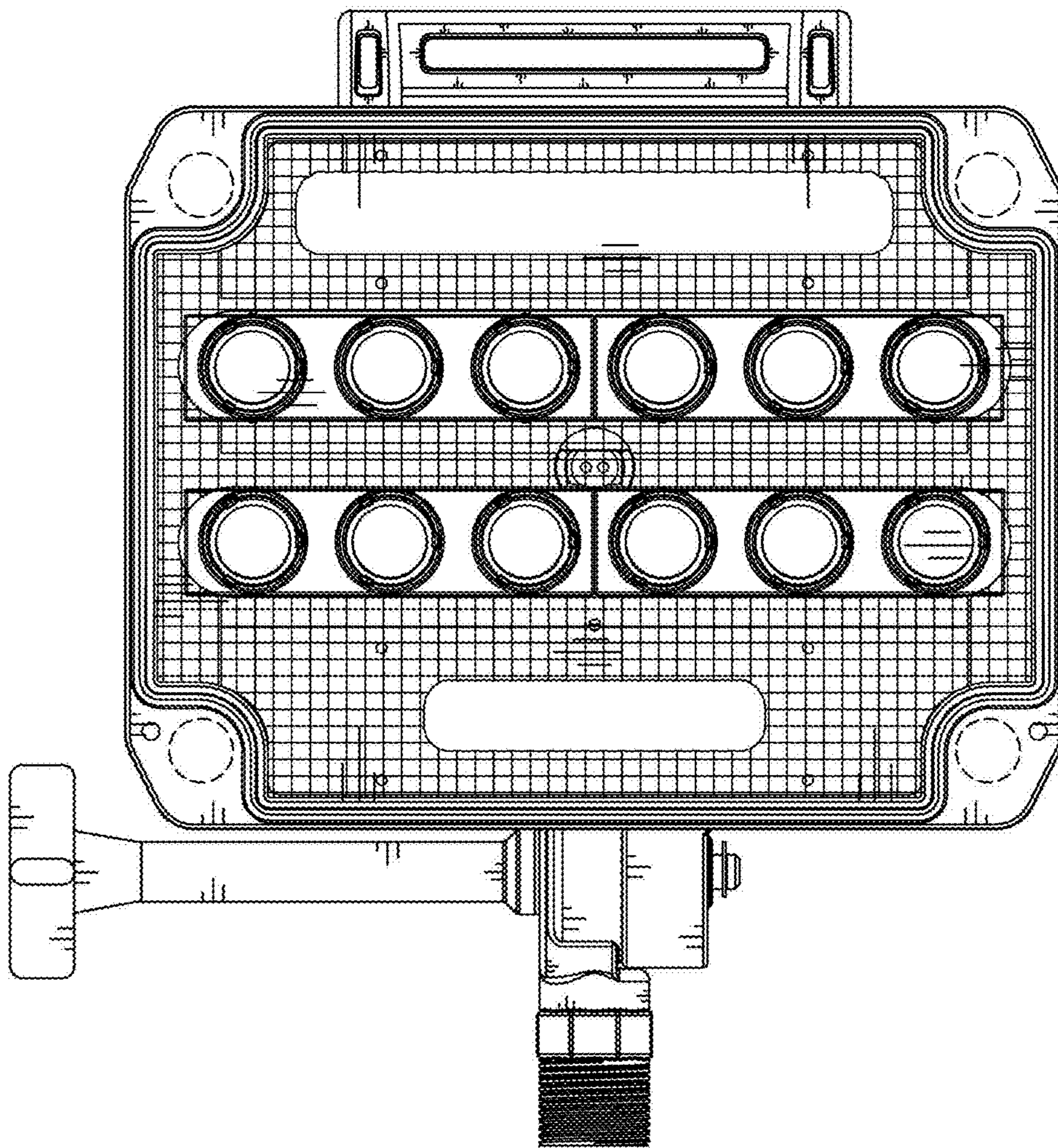


FIG. 4

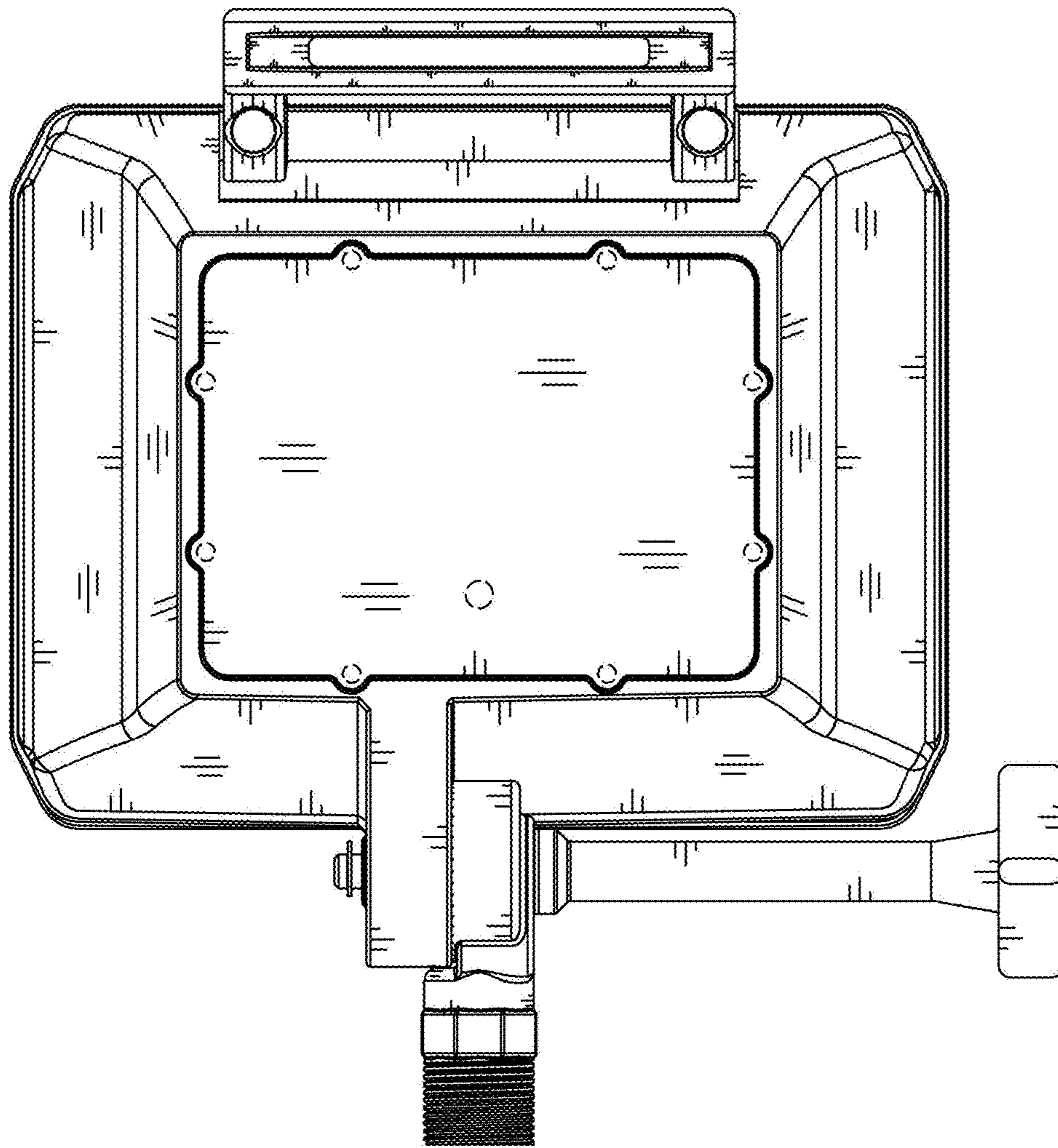


FIG. 5

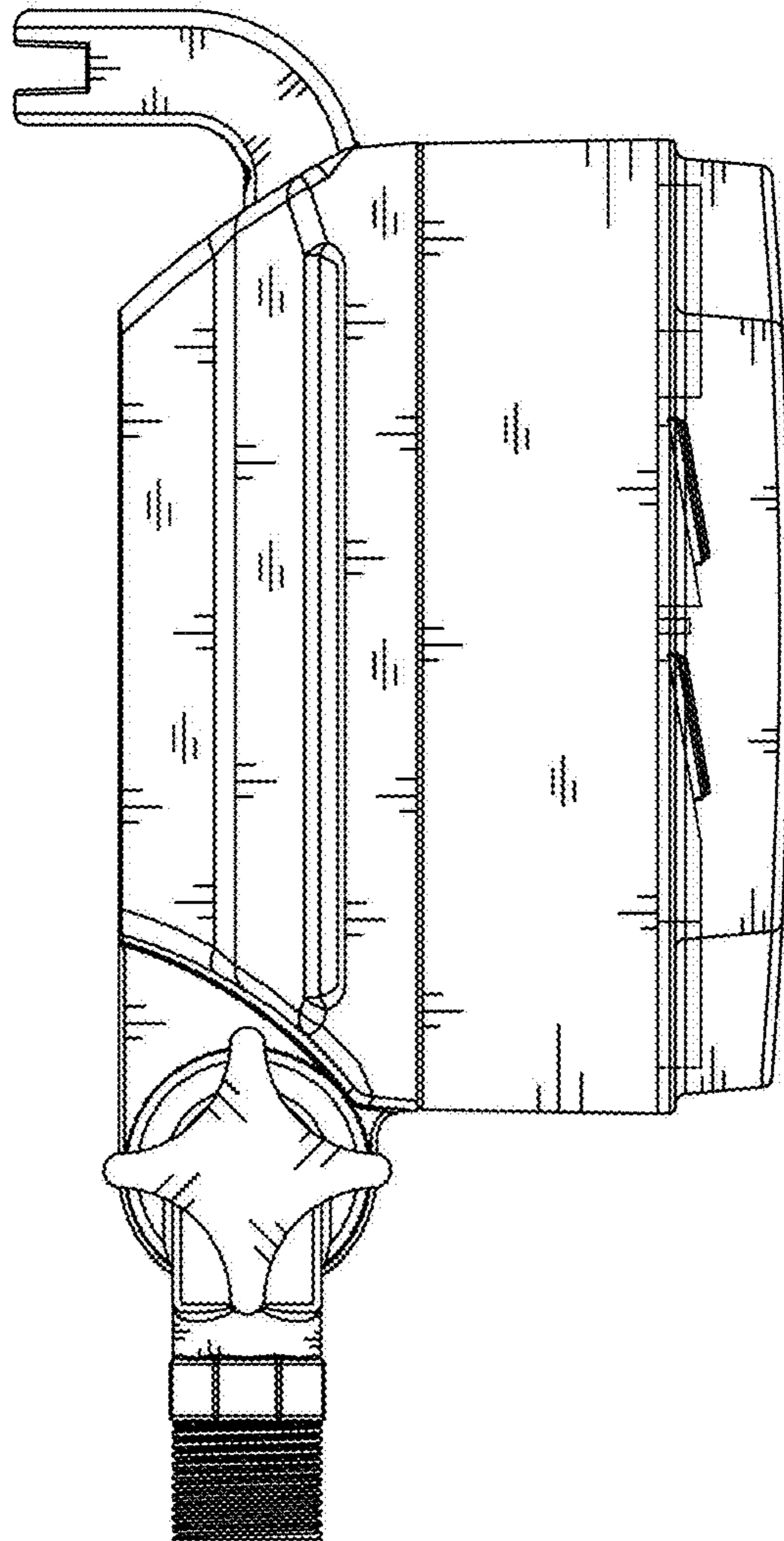


FIG. 6

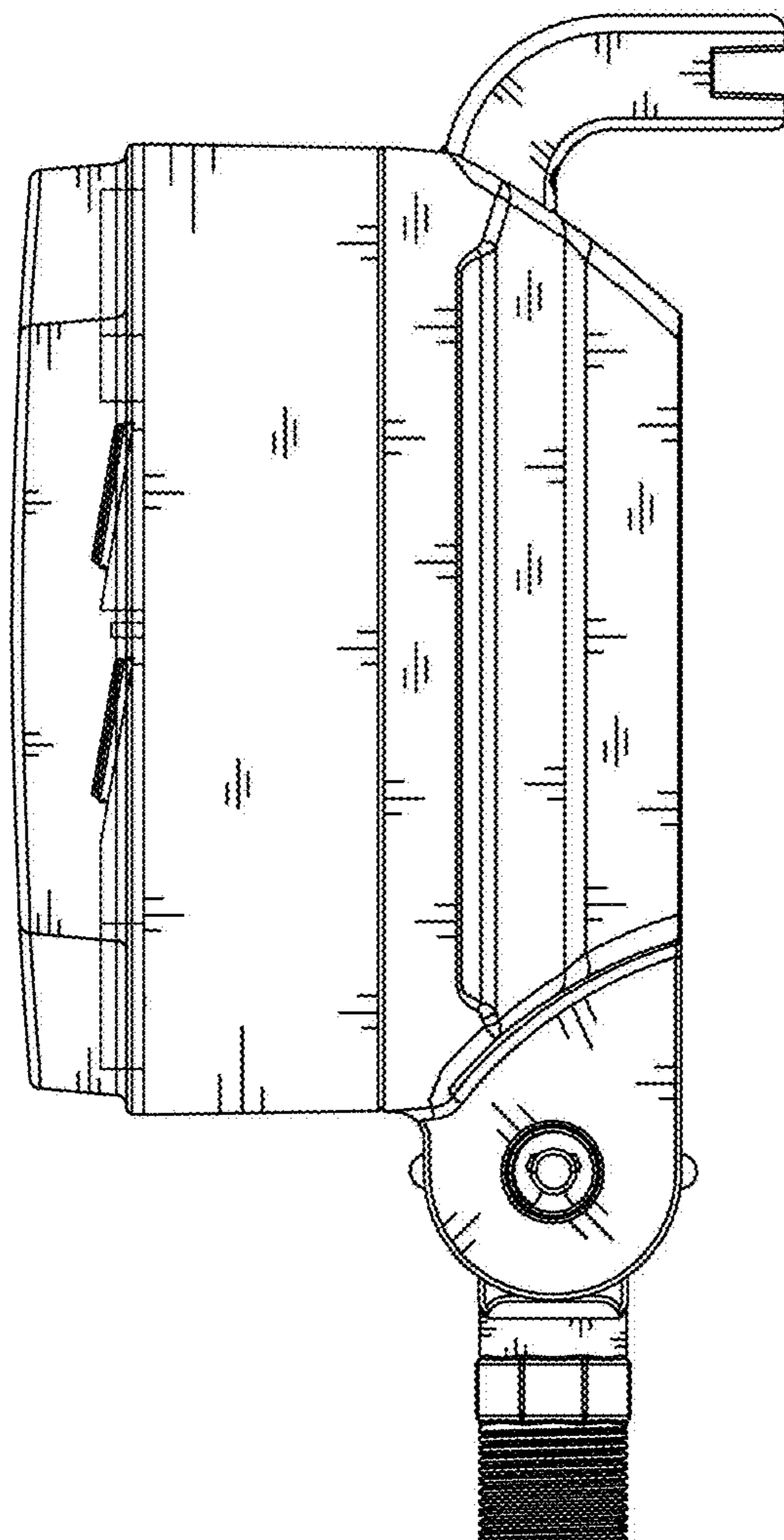




FIG. 7

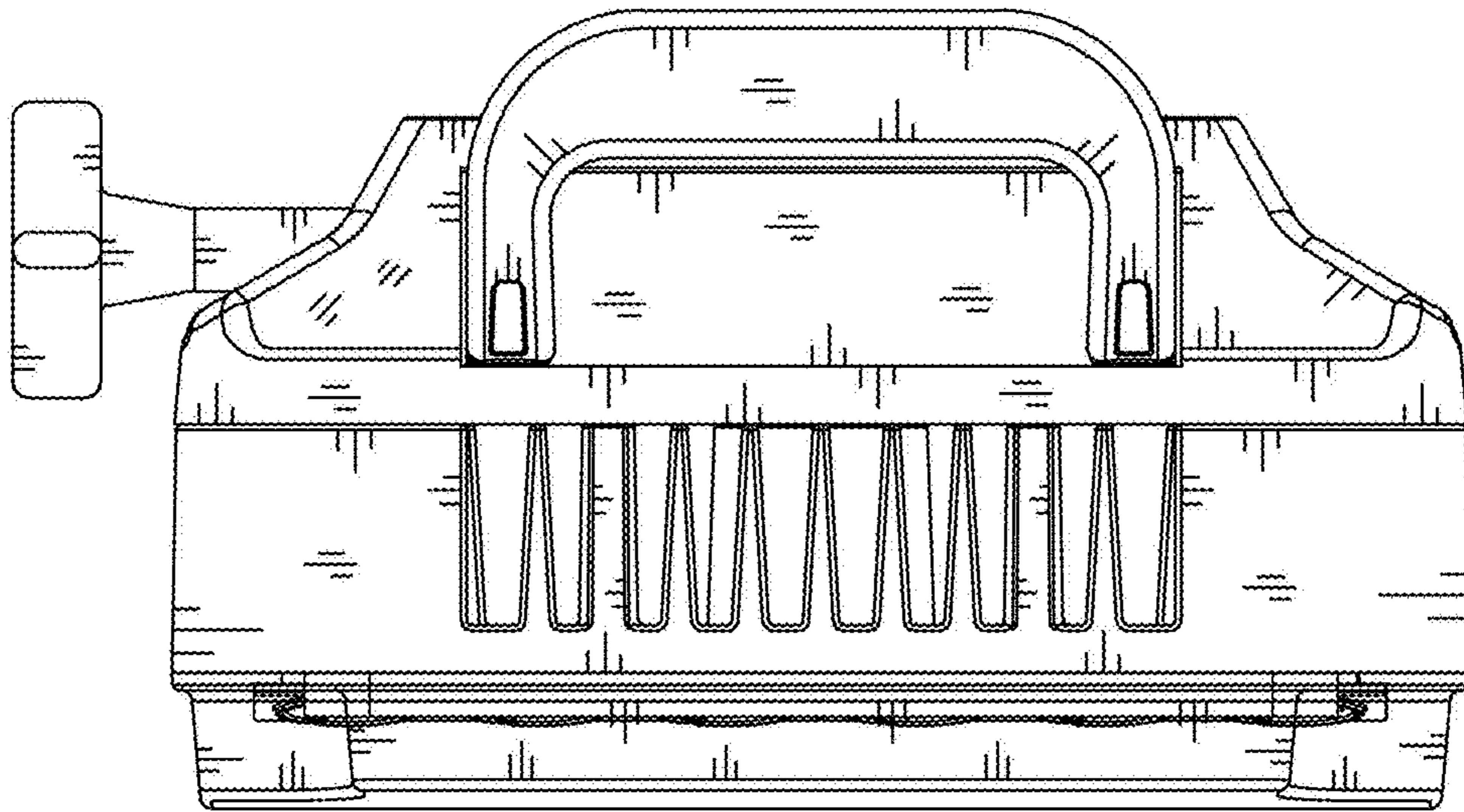


FIG. 8

