



US00D898969S

(12) **United States Design Patent**
Chen et al.

(10) **Patent No.:** **US D898,969 S**
(45) **Date of Patent:** **** Oct. 13, 2020**

(54) **LED LIGHTING FIXTURE**

(56) **References Cited**

(71) Applicant: **HANGZHOU HPWINNER OPTO CORPORATION**, Hangzhou (CN)

U.S. PATENT DOCUMENTS

(72) Inventors: **Kai Chen**, Hangzhou (CN); **Jianming Huang**, Hangzhou (CN)

D699,877 S	*	2/2014	Song	D26/63
D747,526 S	*	1/2016	Zhang	D26/63
D854,720 S	*	7/2019	Deng	D26/63
D877,951 S	*	3/2020	Huang	D26/63

(73) Assignee: **Hangzhou Hpwinner Opto Corporation**, Hangzhou, Zhejiang Province (CN)

* cited by examiner

Primary Examiner — Brian N. Vinson

(**) Term: **15 Years**

(74) *Attorney, Agent, or Firm* — Muncy, Geissler, Olds & Lowe, P.C.

(21) Appl. No.: **29/690,763**

(57) **CLAIM**

(22) Filed: **May 10, 2019**

The ornamental design for a LED lighting fixture, as shown and described.

(30) **Foreign Application Priority Data**

DESCRIPTION

Jan. 22, 2019 (CN) 2019 3 0034359

(51) **LOC (12) Cl.** **26-03**

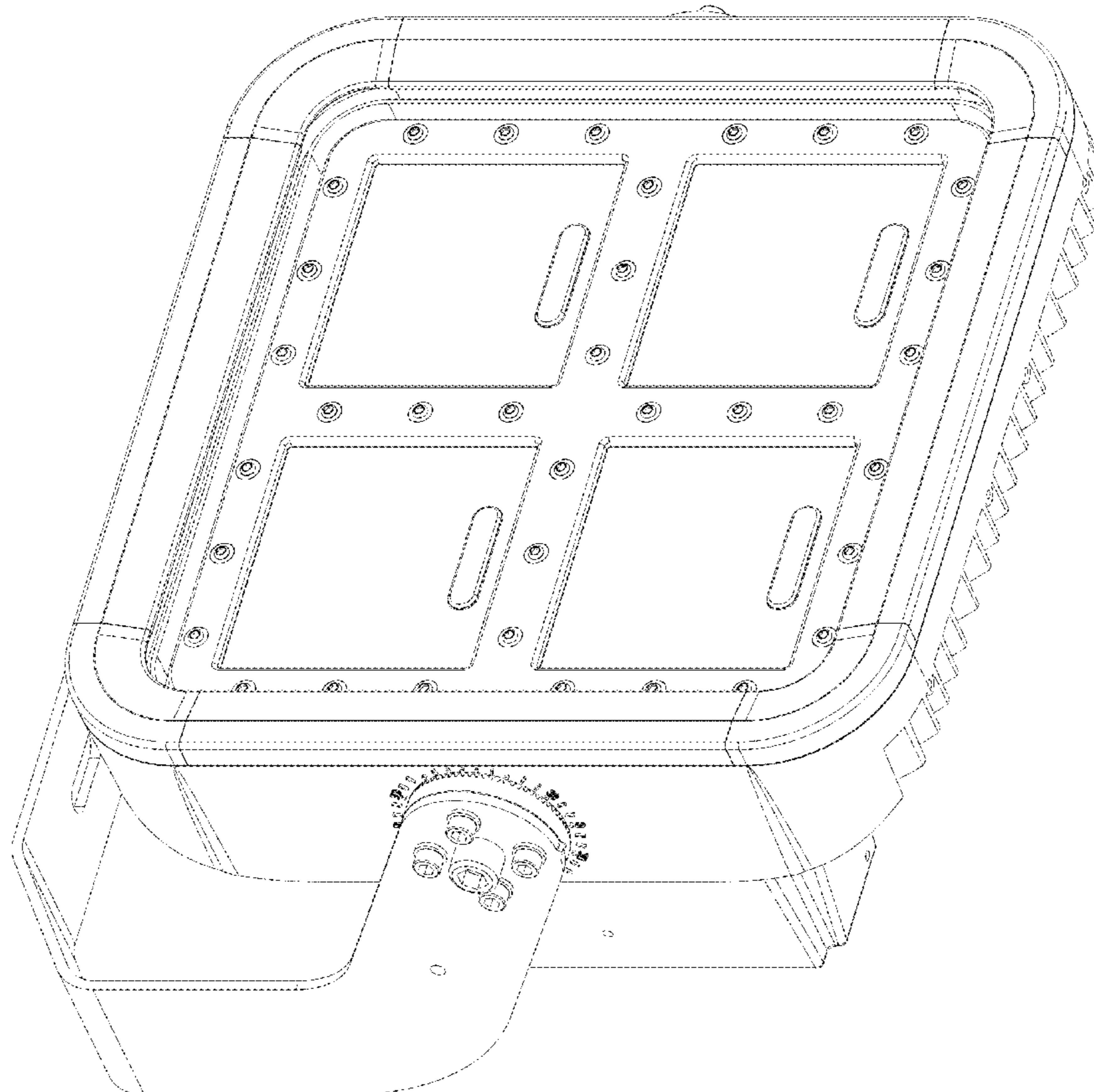
(52) **U.S. Cl.**
USPC **D26/63**

(58) **Field of Classification Search**
USPC D26/1, 24, 61, 63, 65, 85, 92
CPC F21V 21/14; F21V 15/01; F21V 14/02;
F21V 21/30; F21V 21/00; F21V 14/00;
F21S 8/00; F21S 8/003; F21S 8/043;
F21Y 2105/001

FIG. 1 is a front plan view of a LED lighting fixture showing our new design;
FIG. 2 is a rear plan view thereof;
FIG. 3 is a top plan view thereof;
FIG. 4 is a bottom plan view thereof;
FIG. 5 is a left side plan view thereof;
FIG. 6 is a right side plan view thereof;
FIG. 7 is first perspective view thereof; and,
FIG. 8 is a second perspective view thereof.

See application file for complete search history.

1 Claim, 8 Drawing Sheets



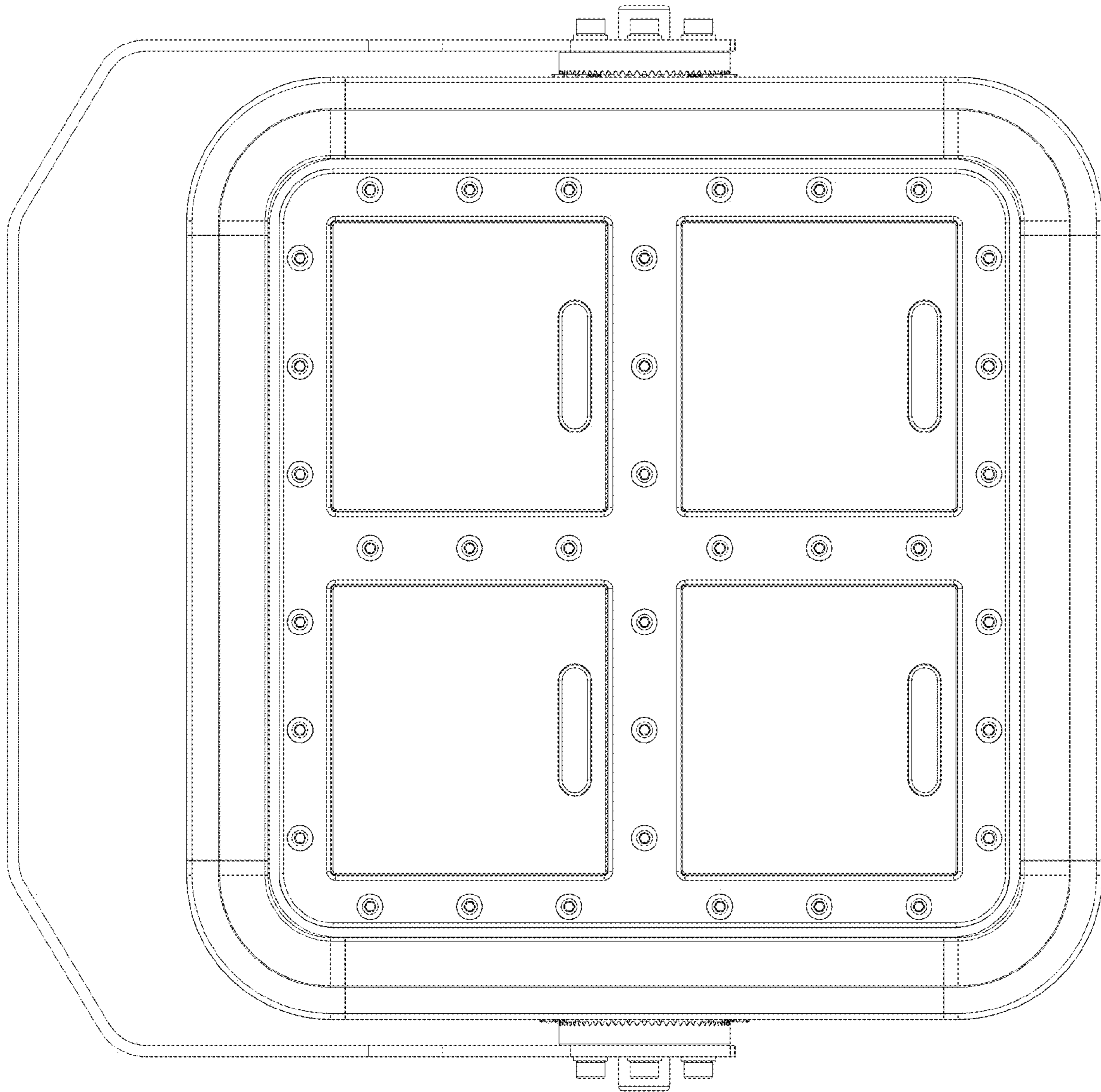


FIG.1

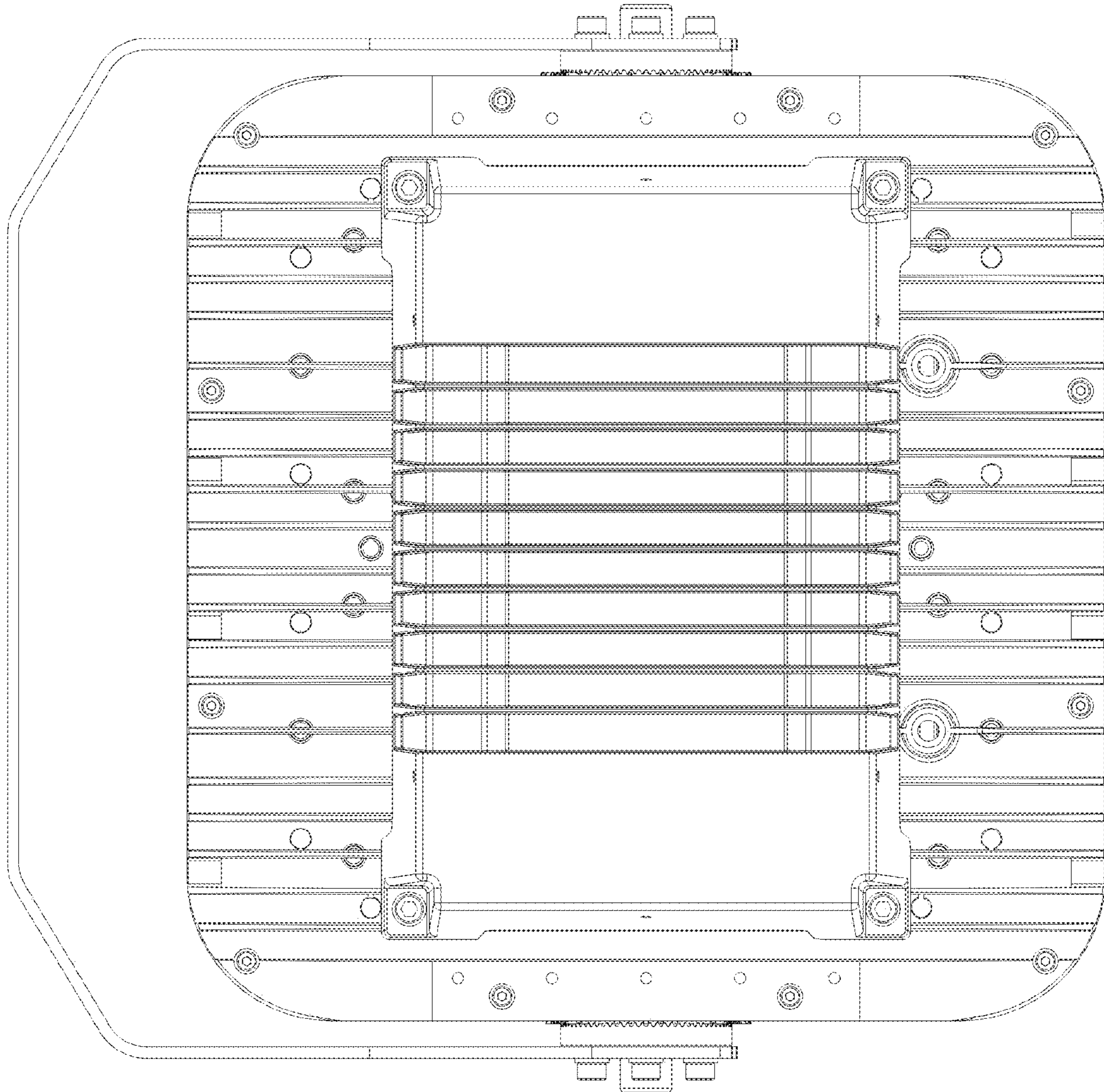


FIG.2

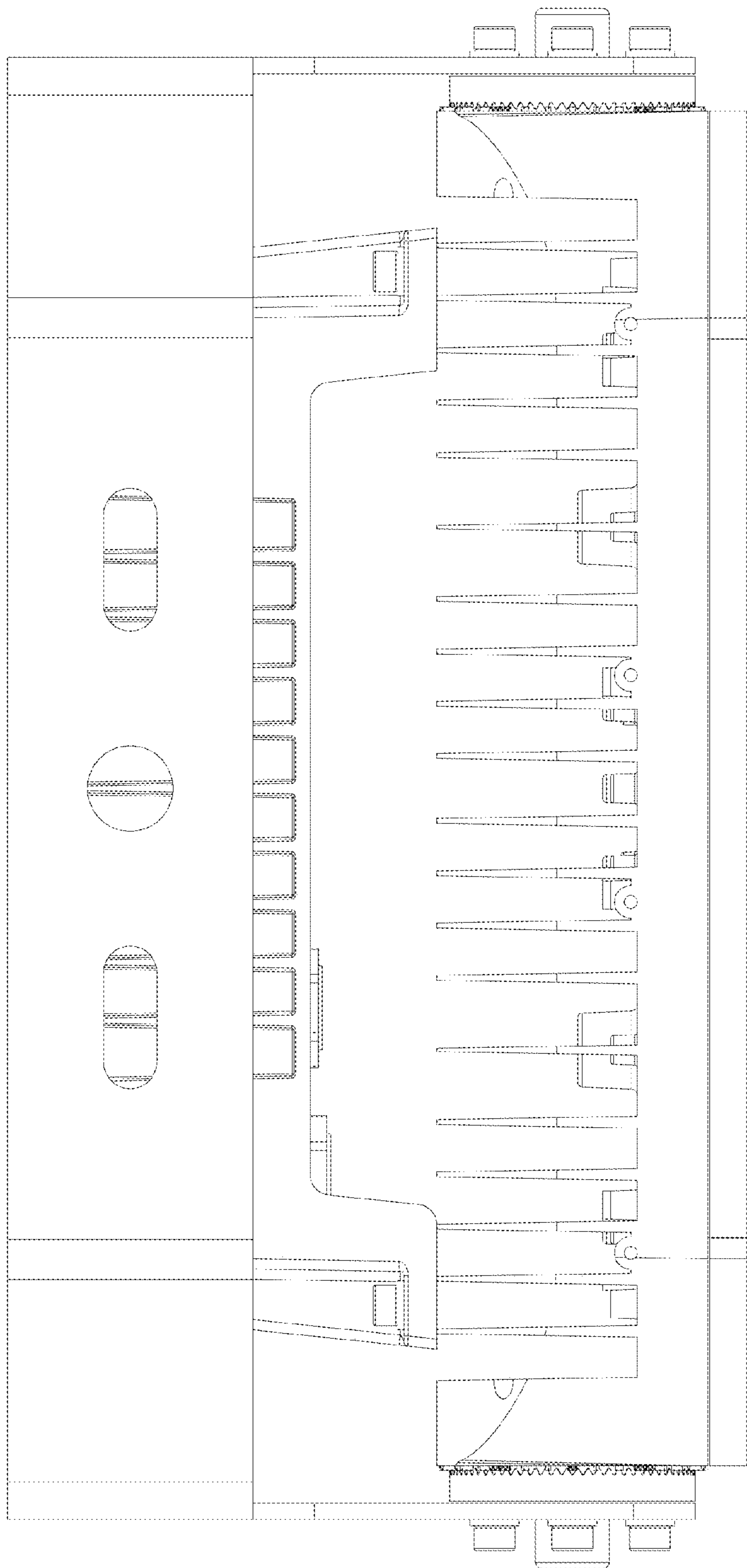


FIG.3

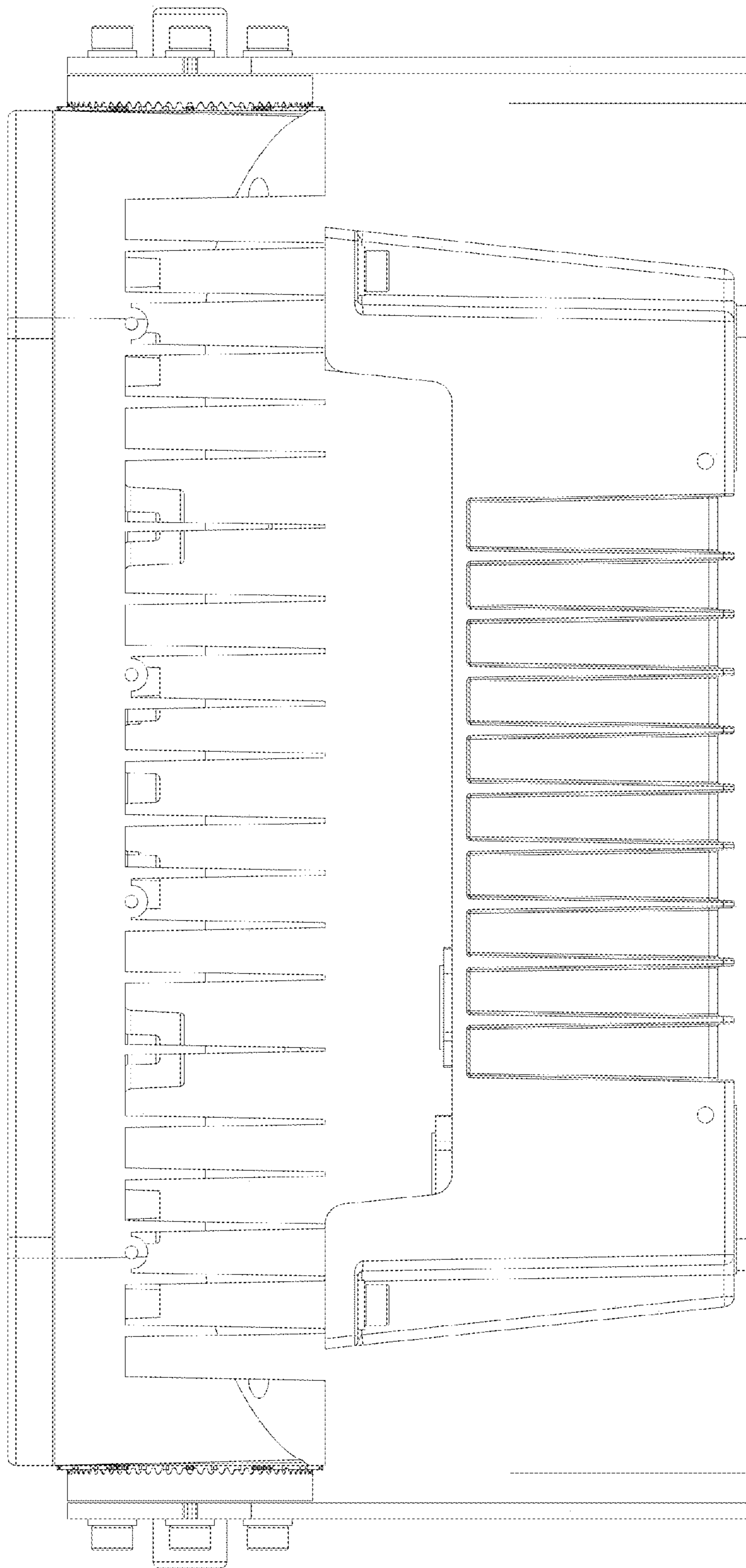


FIG.4

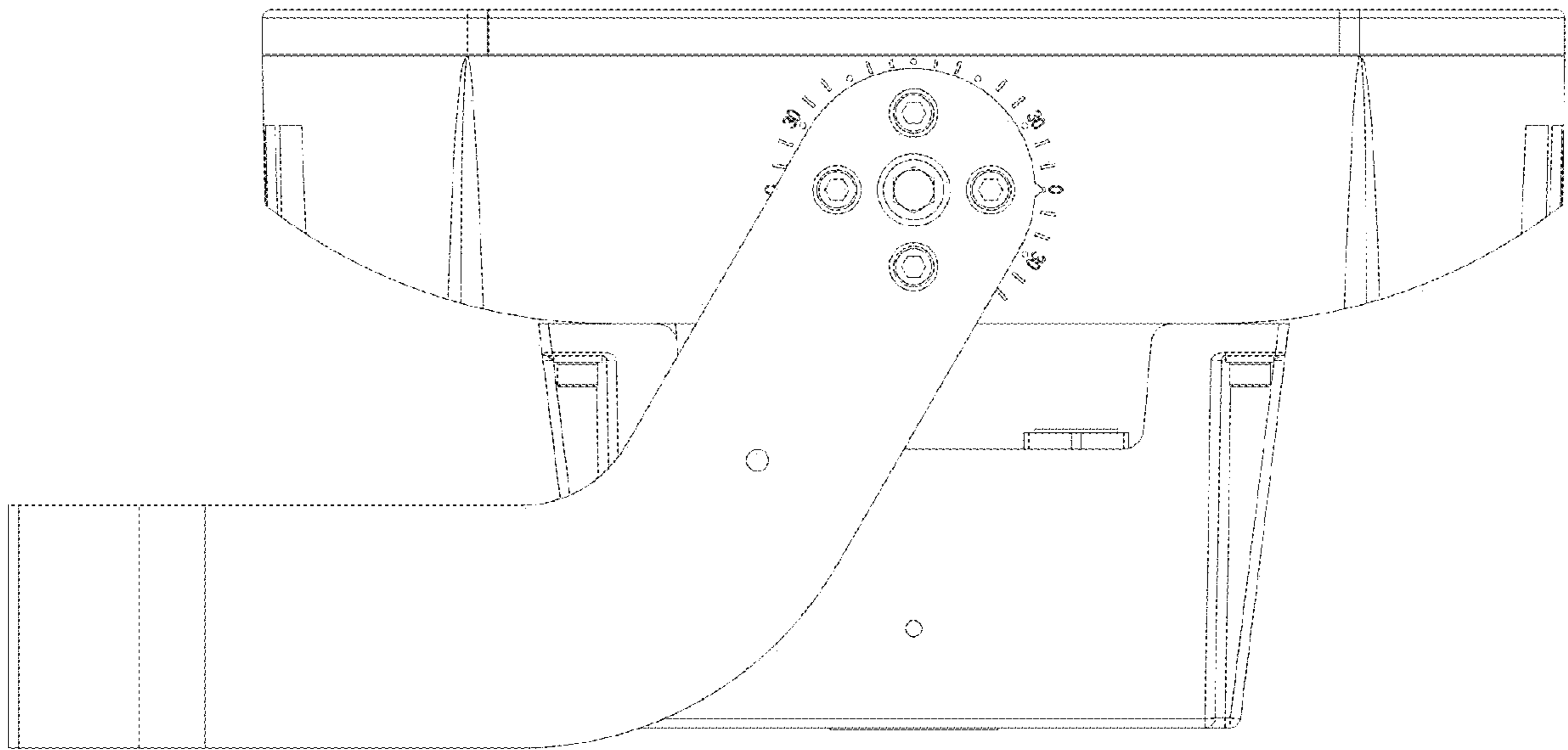


FIG.5

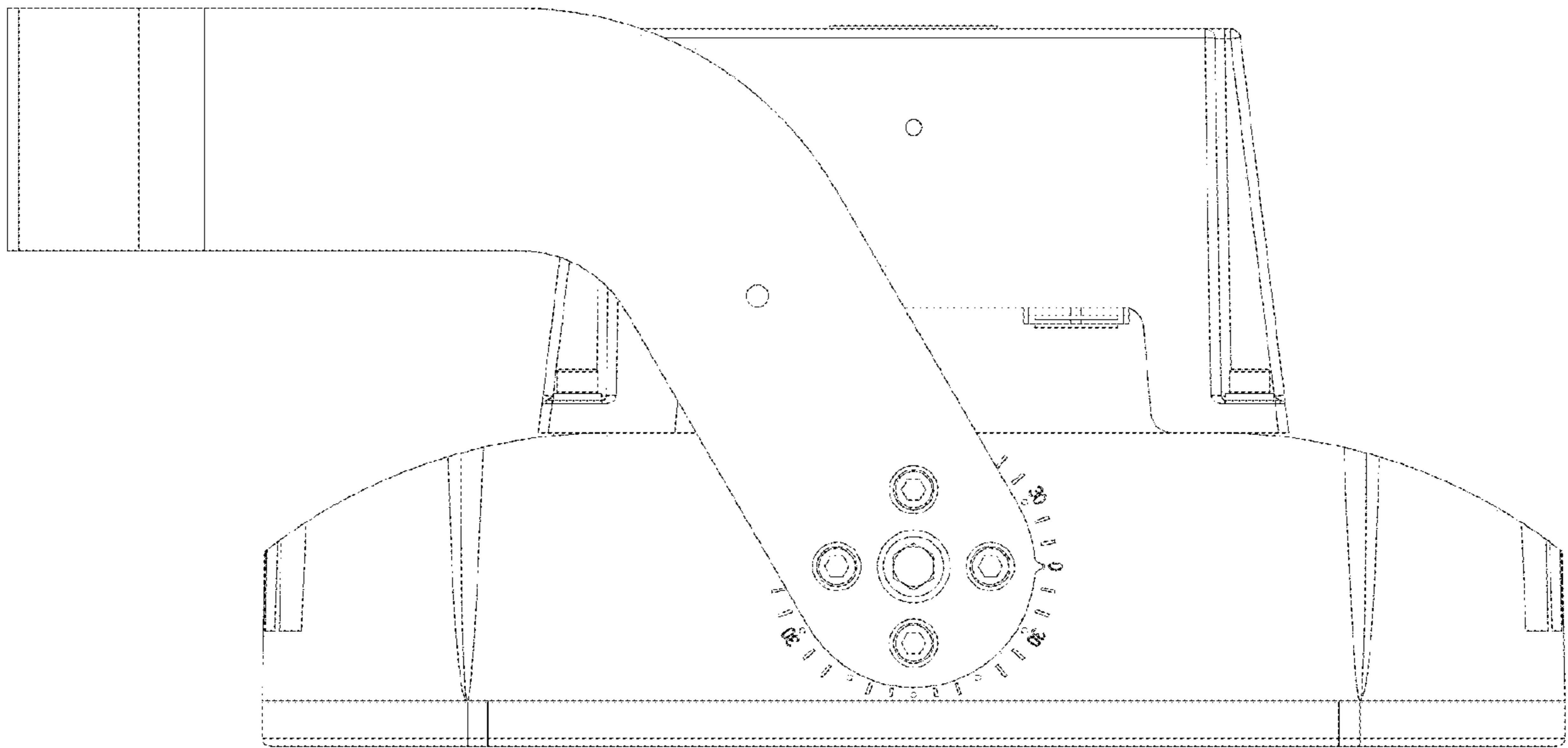


FIG.6

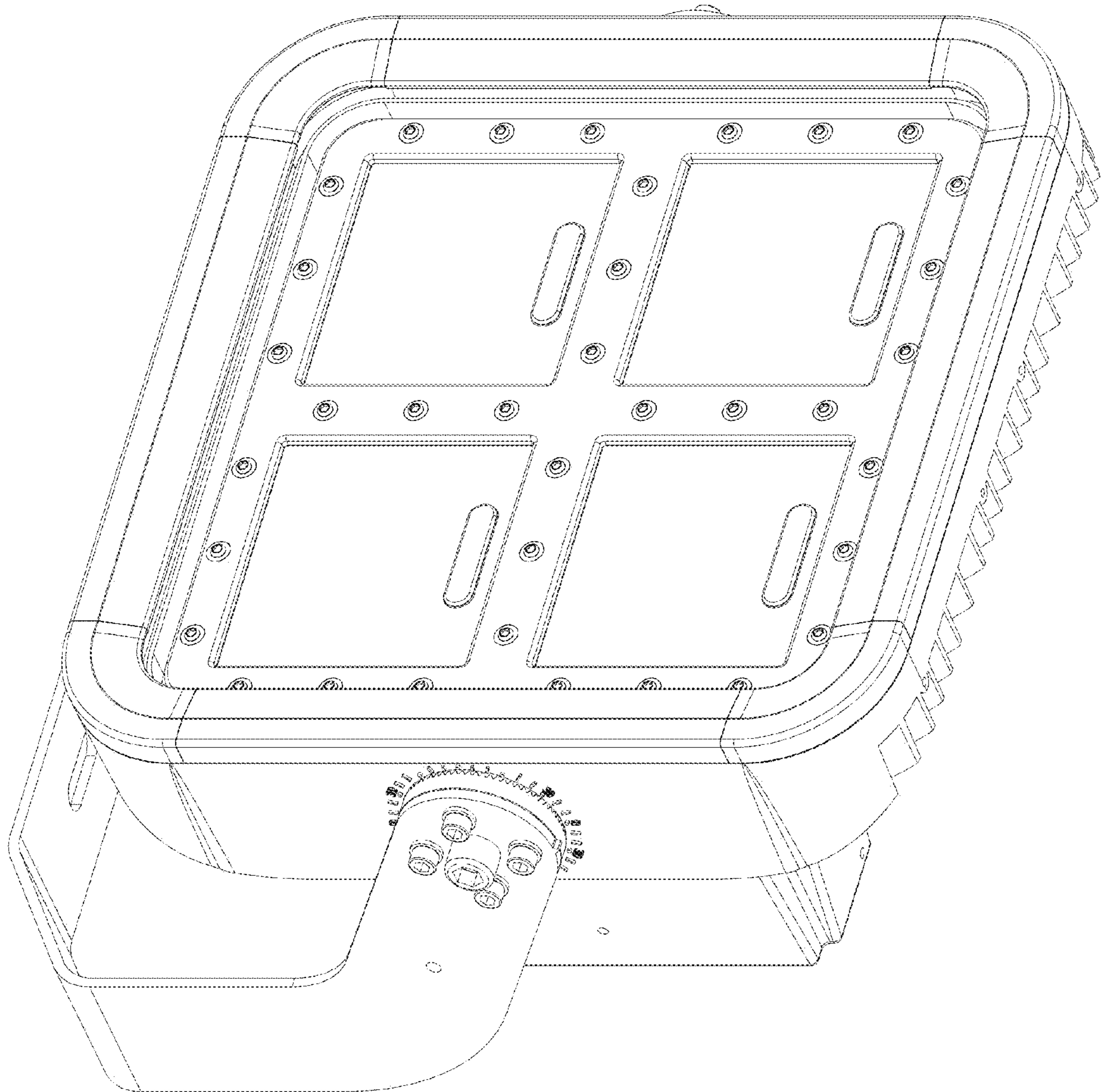


FIG.7

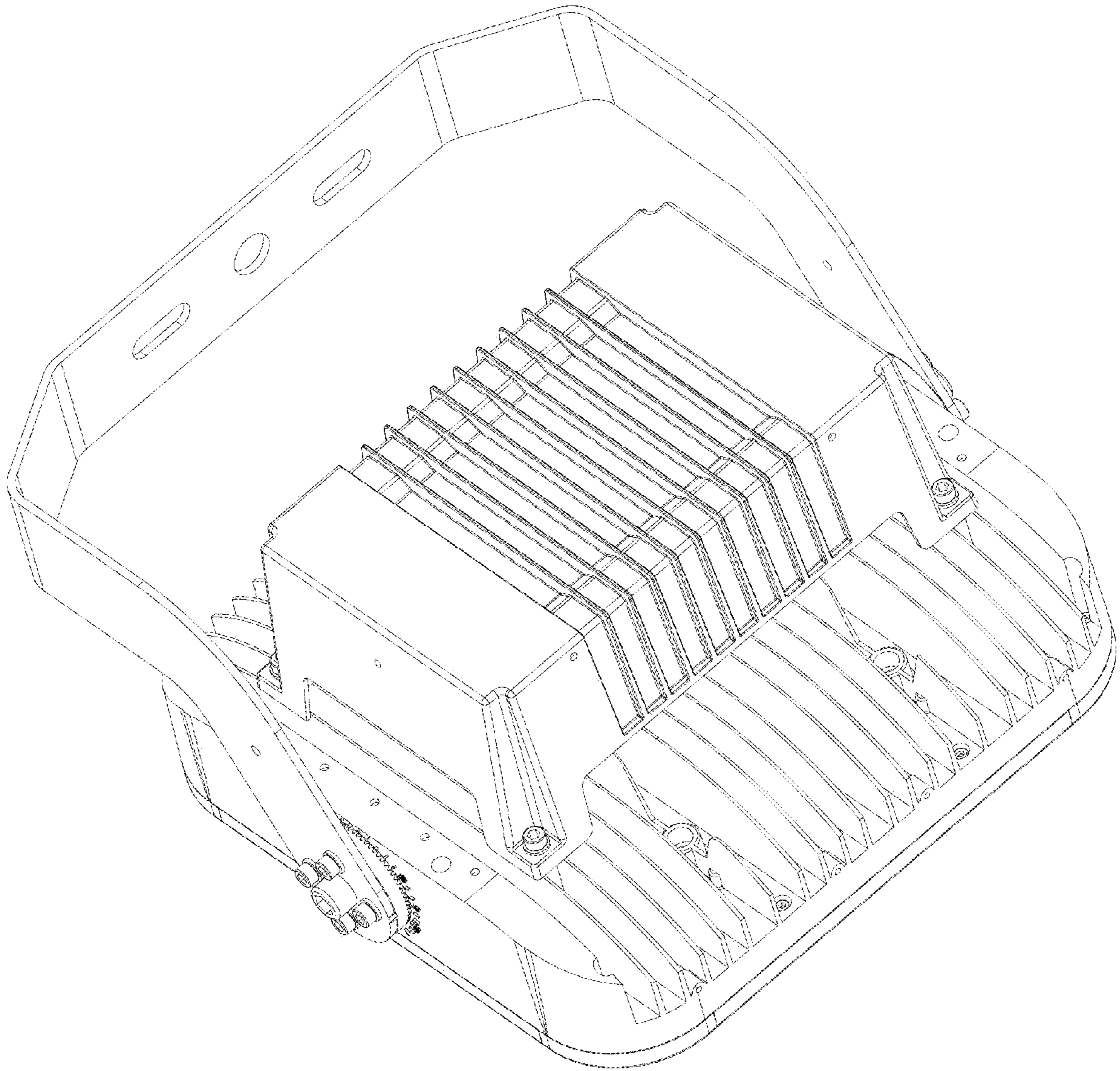


FIG.8