



US00D898968S

(12) **United States Design Patent** (10) **Patent No.:** **US D898,968 S**  
**Chen et al.** (45) **Date of Patent:** **\*\* Oct. 13, 2020**

(54) **LED LIGHTING FIXTURE**

(56) **References Cited**

(71) Applicant: **HANGZHOU HPWINNER OPTO CORPORATION**, Hangzhou, Zhejiang Province (CN)

U.S. PATENT DOCUMENTS

D699,877 S \* 2/2014 Song ..... D26/63  
D747,526 S \* 1/2016 Zhang ..... D26/63  
D854,720 S \* 7/2019 Deng ..... D26/63  
D877,951 S \* 3/2020 Huang ..... D26/63

(72) Inventors: **Kai Chen**, Hangzhou (CN); **Jianming Huang**, Hangzhou (CN)

\* cited by examiner

(73) Assignee: **Hangzhou Hpwinner Opto Corporation**, Hangzhou, Zhejiang Province (CN)

*Primary Examiner* — Brian N. Vinson  
(74) *Attorney, Agent, or Firm* — Muncy, Geissler, Olds & Lowe, P.C.

(\*\*) Term: **15 Years**

(57) **CLAIM**

The ornamental design for a LED lighting fixture, as shown and described.

(21) Appl. No.: **29/686,964**

**DESCRIPTION**

(22) Filed: **Apr. 9, 2019**

(51) **LOC (12) Cl.** ..... **26-03**

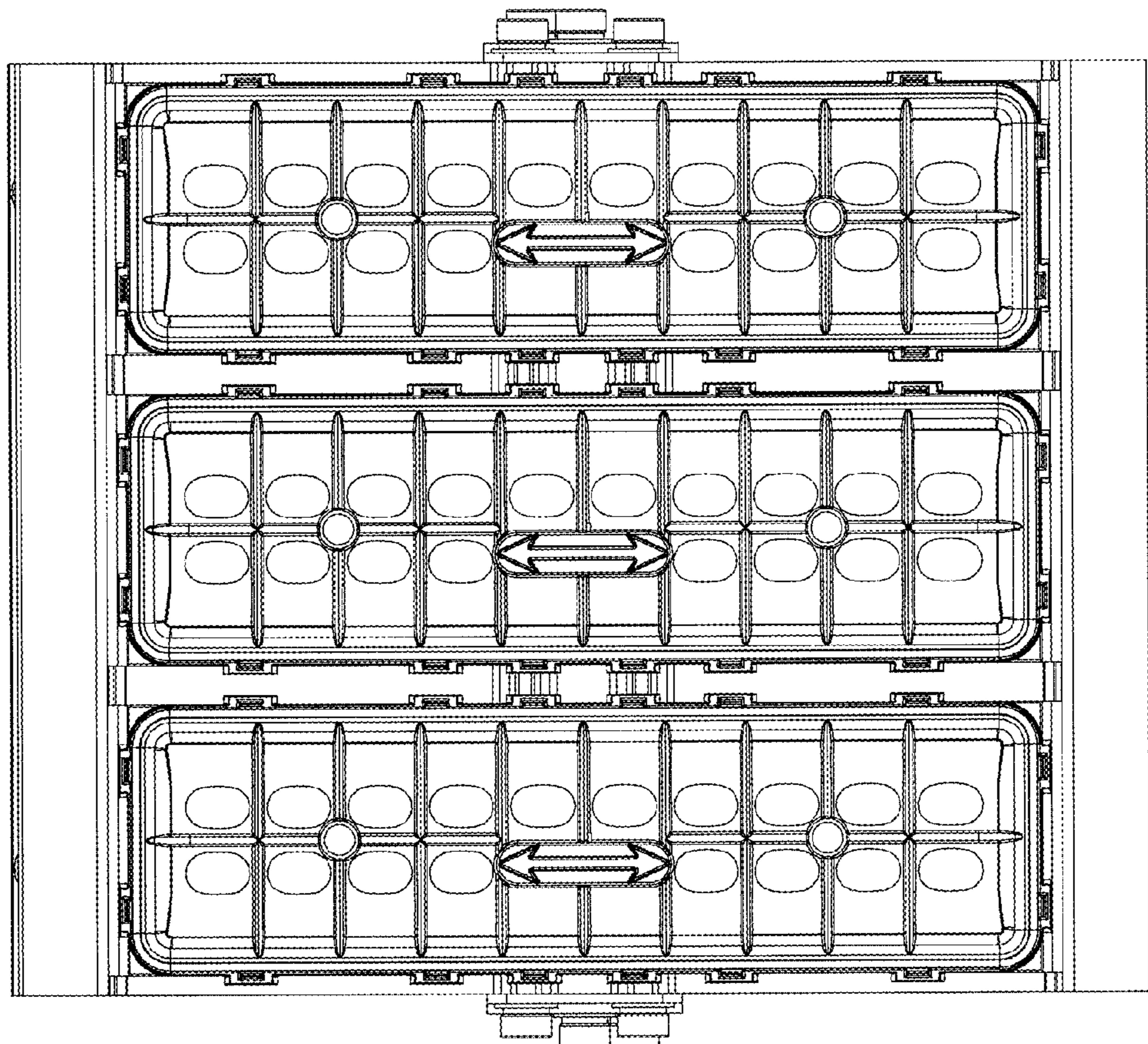
(52) **U.S. Cl.**  
USPC ..... **D26/63**

(58) **Field of Classification Search**  
USPC ..... D26/1, 24, 61, 63, 65, 85, 92  
CPC ..... F21V 21/14; F21V 15/01; F21V 14/02;  
F21V 21/30; F21V 21/00; F21V 14/00;  
F21S 8/00; F21S 8/003; F21S 8/043;  
F21Y 2105/001

FIG. 1 is a front plan view of a LED lighting fixture showing our new design;  
FIG. 2 is a rear plan view thereof;  
FIG. 3 is a top plan view thereof;  
FIG. 4 is a bottom plan view thereof;  
FIG. 5 is a left side plan view thereof;  
FIG. 6 is a right side plan view thereof;  
FIG. 7 is a front perspective view thereof;  
FIG. 8 is a rear perspective view thereof; and,  
FIG. 9 is a rear perspective view thereof.

See application file for complete search history.

**1 Claim, 9 Drawing Sheets**



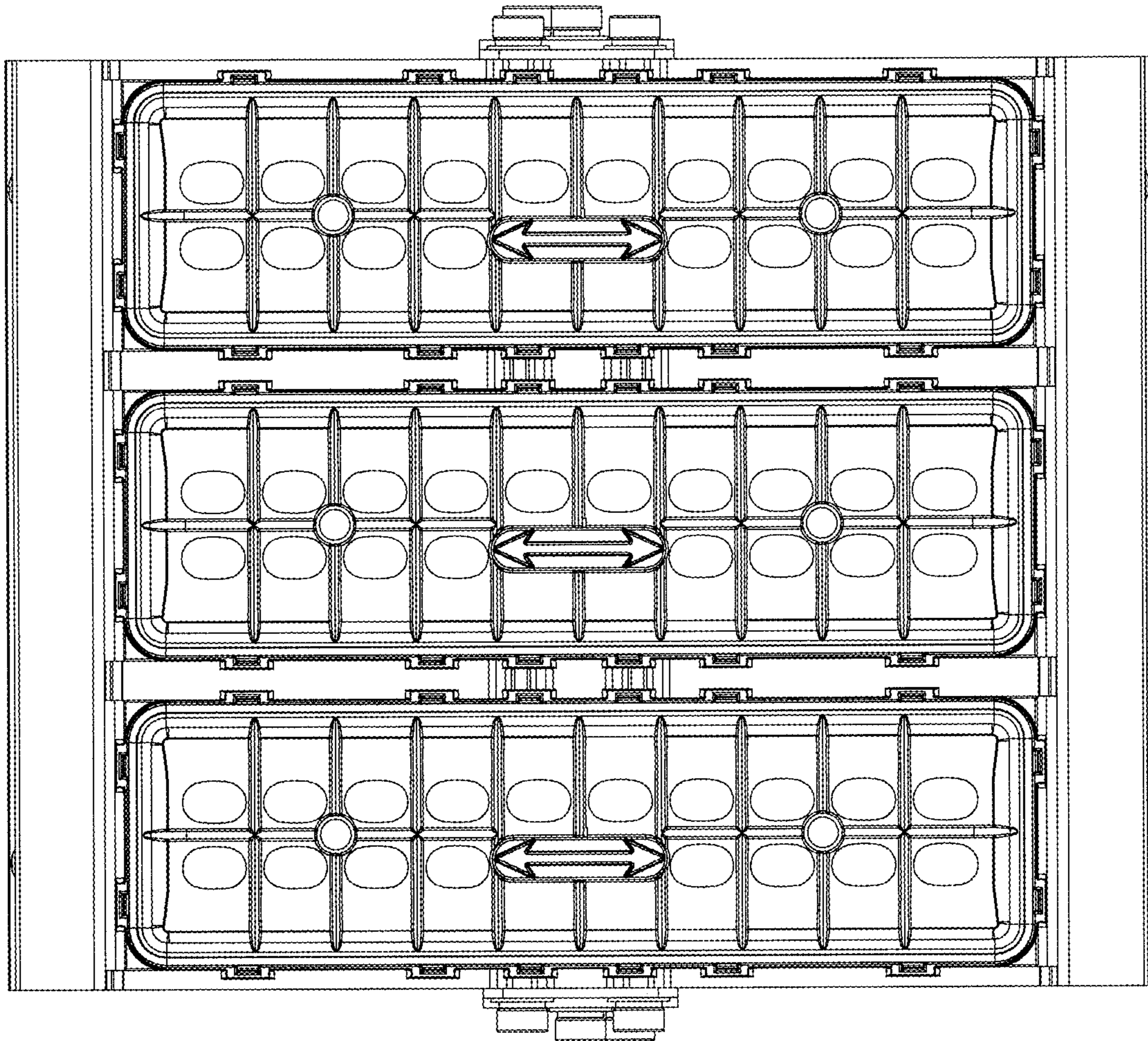


FIG. 1



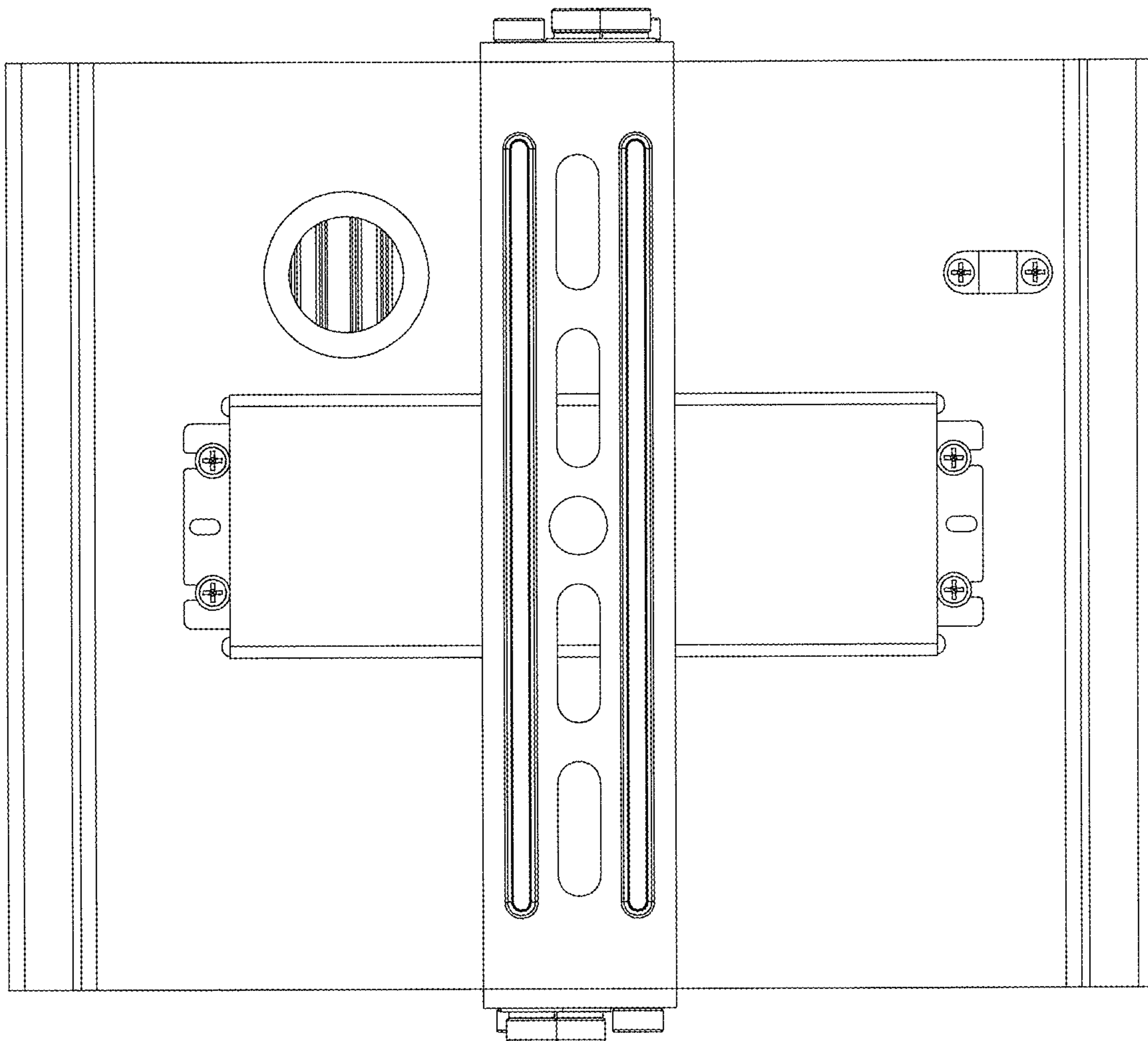


FIG. 2

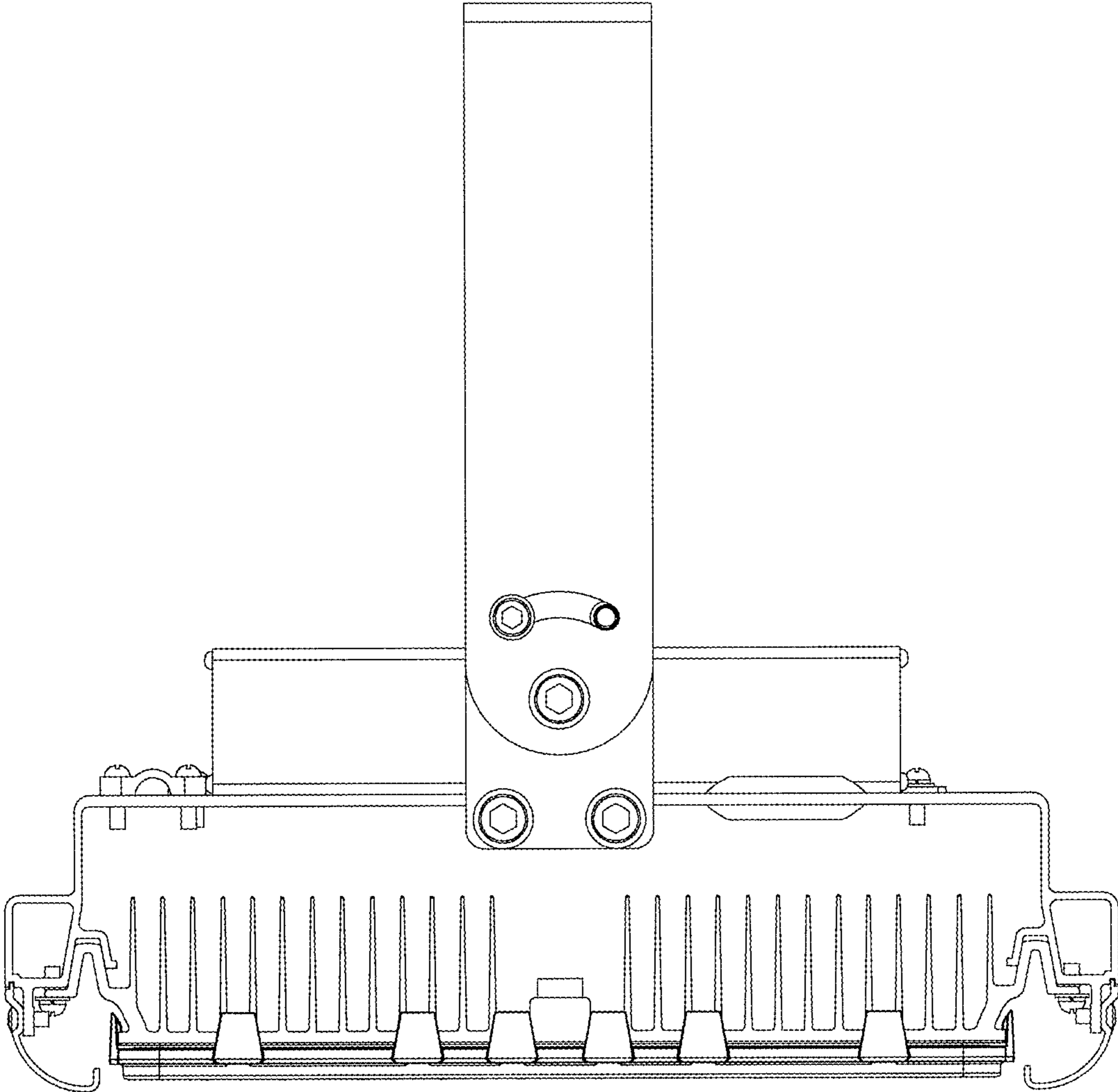


FIG. 3

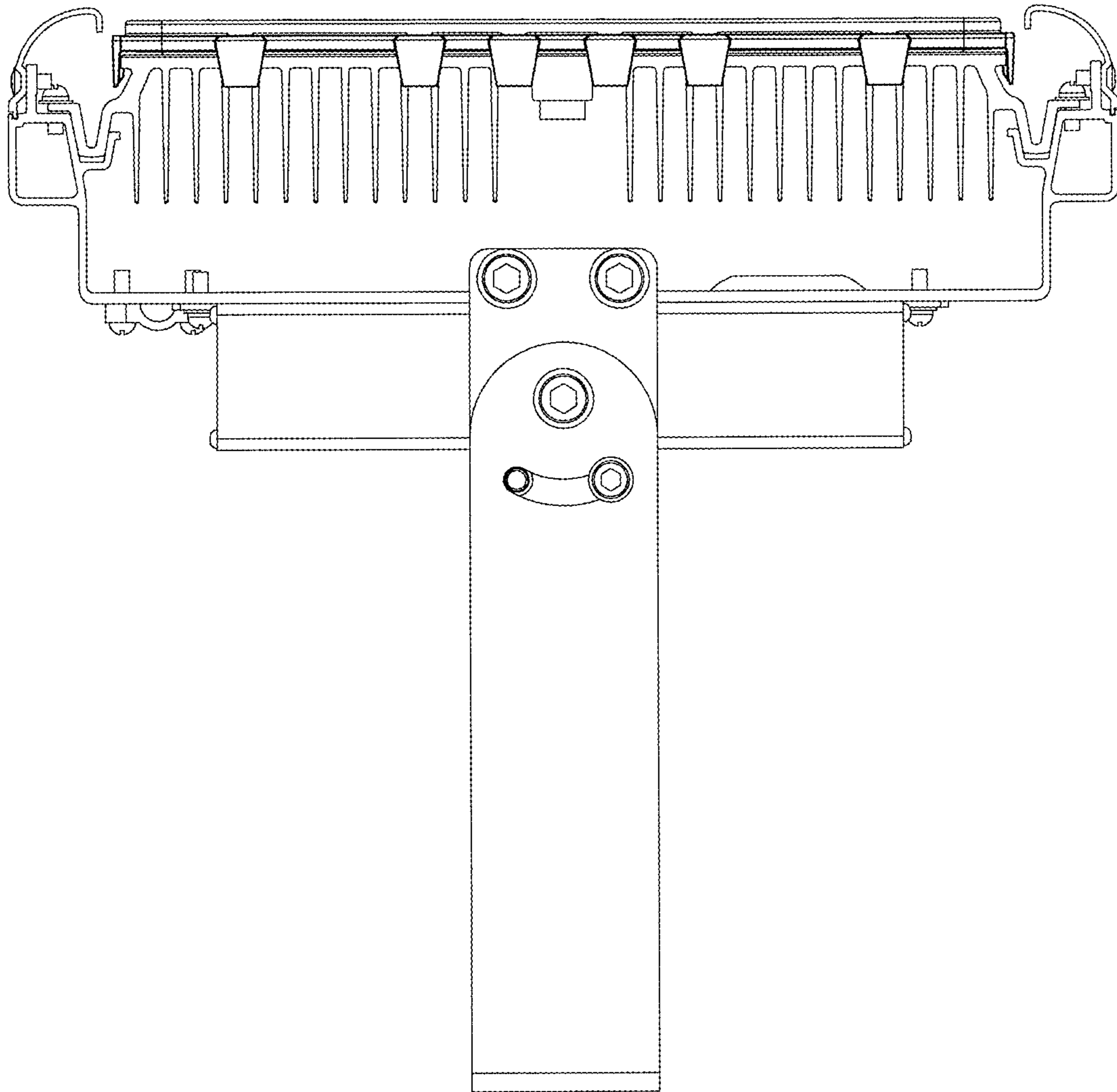


FIG. 4

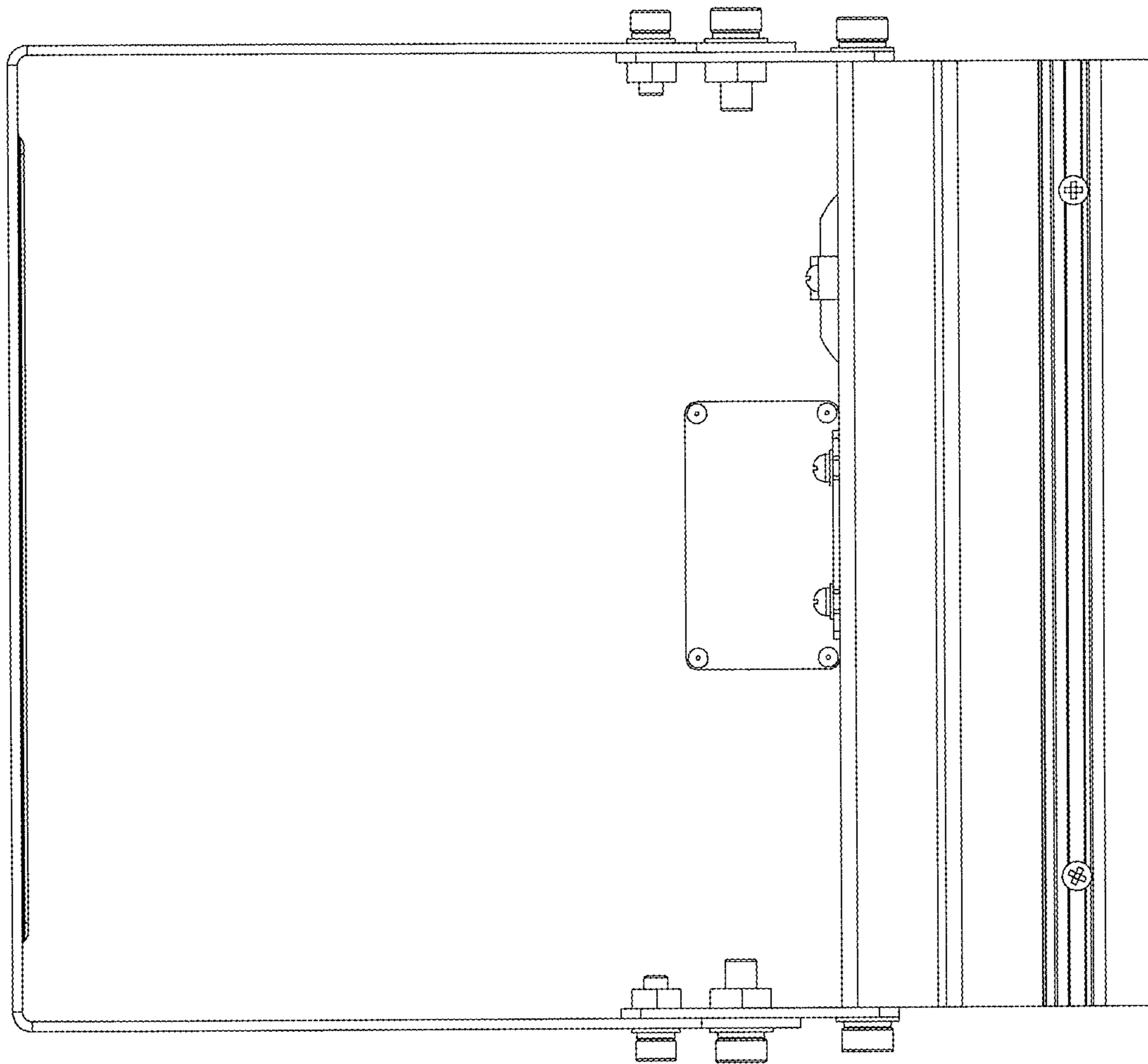


FIG. 5

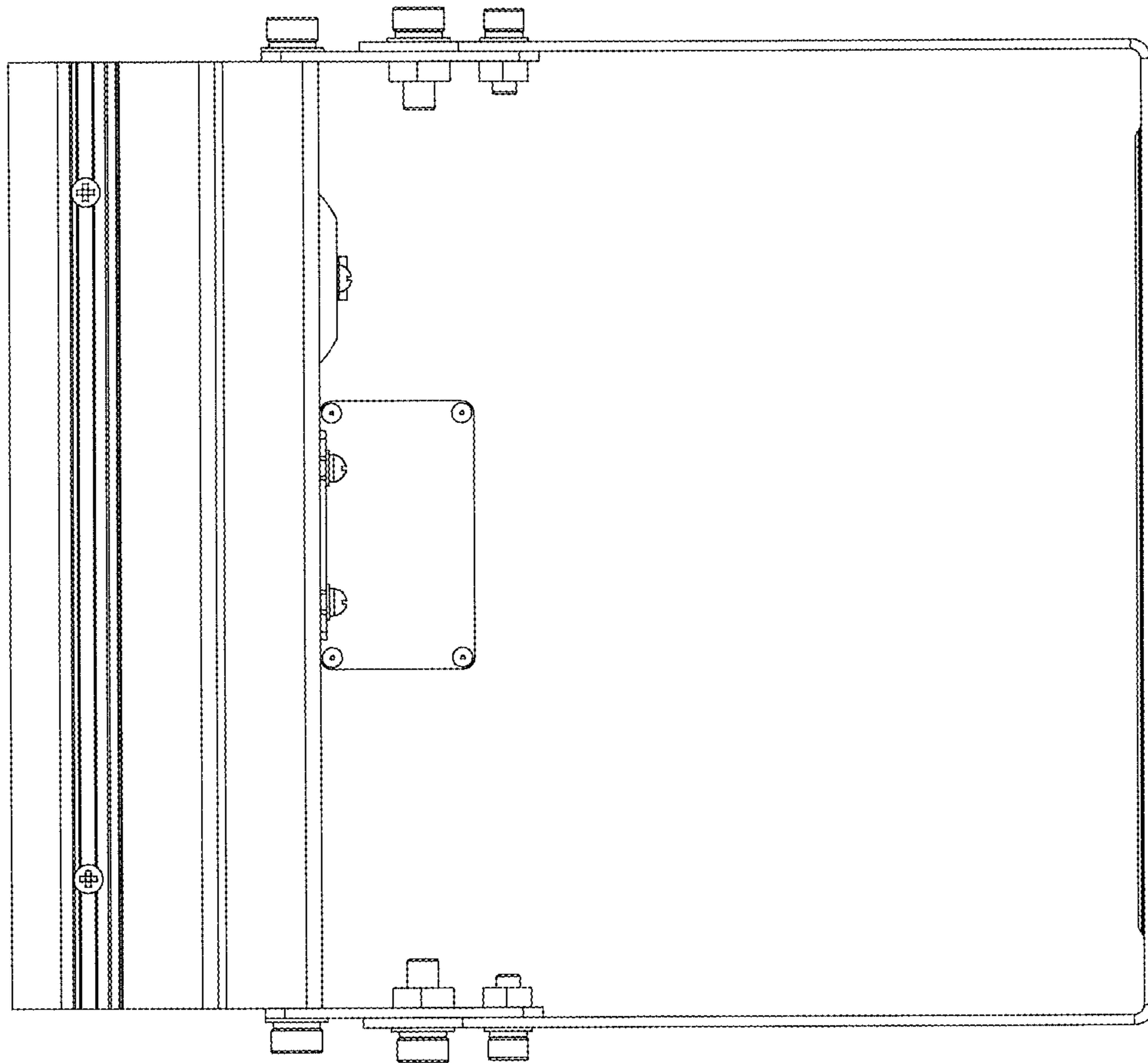


FIG. 6



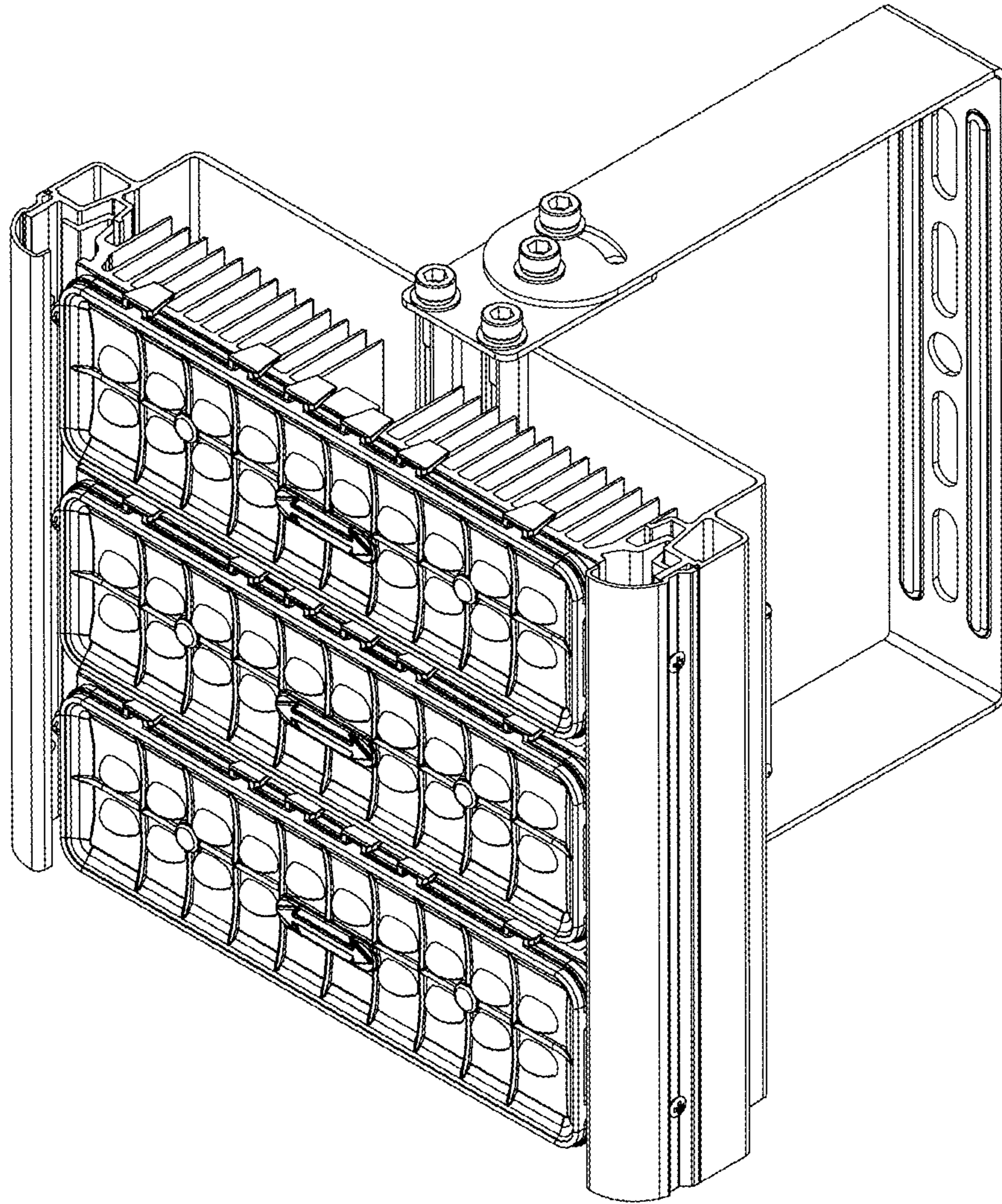


FIG. 7



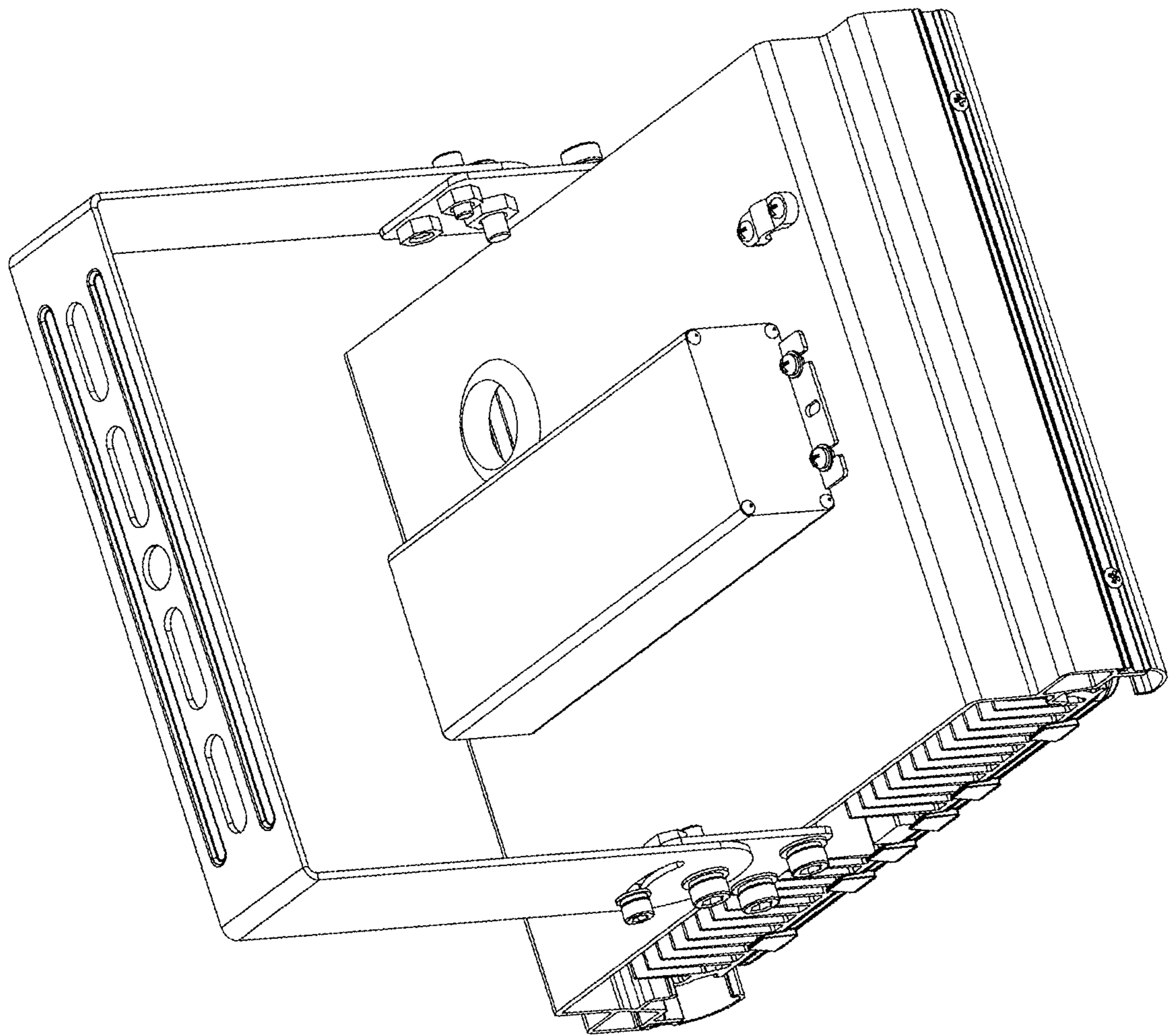


FIG. 8

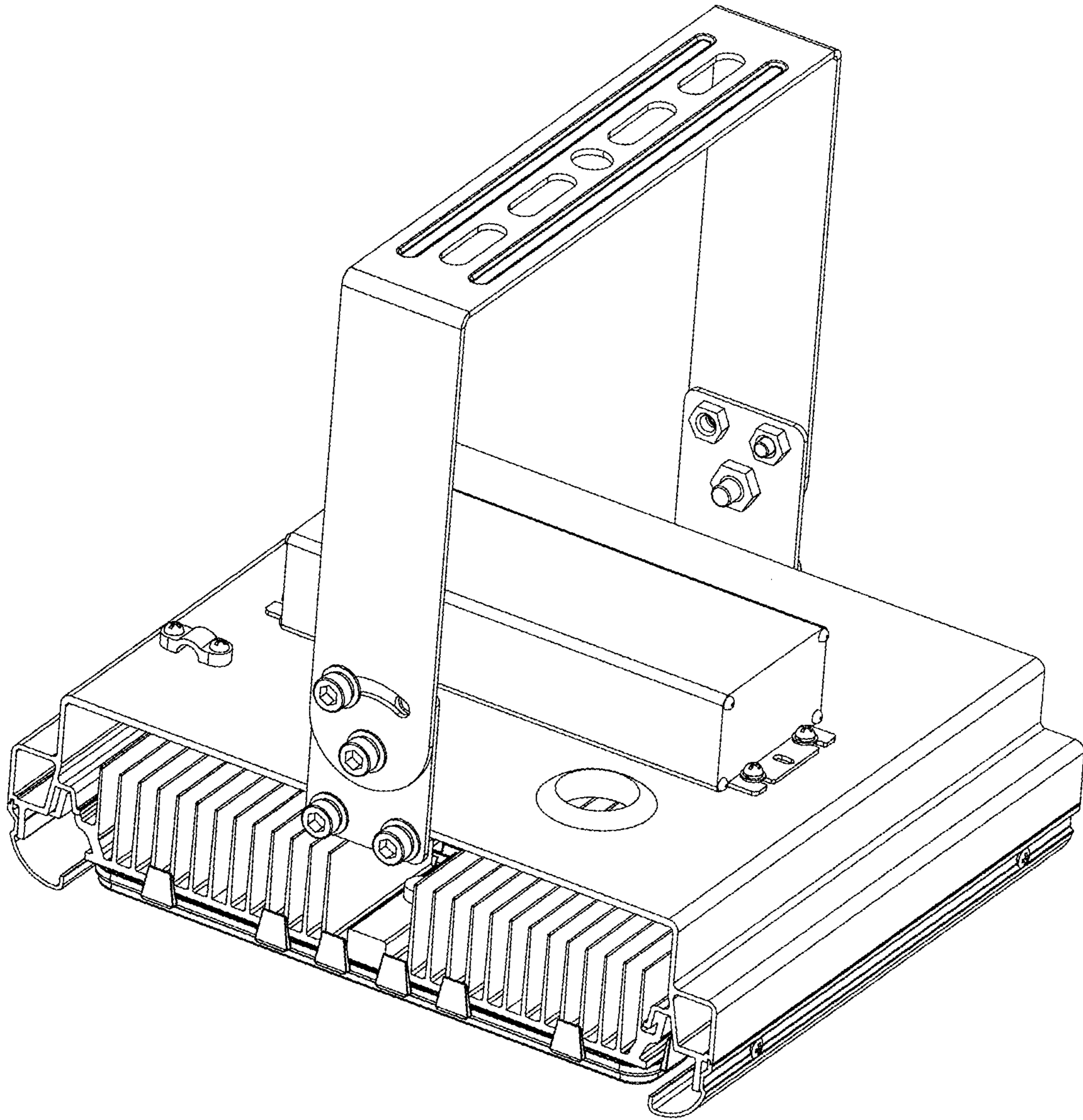


FIG. 9