



US00D898967S

(12) **United States Design Patent**
Yang et al.

(10) **Patent No.:** **US D898,967 S**

(45) **Date of Patent:** **** Oct. 13, 2020**

(54) **COMBINED SALT LAMP AND SPEAKER**

(71) Applicant: **ETEK CITY CORPORATION**,
Anaheim, CA (US)

(72) Inventors: **Lin Yang**, Shenzhen (CN); **Hai Yang**,
Shenzhen (CN)

(**) Term: **15 Years**

(21) Appl. No.: **29/685,660**

(22) Filed: **Mar. 29, 2019**

(30) **Foreign Application Priority Data**

Oct. 22, 2018 (CN) 2018 3 0590053

(51) **LOC (12) Cl.** **26-05**

(52) **U.S. Cl.**
USPC **D26/51**

(58) **Field of Classification Search**
USPC D26/1, 24, 51-52, 61-63, 74, 87, 90,
D26/93-94, 106-107, 113, 118;
D16/135; D6/300

CPC F21V 33/0056; F21V 33/0064; F21V
33/0004; F21V 33/0044; H04R 1/025;
A61L 9/22; A61L 9/03; A61L 9/02; A61L
9/032; A61L 9/035; A61L 9/04; A61L
9/13; A61L 9/122; A61L 9/127; A01M
1/2061; F24F 3/14; A61M 11/042; F21W
2121/00; F21S 2/00

See application file for complete search history.

(56) **References Cited**

U.S. PATENT DOCUMENTS

- 3,740,931 A * 6/1973 Nowicki F02M 35/09
96/419
- 3,912,074 A * 10/1975 Vargo B65D 65/24
206/779
- 4,729,070 A * 3/1988 Chiu F21V 17/02
362/227
- D324,924 S * 3/1992 Bengochea D26/77

- D459,525 S * 6/2002 Barry D26/73
- D473,966 S * 4/2003 Lecluze D26/74
- 6,663,260 B1 * 12/2003 Tieszen G01N 21/8806
362/249.02
- D526,340 S * 8/2006 Hodgson D16/135
- D530,525 S * 10/2006 Greene, II D6/309
- D547,483 S * 7/2007 Pickett D26/59
- D558,384 S * 12/2007 Bickler D26/88

(Continued)

OTHER PUBLICATIONS

amazon.com, Himalayan Pink Salt Lamp Night Light Wireless Small Mini Bluetooth Speaker. Date uploaded Jan. 12, 2020. Retrieved from internet on Jun. 29, 2020 from amazon.com/Himalayan-Night-Wireless-Bluetooth-Speaker/dp/B083S5G9NH/ . . . (Year: 2020).*

(Continued)

Primary Examiner — Sheryl Lane
Assistant Examiner — Stacey L Hopkins
(74) *Attorney, Agent, or Firm* — Tsz Lung Yeung

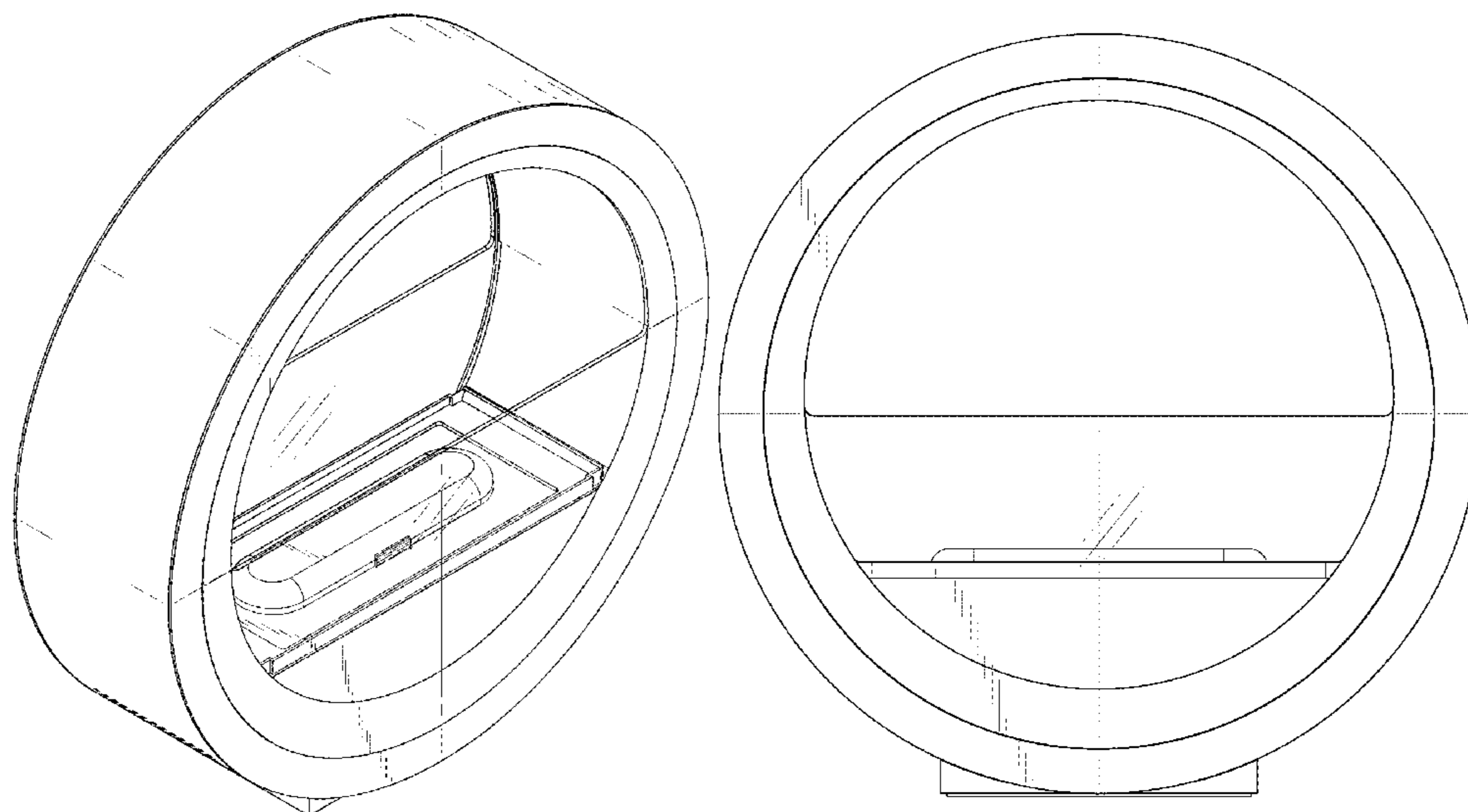
(57) **CLAIM**

The ornamental design for a combined salt lamp and speaker, as shown and described.

DESCRIPTION

FIG. 1 is a perspective view of a combined salt lamp and speaker showing my new design;
FIG. 2 is a front view thereof;
FIG. 3 is a rear view thereof;
FIG. 4 is a left end view thereof;
FIG. 5 is a right end view thereof;
FIG. 6 is a top view thereof;
FIG. 7 is a bottom view thereof; and,
FIG. 8 is a bottom perspective view thereof.
Throughout the drawings the broken lines depict portions of the combined salt lamp and speaker that form no part of the claimed design.

1 Claim, 8 Drawing Sheets



(56)

References Cited

U.S. PATENT DOCUMENTS

D558,386 S * 12/2007 Bickler D26/89
 D583,982 S * 12/2008 Meyer D26/89
 D590,074 S * 4/2009 Chang D26/1
 D599,390 S * 9/2009 Takishima D16/135
 D603,438 S * 11/2009 Takishima D16/130
 D605,333 S * 12/2009 Miranda D26/88
 D606,236 S * 12/2009 Sabernig D26/93
 D611,178 S * 3/2010 Waring D26/34
 D618,827 S * 6/2010 Matsumoto D26/1
 D630,350 S * 1/2011 Lin D26/24
 D641,518 S * 7/2011 Van den Akker D26/89
 D657,575 S * 4/2012 Weber D6/300
 D694,795 S * 12/2013 Hyers D16/135
 D702,279 S * 4/2014 Zhan D16/239
 D710,490 S * 8/2014 Shurtleff D23/411
 RE45,354 E * 2/2015 Morgan D26/84
 D728,842 S * 5/2015 Arola Ferrer D26/83
 D737,497 S * 8/2015 Burgess D26/113
 D747,229 S * 1/2016 Perez D10/104.1

D753,755 S * 4/2016 Zhan D16/239
 D790,619 S * 6/2017 Huang D16/135
 D792,631 S * 7/2017 Sonneman D26/87
 D803,287 S * 11/2017 Whetsel D16/135
 D817,923 S * 5/2018 Hong D14/211
 10,054,297 B1 * 8/2018 Saeed F21V 19/04
 D855,242 S * 7/2019 Chen D26/106
 D872,348 S * 1/2020 Liu D26/106
 D880,756 S * 4/2020 Cornelissen D26/88
 10,648,658 B1 * 5/2020 Yang F21V 33/0064
 2010/0188841 A1 * 7/2010 Rahbar-Dehghan ... G02B 25/02
 362/109
 2019/0208158 A1 * 7/2019 D'Ambrosio H04N 5/70

OTHER PUBLICATIONS

articture.com, Pumpkin Salt Lamp. Undated online product page.
 Retrieved on Jun. 29, 2020 from articture.com. <https://articture.com/products/pumpkin-salt-lamp?variant=23708802089018¤cy=USD> . . . (Year: 2020).*

* cited by examiner

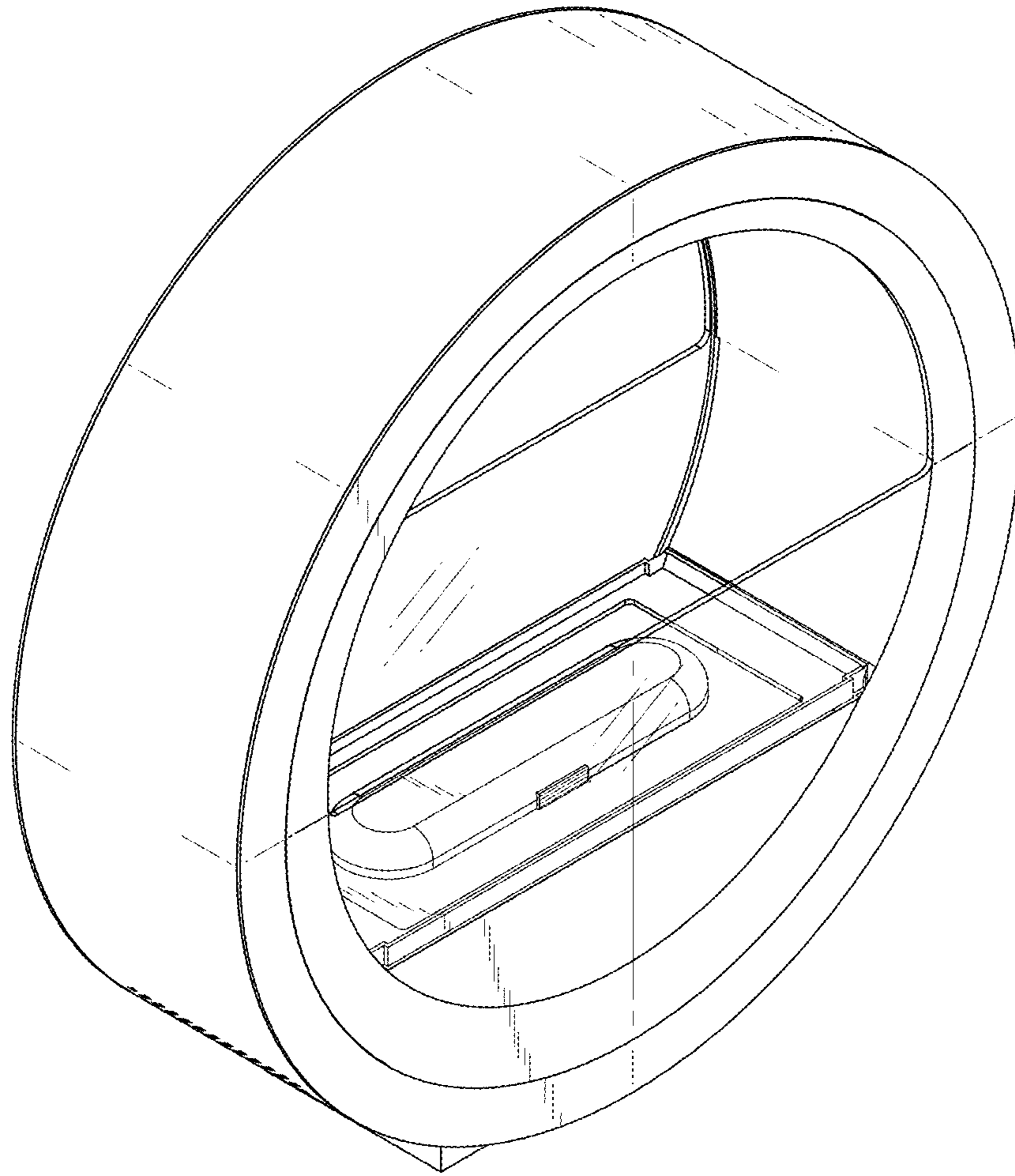


FIG.1

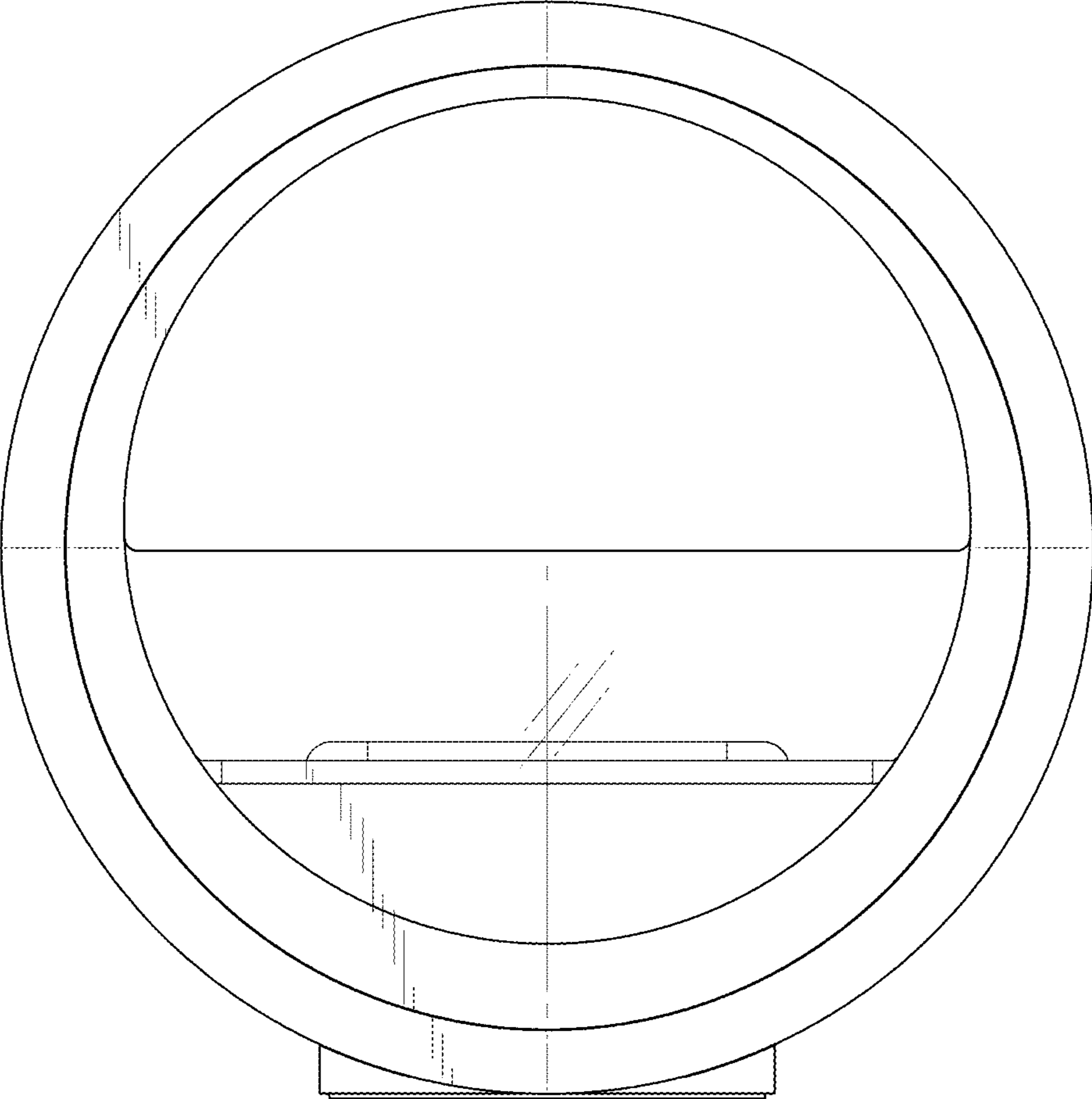


FIG.2

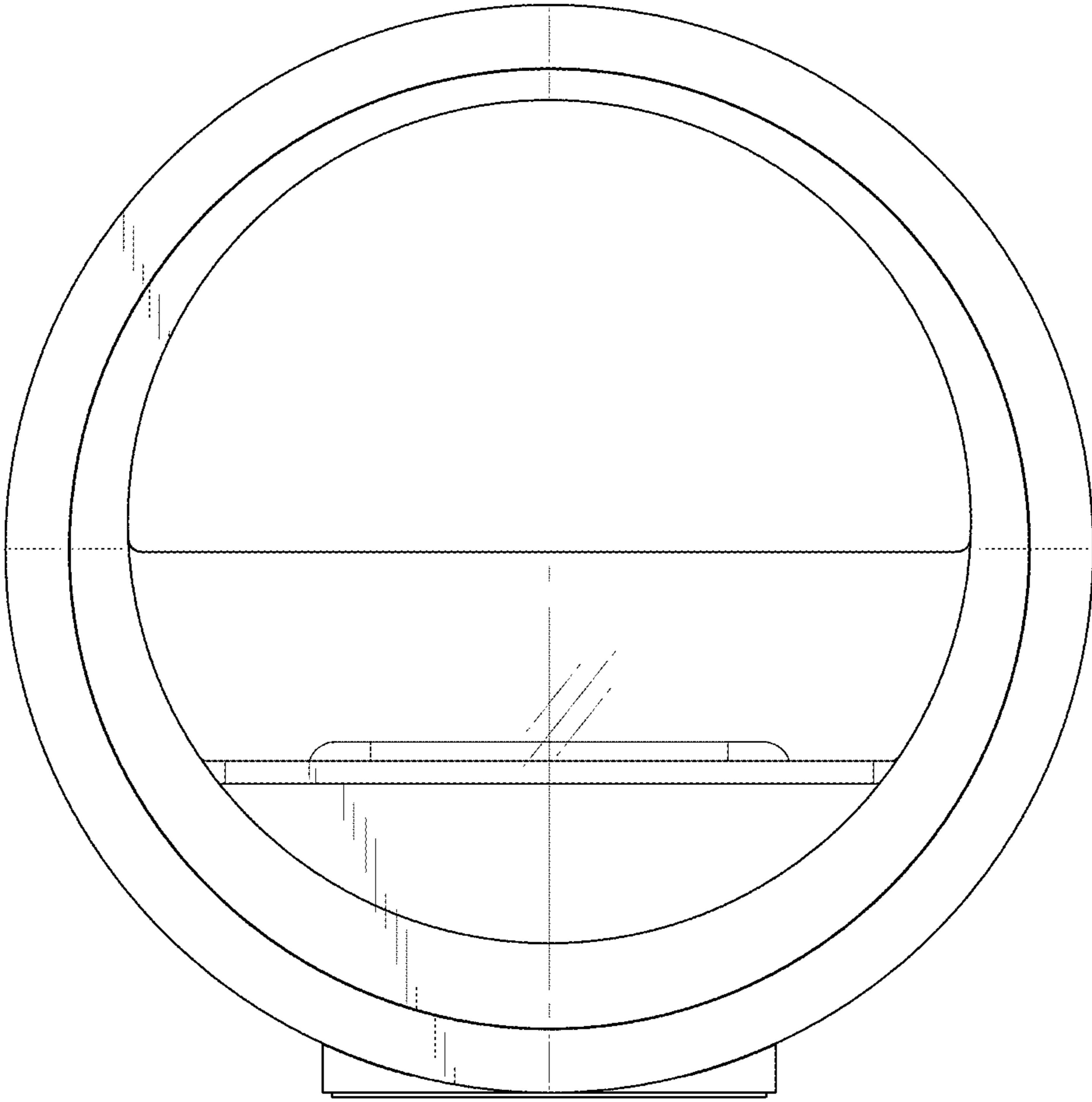


FIG.3

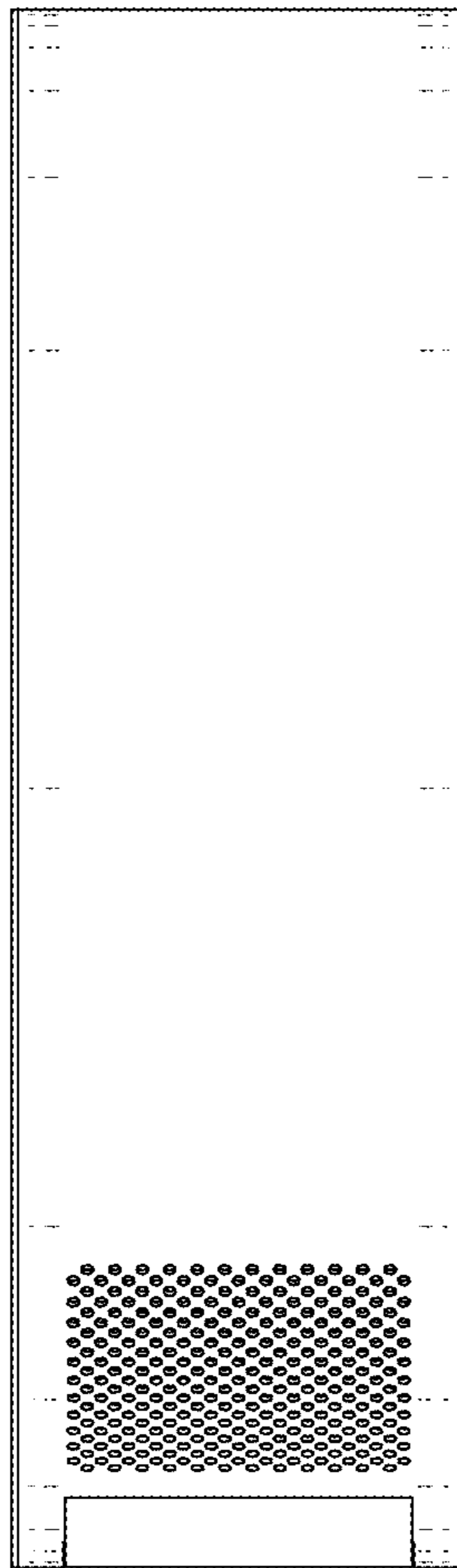


FIG.4

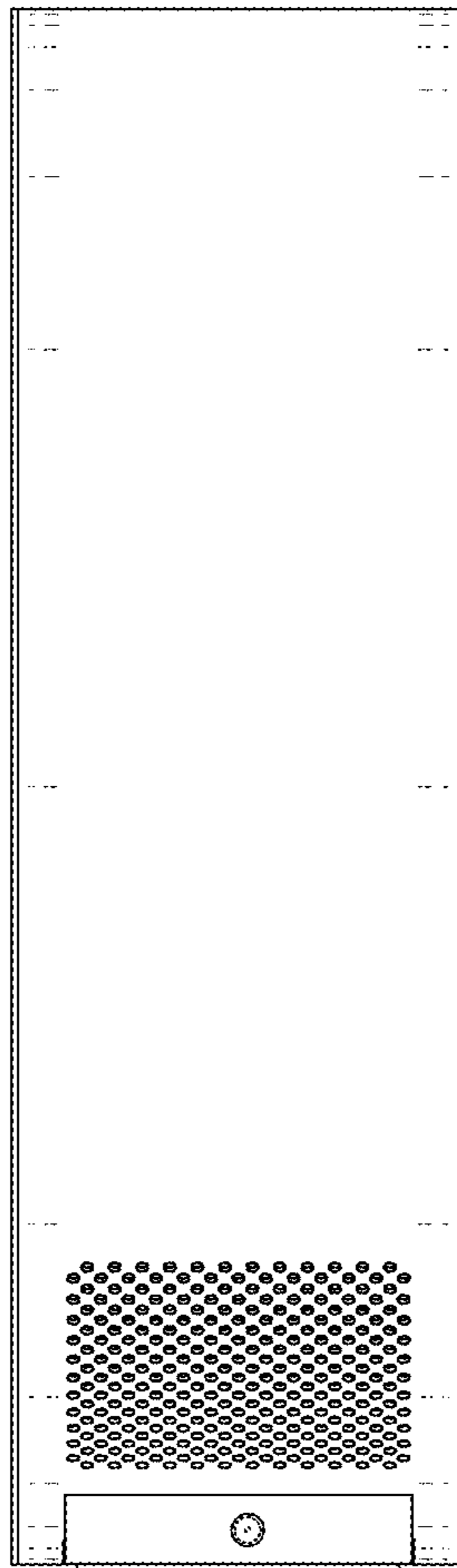


FIG. 5

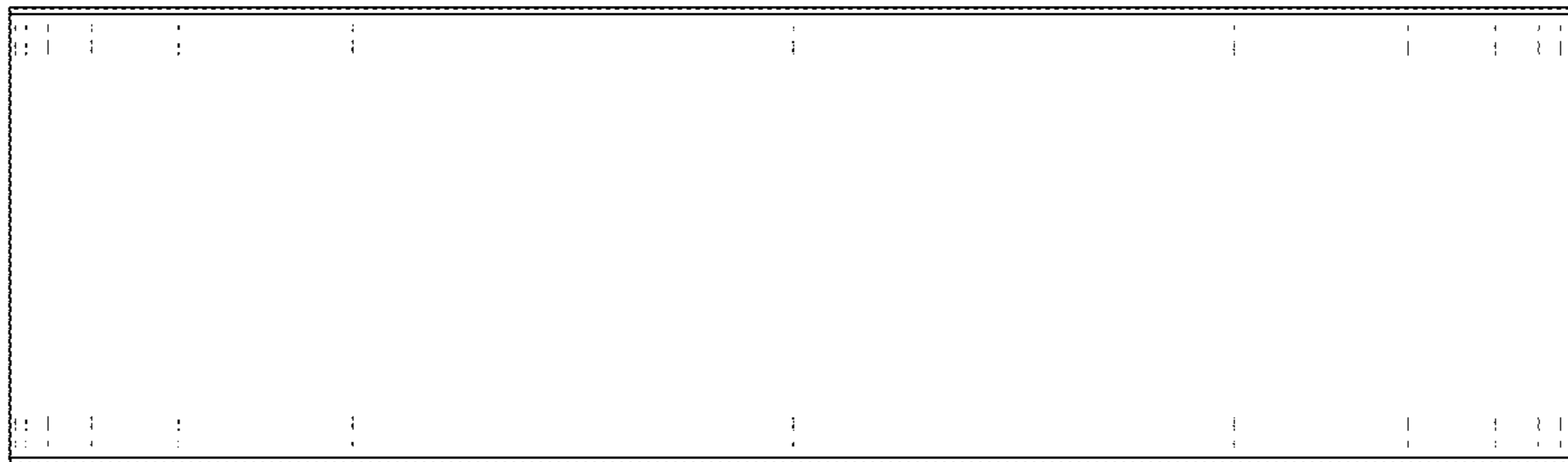


FIG.6

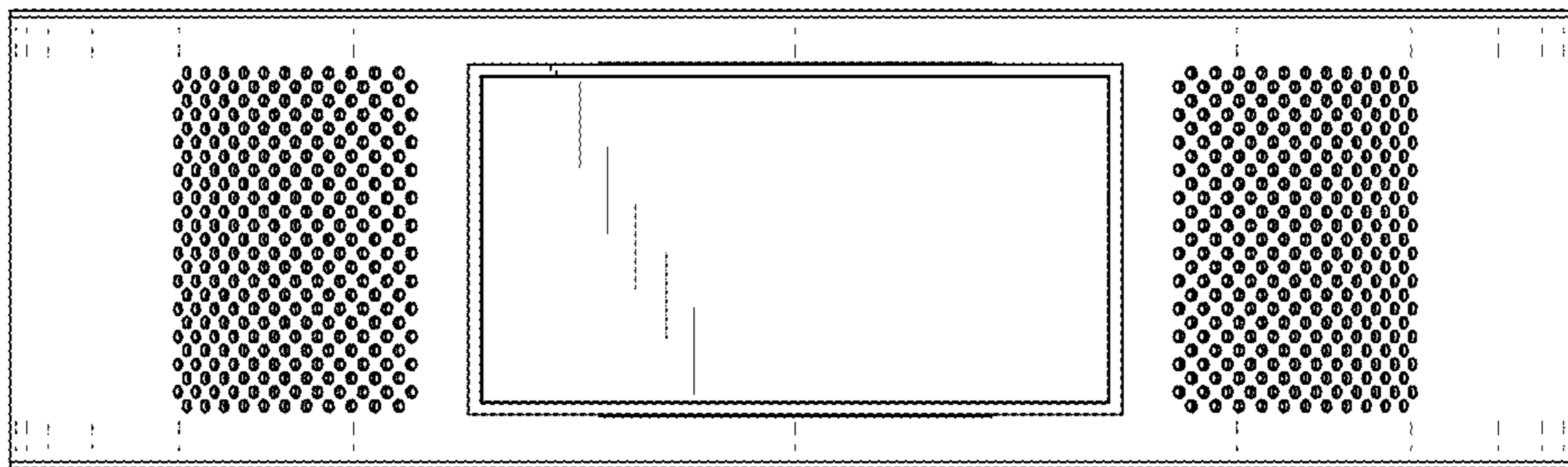


FIG. 7

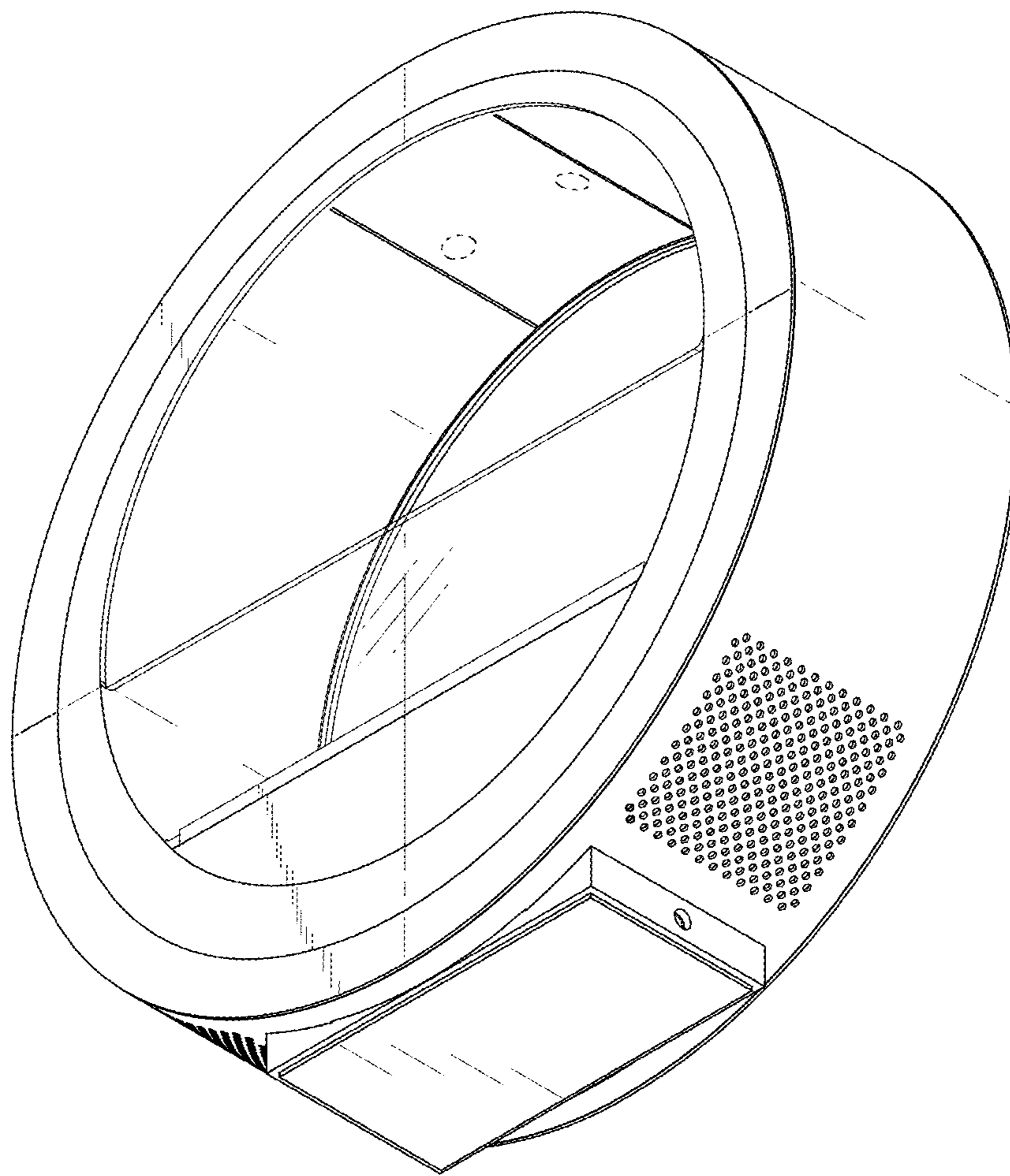


FIG.8