



US00D898965S

(12) **United States Design Patent**
Eichelberger

(10) **Patent No.:** **US D898,965 S**

(45) **Date of Patent:** **** Oct. 13, 2020**

(54) **LIGHTING DEVICE**

(71) Applicant: **Streamlight, Inc.**, Eagleville, PA (US)

(72) Inventor: **Cleatis Eichelberger**, East Norriton, PA (US)

(73) Assignee: **Streamlight, Inc.**, Eagleville, PA (US)

(**) Term: **15 Years**

(21) Appl. No.: **29/689,482**

(22) Filed: **Apr. 30, 2019**

Related U.S. Application Data

(63) Continuation of application No. 29/618,877, filed on Sep. 25, 2017, now Pat. No. Des. 864,449.

(51) **LOC (12) Cl.** **26-02**

(52) **U.S. Cl.**
USPC **D26/39**

(58) **Field of Classification Search**
USPC D26/37-51
CPC F21L 2003/00; F21L 4/00; F21L 4/005;
F21L 4/02; F21L 4/025; F21L 4/027;
F21L 4/04; F21L 4/08; F21L 2005/00;
F21L 7/00; F21L 11/00; F21L 13/00;
F21L 13/04; F21L 13/08; F21L 14/02;
F21L 17/00; F21L 19/00; F21L 25/00

See application file for complete search history.

(56) **References Cited**

U.S. PATENT DOCUMENTS

D523,160 S * 6/2006 Chen D26/37
D526,734 S * 8/2006 Brown D26/39

D614,334 S * 4/2010 Thomson D26/38
D645,179 S * 9/2011 Gulker D26/37
D648,298 S * 11/2011 Pierce D14/138 G
D656,647 S * 3/2012 Hodgson D26/44
D665,522 S * 8/2012 Werner D26/37
D726,943 S * 4/2015 Petzl D26/39
D750,304 S * 2/2016 Khayat D26/38
D805,667 S * 12/2017 Green D26/39
D830,602 S * 10/2018 Melchior D26/39
D857,267 S * 8/2019 Sherry D26/37
D857,958 S * 8/2019 Willows D26/38

* cited by examiner

Primary Examiner — Lakiya G Rogers

Assistant Examiner — Carissa C Fitts

(74) *Attorney, Agent, or Firm* — Quarles & Brady LLP;
James J. Aquilina

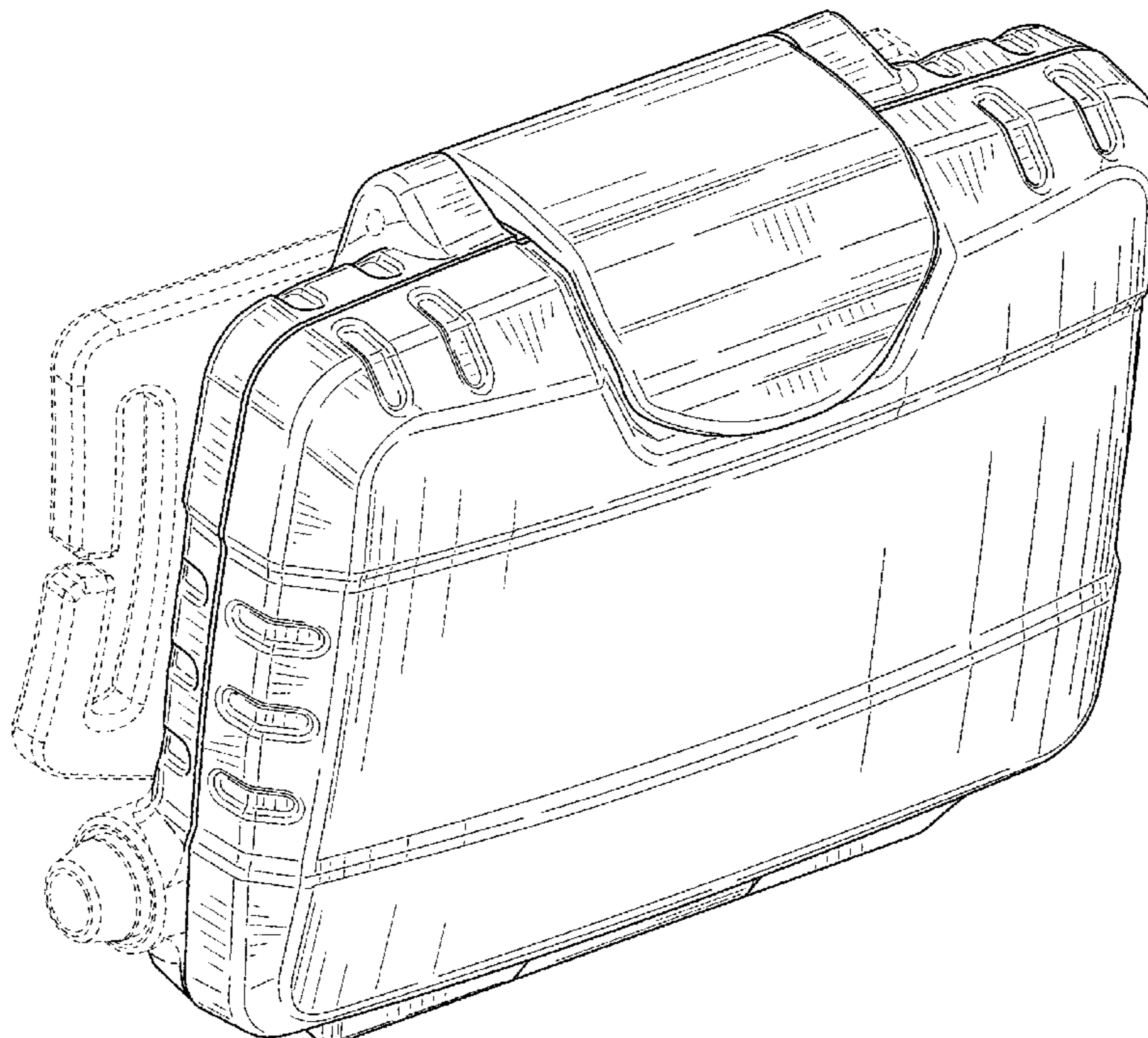
(57) **CLAIM**

The ornamental design for a lighting device, as shown and described.

DESCRIPTION

FIG. 1 is a front perspective view of a lighting device showing my new design;
FIG. 2 is a front elevation view thereof;
FIG. 3 is a left side elevation view thereof;
FIG. 4 is a right side elevation view thereof;
FIG. 5 is a top plan view thereof; and,
FIG. 6 is a bottom plan view thereof.
The dashed broken lines in the Figures show unclaimed portions of the lighting device. The long dash-short dash broken lines in the Figures show unclaimed boundaries between claimed and unclaimed subject matter.

1 Claim, 4 Drawing Sheets



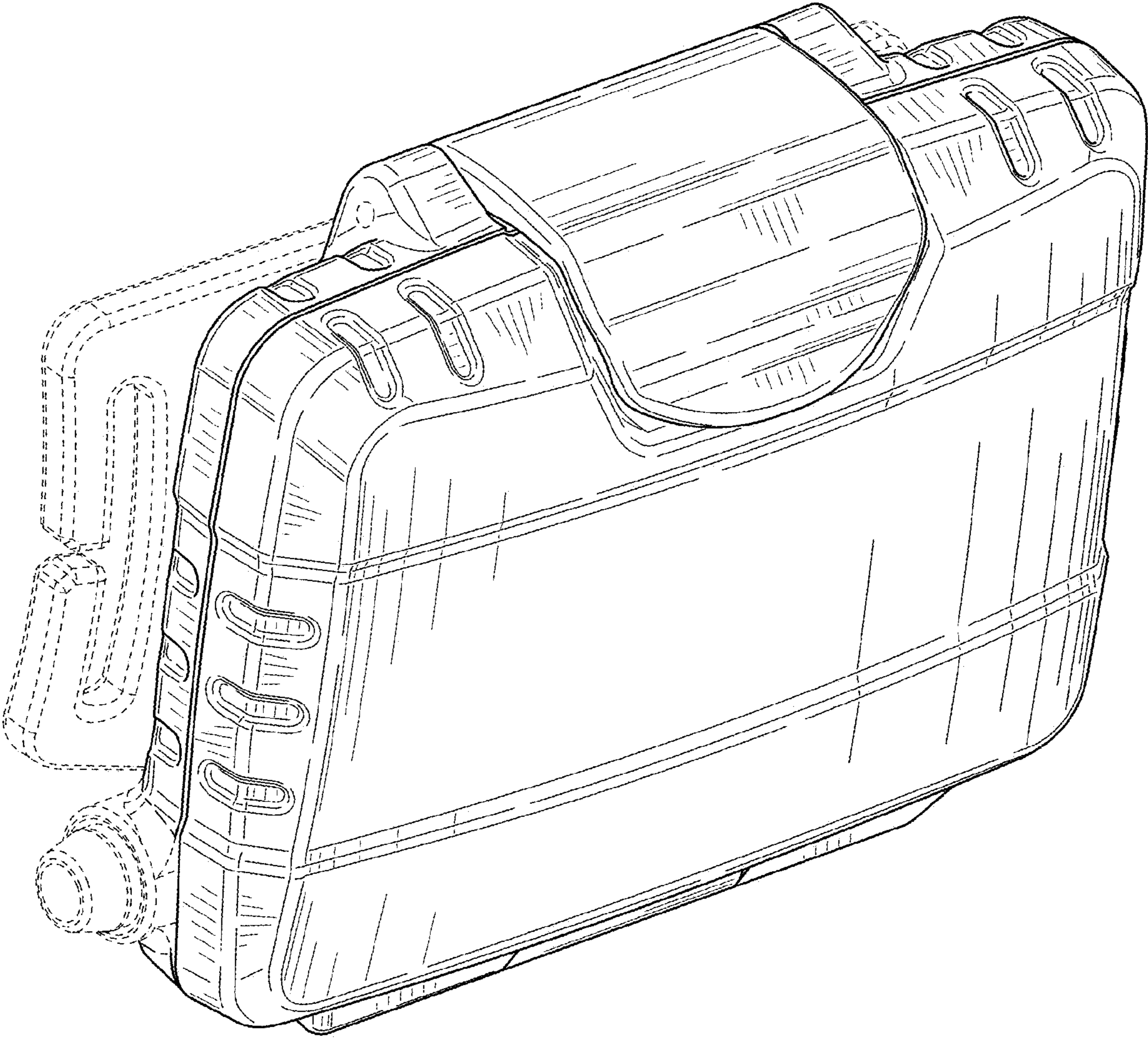


FIG. 1

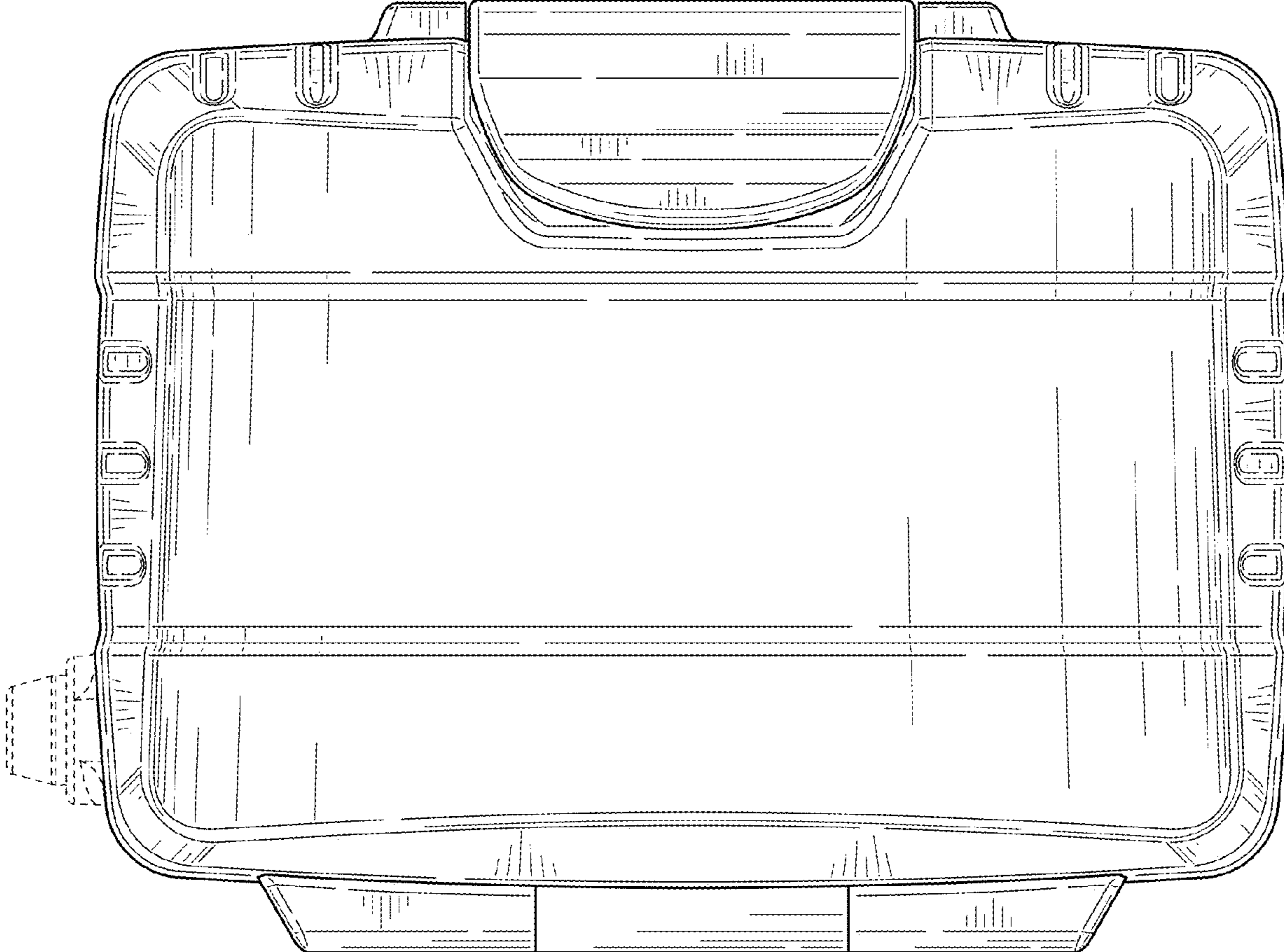


FIG. 2

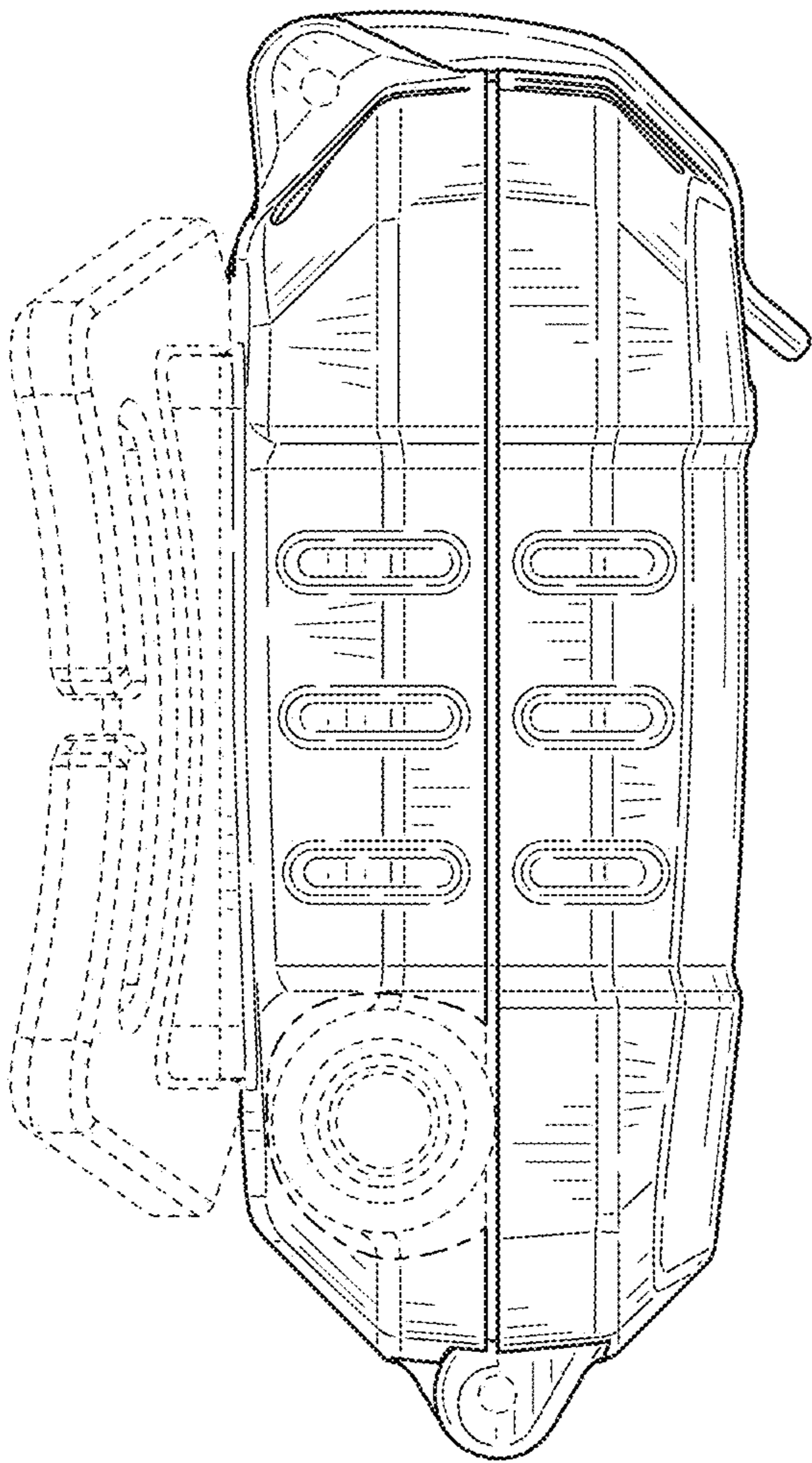


FIG. 3

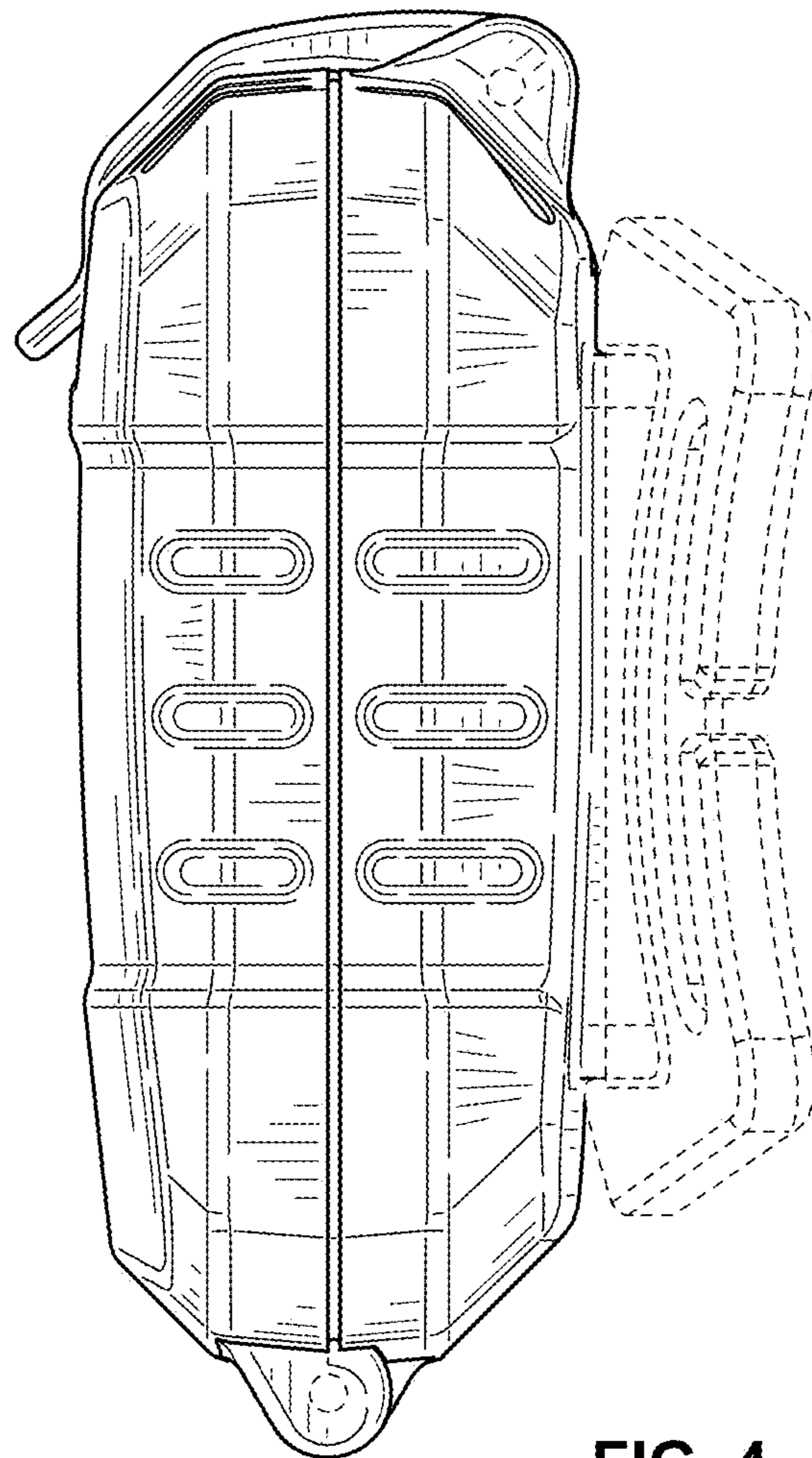


FIG. 4

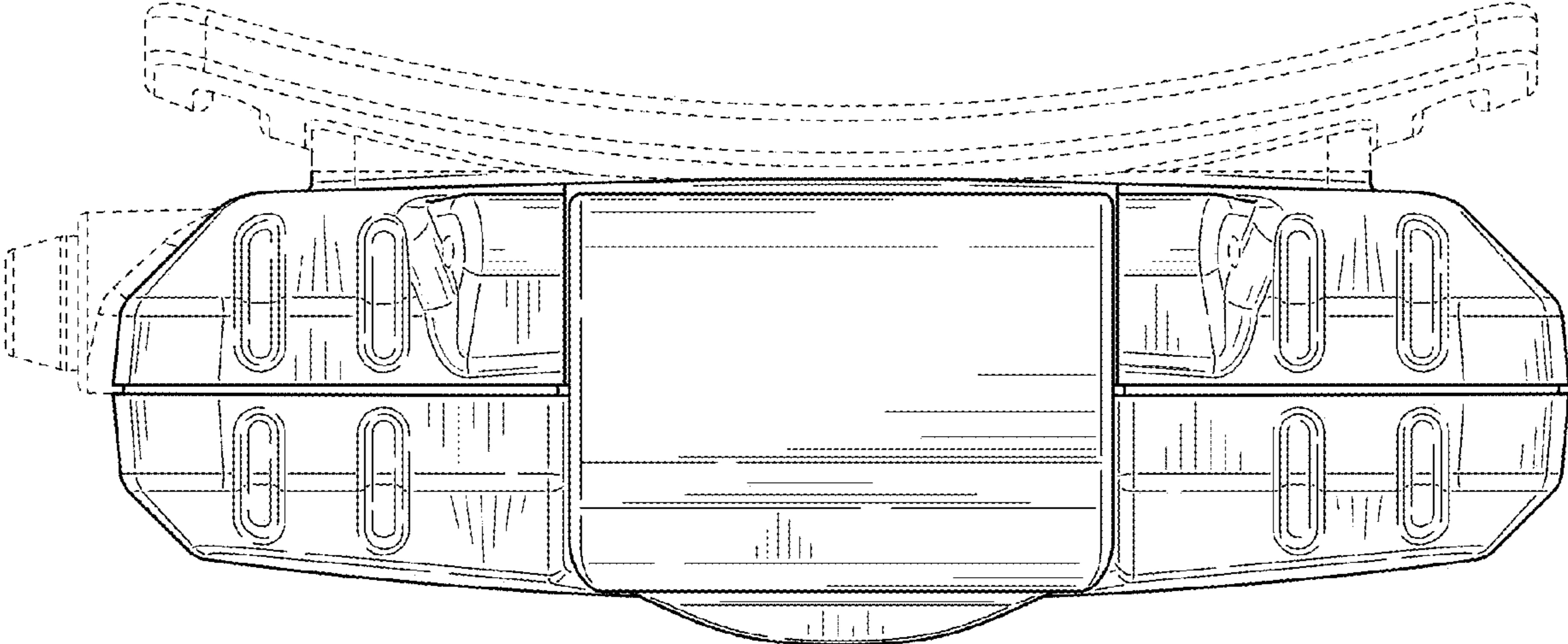


FIG. 5

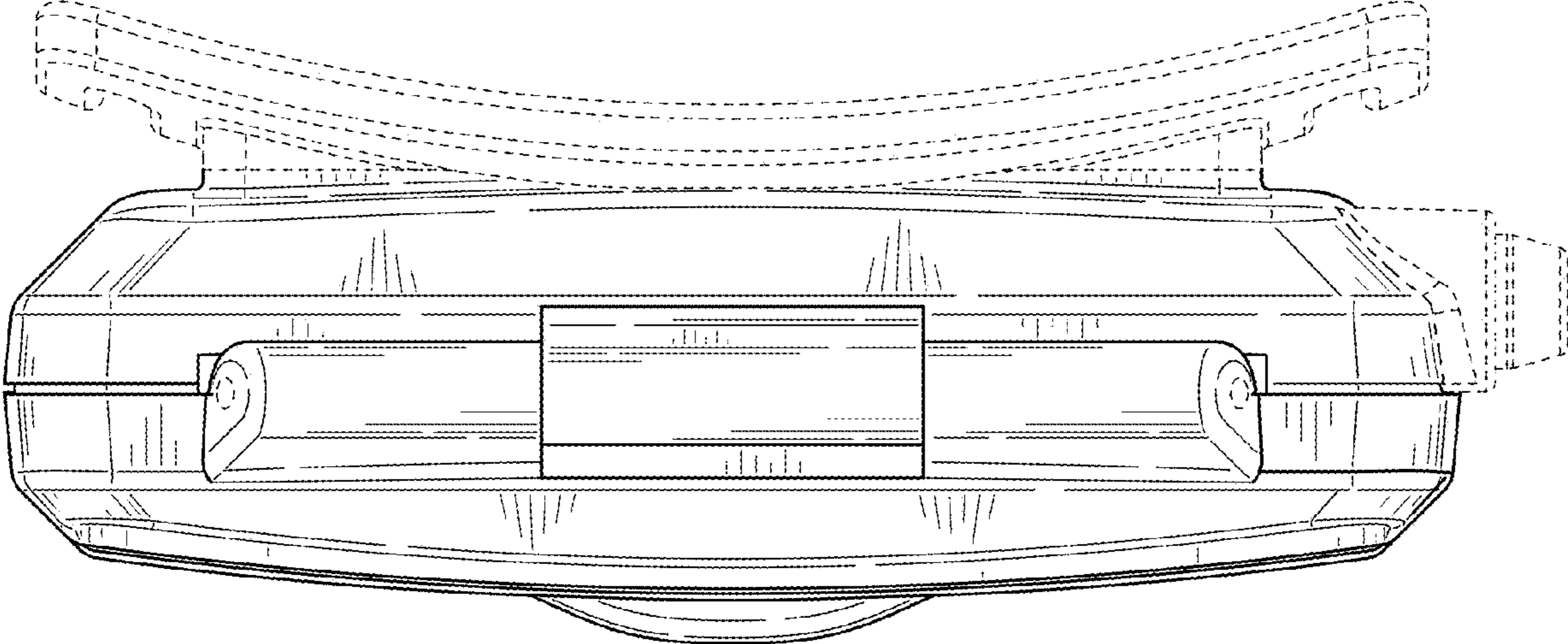


FIG. 6