



US00D898963S

(12) **United States Design Patent** (10) **Patent No.:** **US D898,963 S**
Wiltshire et al. (45) **Date of Patent:** **** Oct. 13, 2020**

(54) **VEHICLE HEADLAMP ASSEMBLY**
(71) Applicant: **Jaguar Land Rover Limited**, Whitley, Coventry (GB)
(72) Inventors: **Julian Wiltshire**, Coventry (GB); **Massimo Frascella**, Coventry (GB)
(73) Assignee: **Jaguar Land Rover Limited**, Whitley, Coventry (GB)
(**) Term: **15 Years**
(21) Appl. No.: **29/725,690**
(22) Filed: **Feb. 26, 2020**

(56) **References Cited**
U.S. PATENT DOCUMENTS
2,680,804 A * 6/1954 Goldman B60Q 1/0466
362/458
2,728,323 A * 12/1955 Walton B05B 12/20
118/505
D463,873 S * 10/2002 Frasher D26/28
D591,871 S * 5/2009 Saracoglu D26/28
D802,811 S * 11/2017 Lai D26/28
D804,692 S * 12/2017 Lai D26/28
D819,854 S * 6/2018 Lai D26/28
D830,599 S * 10/2018 Lin D26/28
D850,675 S * 6/2019 Lin D26/28
D864,443 S * 10/2019 Lin D26/28
D868,314 S * 11/2019 Lai D26/28
D870,932 S * 12/2019 Lin D26/28

(Continued)

Related U.S. Application Data

(62) Division of application No. 29/626,519, filed on Nov. 17, 2017, now Pat. No. Des. 876,999.

Foreign Application Priority Data

May 17, 2017 (EM) 004006575
May 17, 2017 (EM) 004006609
May 17, 2017 (EM) 004006617

(51) **LOC (12) Cl.** **26-06**
(52) **U.S. Cl.**
USPC **D26/28**

(58) **Field of Classification Search**
USPC D12/86, 90, 91, 92, 114, 163, 169, 171, D12/172, 173, 181, 190, 196, 197, 199, D12/400; D26/28, 29, 30, 31, 32, 33, 34, D26/35, 36
CPC B62J 6/02; B62J 6/00; B60Q 3/10466; B60Q 3/12653; B60Q 3/128; F12S 48/00; F12S 48/10; F12S 48/115; F12S 48/225; F12S 48/1233; F12S 48/1266; F12S 48/1388; F12S 48/2268; F21V 21/04

See application file for complete search history.

Primary Examiner — Susan Bennett Hattan
Assistant Examiner — Suzanne E Tisdell
(74) *Attorney, Agent, or Firm* — Wood Herron & Evans LLP

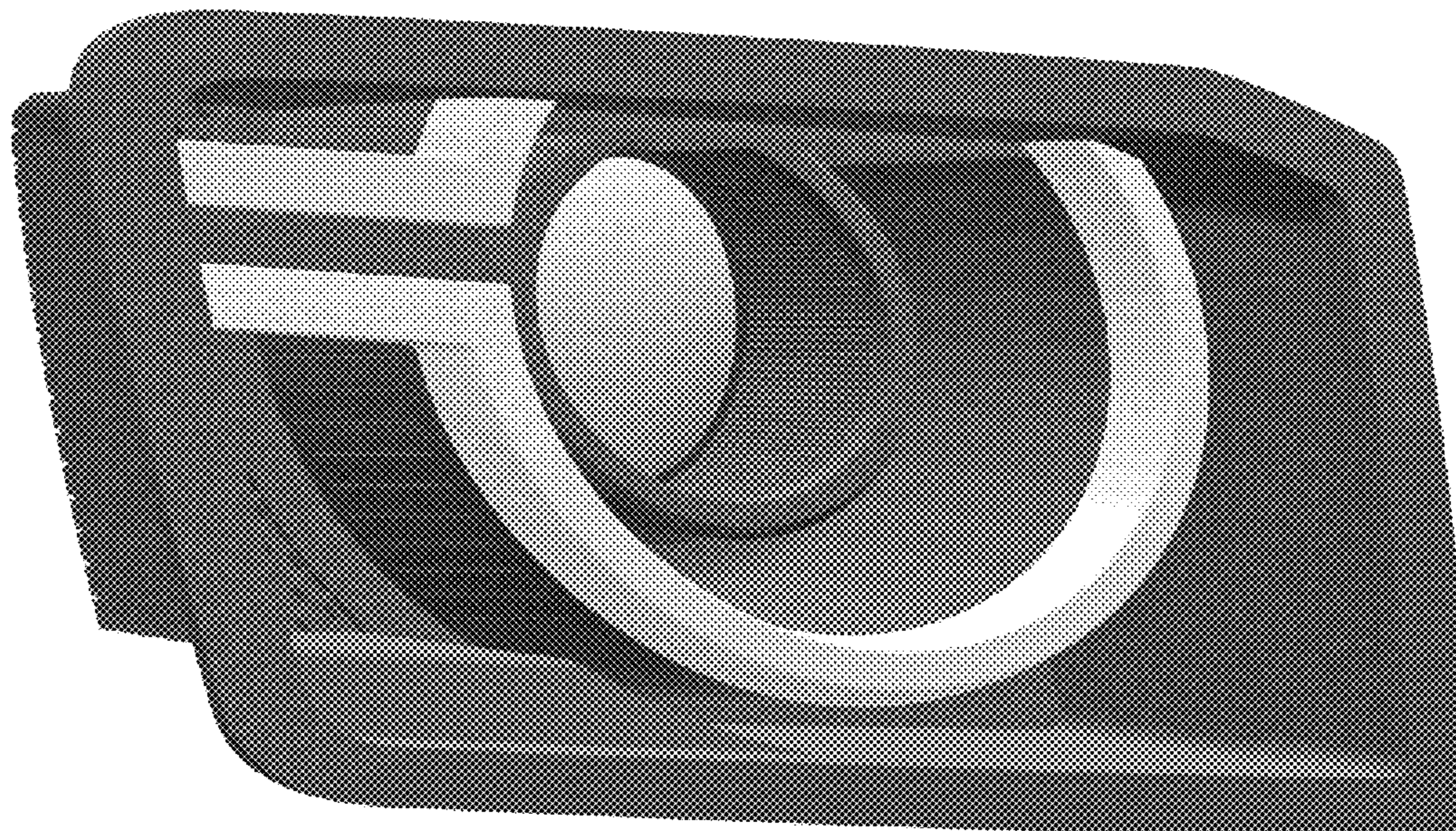
(57) **CLAIM**

The ornamental design for a vehicle headlamp assembly, as shown and described.

DESCRIPTION

FIG. 1 is a front left perspective of a vehicle headlamp assembly of the present invention.
FIG. 2 is a front right perspective view of the vehicle headlamp assembly shown in FIG. 1.
FIG. 3 is a rear right perspective view thereof.
FIG. 4 is a rear left perspective view thereof.
FIG. 5 is a front view thereof.
FIG. 6 is a rear view thereof.
FIG. 7 is a left side view thereof.
FIG. 8 is a right side view thereof.
FIG. 9 is a top view thereof; and,
FIG. 10 is a bottom view thereof.

1 Claim, 10 Drawing Sheets



(56)

References Cited

U.S. PATENT DOCUMENTS

| | | | | |
|--------------|--------|-----|-------|--------|
| D875,975 S * | 2/2020 | Lin | | D26/28 |
| D878,644 S * | 3/2020 | Lai | | D26/28 |
| D879,337 S * | 3/2020 | Lai | | D26/28 |
| D883,526 S * | 5/2020 | Lin | | D26/28 |

* cited by examiner

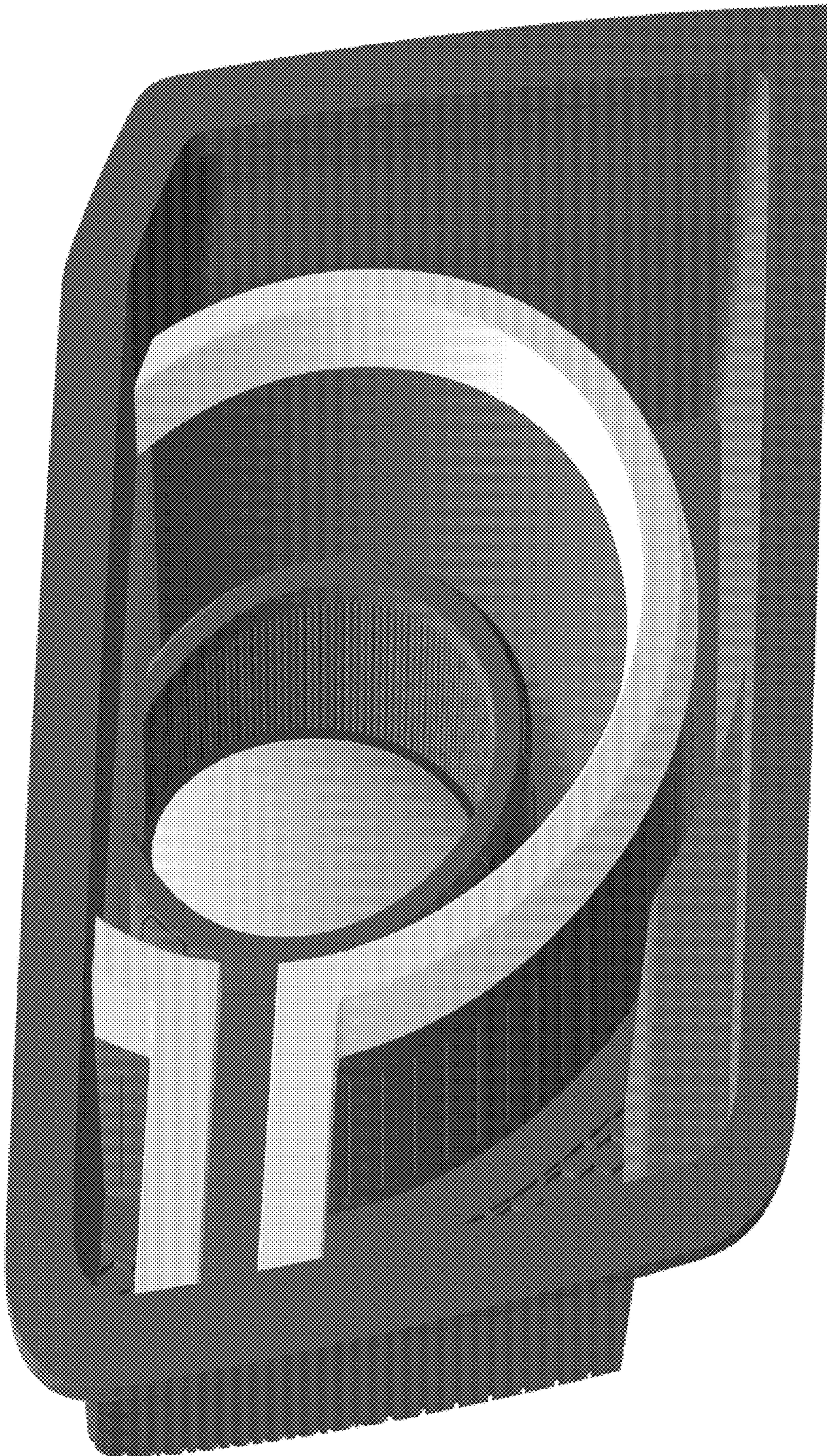


FIG. 1

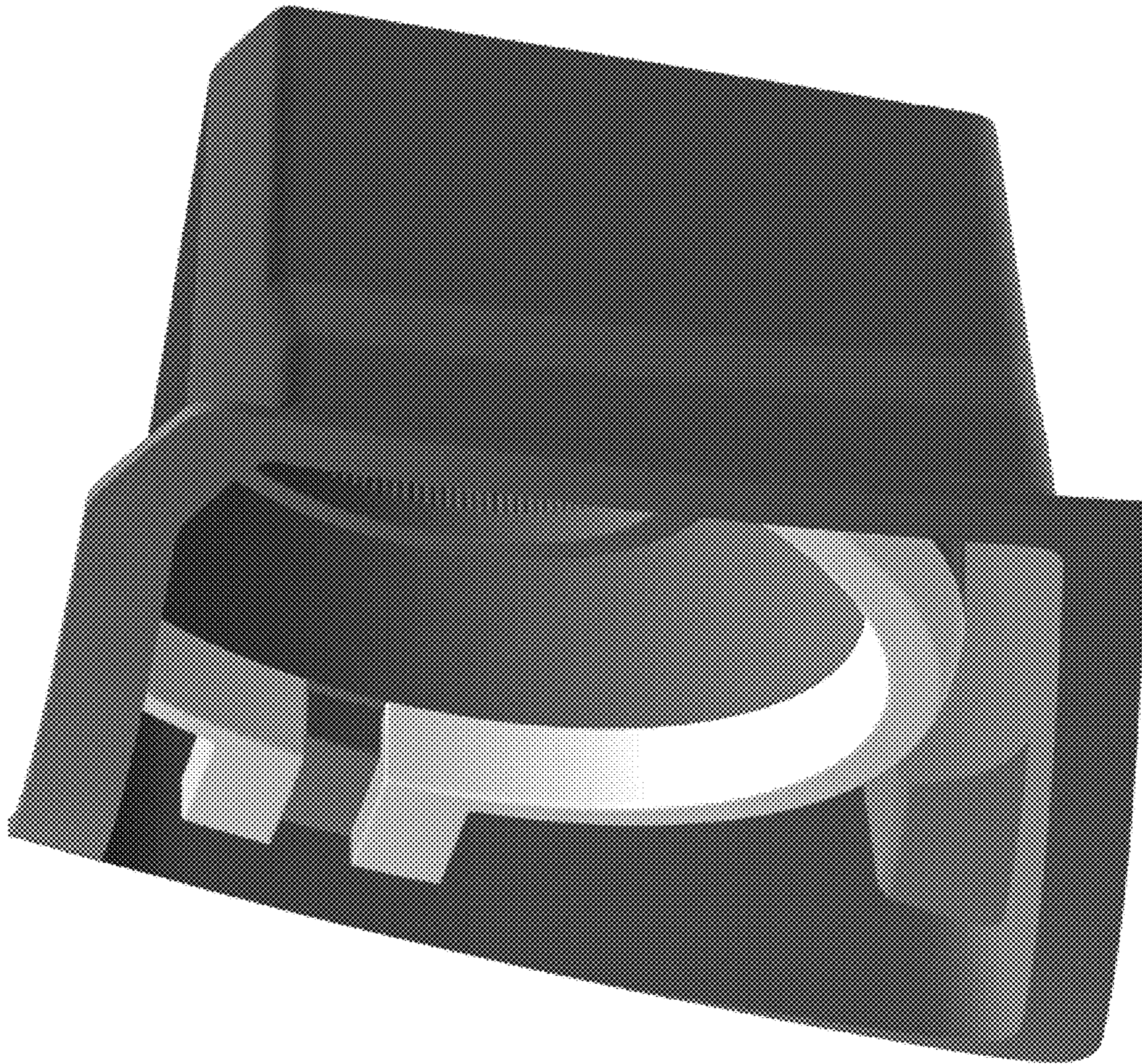


FIG. 2



FIG. 3

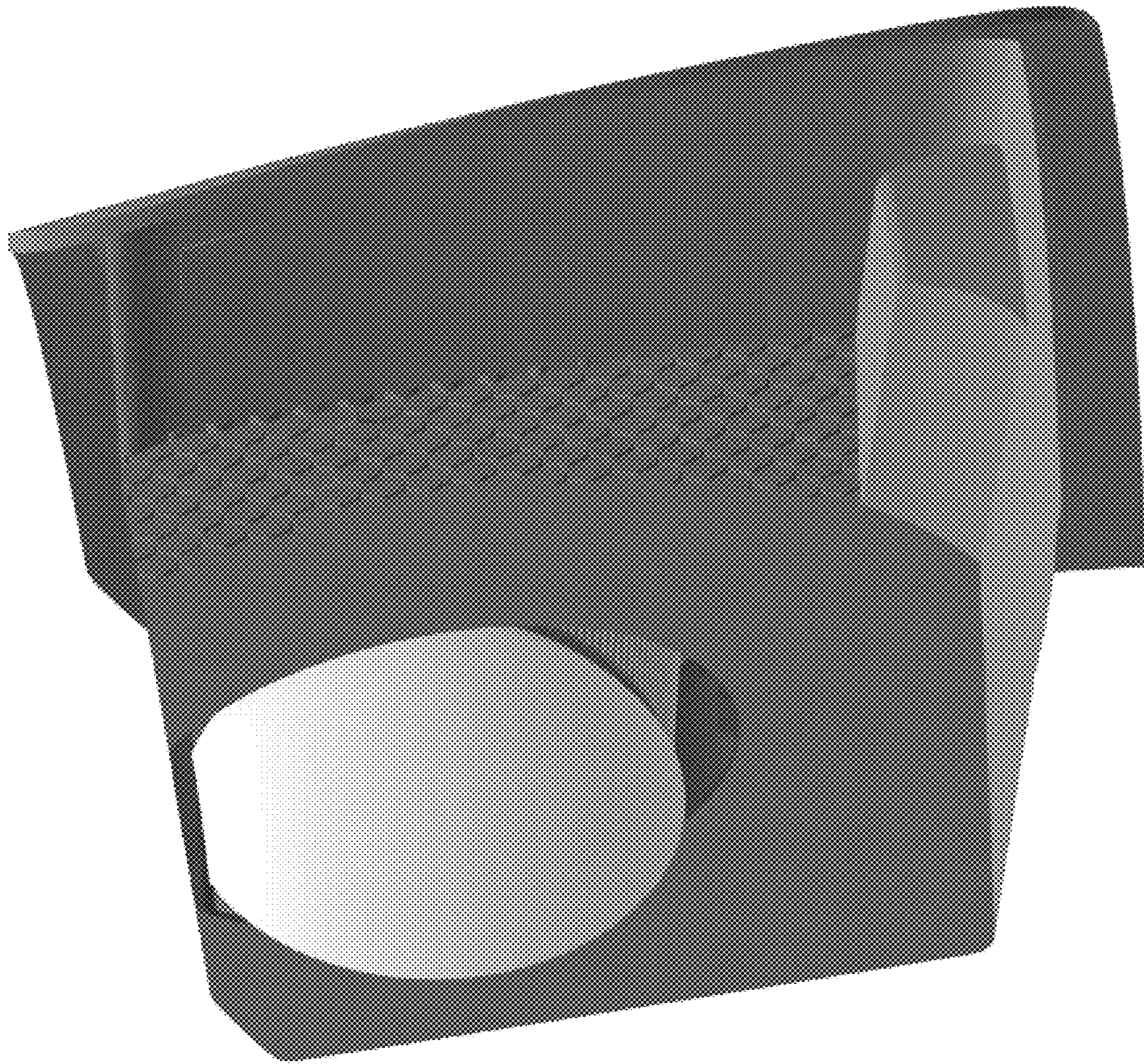


FIG. 4

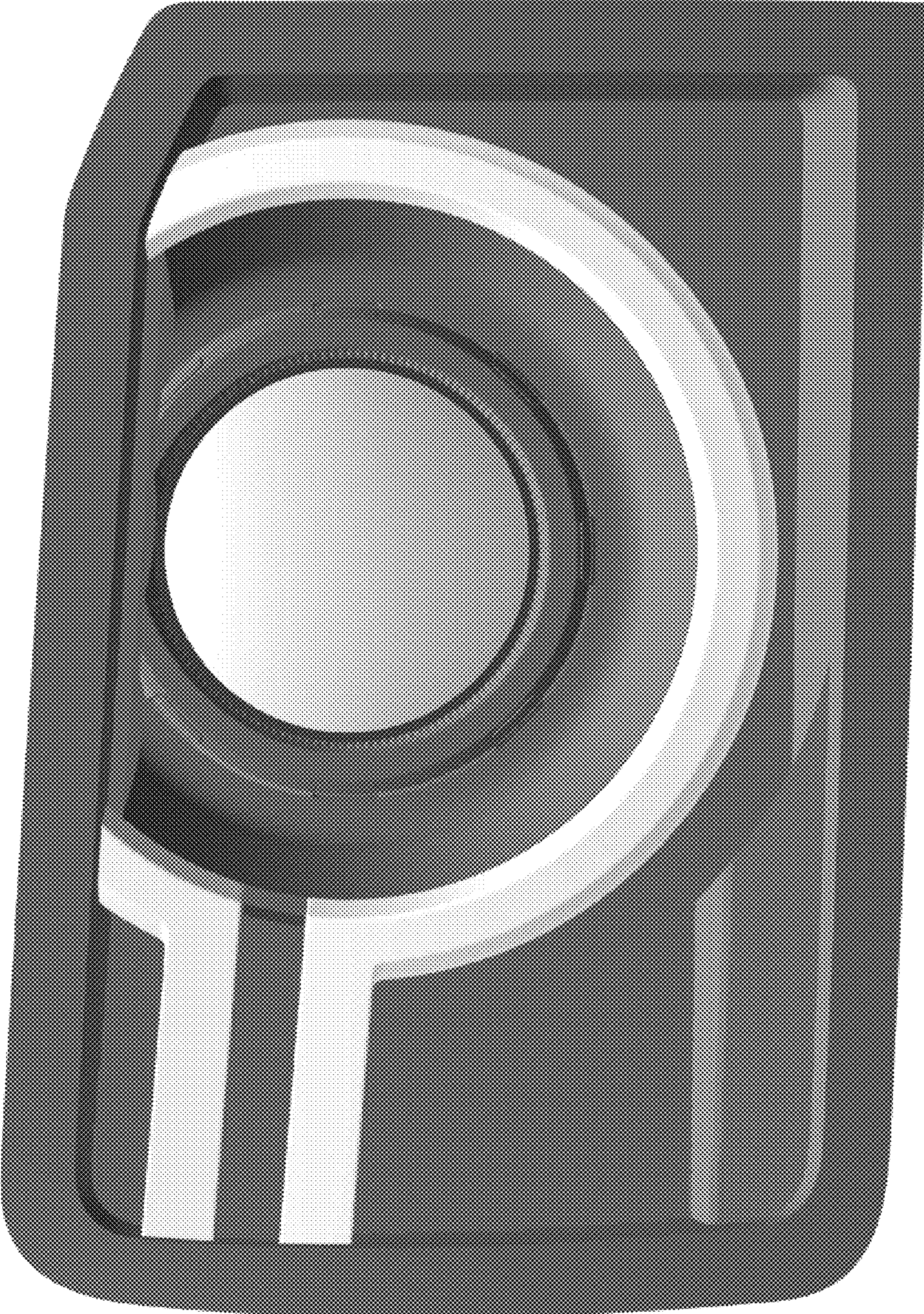


FIG. 5

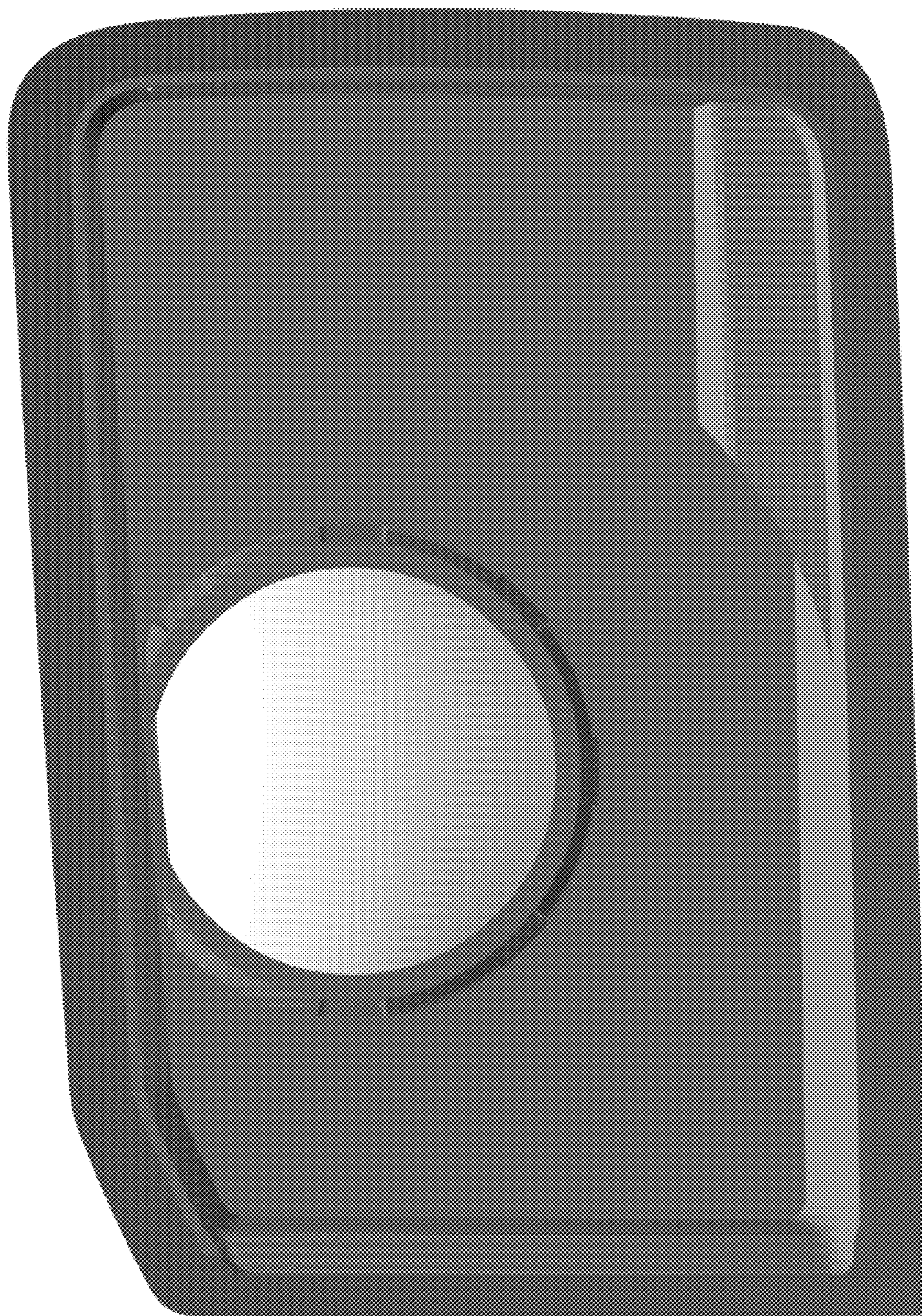


FIG. 6



FIG. 7

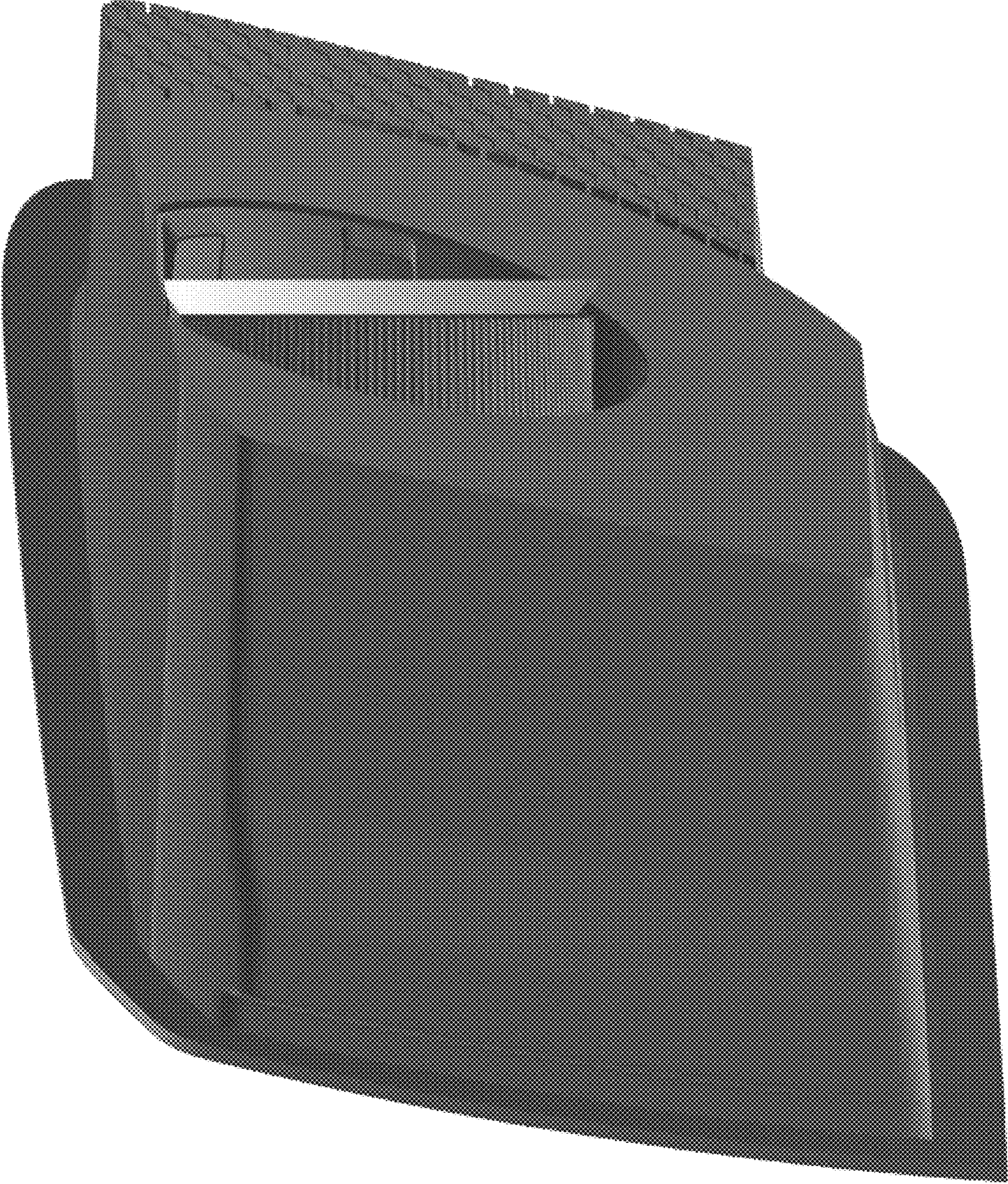


FIG. 8

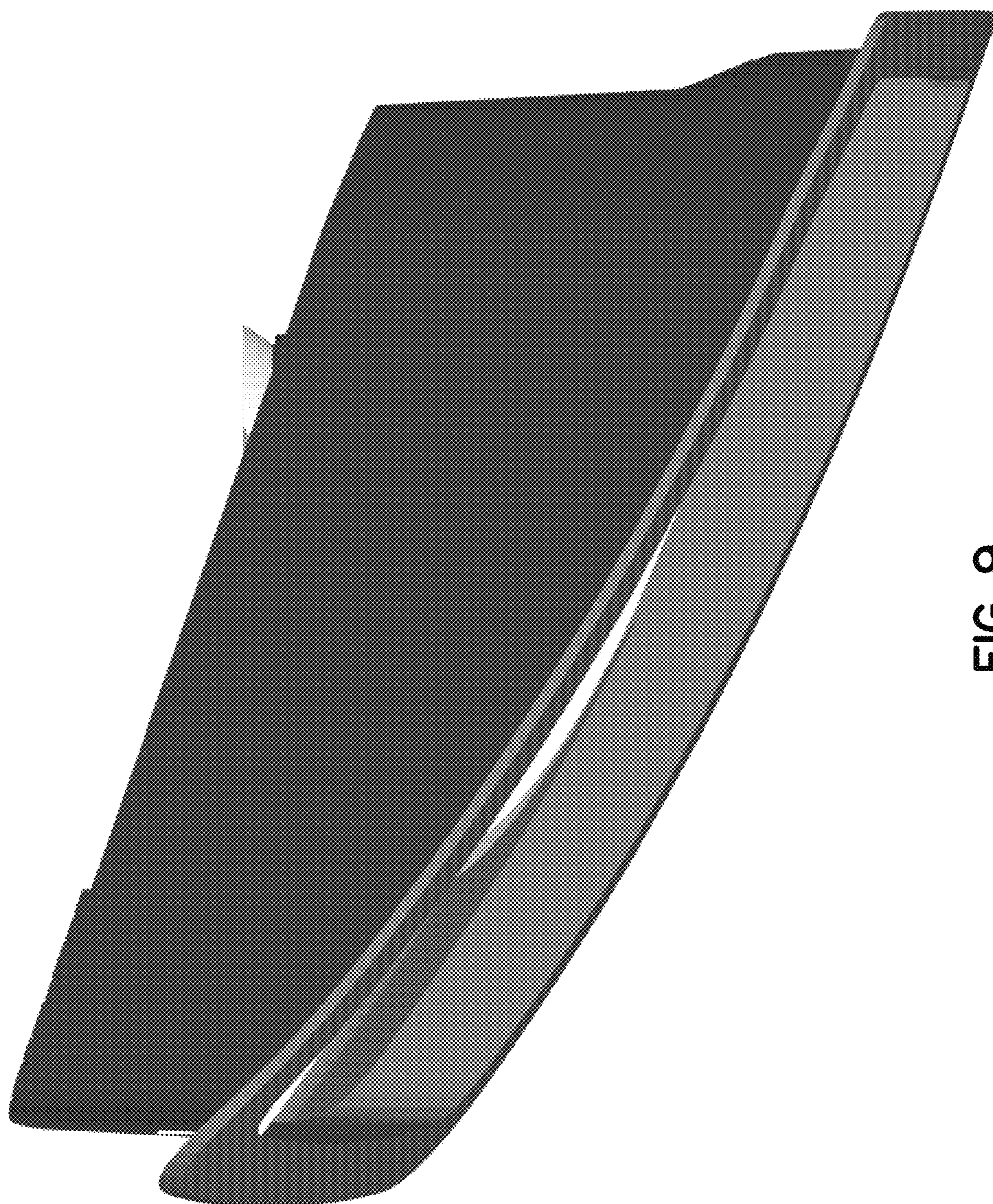


FIG. 9

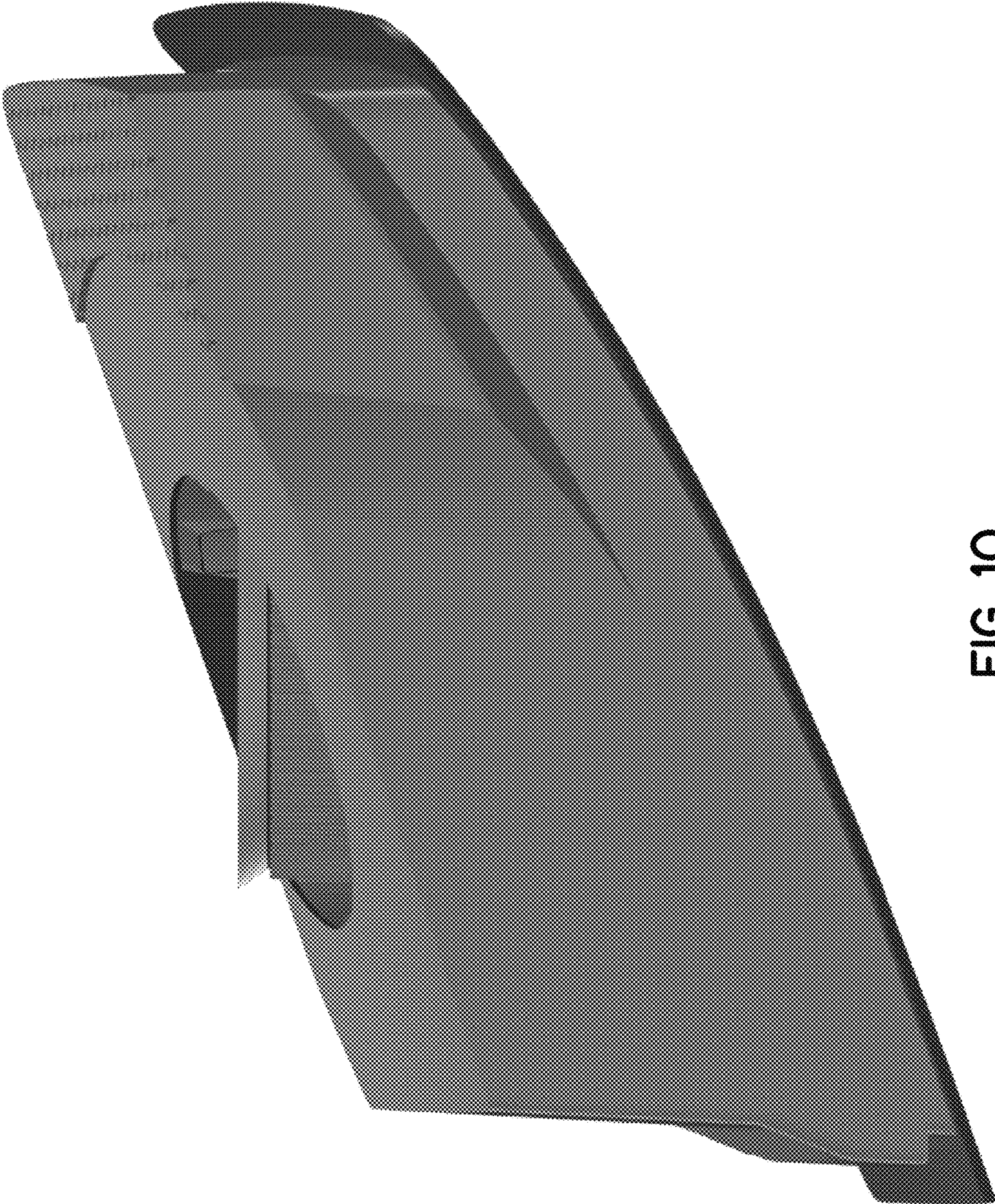


FIG. 10