



US00D898960S

(12) **United States Design Patent**
He

(10) **Patent No.:** **US D898,960 S**

(45) **Date of Patent:** **** Oct. 13, 2020**

(54) **HEADLIGHT**

(71) Applicant: **Ningbo Haichen Auto Parts CO., LTD**, Ningbo (CN)

(72) Inventor: **Qiyu He**, Ningbo (CN)

(**) Term: **15 Years**

(21) Appl. No.: **29/690,562**

(22) Filed: **May 9, 2019**

(30) **Foreign Application Priority Data**

Mar. 25, 2019 (CN) 2019 3 0124817

(51) **LOC (12) Cl.** **26-06**

(52) **U.S. Cl.**
USPC **D26/28**

(58) **Field of Classification Search**

USPC D26/28-36, 139
CPC F21S 48/00; F21S 48/10; F21S 48/1233;
F21S 48/1266; F21S 48/1388; D21S
48/115; D21S 48/225; D21S 48/2268;
F21V 21/04; F21V 29/004; B60Q 9/13;
B60Q 9/135; B60Q 9/1375
See application file for complete search history.

(56) **References Cited**

U.S. PATENT DOCUMENTS

D583,085 S * 12/2008 Yang D26/28
D642,712 S * 8/2011 Ishigaki D26/28

D658,320 S * 4/2012 Goplen D26/28
D686,355 S * 7/2013 Morgenstern D26/28
D718,894 S * 12/2014 Lai D26/28
D721,450 S * 1/2015 Lai D26/28
D754,375 S * 4/2016 Vena D26/28

* cited by examiner

Primary Examiner — Marcus A Jackson

(74) *Attorney, Agent, or Firm* — W&K IP

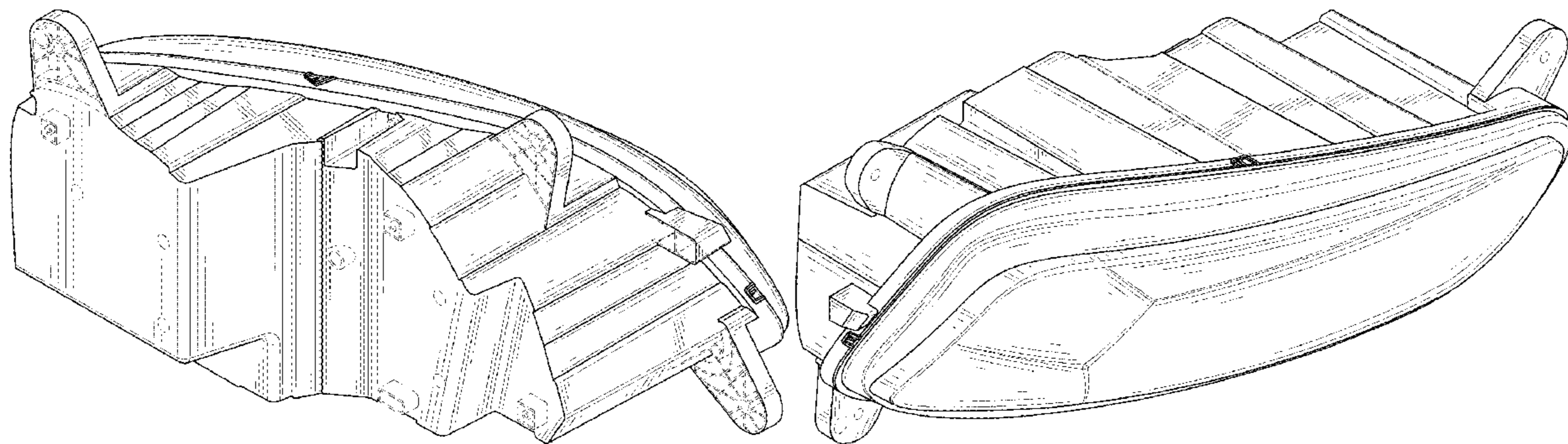
(57) **CLAIM**

The ornamental design for a headlight, as shown and described.

DESCRIPTION

FIG. 1 is a perspective view of a headlight; FIG. 2 is a front elevational view thereof; FIG. 3 is a top plan view thereof; FIG. 4 is a right elevational view thereof; FIG. 5 is a rear elevational view thereof; FIG. 6 is a left elevational view thereof; FIG. 7 is a bottom plan view thereof; FIG. 8 is another perspective view thereof; and, FIG. 9 is yet another perspective view thereof. The broken lines where present illustrate portions of the headlight that form no part of the claimed design.

1 Claim, 9 Drawing Sheets



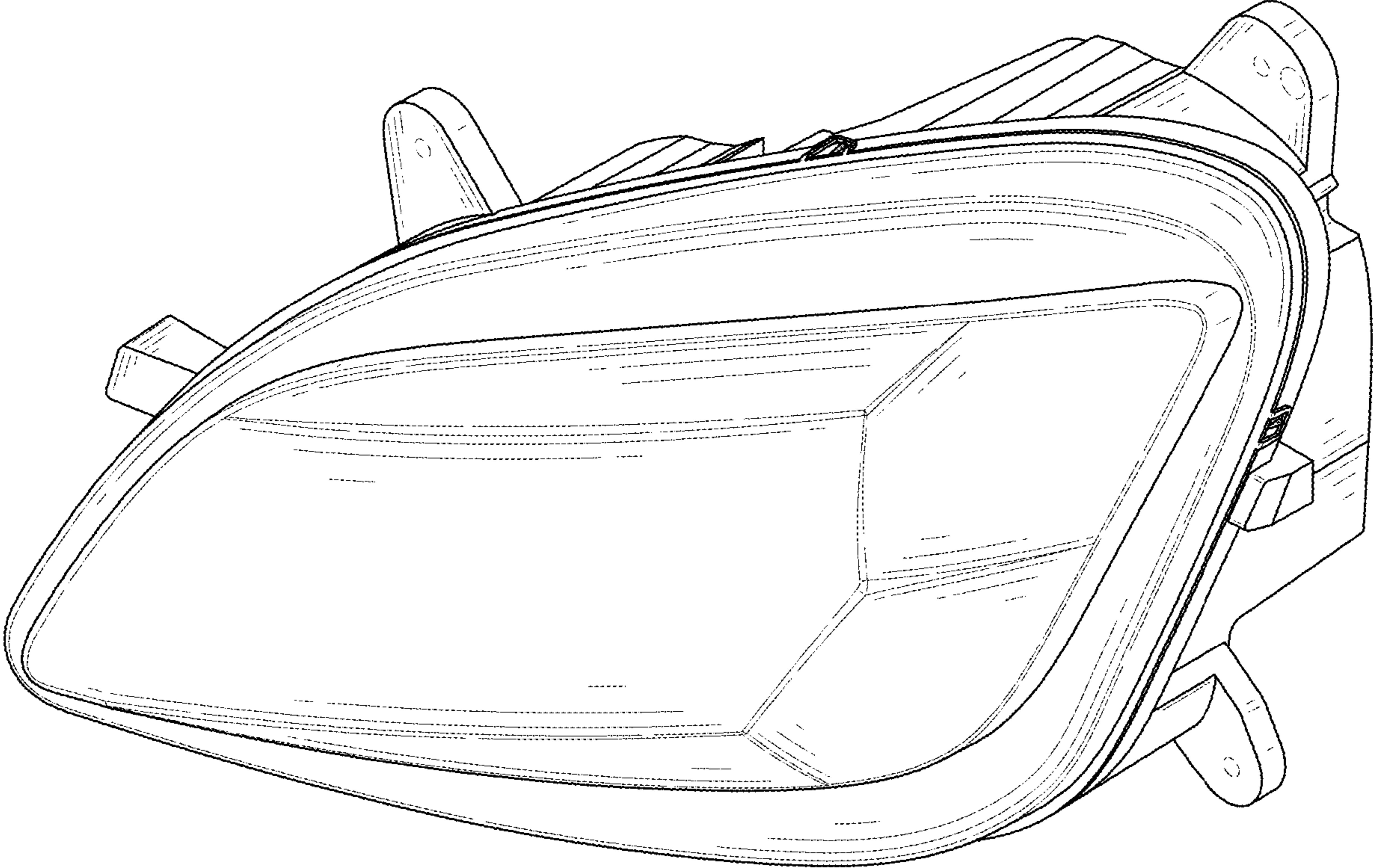


FIG.1

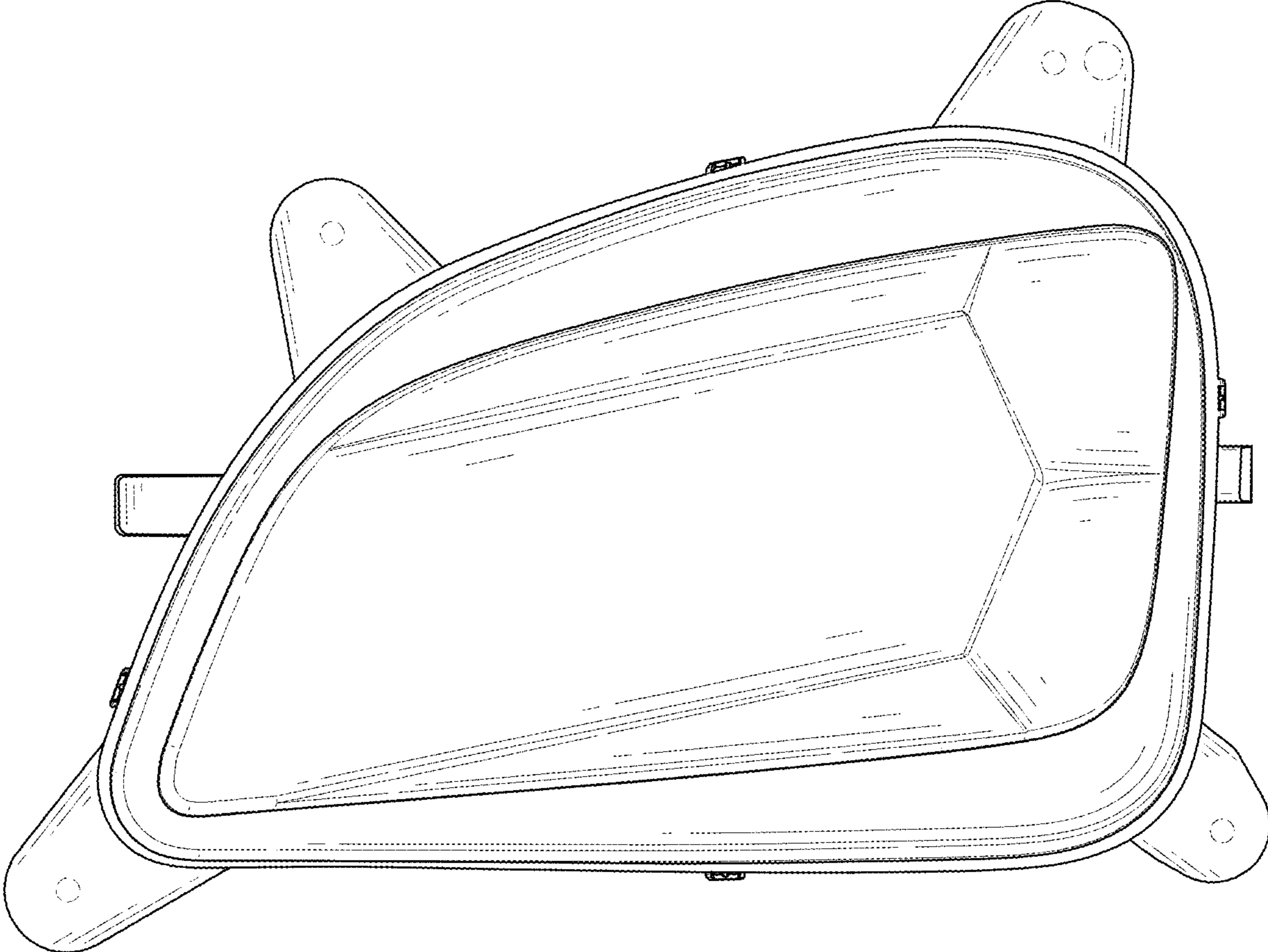


FIG.2

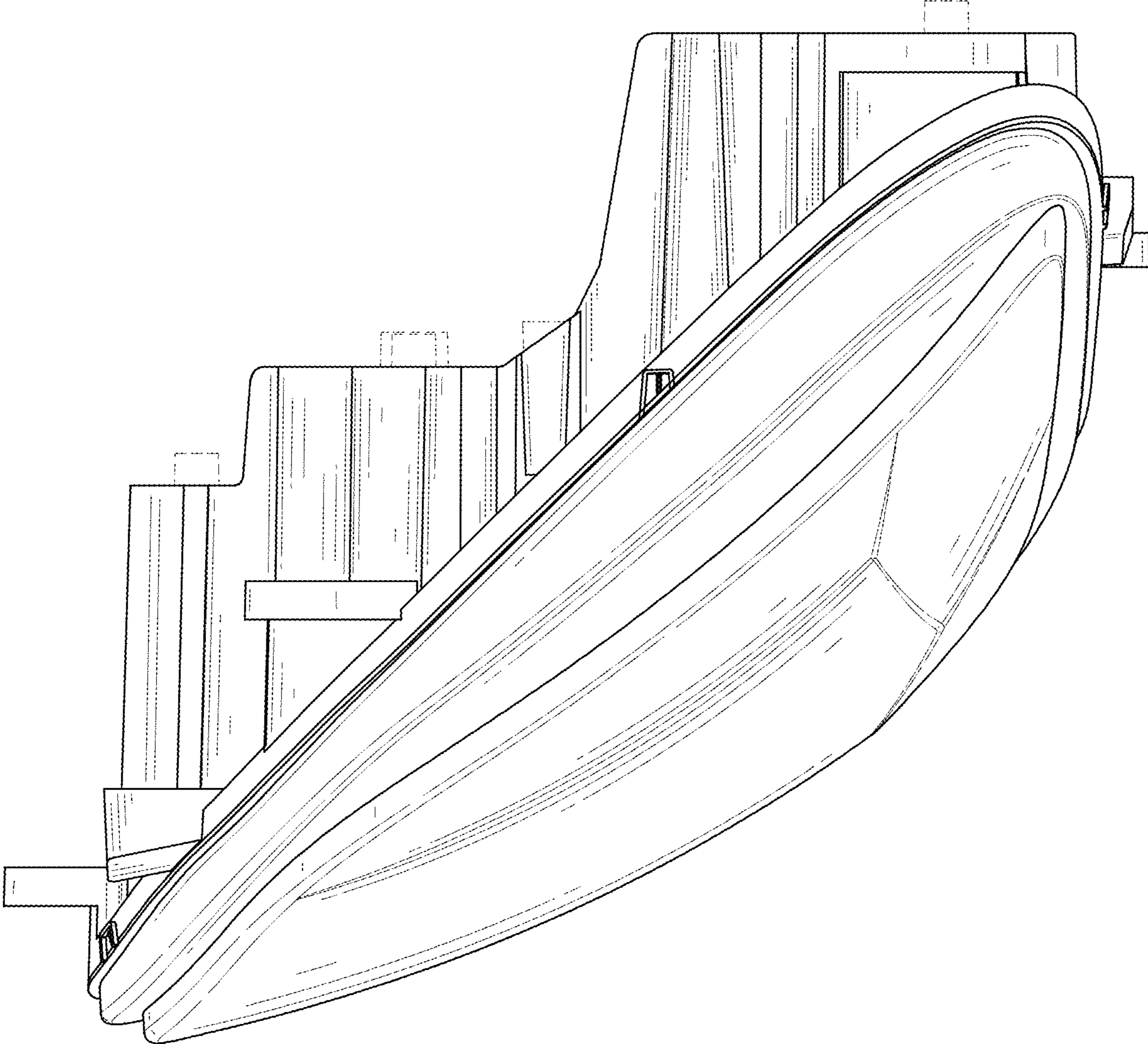


FIG.3

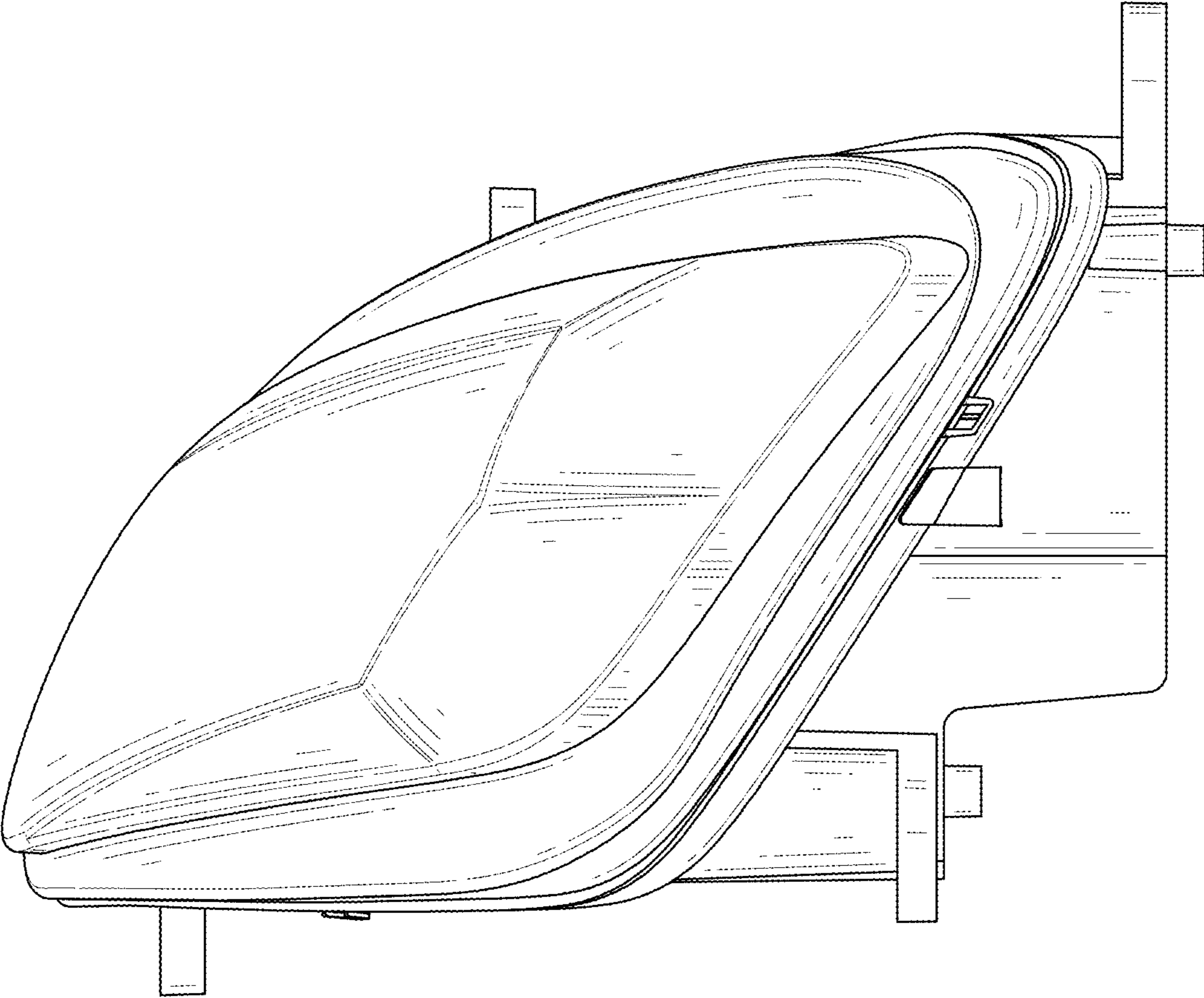


FIG.4

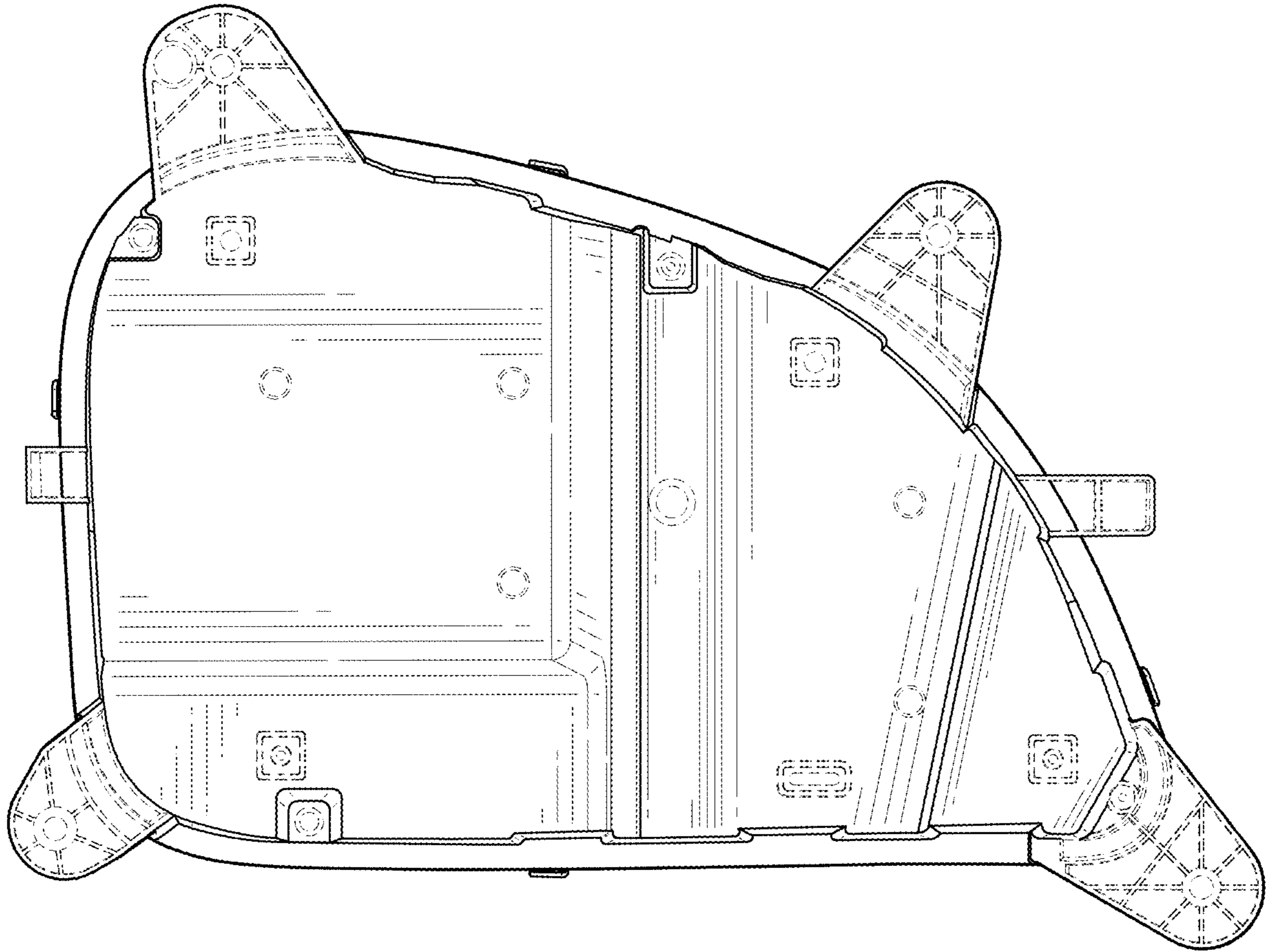


FIG.5

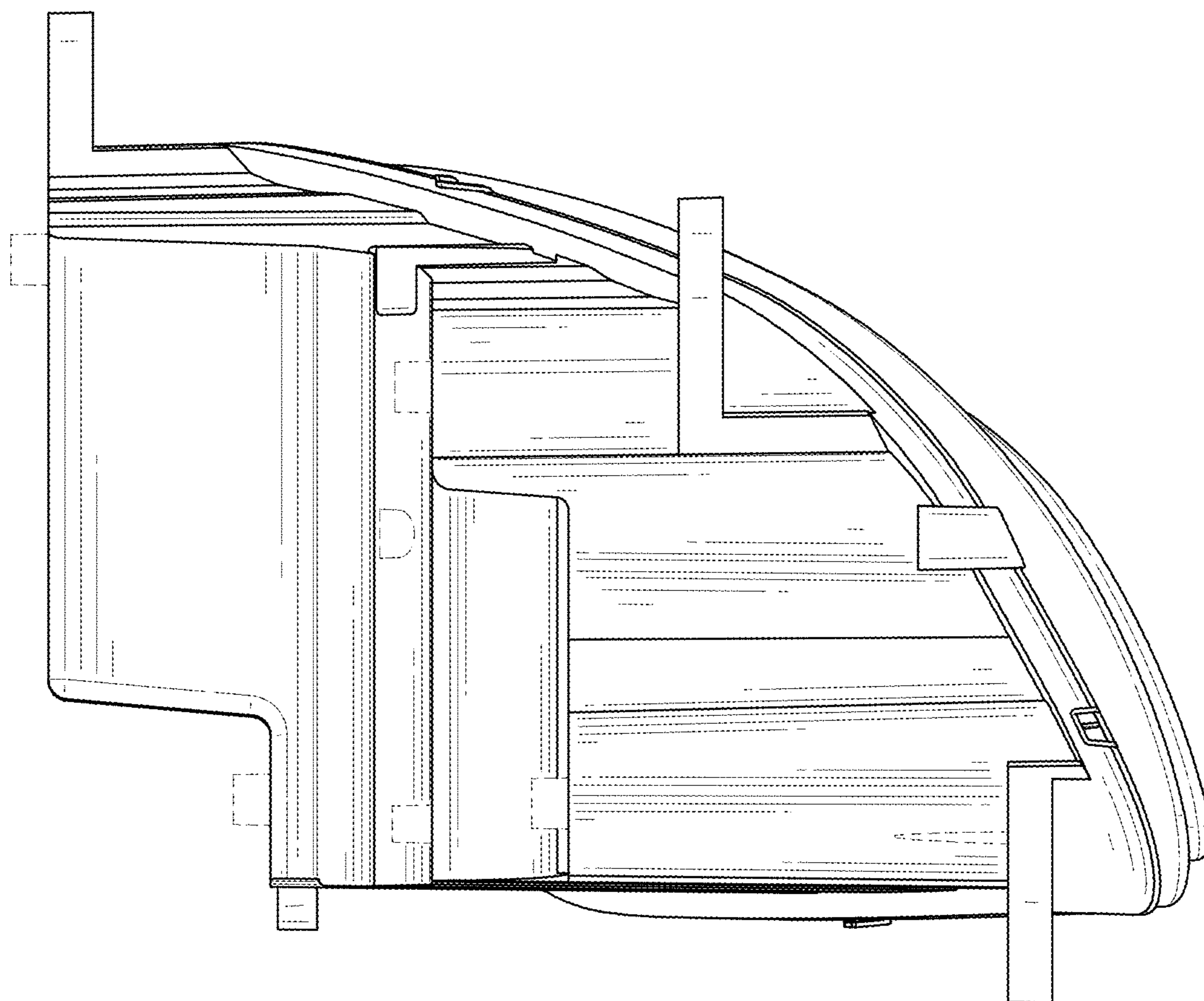


FIG.6

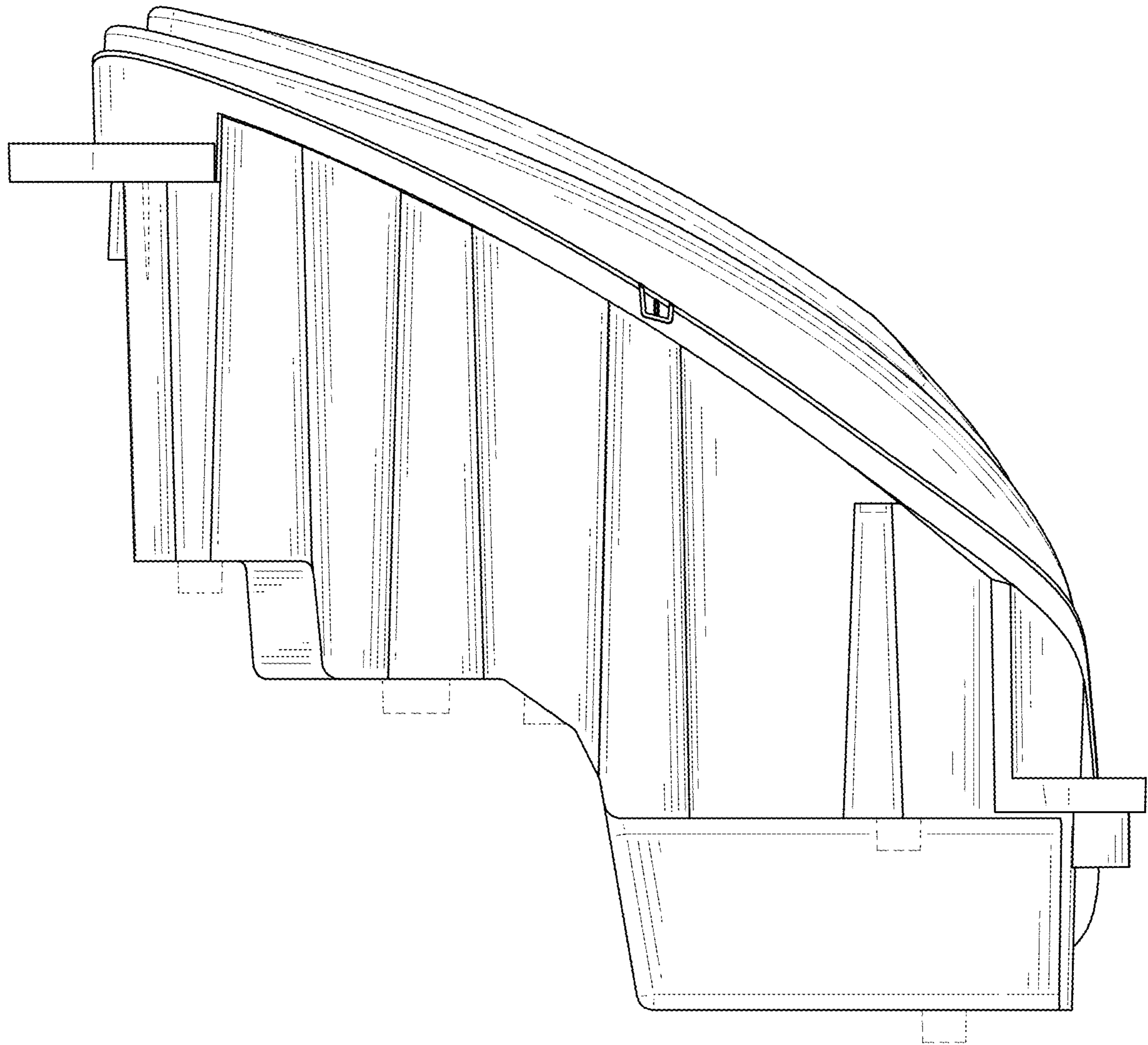


FIG.7

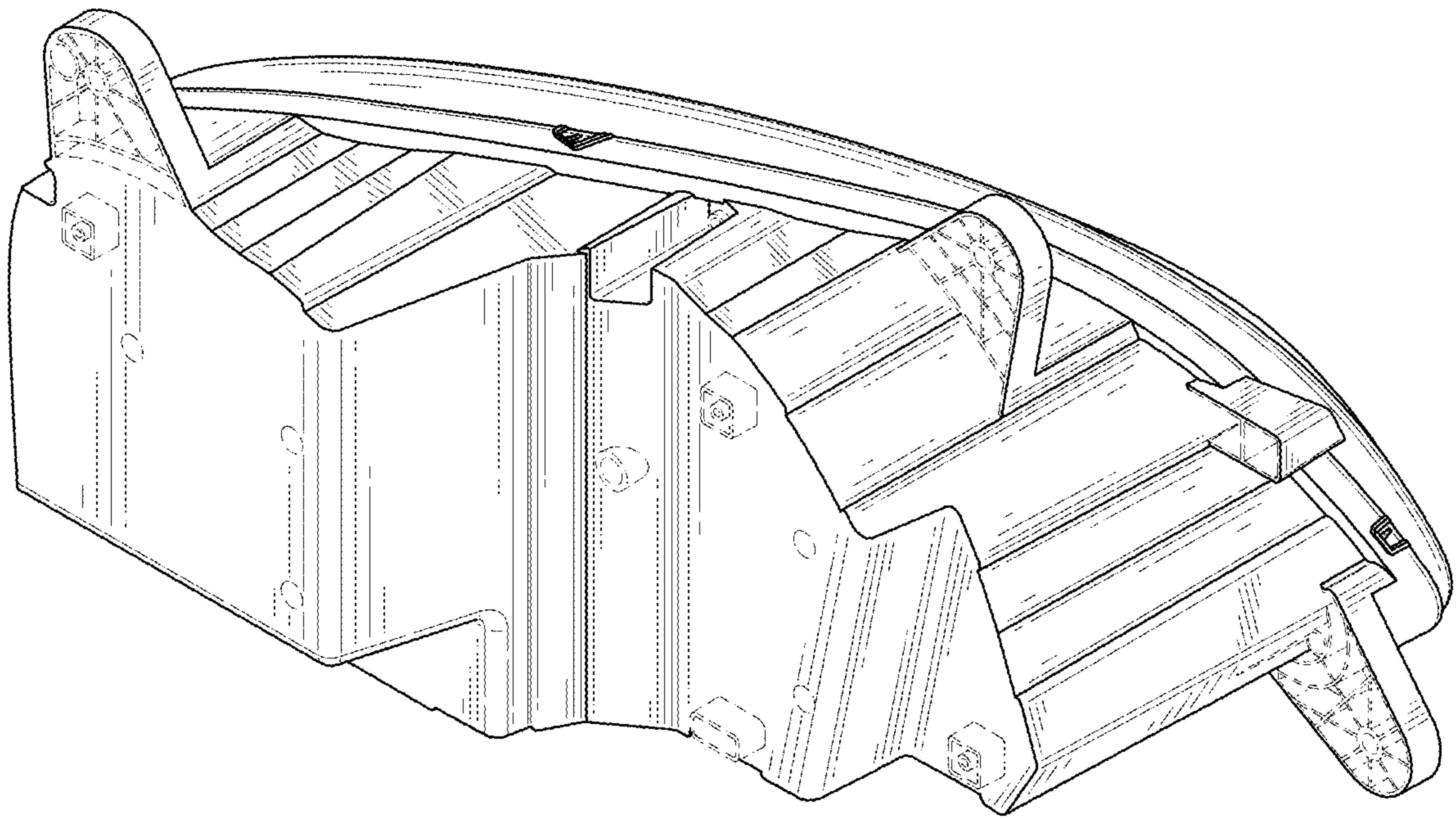


FIG.8

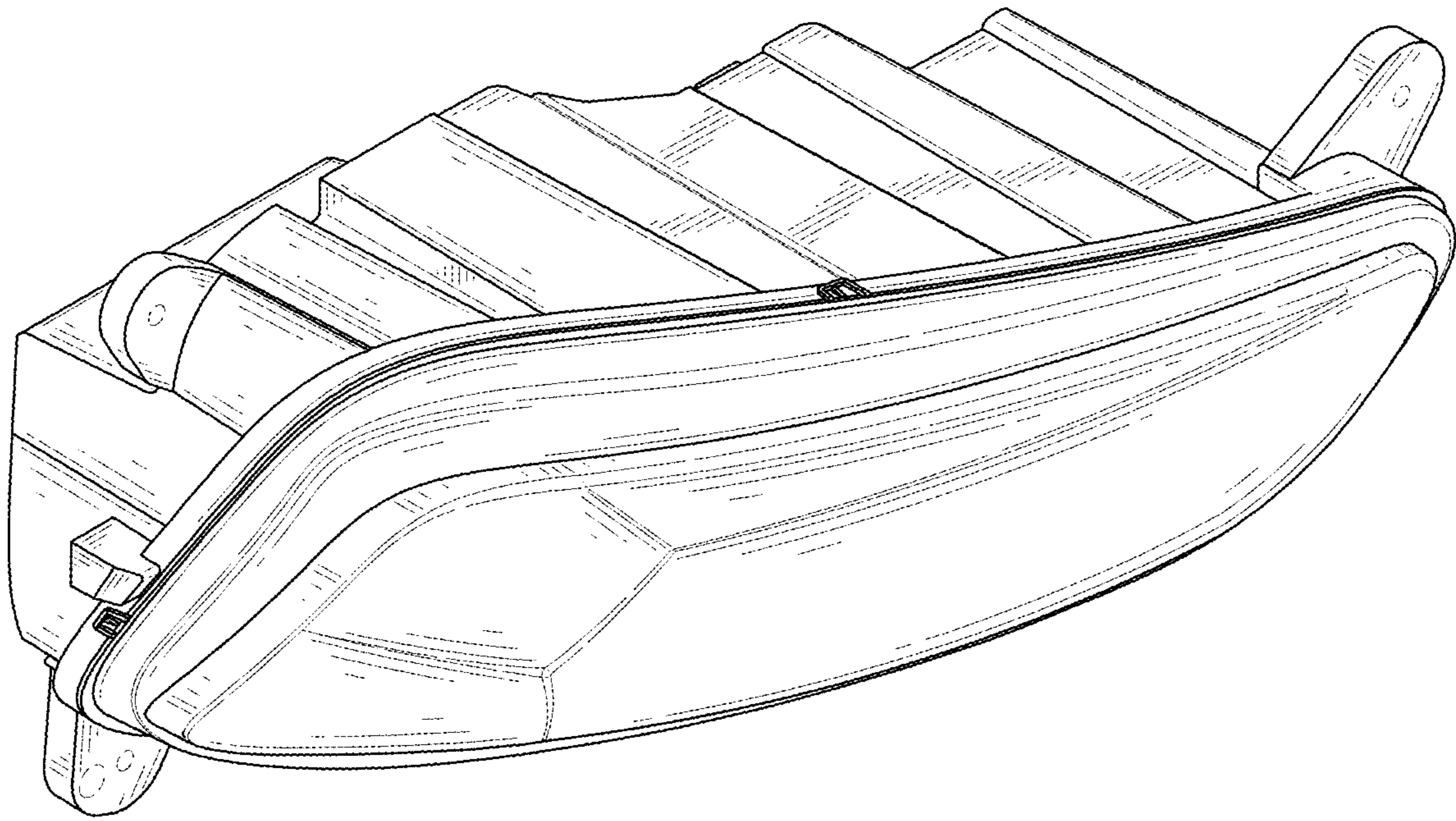


FIG.9