

US00D898958S

(12) **United States Design Patent**
Xiao

(10) **Patent No.:** **US D898,958 S**

(45) **Date of Patent:** **** Oct. 13, 2020**

(54) **UNDERWATER LIGHTING LAMP**

(71) Applicant: **Quan Xiao**, Sichuan (CN)

(72) Inventor: **Quan Xiao**, Sichuan (CN)

(**) Term: **15 Years**

(21) Appl. No.: **29/678,580**

(22) Filed: **Jan. 30, 2019**

(51) **LOC (12) Cl.** **26-03**

(52) **U.S. Cl.**
USPC **D26/24**

(58) **Field of Classification Search**
USPC D26/24, 37, 72, 104, 110, 113
CPC F21S 8/03; F21S 8/033; F21S 8/04; F21S
8/06; F21S 8/061; F21S 8/063; F21W
2131/301; F21V 21/08; F21V 21/0808;
F21V 21/096; F21V 21/0965
See application file for complete search history.

(56) **References Cited**

U.S. PATENT DOCUMENTS

D544,618 S * 6/2007 Coushaine D26/37
D561,925 S * 2/2008 Levine D26/72

D607,600 S * 1/2010 Keith D26/104
D633,231 S * 2/2011 Morrison D26/24
D642,722 S * 8/2011 Oberpriller D26/72
D831,268 S * 10/2018 Johnson D26/113

* cited by examiner

Primary Examiner — Brian N. Vinson

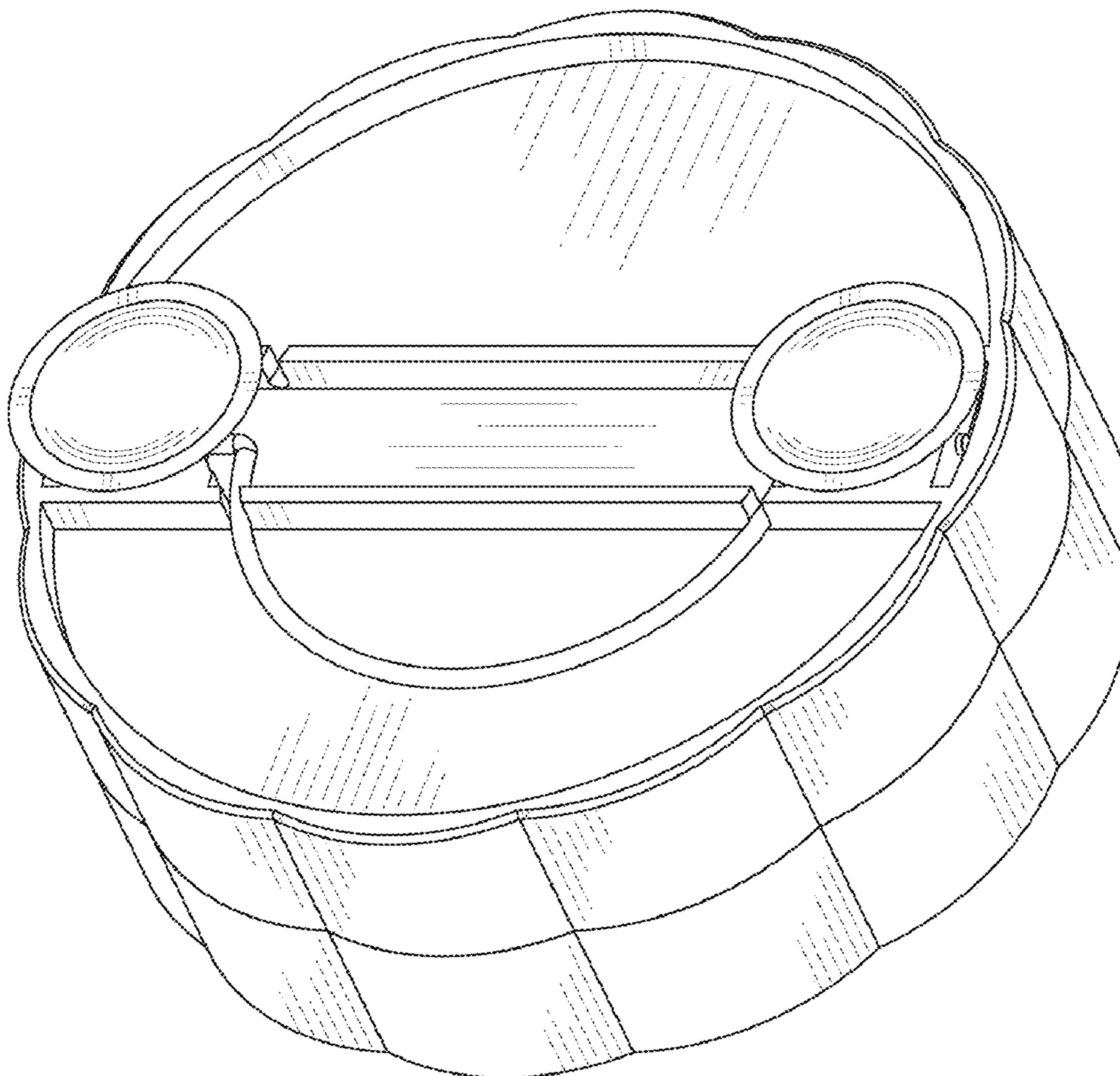
(57) **CLAIM**

I claim the ornamental design for the underwater lighting lamp, as shown and described.

DESCRIPTION

FIG. 1 is a perspective view of an underwater lighting lamp showing my new design;
FIG. 2 is a front elevational view thereof;
FIG. 3 is a rear elevational view thereof;
FIG. 4 is a left side elevational view thereof;
FIG. 5 is a right side elevational view thereof;
FIG. 6 is a top plan view thereof; and,
FIG. 7 is a bottom plan view thereof.

1 Claim, 7 Drawing Sheets



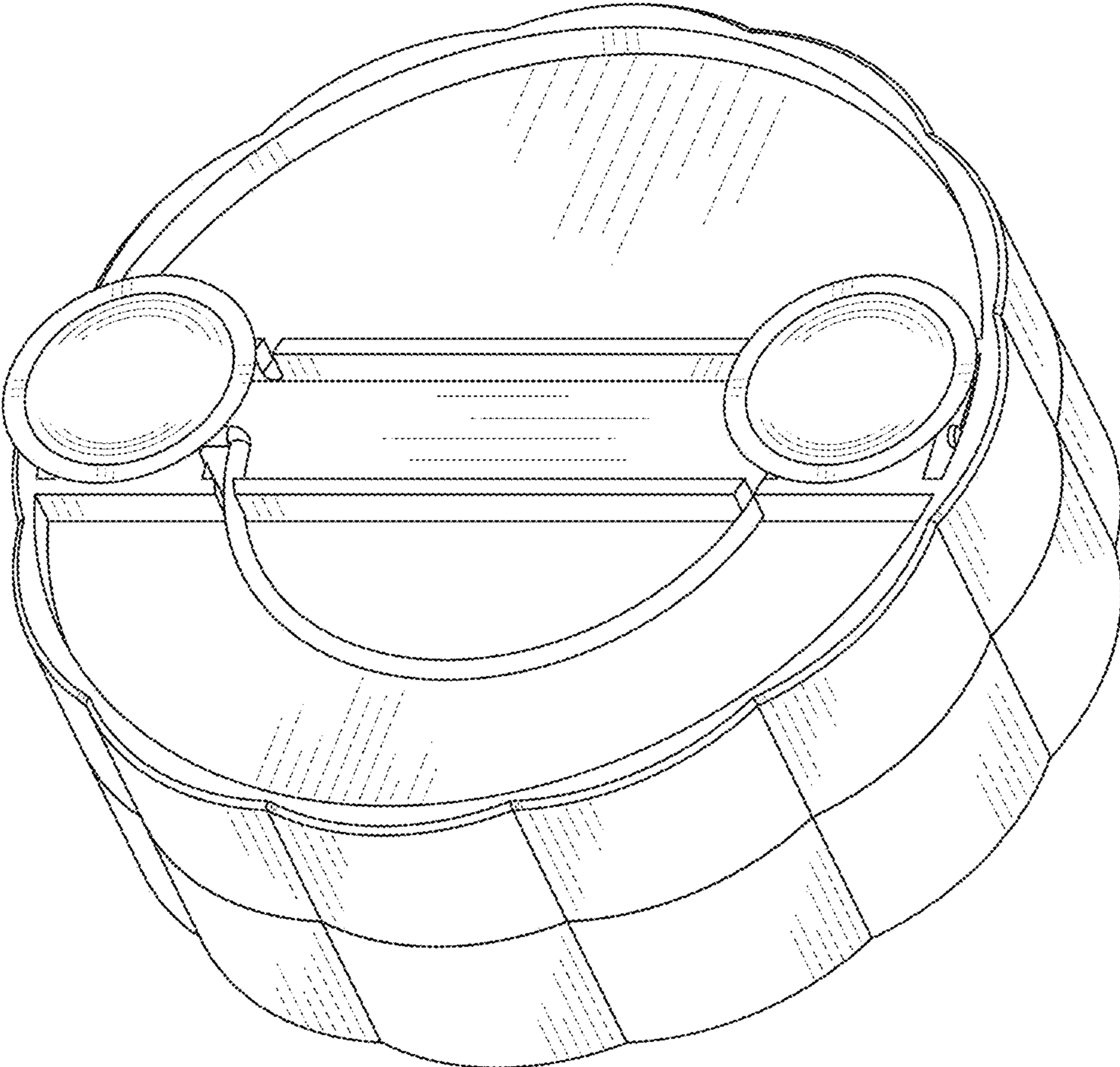


FIG.1

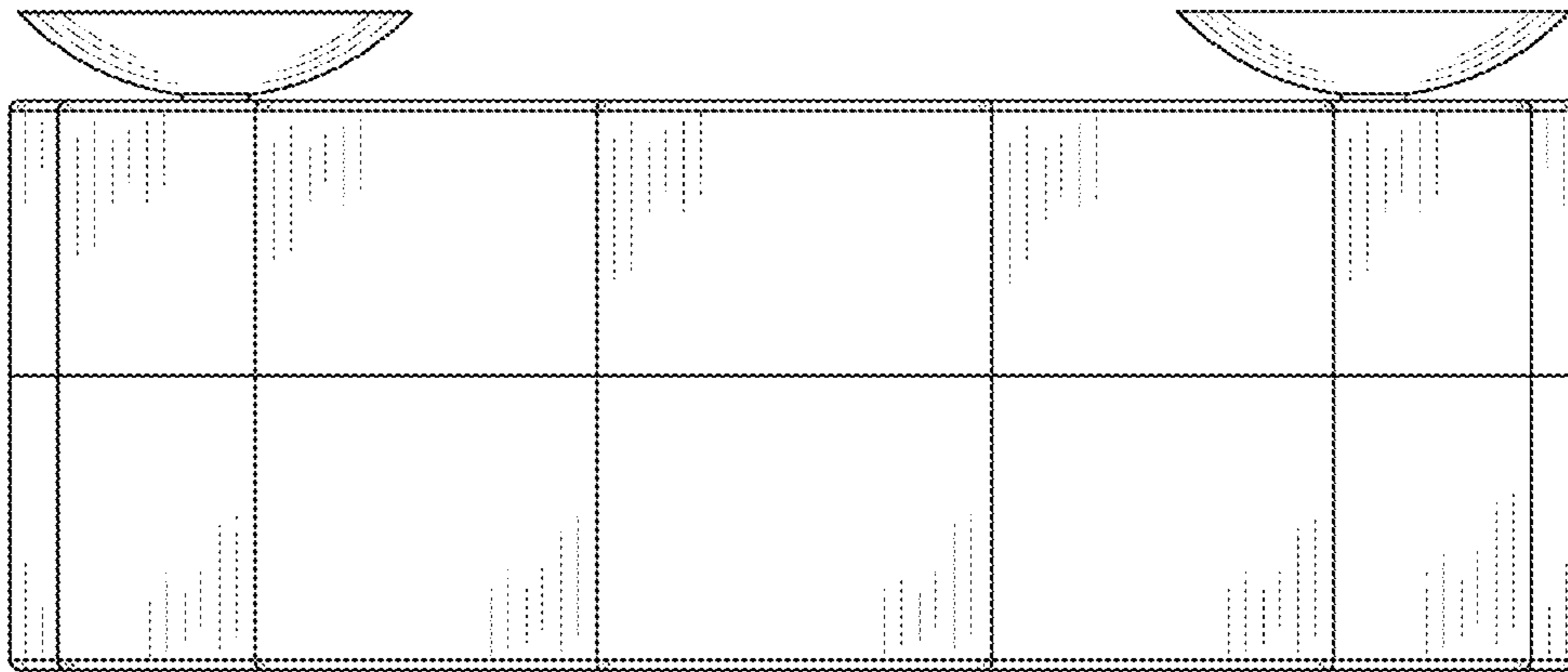


FIG. 2

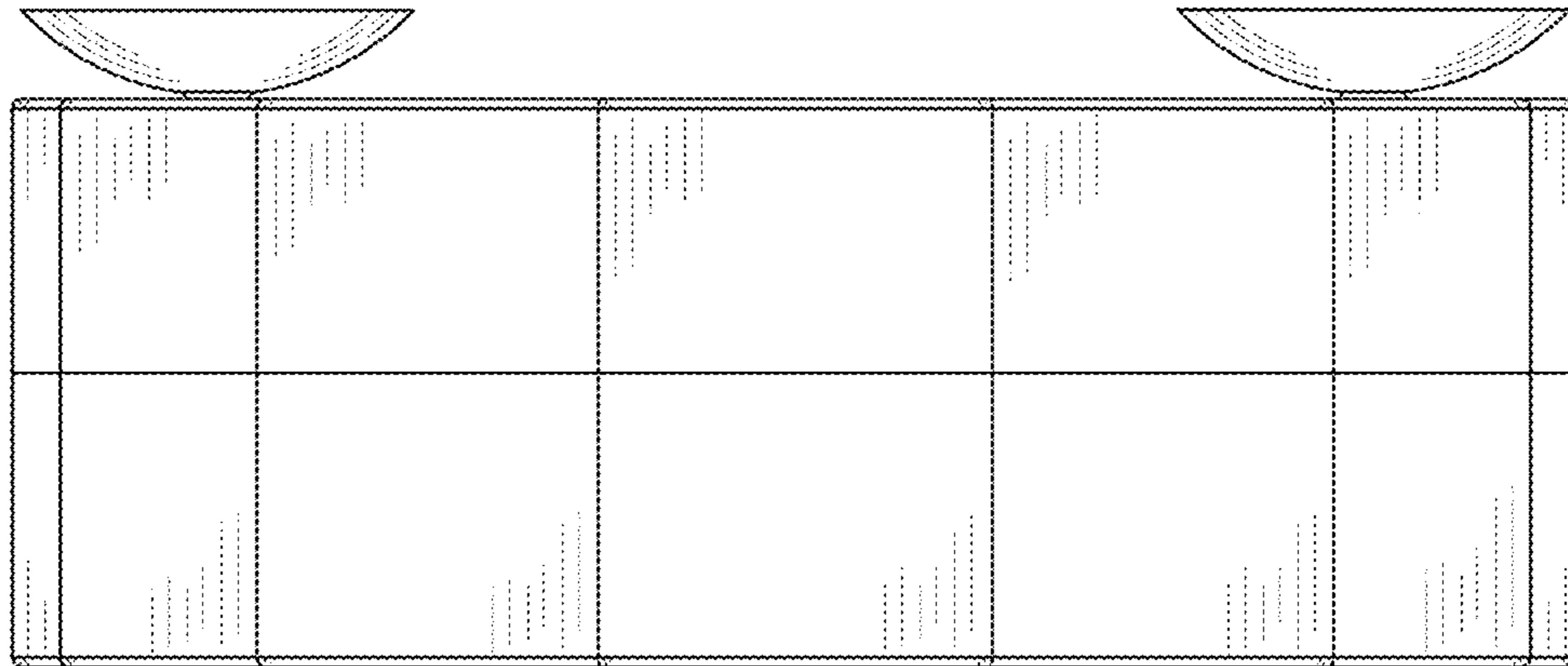


FIG.3

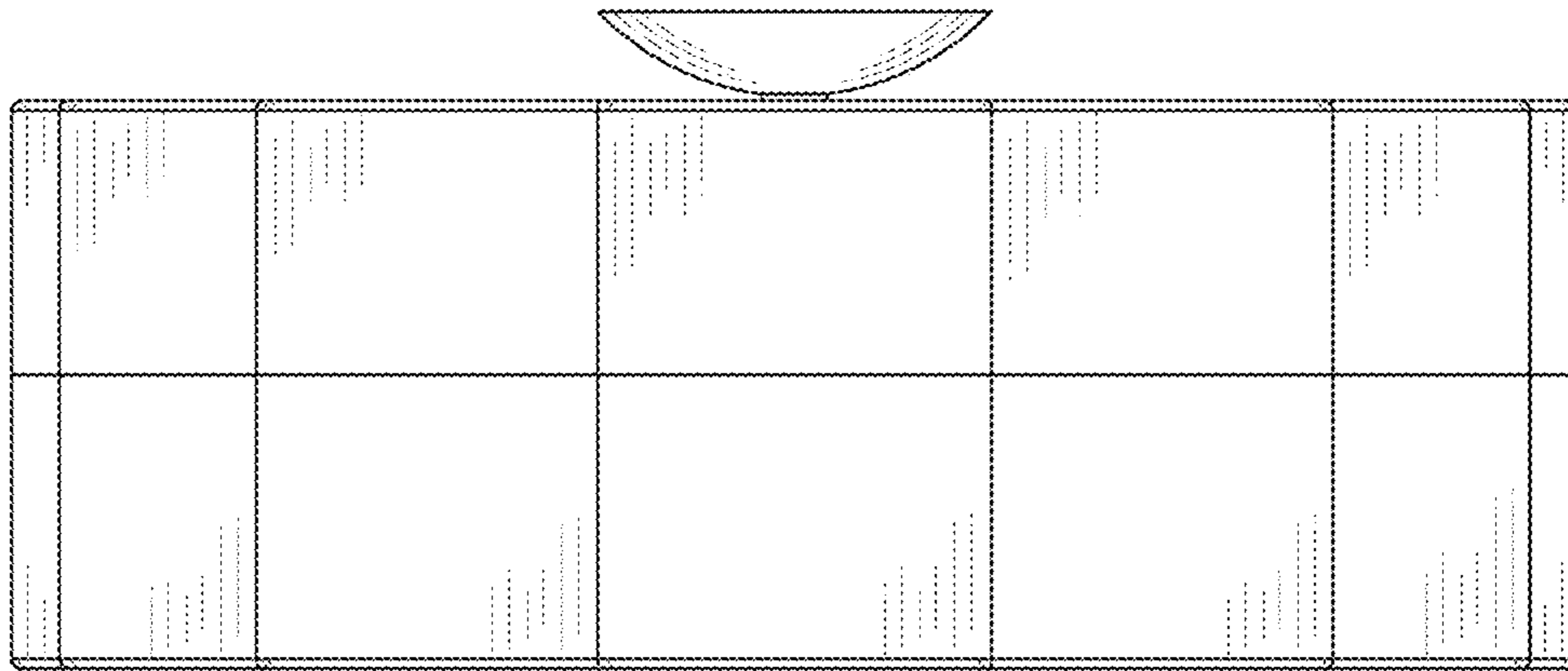


FIG.4

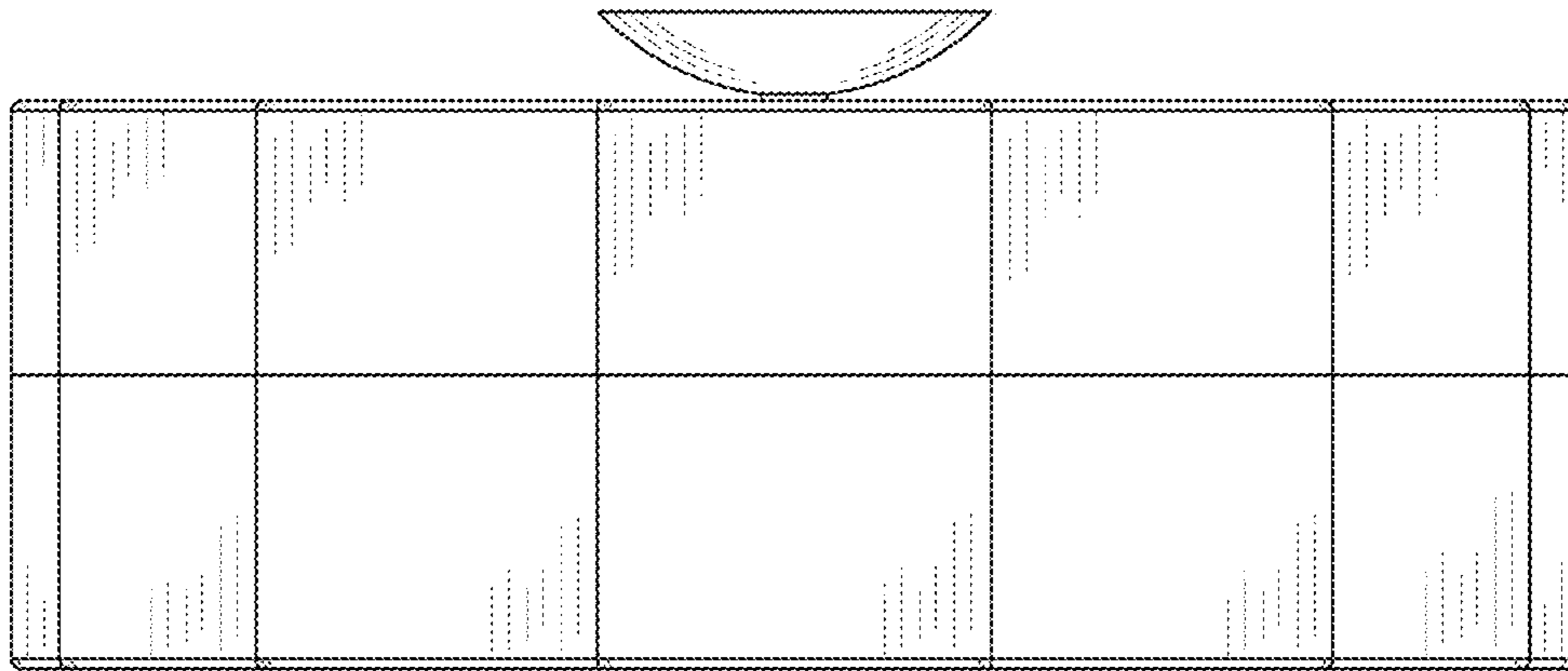


FIG.5

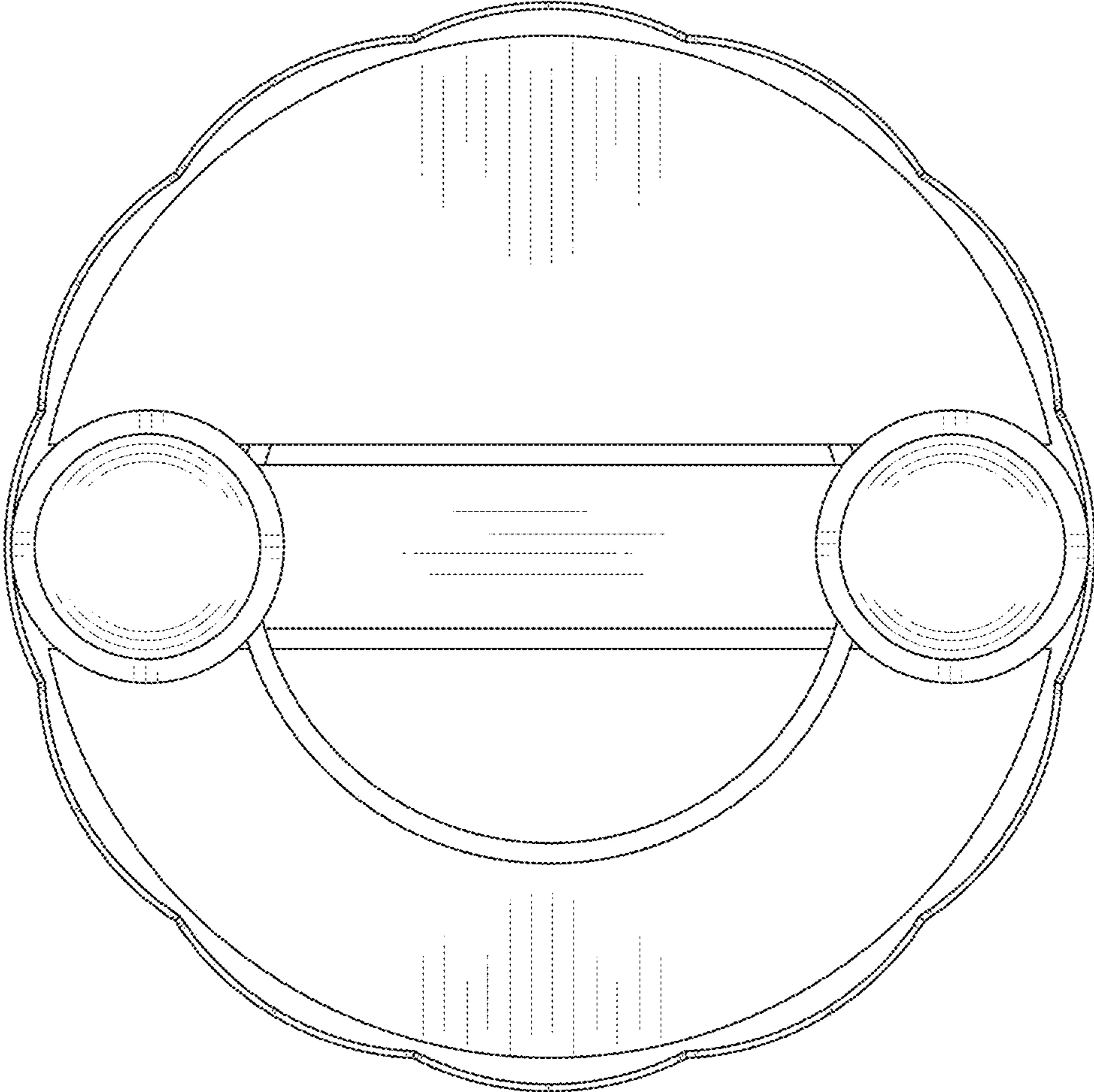


FIG.6

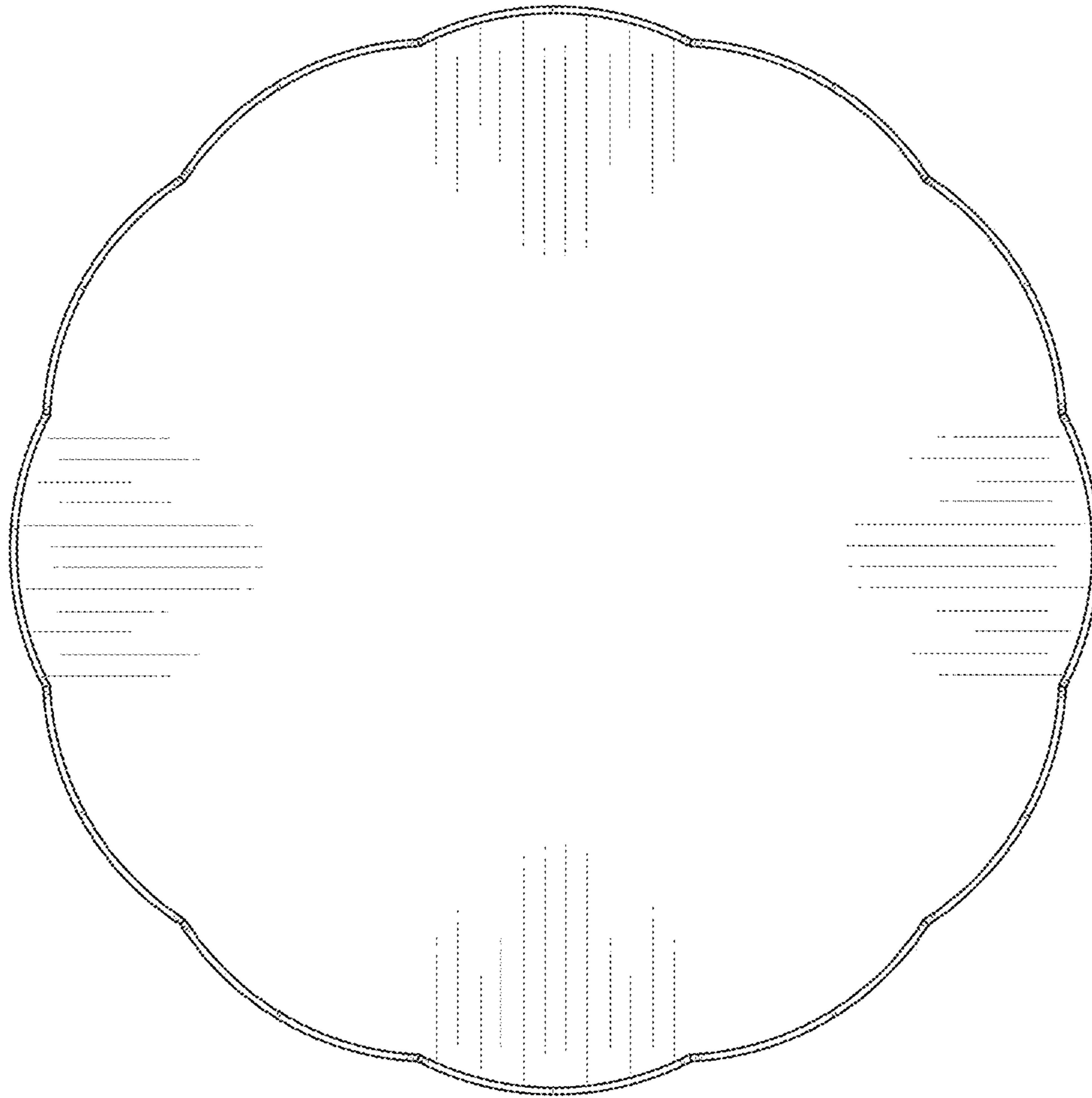


FIG.7