



US00D898957S

(12) **United States Design Patent**  
**Sætter-Lassen et al.**

(10) **Patent No.:** **US D898,957 S**  
(45) **Date of Patent:** **\*\* Oct. 13, 2020**

(54) **CANDLE HOLDER**  
(71) Applicant: **MENU A/S**, Nordhavn (DK)  
(72) Inventors: **Mads Sætter-Lassen**, Copenhagen K (DK); **Emil Krøyer**, Copenhagen N (DK)  
(\*\*) Term: **15 Years**  
(21) Appl. No.: **35/507,692**  
(22) Filed: **Jun. 13, 2019**  
(80) **Hague Agreement Data**  
Int. Filing Date: **Jun. 13, 2019**  
Int. Reg. No.: **DM/203804**  
Int. Reg. Date: **Jun. 13, 2019**  
Int. Reg. Pub. Date: **Nov. 8, 2019**

D261,116 S \* 10/1981 Repak ..... D10/113.2  
D267,981 S \* 2/1983 Montague, Jr. .... D26/96  
D299,556 S \* 1/1989 Marshbanks ..... D26/96  
D324,186 S \* 2/1992 DeFazio ..... D26/104  
D410,560 S \* 6/1999 Bezborodko ..... D26/110  
D413,399 S \* 8/1999 Robinson ..... D26/9  
D413,999 S \* 9/1999 Diaz-Azcuy ..... D26/110  
D432,258 S \* 10/2000 Fussell ..... D26/96  
D522,150 S \* 5/2006 Belcher ..... D26/9  
D589,205 S \* 3/2009 Sabernig ..... D26/104  
D625,852 S \* 10/2010 Franklin ..... D26/22  
D710,039 S \* 7/2014 Schwenk ..... D26/9  
D740,462 S \* 10/2015 Schwenk ..... D26/9  
D757,335 S \* 5/2016 Li ..... D26/96  
D793,614 S \* 8/2017 Patton ..... D26/96  
D886,359 S \* 6/2020 Zhang ..... D26/96

\* cited by examiner

*Primary Examiner* — Natasha Vujcic

(51) **LOC (12) Cl.** ..... **26-01**  
(52) **U.S. Cl.**  
USPC ..... **D26/22**  
(58) **Field of Classification Search**  
USPC ..... D26/22, 61–63, 90, 93, 104, 111, 113,  
D26/138–142, 152  
CPC ..... F21S 2/00; F21S 4/00; F21S 4/003; F21S  
4/005; F21S 4/006; F21S 4/007; F21S  
4/008; F21S 6/00; F21S 8/00; F21S  
8/024; F21S 8/026; F21S 8/031; F21S  
8/033; F21S 8/035–037; F21S 8/04; F21S  
8/043; F21S 8/063  
See application file for complete search history.

(57) **CLAIM**

The ornamental design for a candle holder, as shown and described.

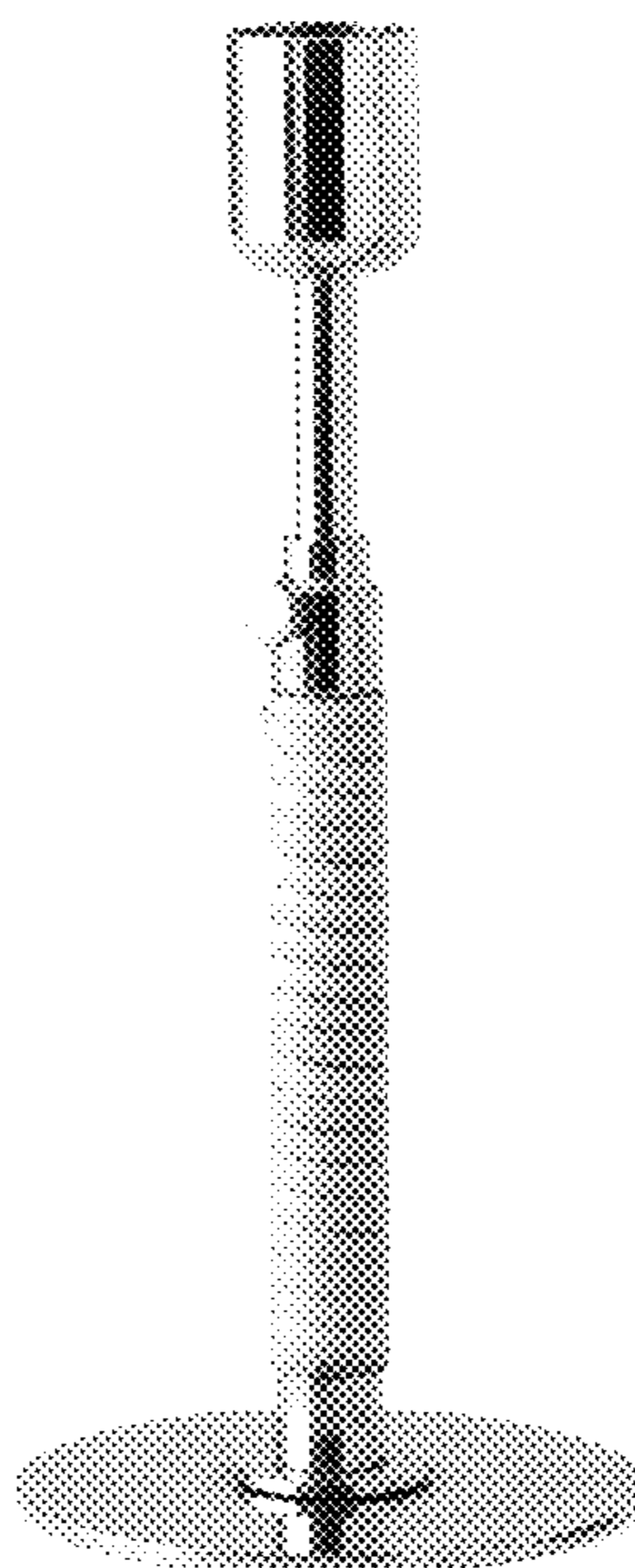
**DESCRIPTION**

- 1. Candle holder
- 1.1 is a front perspective view
- 1.2 is a top perspective view.
- 1.3 is a front view.
- 1.4 is a bottom perspective view.
- 1.5 is another front view.
- 1.6 is another front view.
- 1.7 is another front view.

(56) **References Cited**  
U.S. PATENT DOCUMENTS

D204,899 S \* 5/1966 Curry ..... D26/105  
D253,795 S \* 12/1979 Hilgeman ..... D26/22

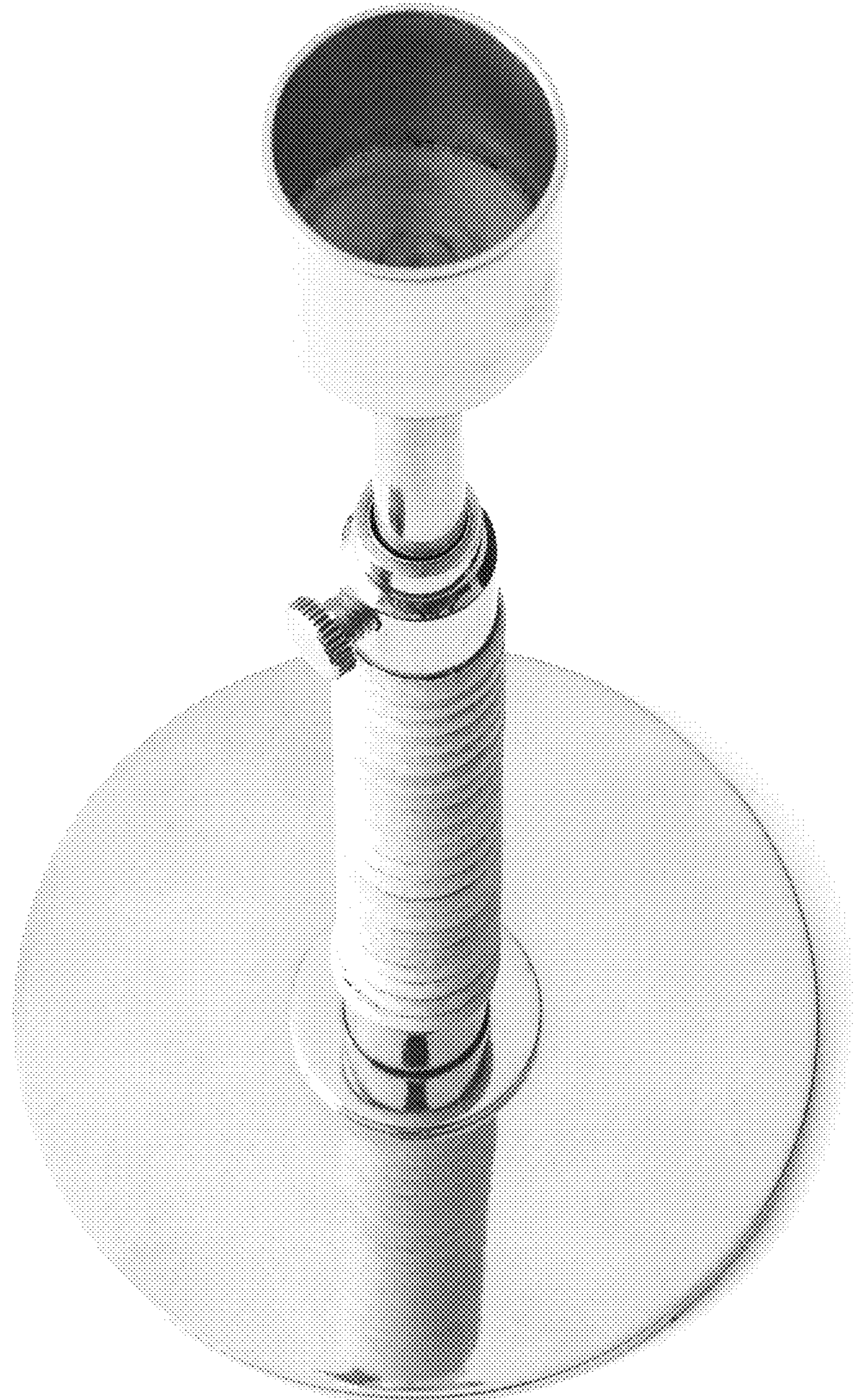
**1 Claim, 7 Drawing Sheets**



1.1



1.2



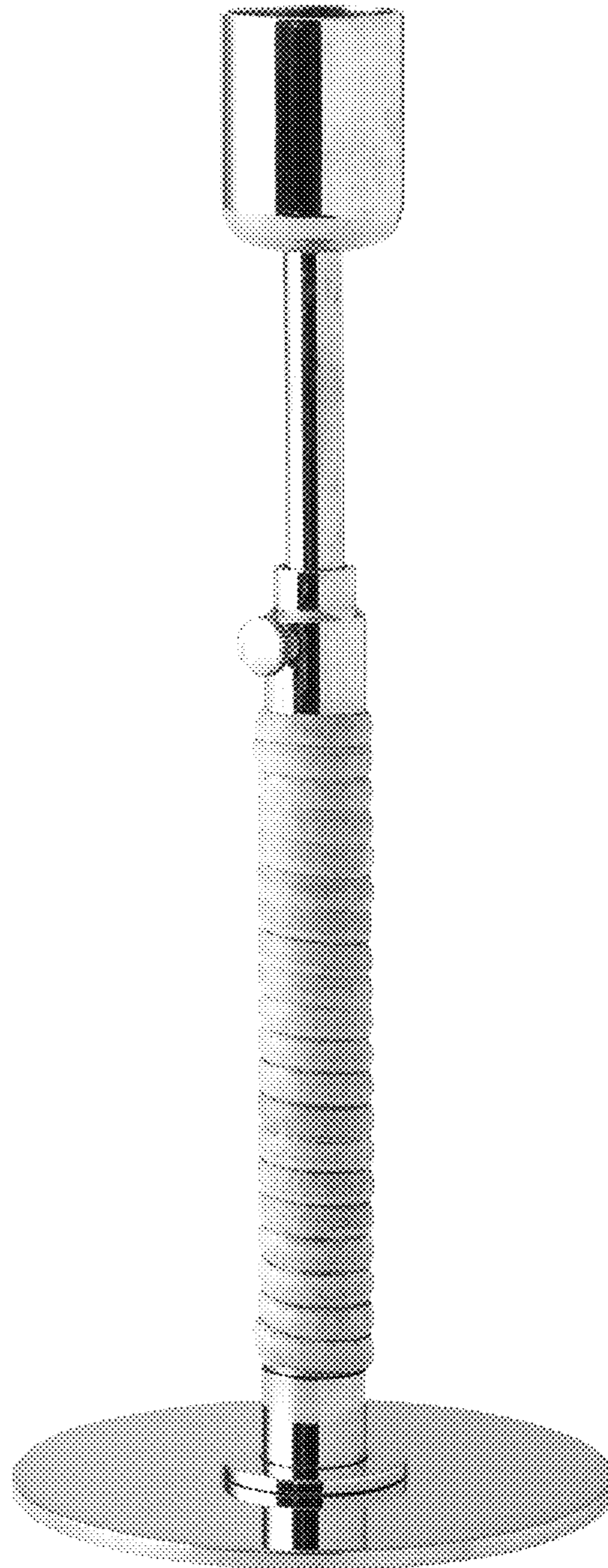
1.3



1.4



1.5



1.6



1.7

