



US00D898954S

(12) **United States Design Patent**
Huang

(10) **Patent No.:** **US D898,954 S**
(45) **Date of Patent:** **** Oct. 13, 2020**

(54) **NONSKID PAD**

(71) Applicant: **Jibin Huang**, Zhejiang (CN)

(72) Inventor: **Jibin Huang**, Zhejiang (CN)

(73) Assignee: **Ningbo Yinshuo Plastic Co., Ltd.**,
Ningbo, Zhejiang (CN)

(**) Term: **15 Years**

(21) Appl. No.: **29/685,169**

(22) Filed: **Mar. 27, 2019**

(51) **LOC (12) Cl.** **06-11**

(52) **U.S. Cl.**
USPC **D25/163**; D6/582

(58) **Field of Classification Search**
USPC D6/582-589, 591, 592, 609, 613, 614;
D12/203, 608; D19/9, 10, 37, 113;
D21/686, 780; D23/261, 310, 361;
D25/138, 156, 157, 163; D30/161;
D32/57
CPC A47G 27/02; A47G 27/0206; A47G
27/0212; A47G 27/0218; A47G 27/0225;
A47G 27/0231; A47G 27/0237; A47G
27/0275; A47G 27/0293; A47G 9/062;
A47K 3/002; A63B 21/4037; A63B 6/00;
E04F 2201/095; E04F 19/10; A47L
23/26; A47L 23/266
See application file for complete search history.

D570,503 S * 6/2008 Leier D25/156
7,607,265 B2 * 10/2009 Curry A63C 19/12
52/181
D603,640 S * 11/2009 Thrush D6/582
D604,082 S * 11/2009 Thrush D6/582
D653,893 S * 2/2012 Huss B29C 39/003
D6/582
D675,751 S * 2/2013 Amend D25/138
D703,975 S * 5/2014 Huss D6/582
D720,437 S * 12/2014 Togawa D23/261
D740,591 S * 10/2015 Huss E01C 5/226
D6/592
9,487,923 B2 * 11/2016 Masanek, Jr. E01C 5/226
D849,970 S * 5/2019 Bach D25/156
D866,800 S * 11/2019 Runkles D25/138
2006/0029773 A1 * 2/2006 Waterman A47G 23/03
428/138
2011/0183102 A1 * 7/2011 Afolabi A47L 23/266
428/83
2019/0117040 A1 * 4/2019 Knight E04F 15/02038
2019/0186155 A1 * 6/2019 Huss A47G 27/0293

* cited by examiner

Primary Examiner — Kevin K Rudzinski
Assistant Examiner — Clare Ann Gannon

(57) **CLAIM**

The ornamental design for a nonskid pad, as shown and described.

DESCRIPTION

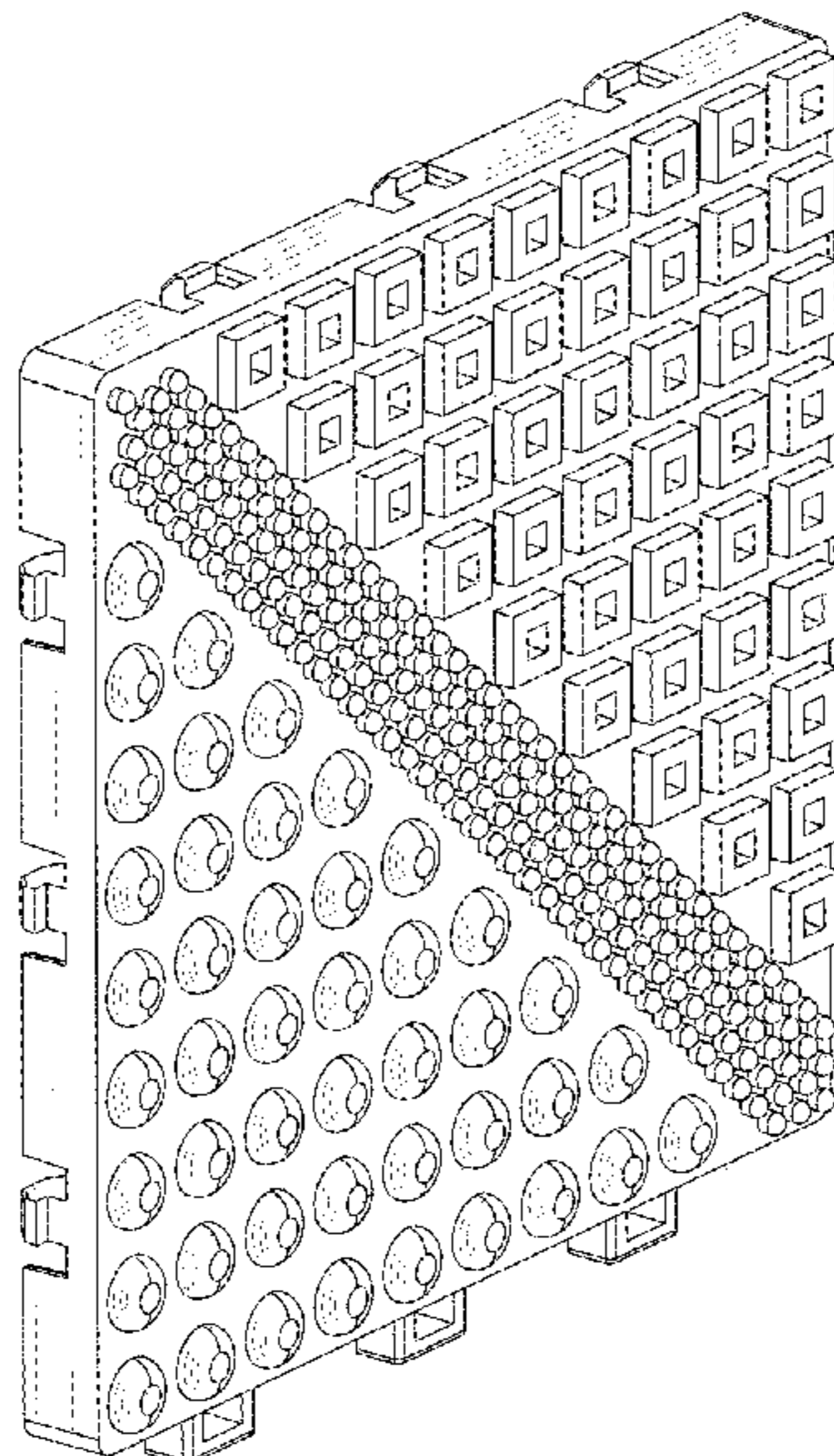
FIG. 1 is a top, front and left side perspective view of a nonskid pad showing my new design;
FIG. 2 is a bottom, rear and right side perspective view thereof;
FIG. 3 is a front elevation view thereof;
FIG. 4 is a rear elevation view thereof;
FIG. 5 is a left side elevation view thereof;
FIG. 6 is a right side elevation view thereof;
FIG. 7 is a top plan view thereof; and,
FIG. 8 is a bottom plan view thereof.

1 Claim, 8 Drawing Sheets

(56) **References Cited**

U.S. PATENT DOCUMENTS

3,041,221 A * 6/1962 Judson A47G 27/0212
428/166
D239,245 S * 3/1976 Fletcher D32/57
D348,131 S * 6/1994 Bozzo D32/55
D462,130 S * 8/2002 Kotler D25/138
D522,067 S * 5/2006 Allen D21/321



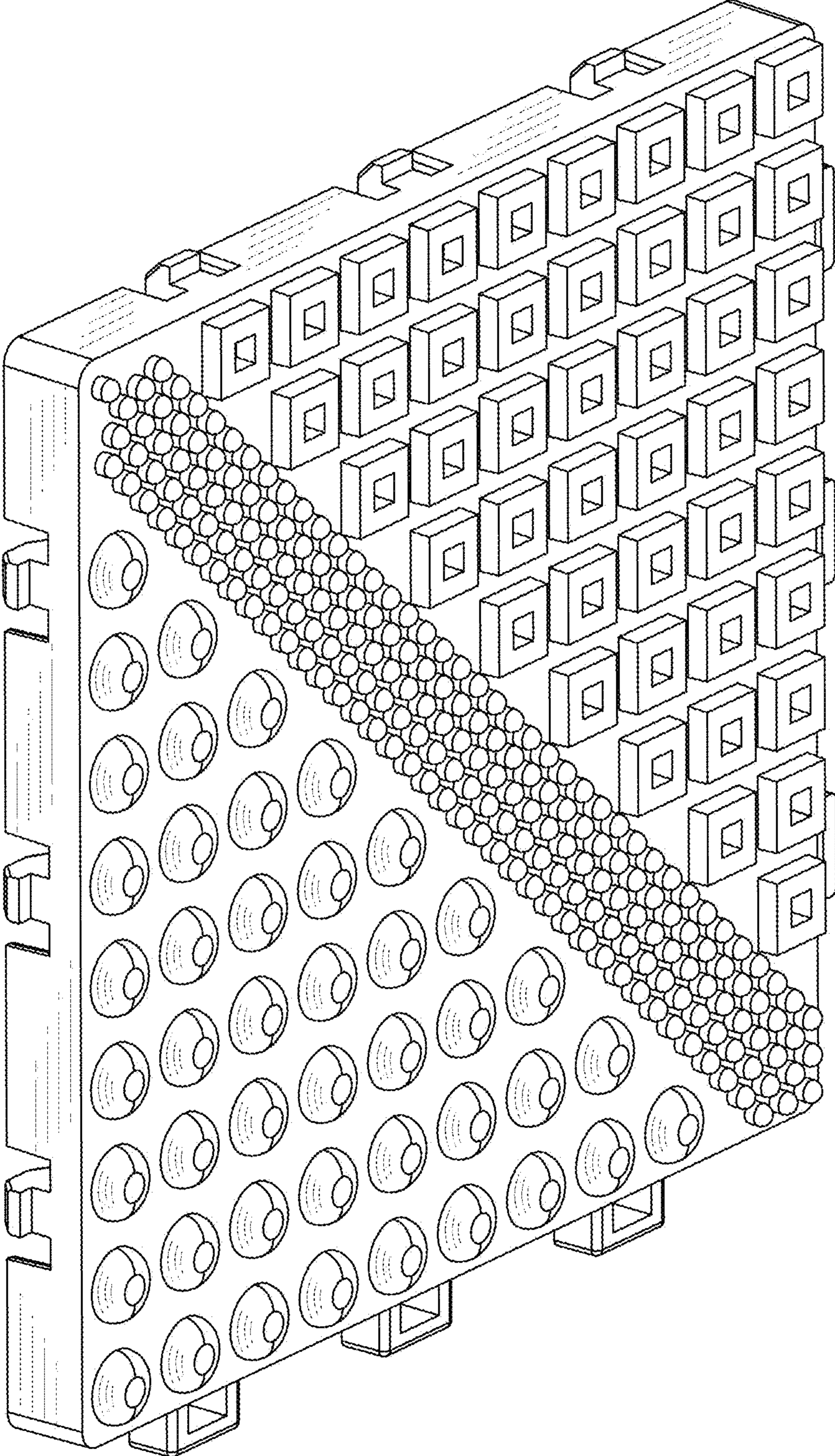


FIG.1

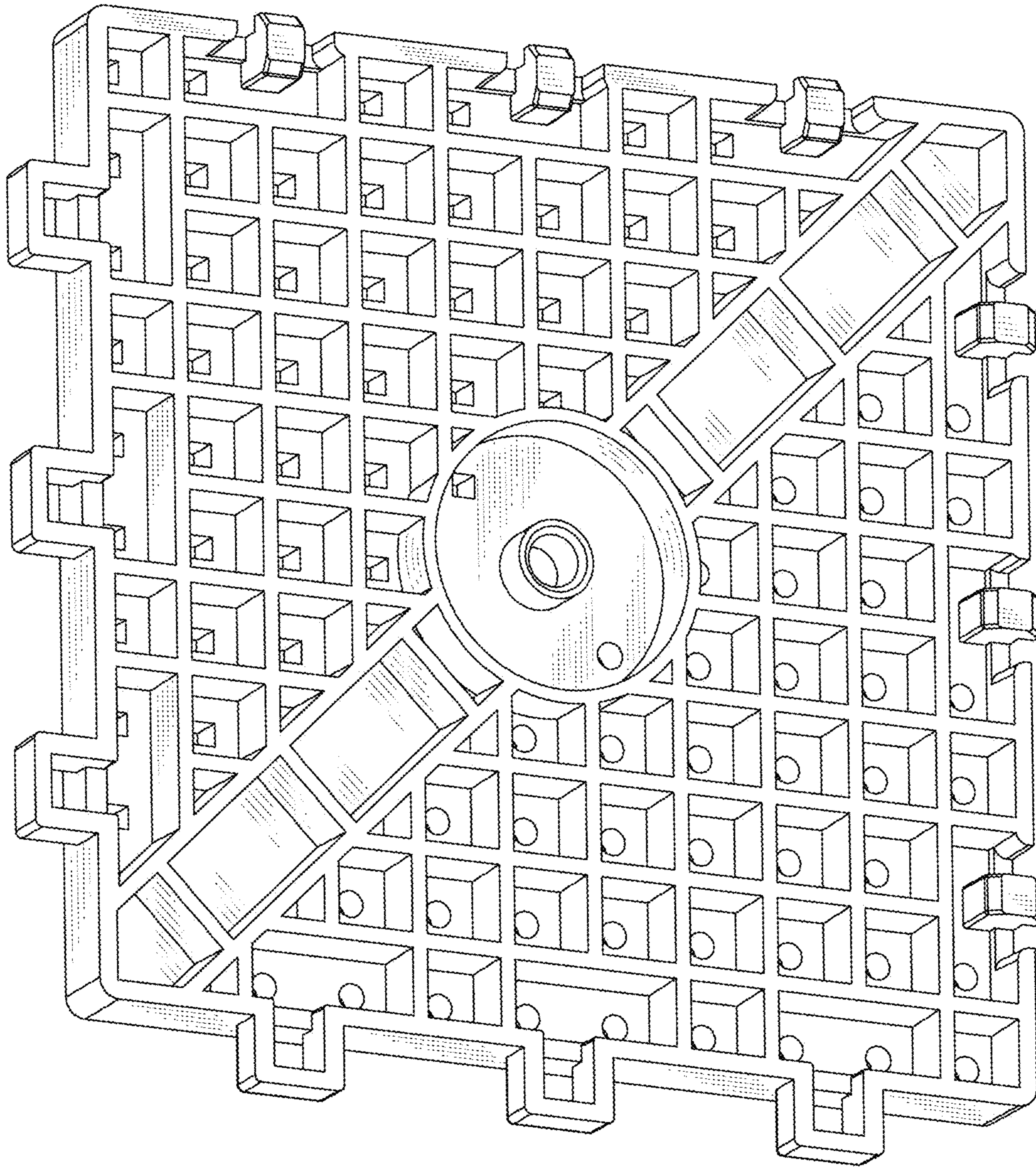


FIG.2

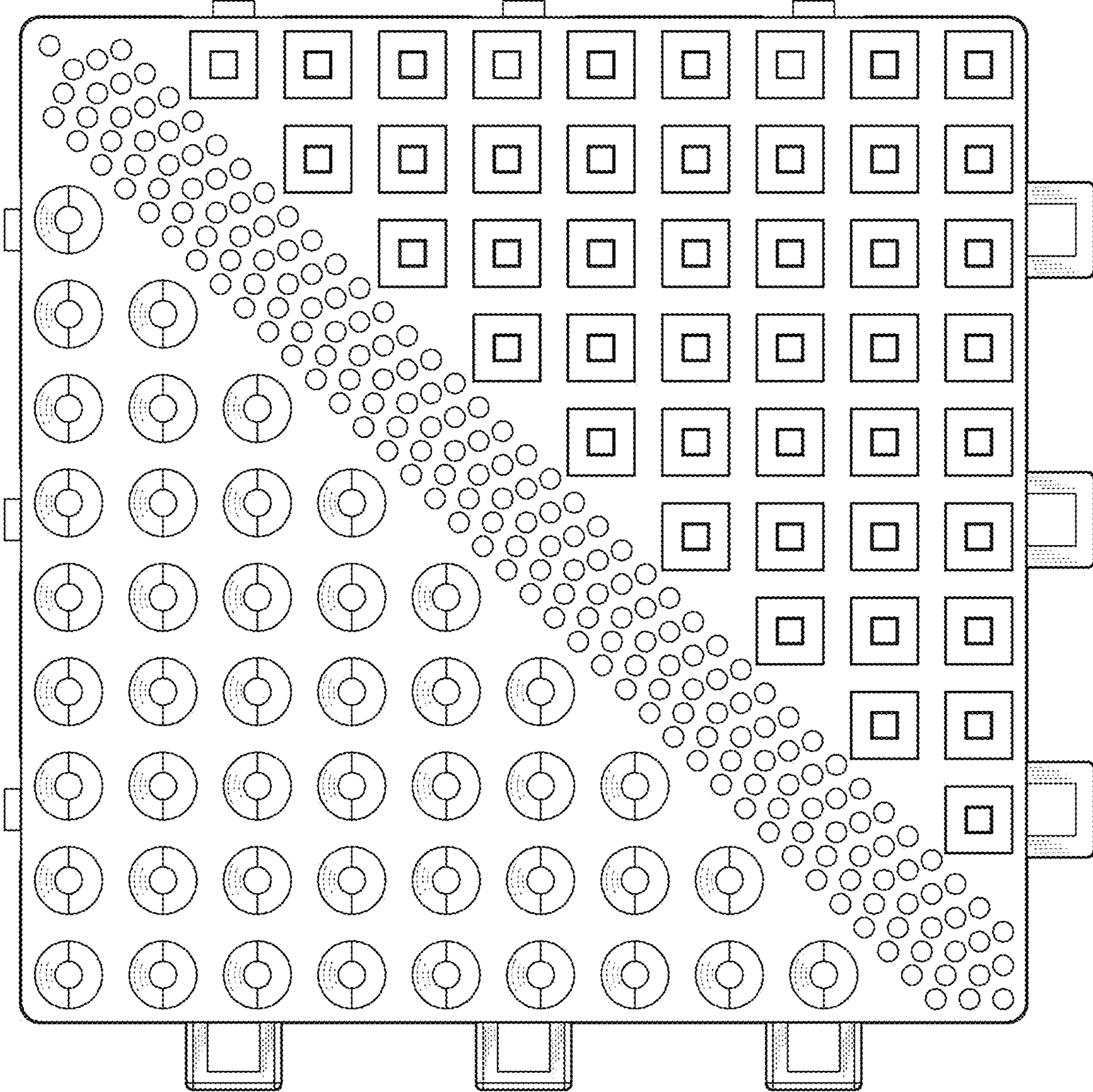


FIG.3

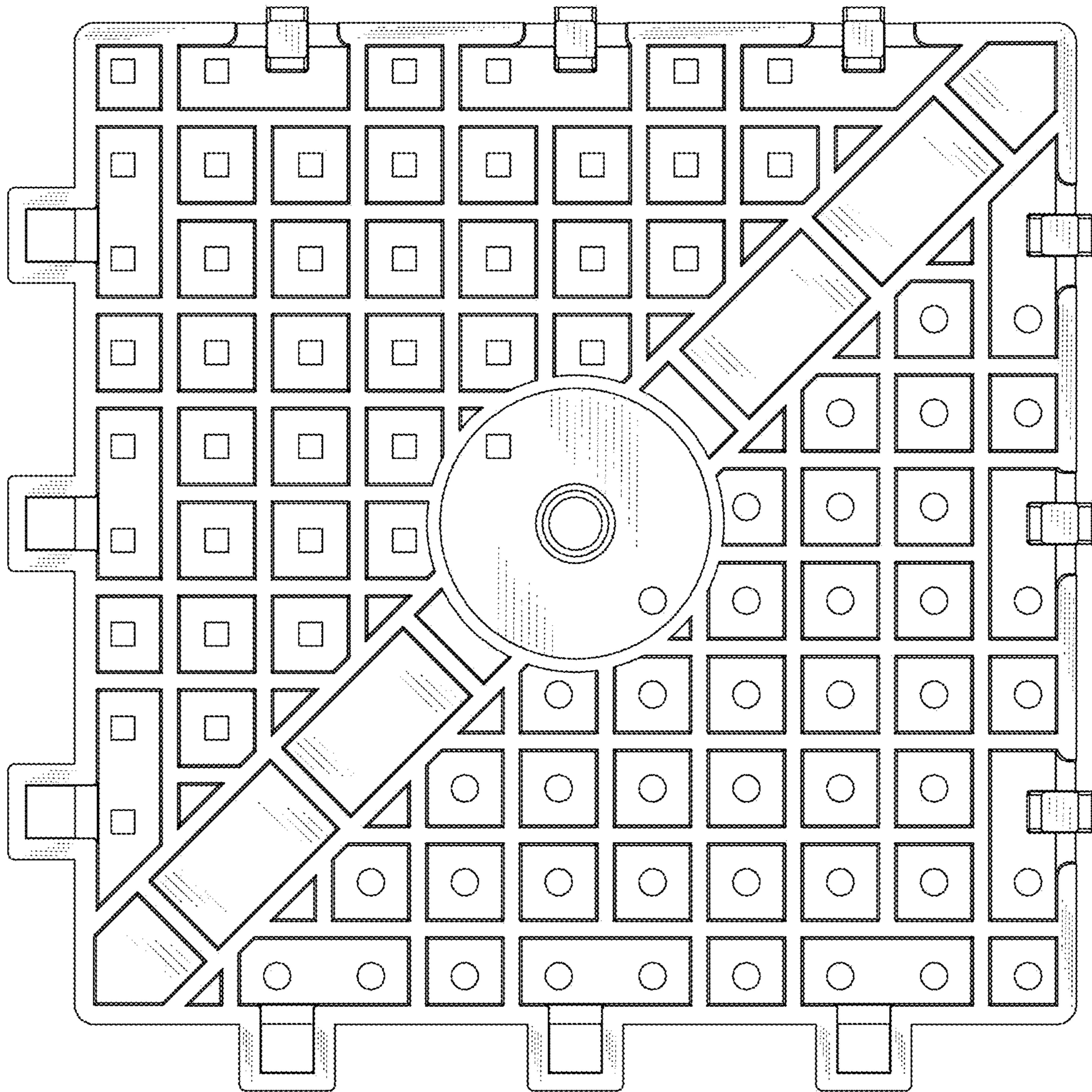


FIG.4

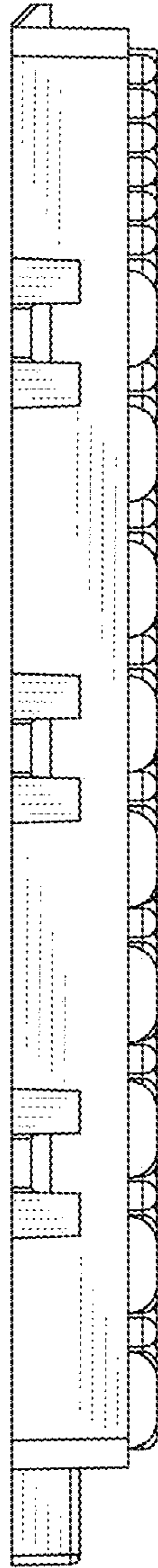


FIG.5

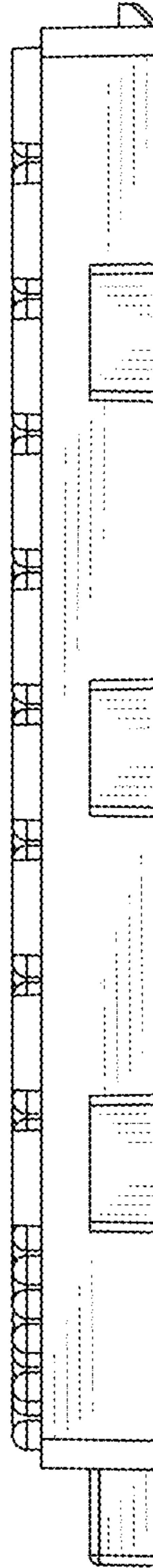


FIG.6

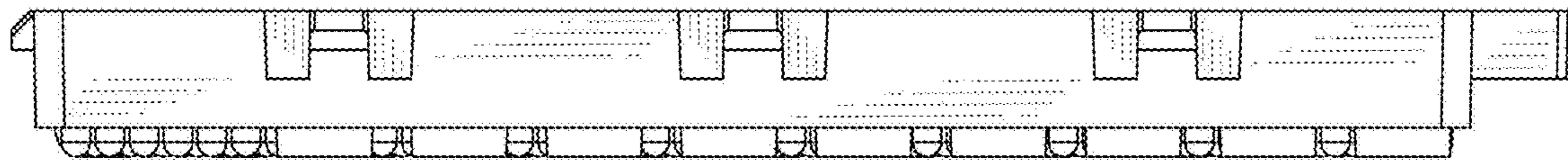


FIG.7

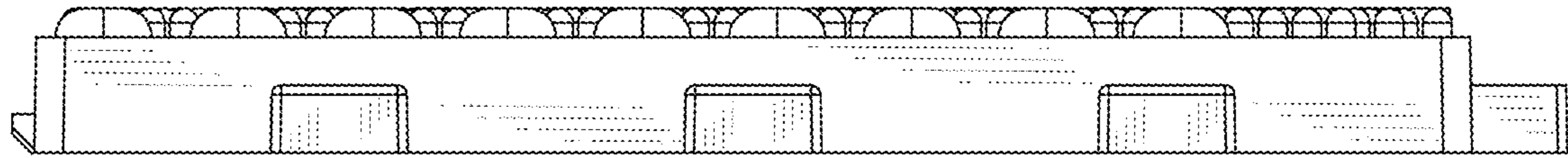


FIG. 8