



US00D898951S

(12) **United States Design Patent** (10) **Patent No.:** **US D898,951 S**  
**Helms et al.** (45) **Date of Patent:** **\*\* Oct. 13, 2020**

(54) **BUILDING EXTRUSION**  
(71) Applicant: **Golden Homes Holdings Limited,**  
Tauranga (NZ)  
(72) Inventors: **Lennard Trevor Helms,** Tauranga  
(NZ); **Michael Petersen,** Auckland  
(NZ)  
(73) Assignee: **GOLDEN HOMES HOLDINGS**  
**LIMITED,** Tauranga (NZ)  
(\*\*) Term: **15 Years**  
(21) Appl. No.: **29/661,533**  
(22) Filed: **Aug. 28, 2018**  
(30) **Foreign Application Priority Data**  
Feb. 28, 2018 (NZ) ..... 424130  
(51) **LOC (12) Cl.** ..... **25-01**  
(52) **U.S. Cl.**  
USPC ..... **D25/125**  
(58) **Field of Classification Search**  
USPC ..... D25/55, 60, 61, 119-125, 164, 199;  
D8/349, 354, 373  
CPC ..... E04B 2/00; E04B 2/58; E04B 2/60; E04B  
2/72; E04B 2/721; E04B 2/723; E04B  
2/74; E04B 2002/725; E04B 2002/726;  
E04B 2002/728; E04B 2002/7461; E04B  
2002/7462; E04B 2002/7464; E04B  
2002/7487; E04B 1/00; E04B 1/18; E04B  
1/24; E04B 1/2403; E04B 1/38; E04B  
1/58; E04B 1/5806; E04B 2001/2466;  
E04B 2001/2481  
See application file for complete search history.

(56) **References Cited**  
U.S. PATENT DOCUMENTS  
D210,286 S \* 2/1968 Venema ..... D25/122  
D210,287 S \* 2/1968 Venema ..... D25/122

D258,616 S \* 3/1981 Dallaire ..... D25/119  
D291,009 S \* 7/1987 Weilow ..... D25/120  
5,201,159 A \* 4/1993 Goranson ..... E04B 2/72  
52/572  
D371,208 S \* 6/1996 De Zen ..... D25/122  
D372,108 S \* 7/1996 Franson ..... D25/124  
D394,716 S \* 5/1998 Rinot ..... D25/124  
D402,049 S \* 12/1998 Goodchild ..... D25/122  
5,904,022 A \* 5/1999 Zadok ..... E04B 1/24  
52/650.1  
5,930,963 A \* 8/1999 Nichols ..... E04B 2/7422  
52/239  
D449,390 S \* 10/2001 Goss ..... D25/124  
D473,661 S \* 4/2003 Kim ..... D25/122  
D541,953 S \* 5/2007 Deleu ..... D25/122  
D547,462 S \* 7/2007 Petta ..... D25/122  
D561,353 S \* 2/2008 Antonic ..... D25/122  
D579,584 S \* 10/2008 Chaney ..... D25/124  
D665,516 S \* 8/2012 Bergmann ..... D25/122  
D775,373 S \* 12/2016 Veerasawmy ..... D25/124

(Continued)

*Primary Examiner* — Llorellys Martinez  
(74) *Attorney, Agent, or Firm* — Knobbe, Martens, Olson  
& Bear, LLP

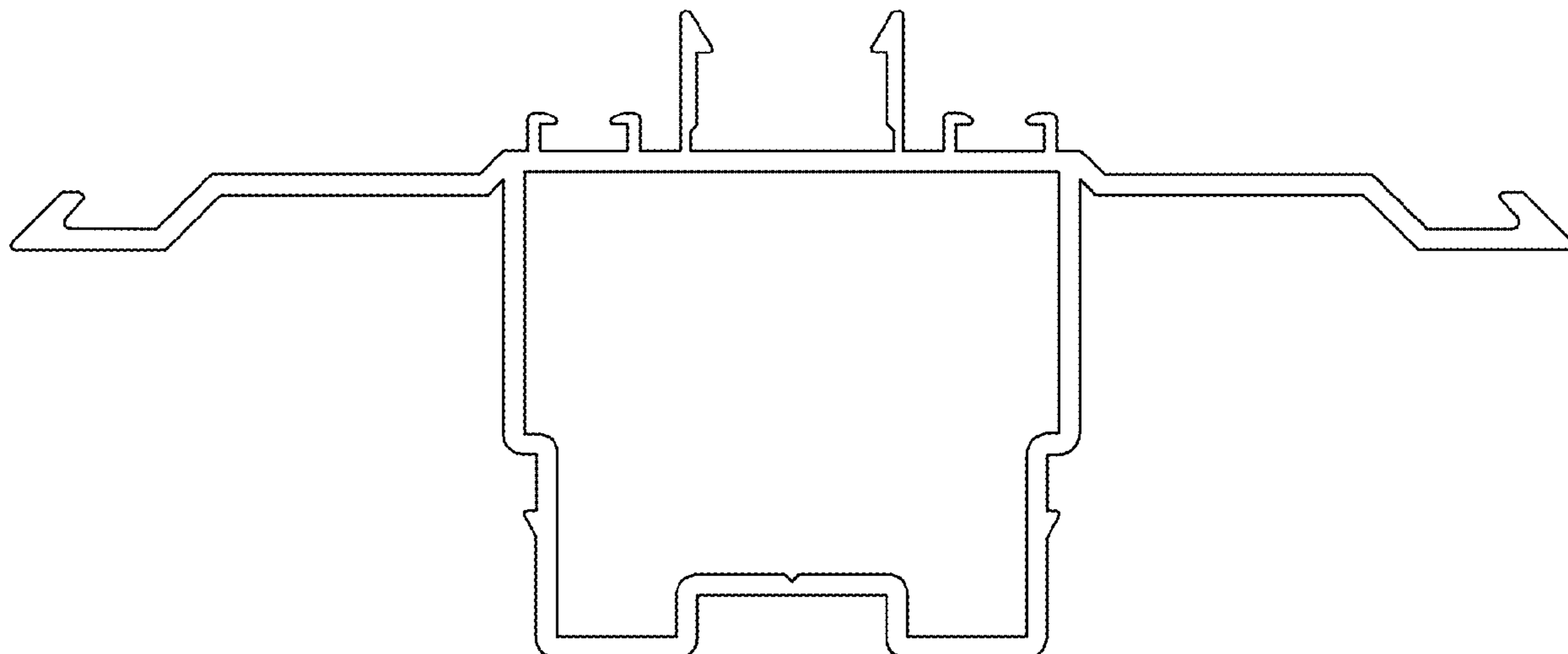
(57) **CLAIM**

The ornamental design for a building extrusion, as shown  
and described.

**DESCRIPTION**

FIG. 1 is a front end view of a building extrusion, showing  
our new design;  
FIG. 2 is a back end view thereof;  
FIG. 3 is a left side elevational view thereof;  
FIG. 4 is a right side elevational view thereof;  
FIG. 5 is a top plan view thereof;  
FIG. 6 is a bottom plan view thereof; and,  
FIG. 7 is a front, top and left side perspective view thereof.

**1 Claim, 7 Drawing Sheets**



(56)

**References Cited**

U.S. PATENT DOCUMENTS

D834,217 S \* 11/2018 Lee ..... D25/124  
D851,787 S \* 6/2019 Busl ..... D25/122  
2007/0094992 A1\* 5/2007 Antonic ..... E04B 1/24  
52/656.1  
2007/0193143 A1\* 8/2007 Antonic ..... E06B 3/6621  
52/241  
2017/0138059 A1\* 5/2017 Omori ..... E04B 1/24

\* cited by examiner

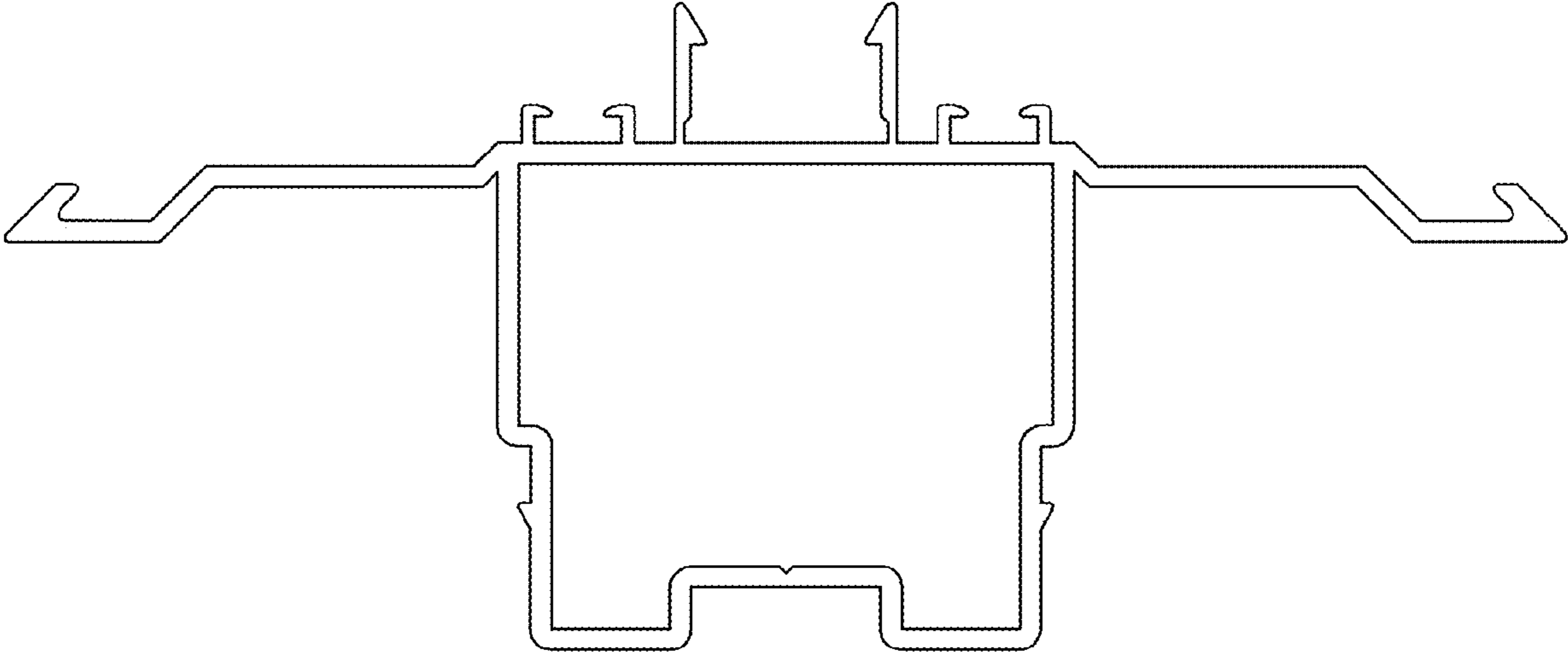


FIG. 1

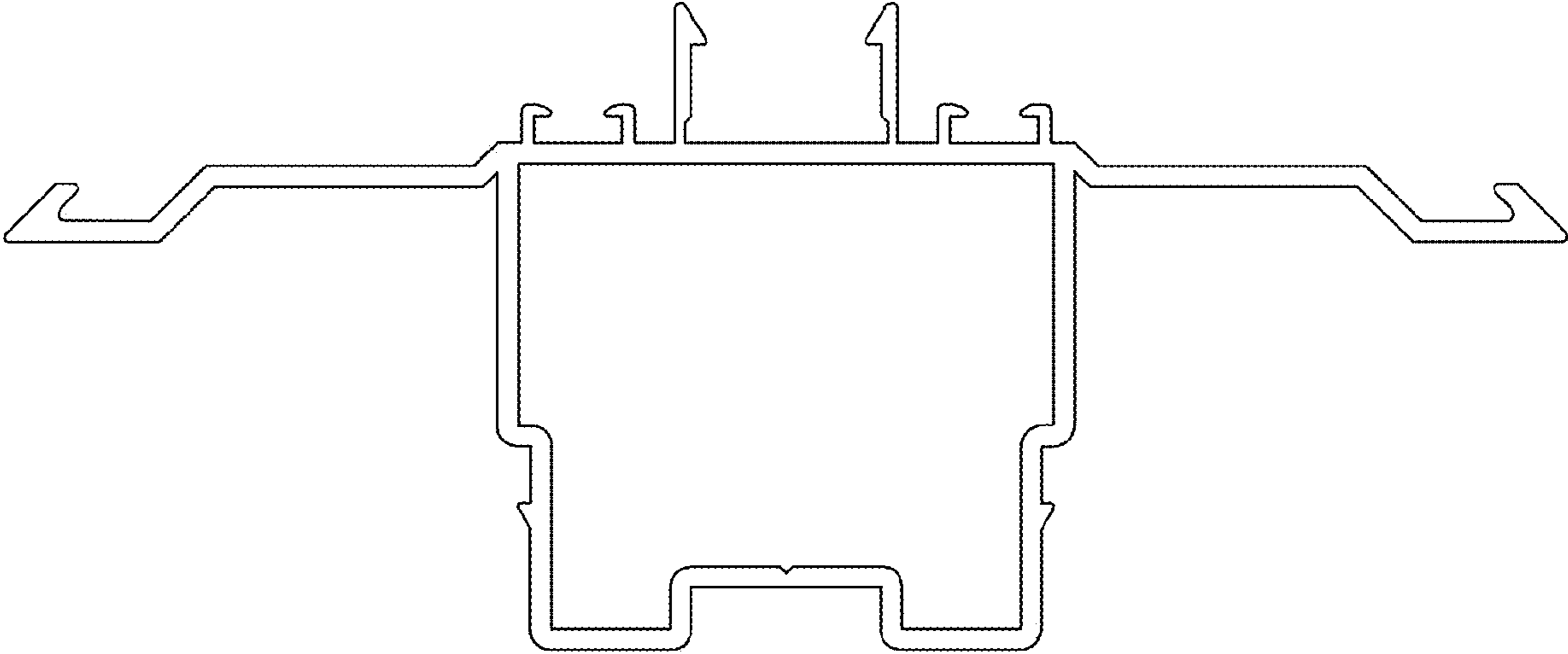


FIG. 2

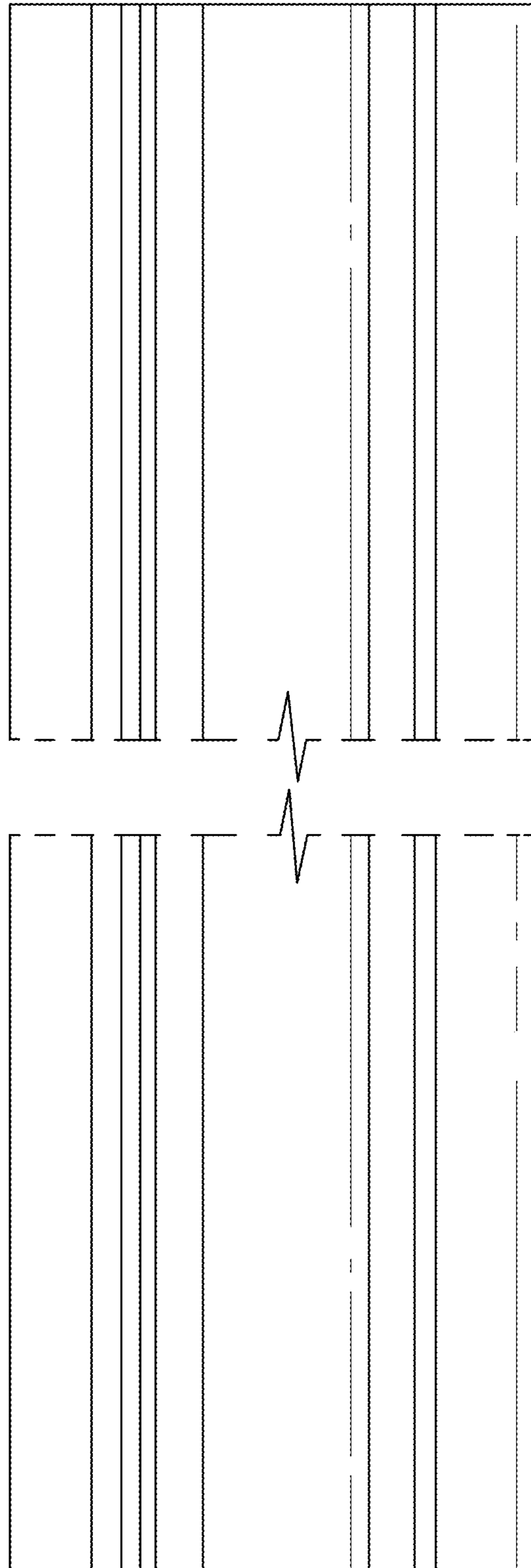


FIG. 3

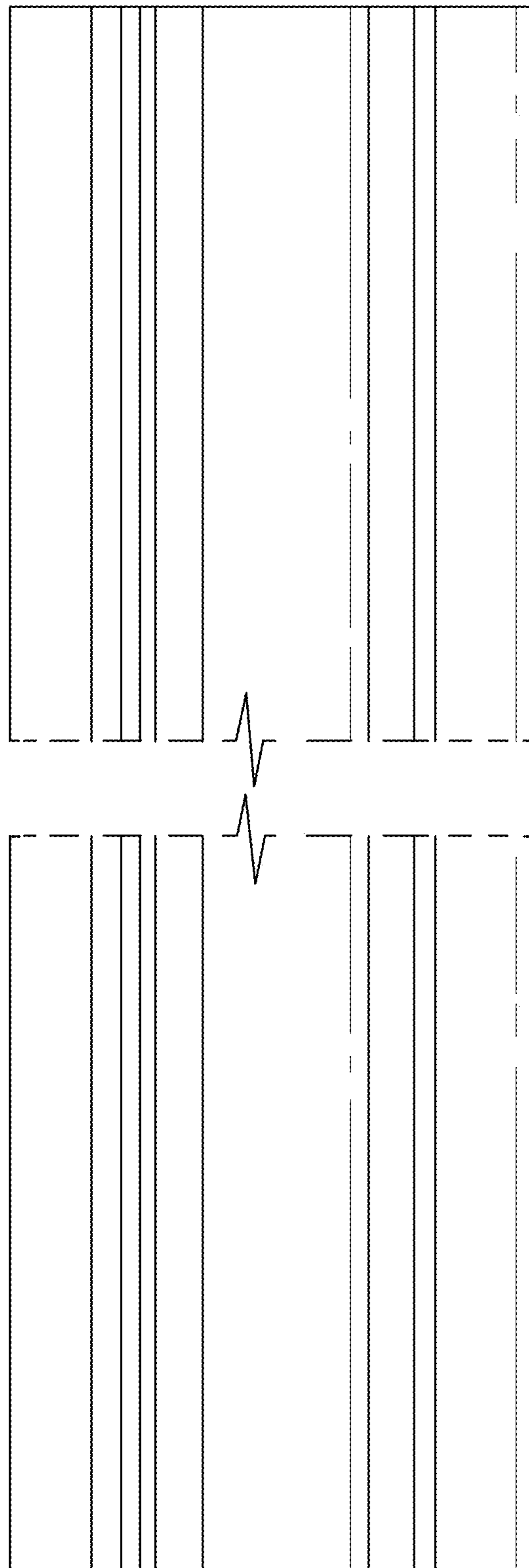


FIG. 4

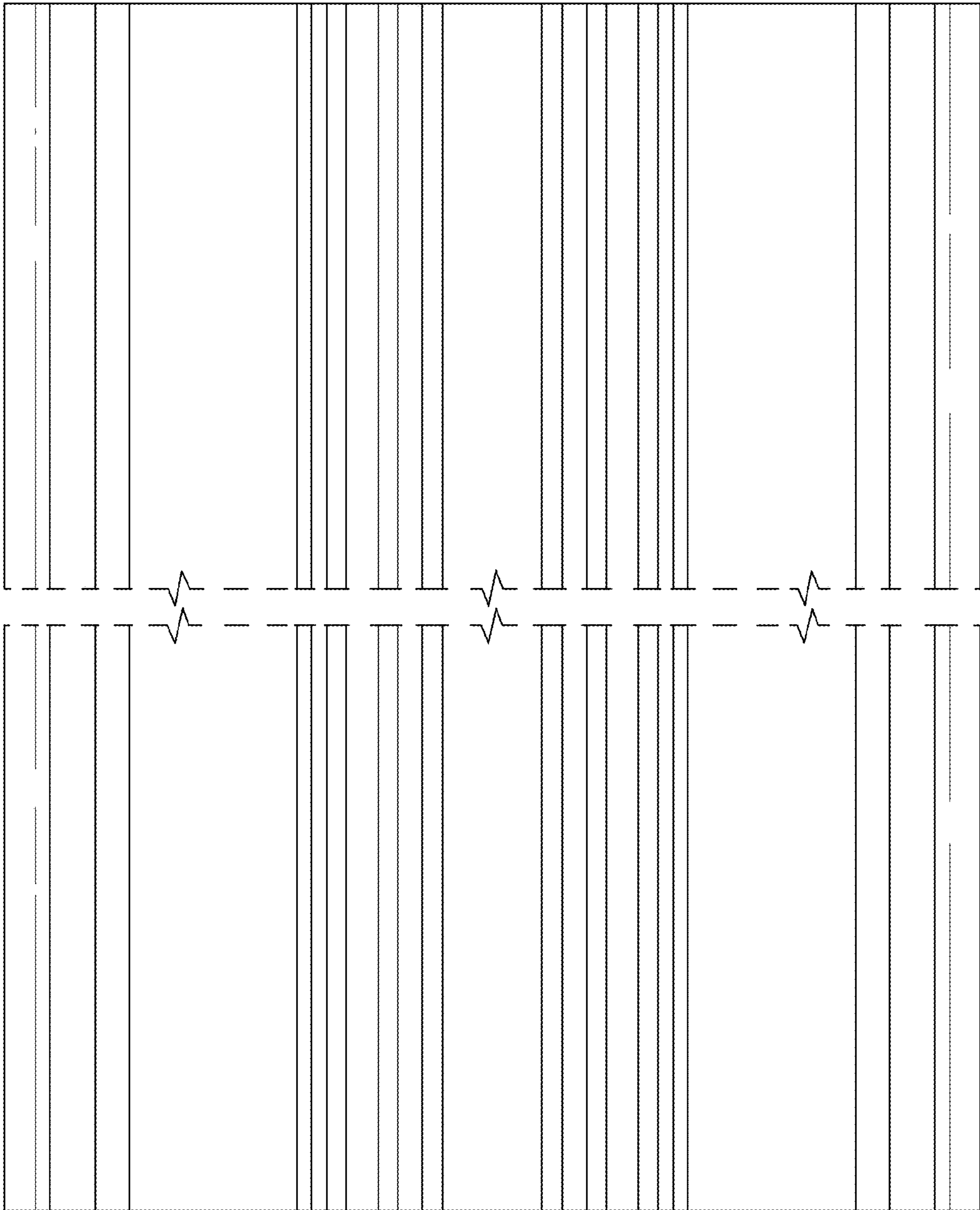


FIG. 5

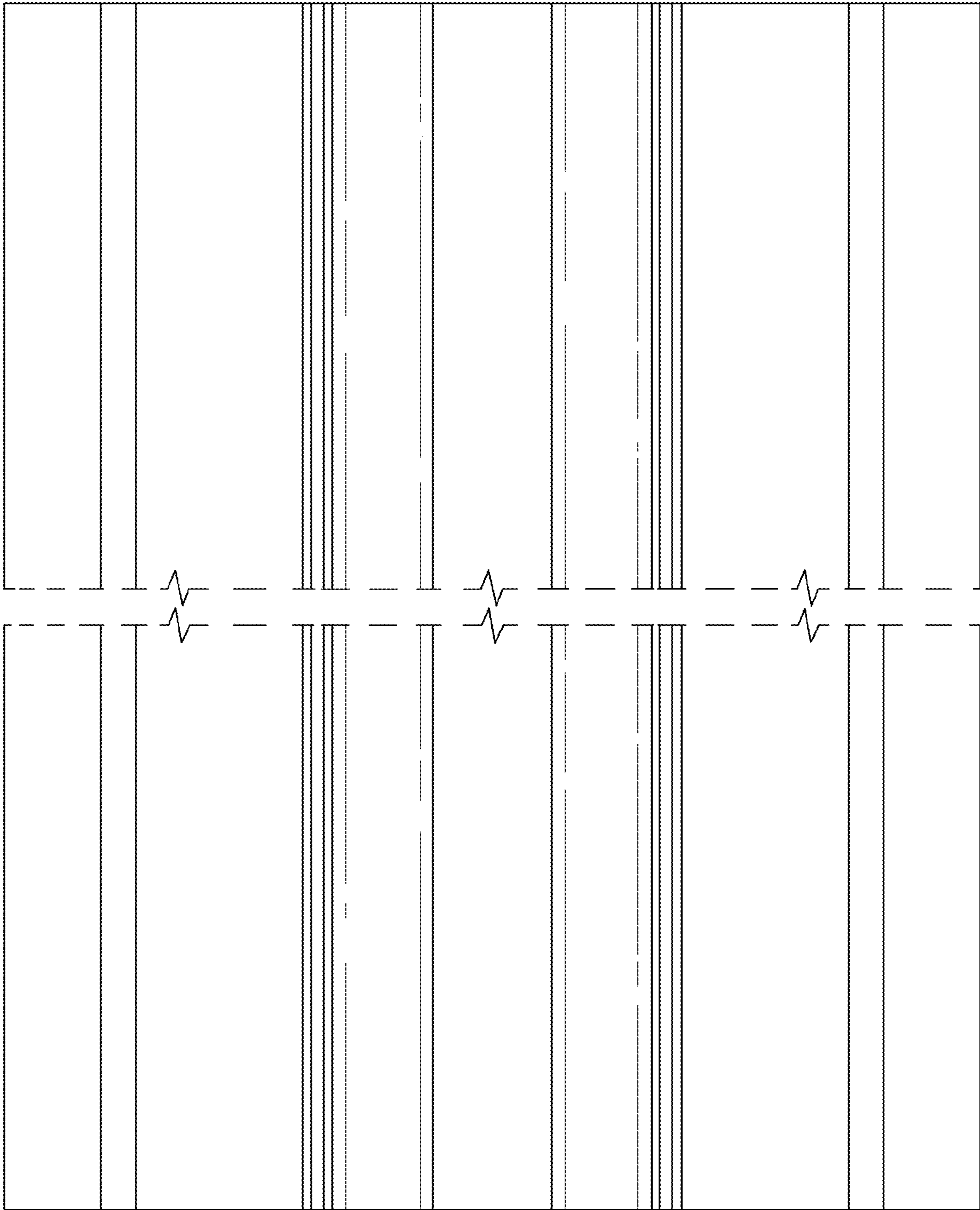


FIG. 6



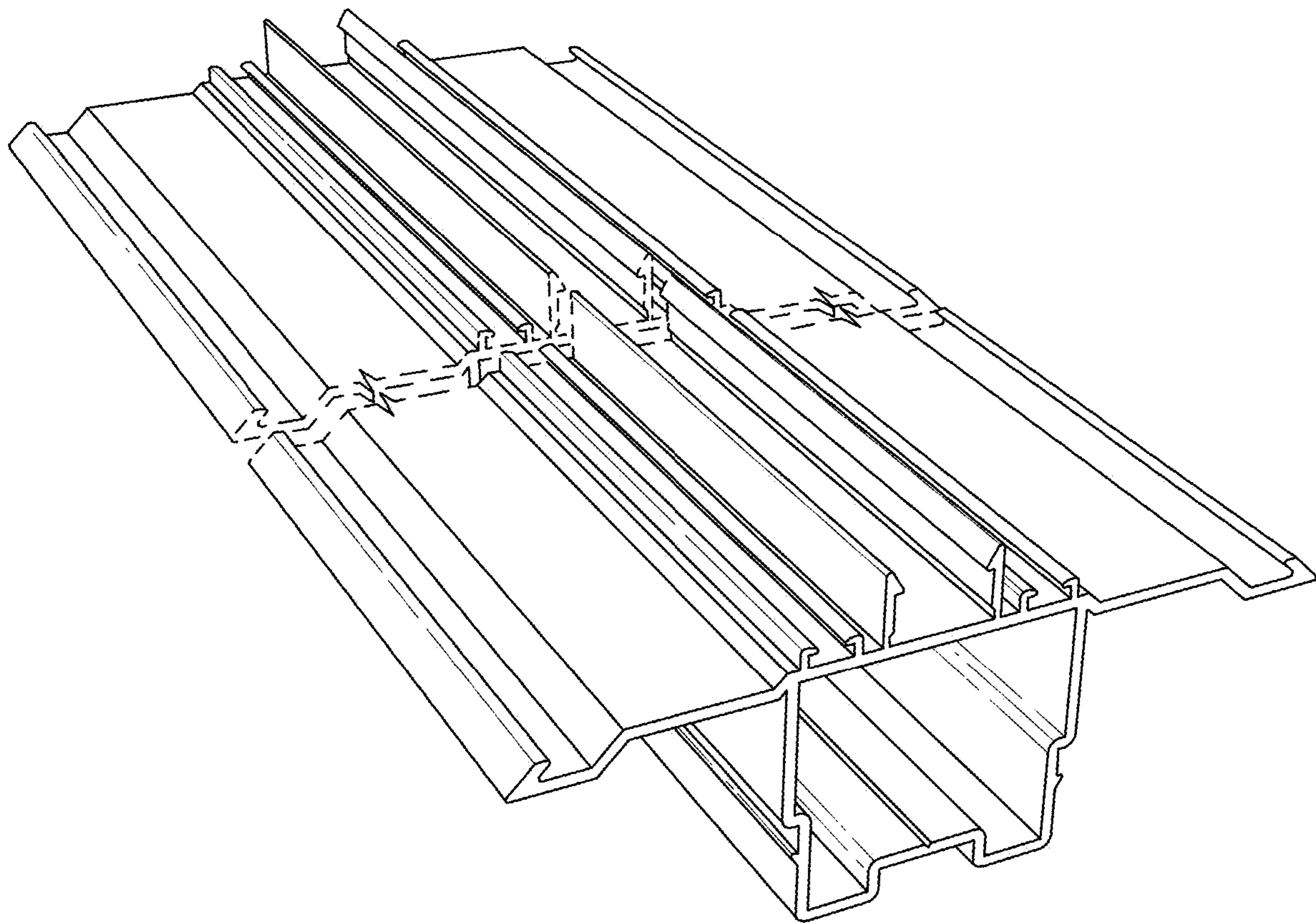


FIG. 7