



US00D898943S

(12) **United States Design Patent** (10) **Patent No.:** **US D898,943 S**  
**Zhu** (45) **Date of Patent:** **\*\* Oct. 13, 2020**

- (54) **HARDTOP GAZEBO**
- (71) Applicant: **Sunjoy Industries Group Ltd.**,  
Steubenville, OH (US)
- (72) Inventor: **Qi Zhu**, Jiaxing (CN)
- (73) Assignee: **Sunjoy Industries Group Ltd.**,  
Steubenville, OH (US)
- (\*\*) Term: **15 Years**
- (21) Appl. No.: **29/672,610**
- (22) Filed: **Dec. 6, 2018**
- (51) **LOC (12) Cl.** ..... **25-02**
- (52) **U.S. Cl.**  
USPC ..... **D25/56**
- (58) **Field of Classification Search**  
USPC ..... D3/5; D21/834, 837, 838, 839; D25/56,  
D25/57, 61  
CPC ..... E04H 1/02; E04H 1/12; E04H 1/1205;  
E04H 9/12; E04H 9/14; E04H 9/16;  
E04H 15/001; E04H 15/008; E04H 15/18;  
E04H 15/34; E04H 15/38; E04H  
2001/1283; A01G 9/14  
See application file for complete search history.

(56) **References Cited**

U.S. PATENT DOCUMENTS

D483,498 S	*	12/2003	Wang	.....	D25/56
D483,878 S	*	12/2003	Coderre	.....	D25/56
D500,367 S	*	12/2004	Wang	.....	D25/1
D500,368 S	*	12/2004	Wang	.....	D25/1
D500,369 S	*	12/2004	Wang	.....	D25/1
D500,858 S	*	1/2005	Wang	.....	D25/1
D501,049 S	*	1/2005	Wang	.....	D25/1
D501,259 S	*	1/2005	Wang	.....	D25/1
D501,681 S	*	2/2005	Wang	.....	D25/1
D505,731 S	*	5/2005	Wang	.....	D25/1
D506,262 S	*	6/2005	Wang	.....	D25/56
D506,263 S	*	6/2005	Wang	.....	D25/1

D506,265 S	*	6/2005	Wang	.....	D25/1
D506,836 S	*	6/2005	Wang	.....	D25/1
D532,116 S	*	11/2006	Merritt	.....	D25/56

(Continued)

FOREIGN PATENT DOCUMENTS

EM 005325552-0004 \* 8/2018

OTHER PUBLICATIONS

Allen & roth Black Woodgrain Metal Square Gazebo Lowes <https://www.lowes.com/pd/allen-roth-Black-Woodgrain-Metal-Square-Gazebo-Exterior-10-925-ft-x-10-925-ft-Foundation-10-ft-x-10-ft/1000365947> earliest review Feb. 1, 2018 (Year: 2018).\*

(Continued)

*Primary Examiner* — Leanne Was-Englehart  
(74) *Attorney, Agent, or Firm* — The Law Office of Patrick F. O'Reilly, III, LLC

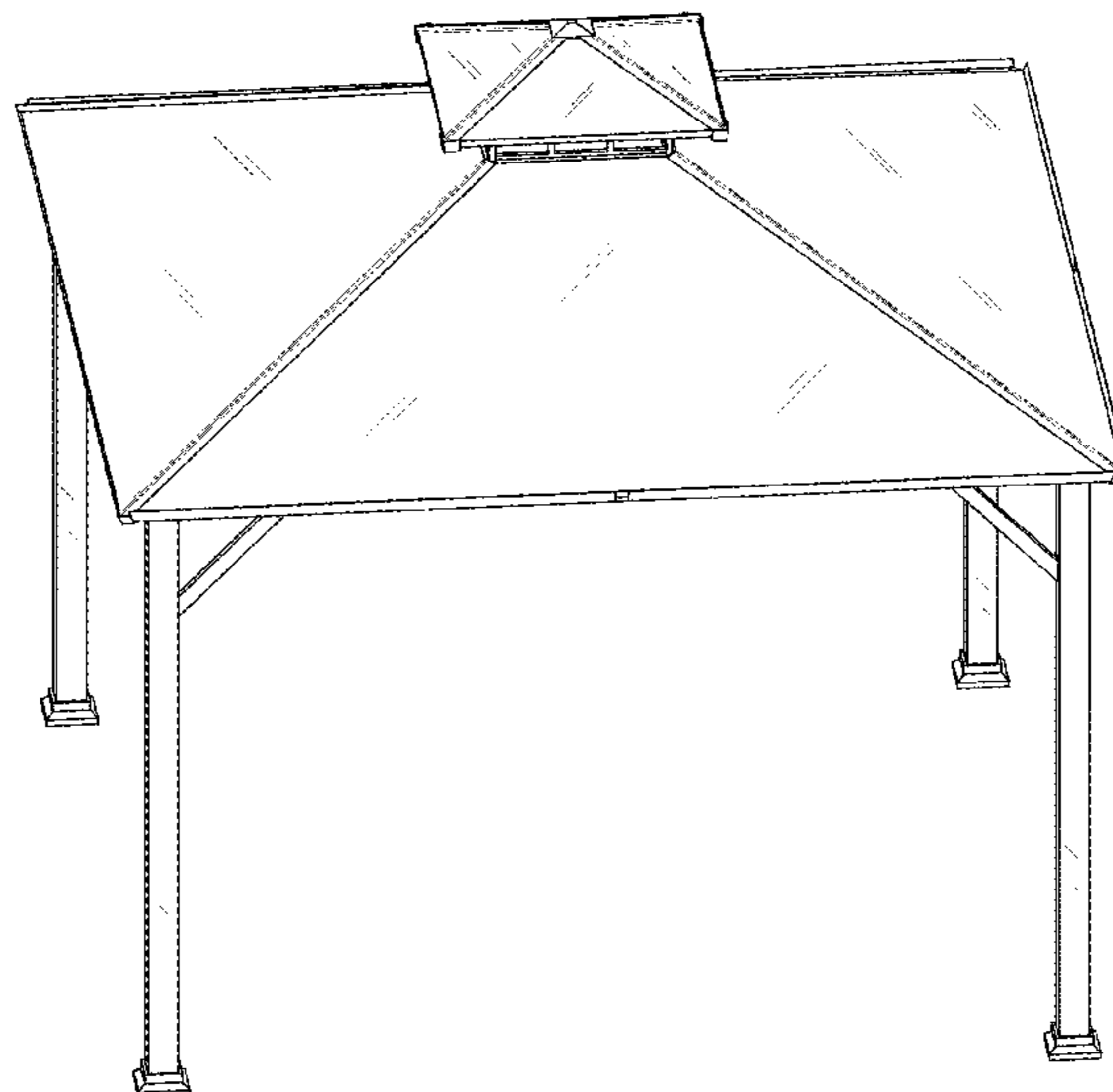
(57) **CLAIM**

The ornamental design for a hardtop gazebo, as shown and described.

**DESCRIPTION**

FIG. 1 is a front-top perspective view of a hardtop gazebo showing my new design;  
FIG. 2 is a front elevational view of the hardtop gazebo shown in FIG. 1;  
FIG. 3 is a rear elevational view of the hardtop gazebo shown in FIG. 1;  
FIG. 4 is a left side elevational view of the hardtop gazebo shown in FIG. 1;  
FIG. 5 is a right side elevational view of the hardtop gazebo shown in FIG. 1;  
FIG. 6 is a top plan view of the hardtop gazebo shown in FIG. 1;  
FIG. 7 is a bottom plan view of the hardtop gazebo shown in FIG. 1; and,  
FIG. 8 is a bottom-front perspective view of the hardtop gazebo shown in FIG. 1.

**1 Claim, 5 Drawing Sheets**



(56)

**References Cited**

U.S. PATENT DOCUMENTS

D562,989 S \* 2/2008 Chipman ..... D25/56  
D570,494 S \* 6/2008 Tseng ..... D25/56  
9,243,422 B2 1/2016 Hunt et al.  
9,556,639 B2 1/2017 Hunt et al.  
D785,201 S \* 4/2017 Hassman ..... D25/56  
10,132,075 B2 11/2018 Banal et al.  
10,184,264 B2 1/2019 Hunt et al.  
10,202,783 B2 2/2019 Pan  
10,214,938 B2 2/2019 Pan  
D850,654 S \* 6/2019 Ji ..... D25/56  
2011/0209737 A1 \* 9/2011 Konkle, Jr. .... E04H 15/34  
135/121

OTHER PUBLICATIONS

Sunjoy Allen Hard Top Gazebo YouTube <https://www.youtube.com/watch?v=9bnSWaKA7Sc> Posted May 21, 2018 (Year: 2018).\*  
Sunjoy direct gazebo [https://secure.sunjoydirect.com/Gazebo/Gazebo/Closeout\\_Deal\\_on\\_Sonoma\\_Gazebo.html](https://secure.sunjoydirect.com/Gazebo/Gazebo/Closeout_Deal_on_Sonoma_Gazebo.html) Apr. 26, 2016 (Year: 2016).\*

\* cited by examiner

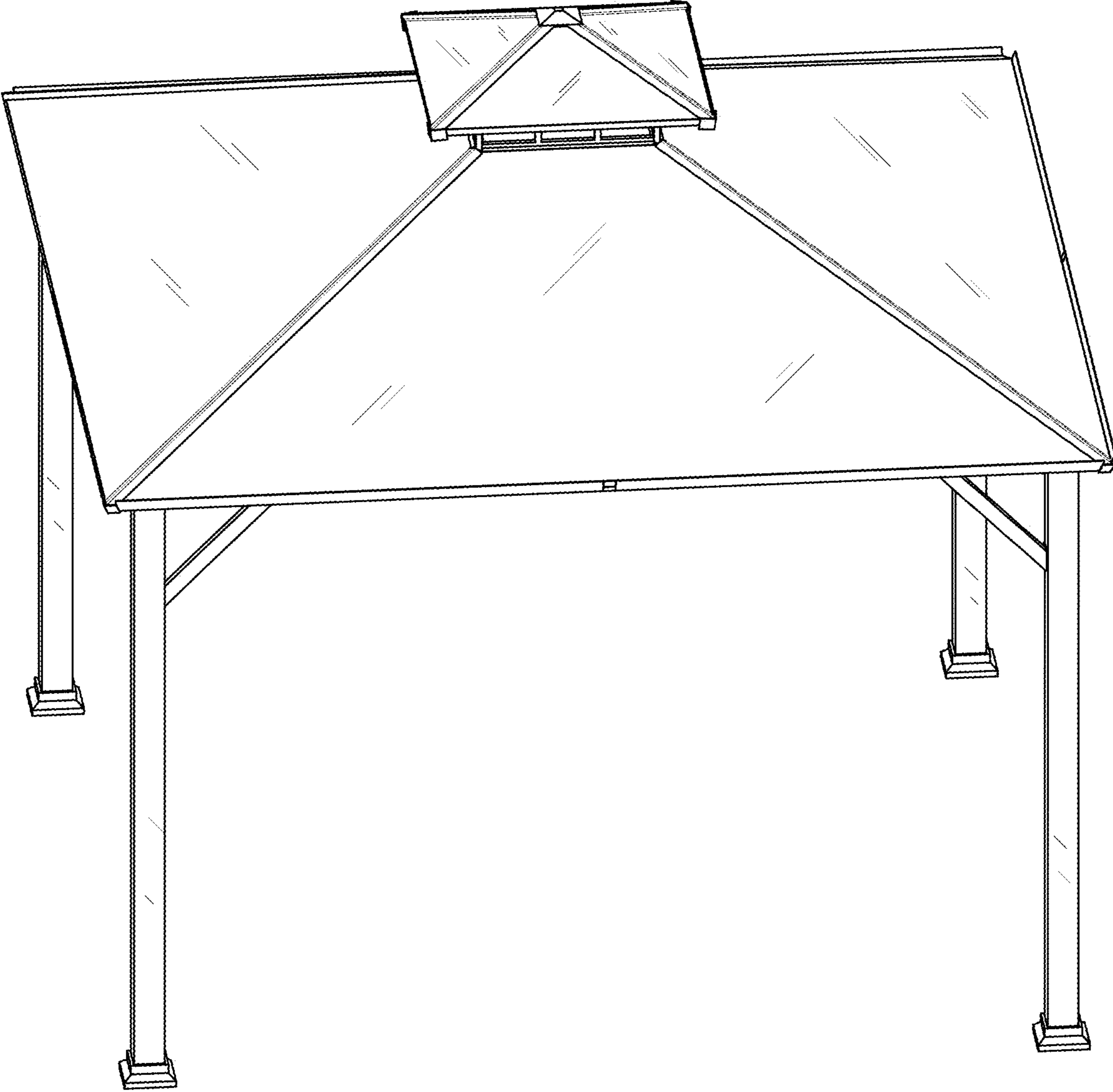


FIG. 1

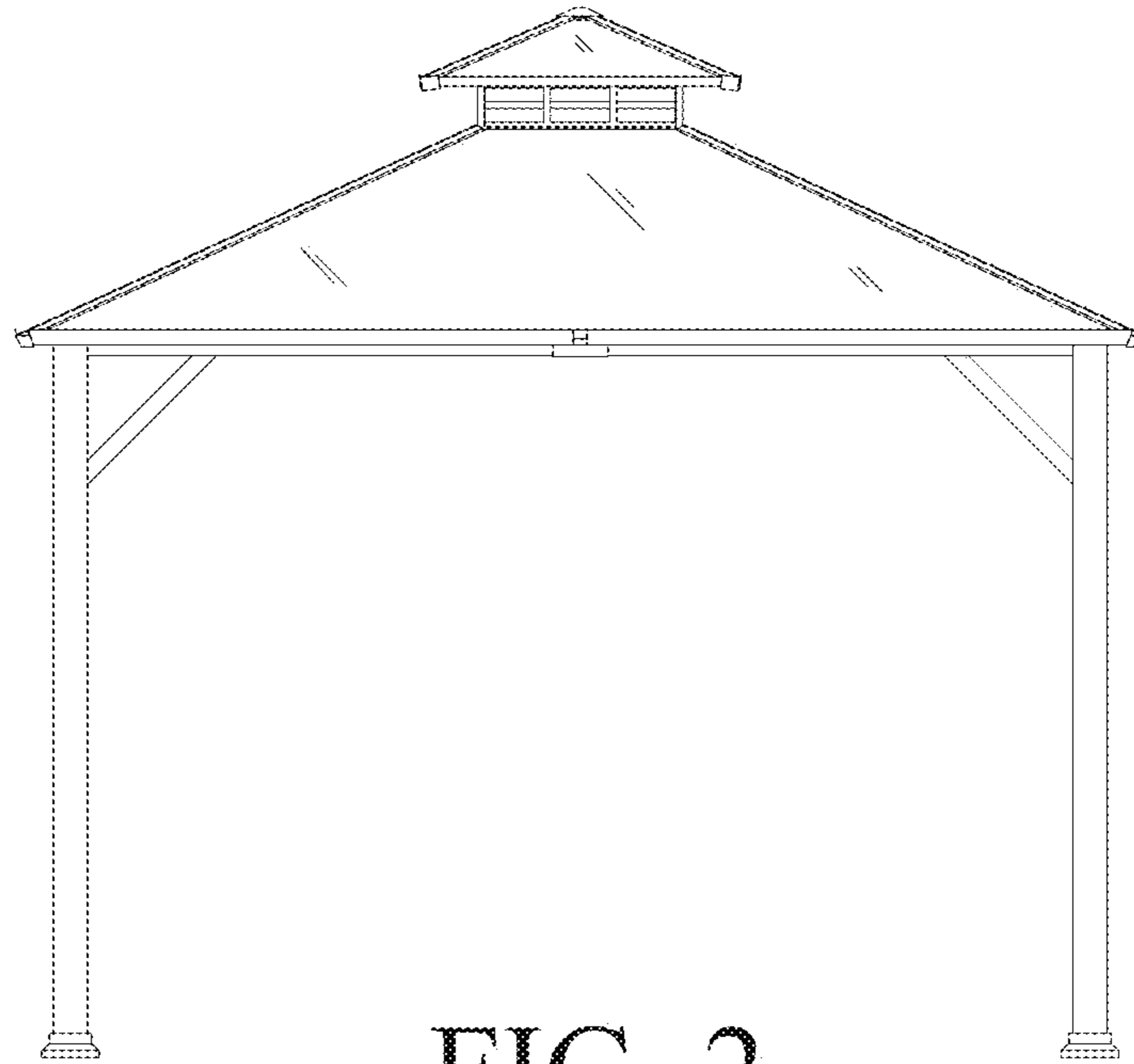


FIG. 2

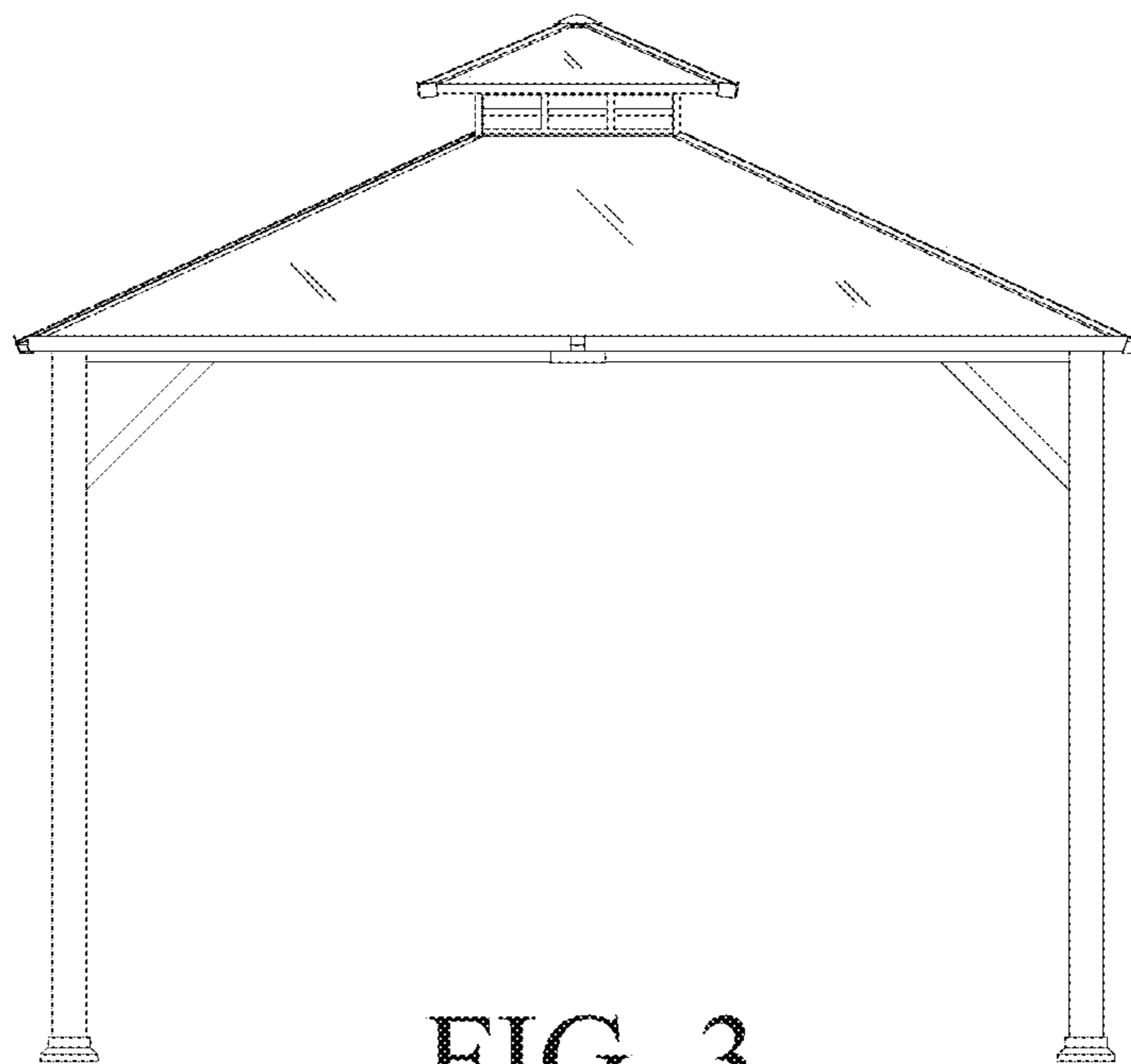


FIG. 3

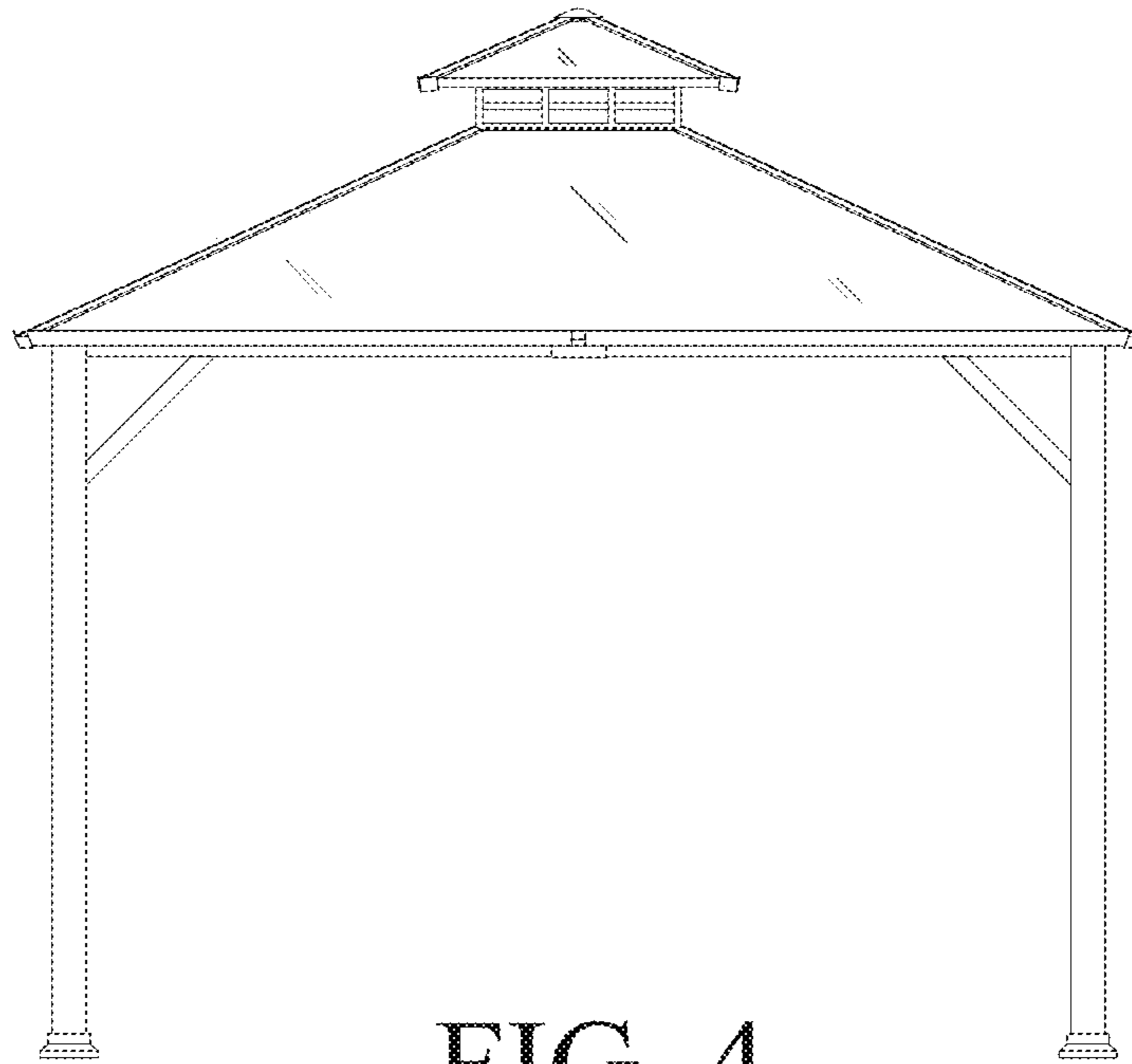


FIG. 4

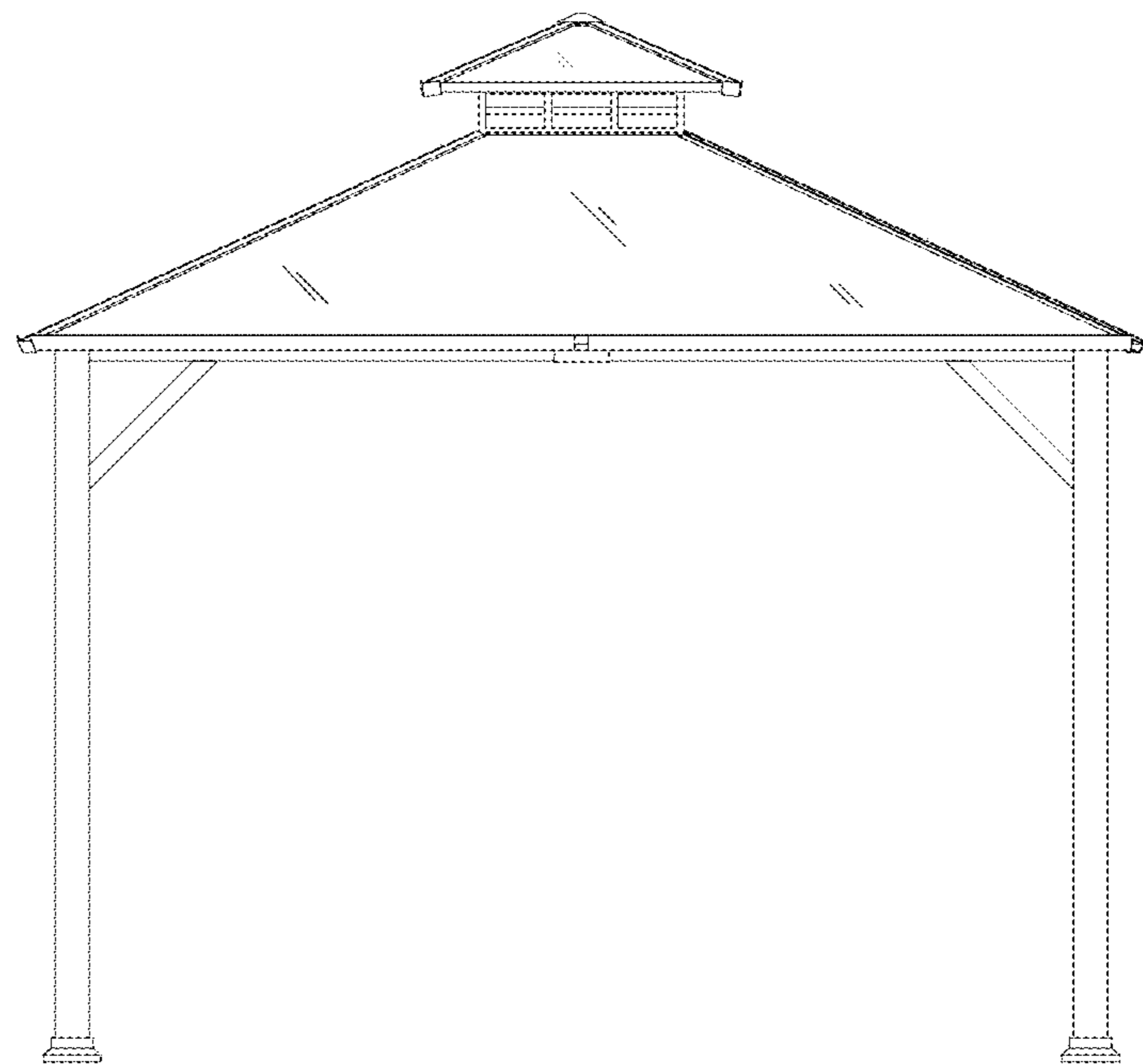


FIG. 5



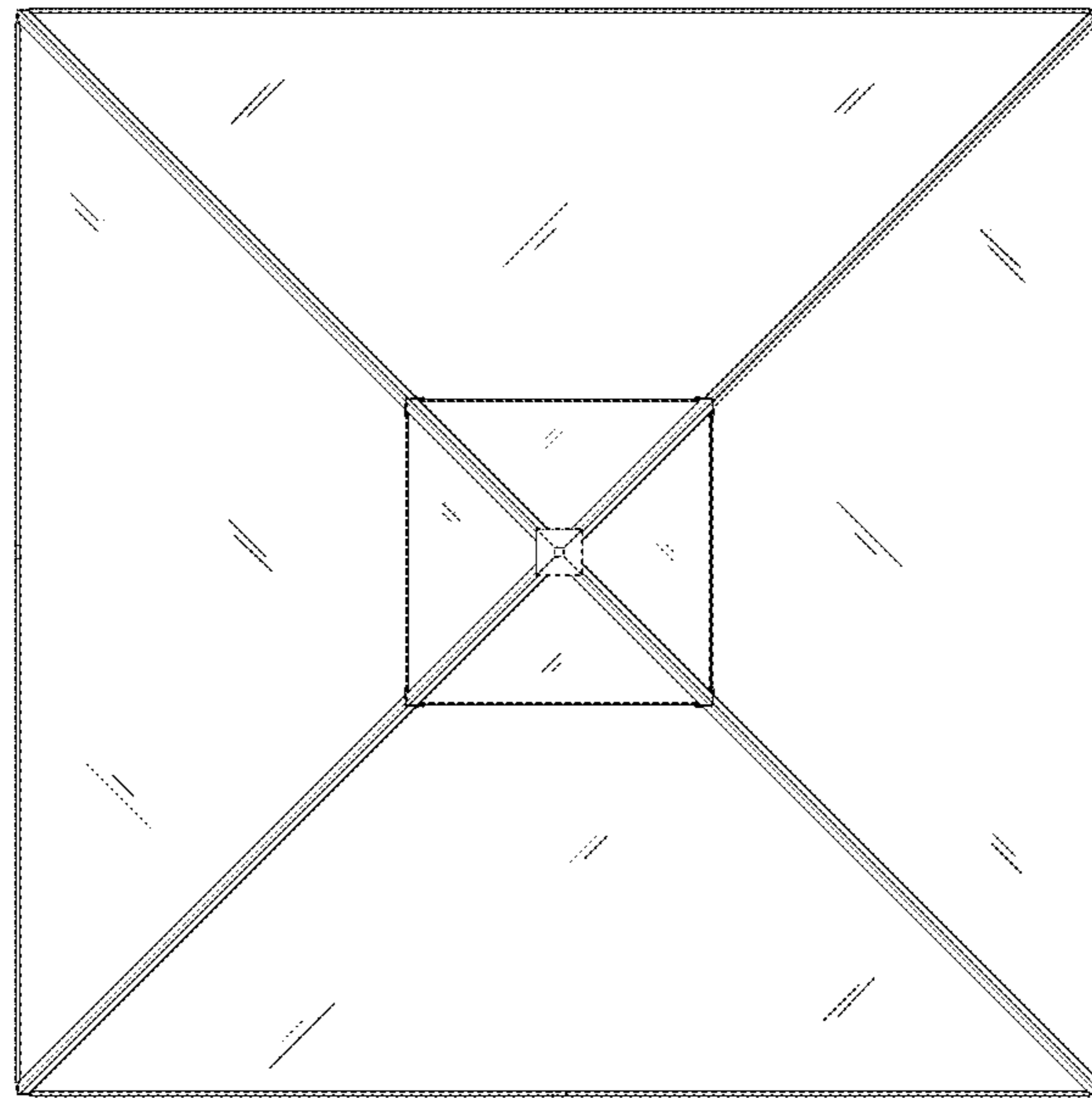


FIG. 6

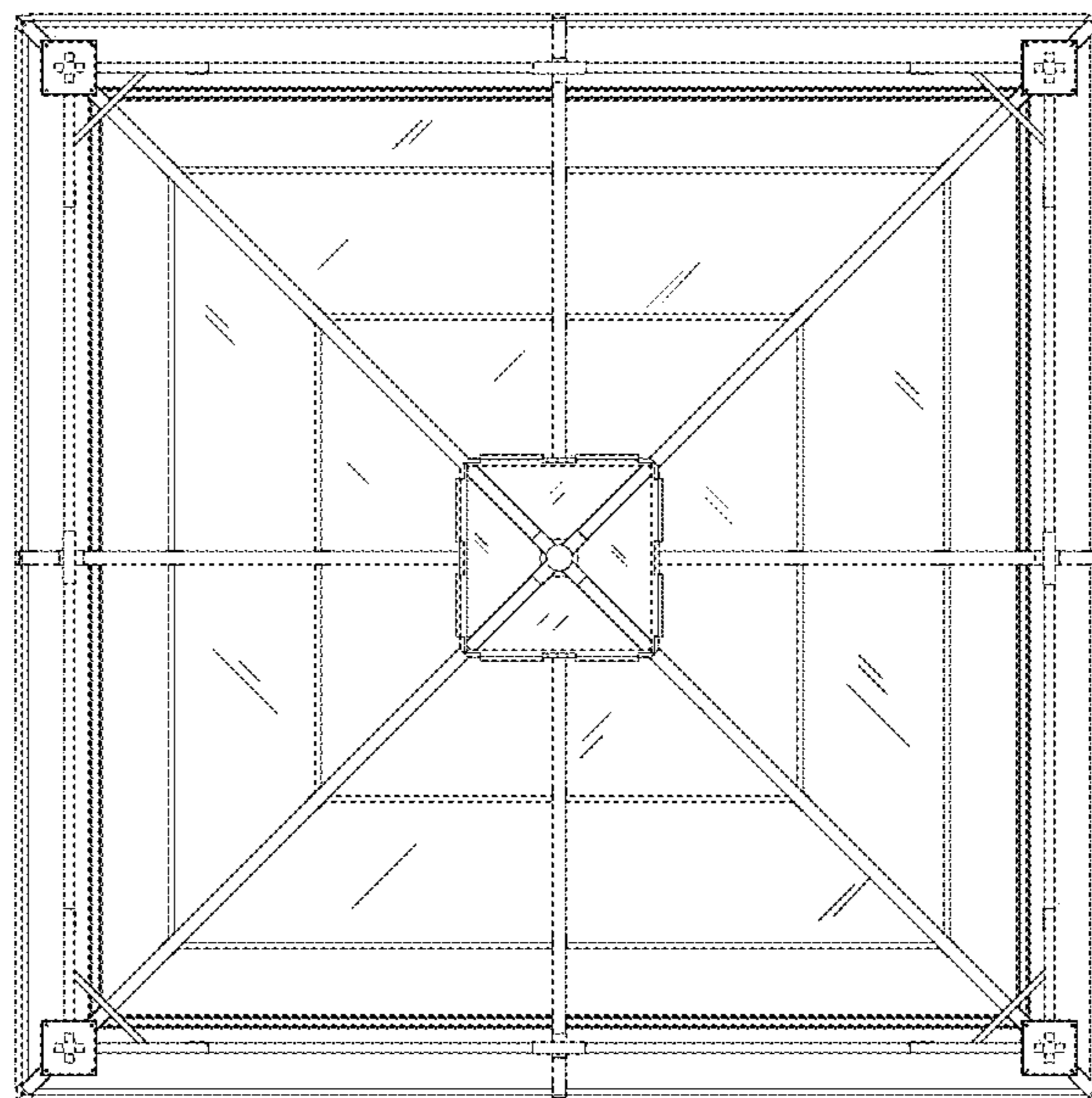


FIG. 7

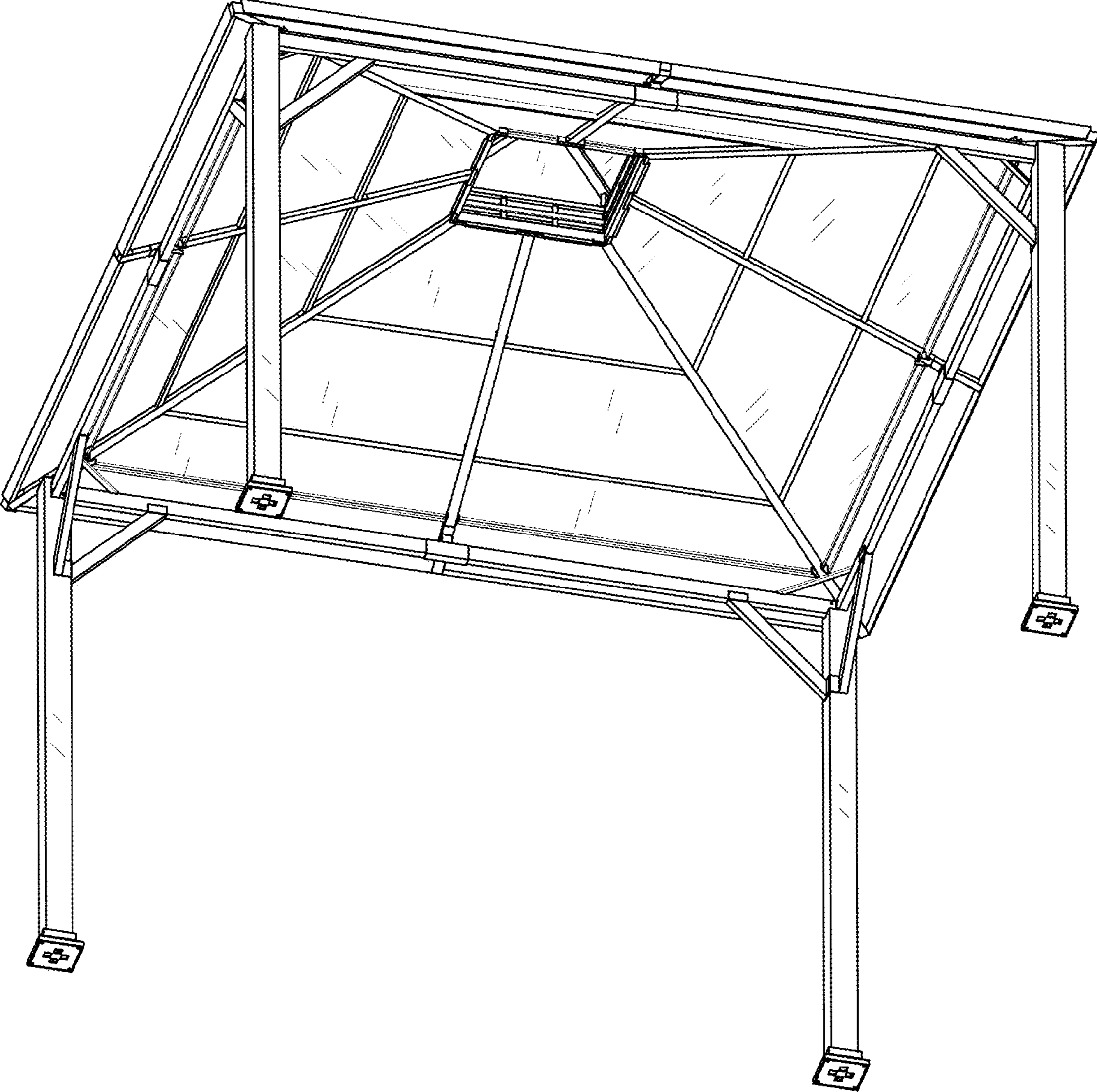


FIG. 8