



US00D898941S

(12) **United States Design Patent** (10) **Patent No.:** **US D898,941 S**  
**Ollar** (45) **Date of Patent:** **\*\* Oct. 13, 2020**

(54) **MULTIPLE TUBE STAND**  
(71) Applicant: **ZYMO RESEARCH CORPORATION**, Irvine, CA (US)  
(72) Inventor: **Samuel J. Ollar**, Irvine, CA (US)  
(73) Assignee: **ZYMO RESEARCH CORPORATION**, Irvine, CA (US)

D461,554 S \* 8/2002 Lafond ..... D24/227  
6,601,725 B2 \* 8/2003 Lafond ..... B01L 3/50853  
220/23.4  
D566,851 S \* 4/2008 Hawker ..... D24/230  
D591,425 S \* 4/2009 Hawker ..... D24/230  
(Continued)

(\*\*) Term: **15 Years**

**FOREIGN PATENT DOCUMENTS**

GB 1019149 \* 4/1984

(21) Appl. No.: **29/691,037**

(22) Filed: **May 13, 2019**

(51) **LOC (12) Cl.** ..... **24-02**

(52) **U.S. Cl.**  
USPC ..... **D24/227; D24/230**

(58) **Field of Classification Search**  
USPC ..... D24/107, 169, 186, 216, 223-230, 121;  
D9/756-758  
CPC ..... B01L 9/06; B01L 3/502  
See application file for complete search history.

**OTHER PUBLICATIONS**

Nalgene Plastic 13mm Tube Vial Rack Holder Unwire 6x12 Blue 72 Place. Online, published date unknown. Retrieved on May 28, 2020 from URL: <https://www.ebay.com/itm/232981792890>.\*

*Primary Examiner* — Susan Bennett Hattan  
*Assistant Examiner* — Omeed Agilee  
(74) *Attorney, Agent, or Firm* — Parker Highlander PLLC

(57) **CLAIM**

The ornamental design for a multiple tube stand, as shown and described.

(56) **References Cited**

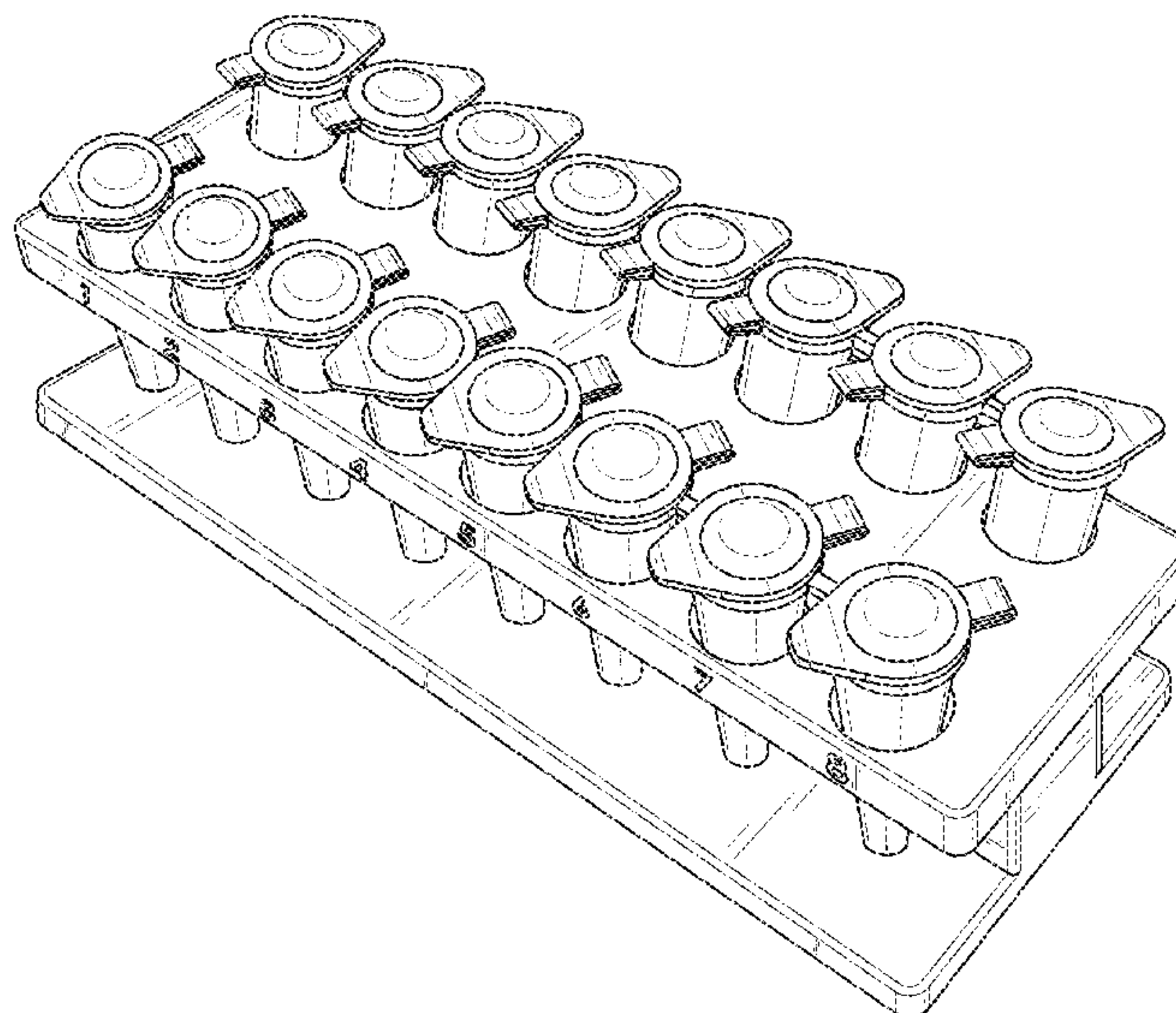
**DESCRIPTION**

**U.S. PATENT DOCUMENTS**

2,979,210 A \* 4/1961 Patterson ..... B01L 9/06  
211/74  
D245,118 S \* 7/1977 Heaton ..... D24/230  
D250,348 S \* 11/1978 Frangiosa ..... D24/230  
D257,390 S \* 10/1980 Hahn ..... D24/230  
4,284,603 A \* 8/1981 Korom ..... B01L 9/06  
210/323.1  
D265,126 S \* 6/1982 Beall ..... D24/230  
4,407,958 A \* 10/1983 DeGraff, Jr. .... B01L 9/06  
211/194  
D284,700 S \* 7/1986 Mehra ..... D24/229  
D288,484 S \* 2/1987 Mitchell ..... D24/230  
D318,332 S \* 7/1991 Allen ..... D24/229  
5,080,232 A \* 1/1992 Leoncavallo ..... B01L 9/06  
206/443  
D360,321 S \* 7/1995 Wang ..... D6/682.2  
D387,874 S \* 12/1997 Vila ..... D24/227

FIG. 1 is a front perspective view of a multiple tube stand in accordance with the present design;  
FIG. 2 is a front elevation of the multiple tube stand of FIG. 1;  
FIG. 3 is a rear elevation view of the multiple tube stand of FIG. 1;  
FIG. 4 is a right side plan view of the multiple tube stand of FIG. 1;  
FIG. 5 is a left side plan view of the multiple tube stand of FIG. 1;  
FIG. 6 is a top elevation view of the multiple tube stand of FIG. 1; and,  
FIG. 7 is a bottom elevation view of the multiple tube stand of FIG. 1.

**1 Claim, 7 Drawing Sheets**



(56)

**References Cited**

U.S. PATENT DOCUMENTS

7,553,671 B2 \* 6/2009 Sinclair ..... B01L 9/06  
422/552  
D659,850 S \* 5/2012 Thom ..... D24/229  
D683,046 S \* 5/2013 Yin ..... D24/230  
D785,428 S \* 5/2017 Friesen ..... D8/71  
D825,774 S \* 8/2018 Self ..... D24/224  
D827,149 S \* 8/2018 Self ..... D24/224  
D848,638 S \* 5/2019 Sims ..... D24/226  
D849,961 S \* 5/2019 Muller ..... D24/224  
2019/0070573 A1 \* 3/2019 Akiyama ..... G01N 1/38

\* cited by examiner

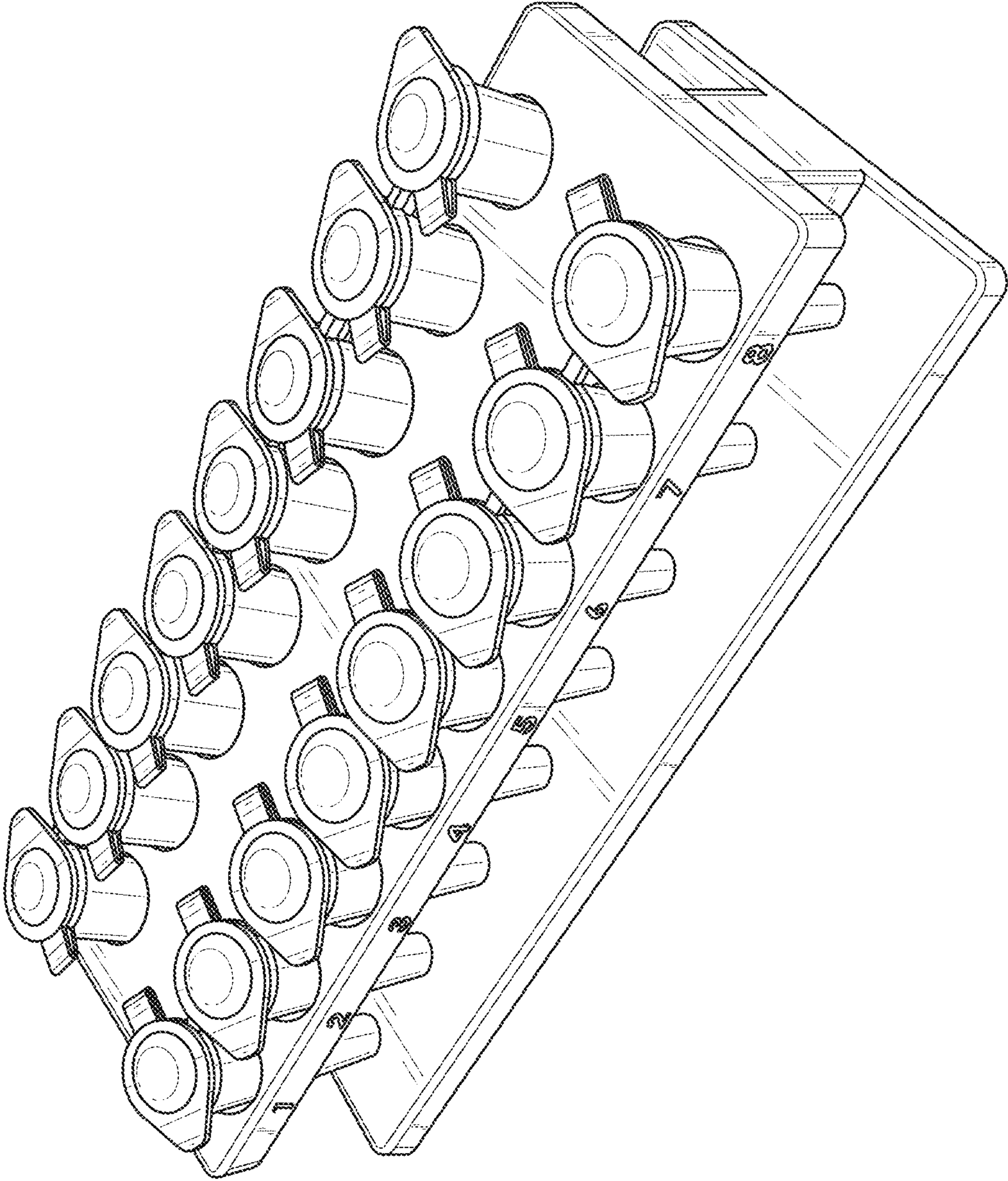


FIG. 1



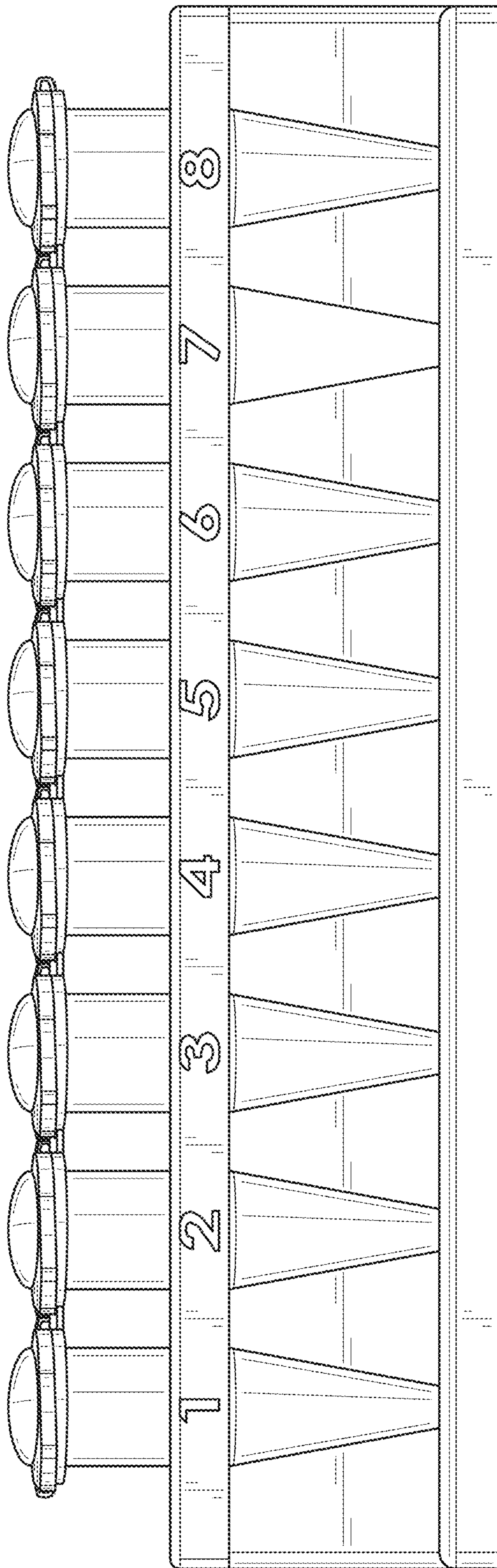


FIG. 2

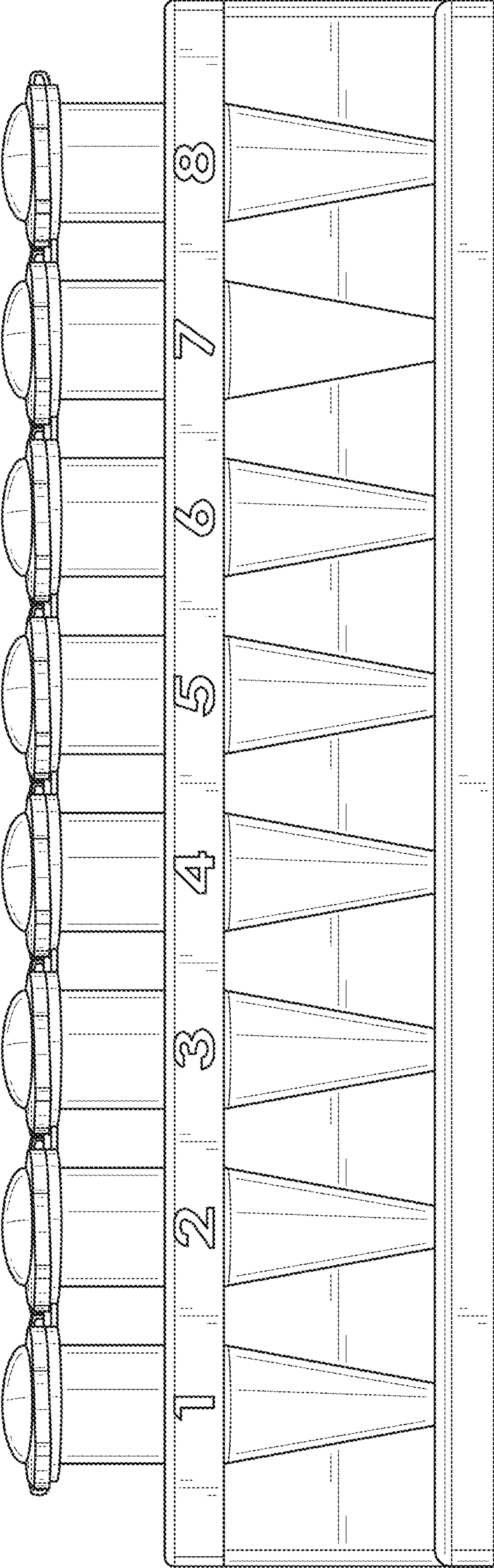


FIG. 3

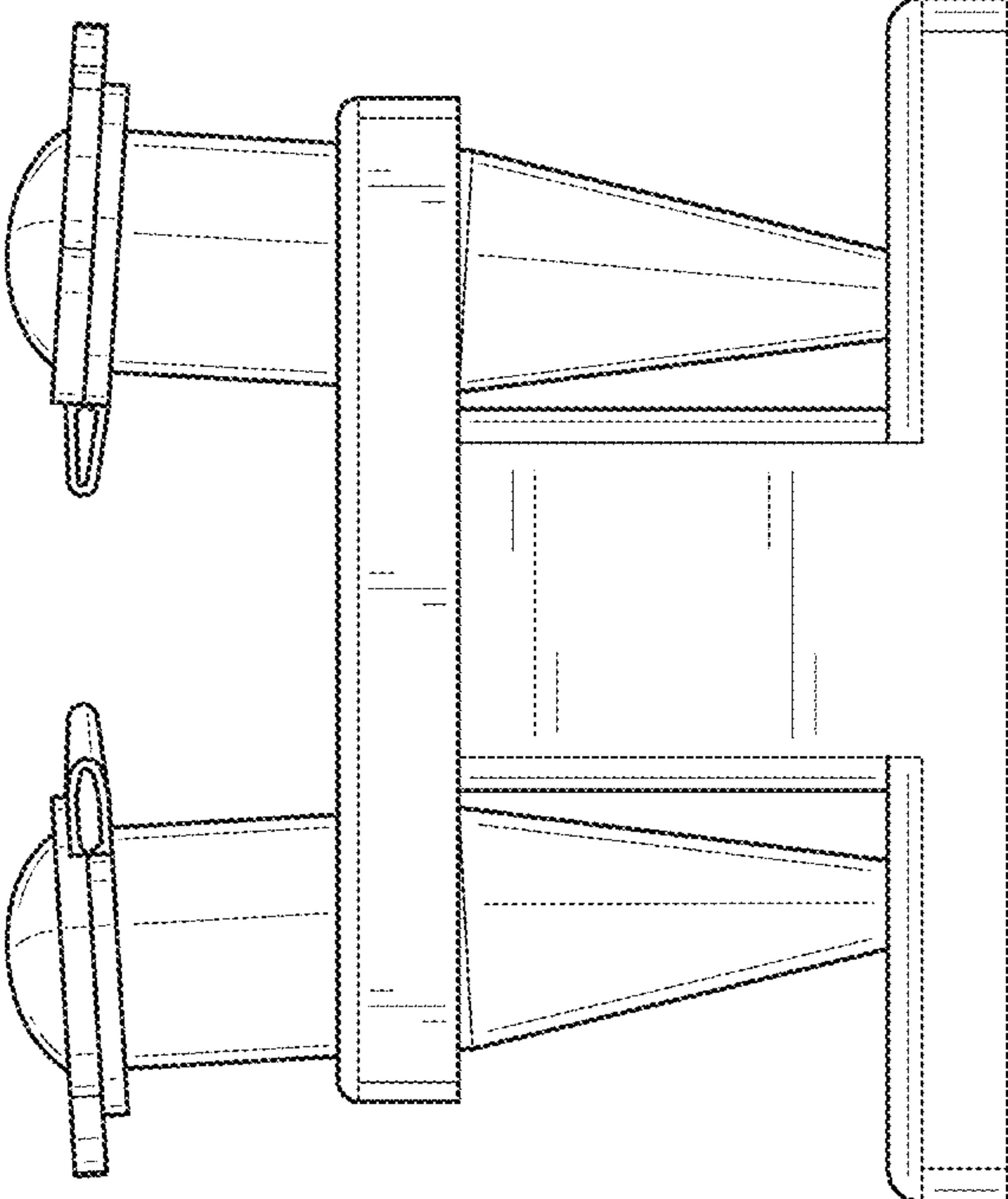


FIG. 4

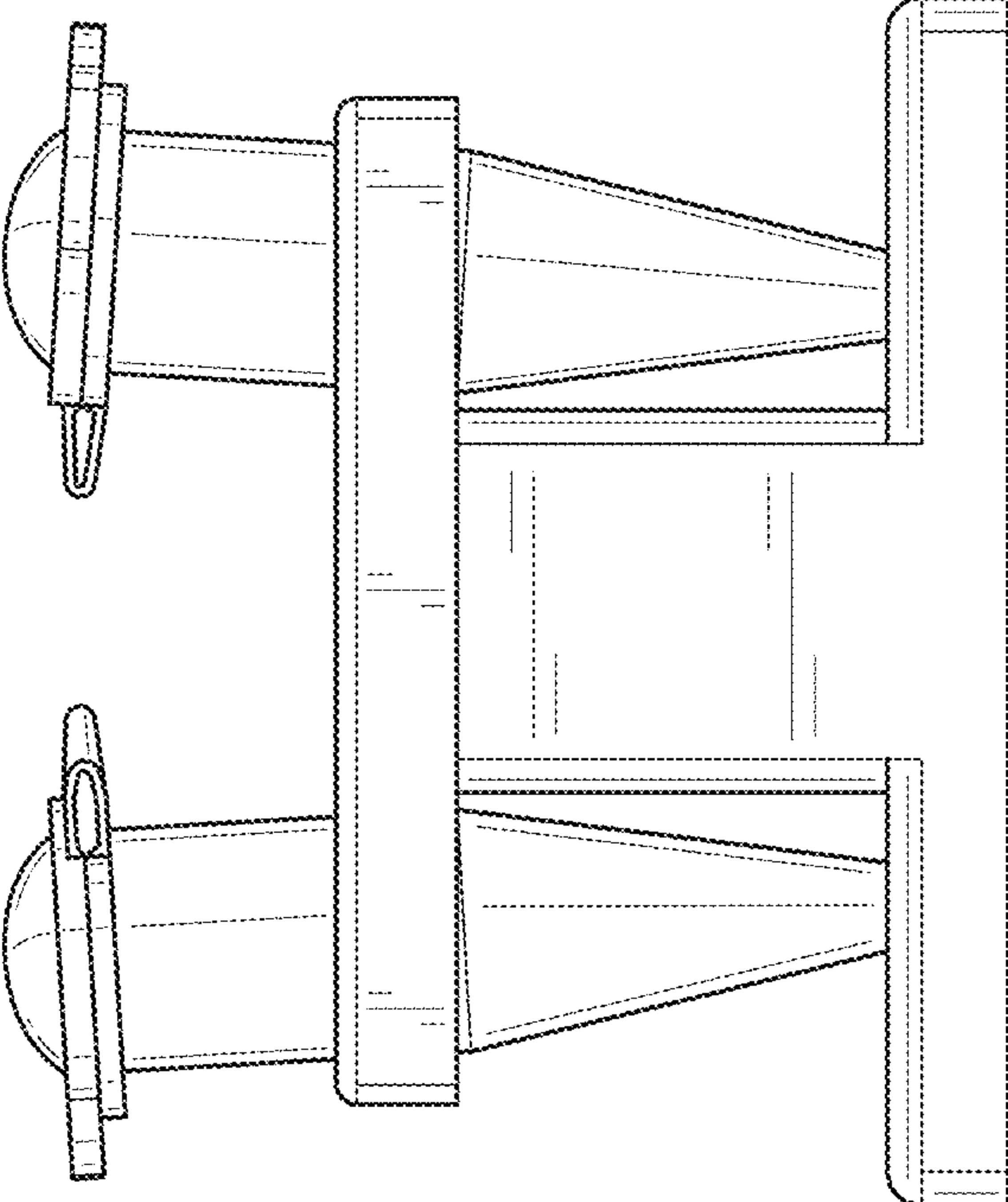


FIG. 5



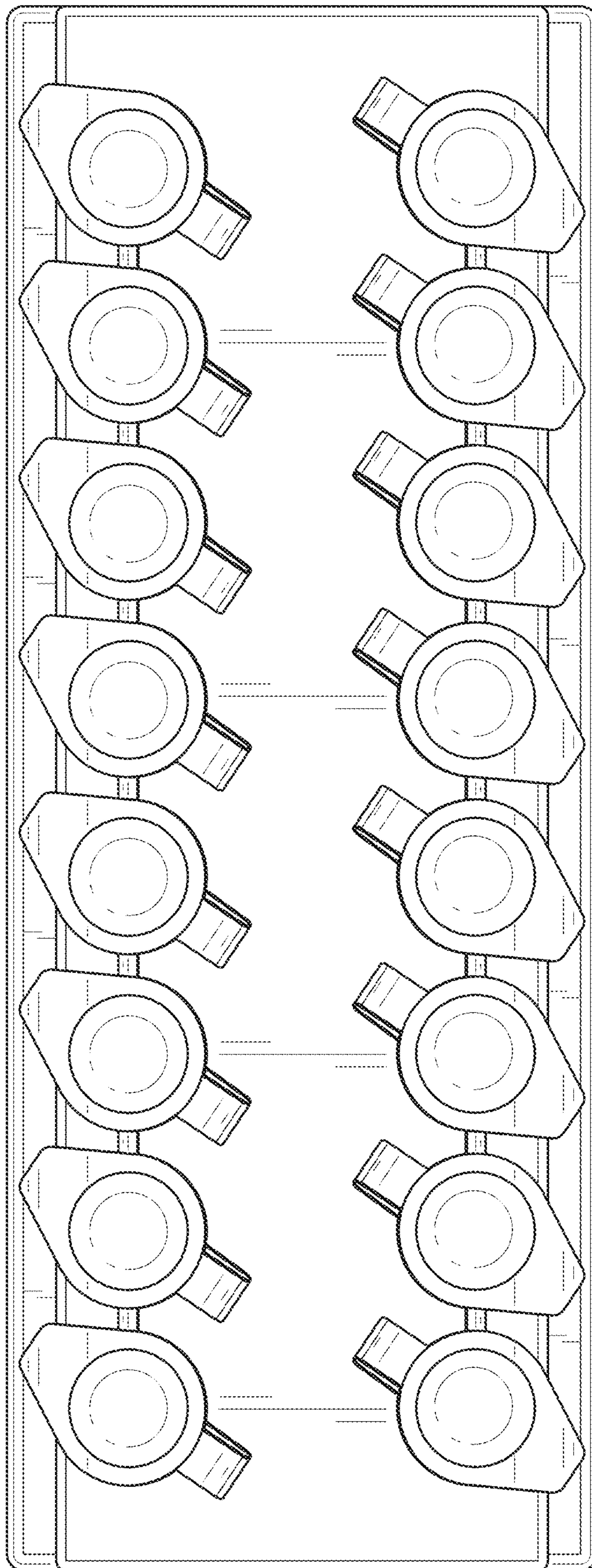


FIG. 6



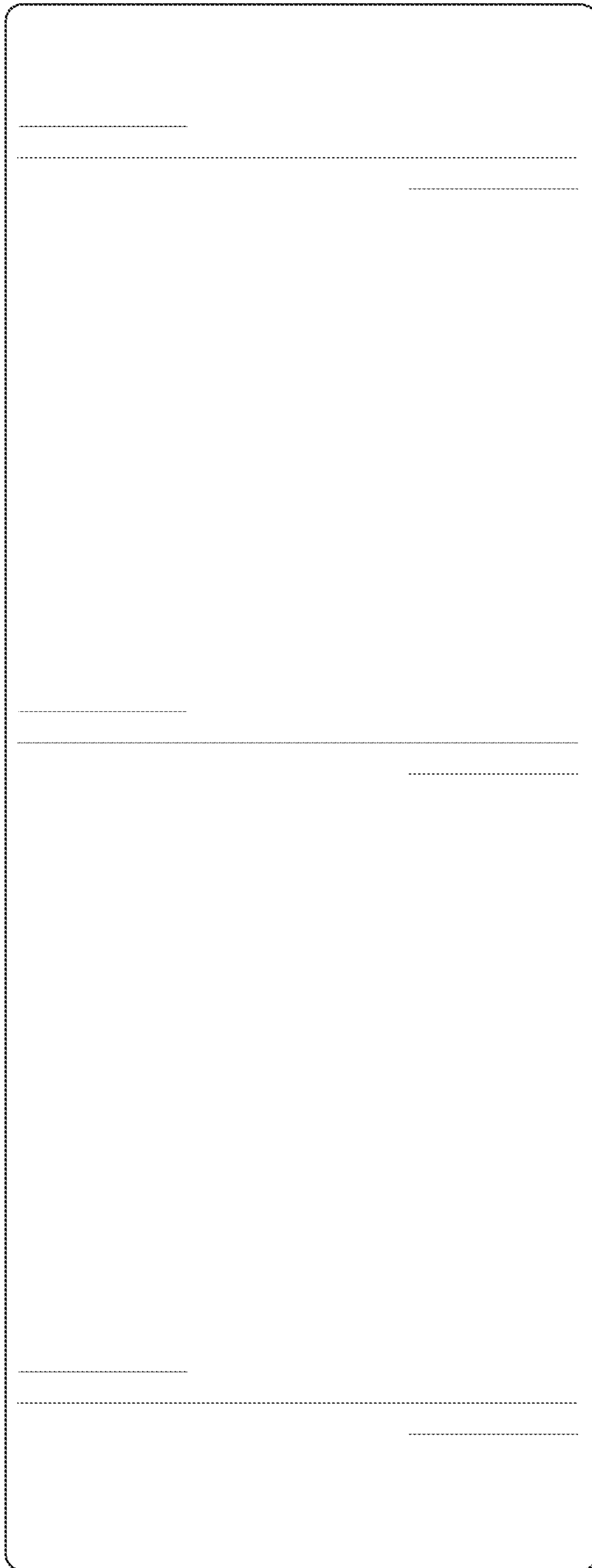


FIG. 7