

US00D898939S

(12) **United States Design Patent** (10) **Patent No.:** **US D898,939 S**
Chou et al. (45) **Date of Patent:** **** Oct. 13, 2020**

(54) **ASSAY PLATE WITH SAMPLE LANDING MARK**

(71) Applicant: **Essenlix Corporation**, Monmouth Junction, NJ (US)

(72) Inventors: **Stephen Y. Chou**, Princeton, NJ (US); **Wei Ding**, East Windsor, NJ (US); **Ji Qi**, Hillsborough, NJ (US); **Hua Tan**, Princeton Junction, NJ (US)

(73) Assignee: **ESSENLIX CORPORATION**, Monmouth Junction, NJ (US)

(**) Term: **15 Years**

(21) Appl. No.: **29/670,798**

(22) Filed: **Nov. 20, 2018**

(51) **LOC (12) Cl.** **24-02**

(52) **U.S. Cl.**
USPC **D24/225; D24/227**

(58) **Field of Classification Search**
USPC D24/216, 223–227, 229–232; D9/537, D9/545, 549; D3/203.1, 203.2
CPC B01L 3/5023
See application file for complete search history.

(56) **References Cited**

U.S. PATENT DOCUMENTS

D305,960	S	*	2/1990	Wolff	D24/232
D325,518	S	*	4/1992	Matkovich	D24/107
5,321,975	A		6/1994	Wardlaw et al.		
D383,215	S	*	9/1997	Levy	D19/26
D389,587	S	*	1/1998	Orell Porrazzo	D24/225
5,948,686	A		9/1999	Wardlaw		
6,017,767	A		1/2000	Chandler		
6,022,734	A		2/2000	Wardlaw		
D438,311	S	*	2/2001	Yamanishi	D24/216
6,235,536	B1		5/2001	Wardlaw		
6,350,613	B1		2/2002	Wardlaw et al.		
6,723,290	B1		4/2004	Wardlaw		

6,866,823	B2		3/2005	Wardlaw		
6,869,570	B2		3/2005	Wardlaw		
6,929,953	B1		8/2005	Wardlaw		
D528,215	S	*	9/2006	Malmsater	D24/216
D596,753	S	*	7/2009	LaStella	D24/216
D598,121	S	*	8/2009	LaStella	D24/216
7,731,901	B2		6/2010	Wardlaw		
7,850,916	B2		12/2010	Wardlaw		
7,903,241	B2		3/2011	Wardlaw et al.		

(Continued)

FOREIGN PATENT DOCUMENTS

GB	3010741	*	2/2003
WO	2017027643		2/2018

(Continued)

OTHER PUBLICATIONS

Essenlix Developed the World's Smallest, Simplest, and Lowest-Cost Blood Count Device. Online, published date unknown. Retrieved on Jan. 17, 2020 from URL: <http://www.essenlix.com/video.php>.*

Primary Examiner — Janice Hallmark
Assistant Examiner — Omeed Agilee

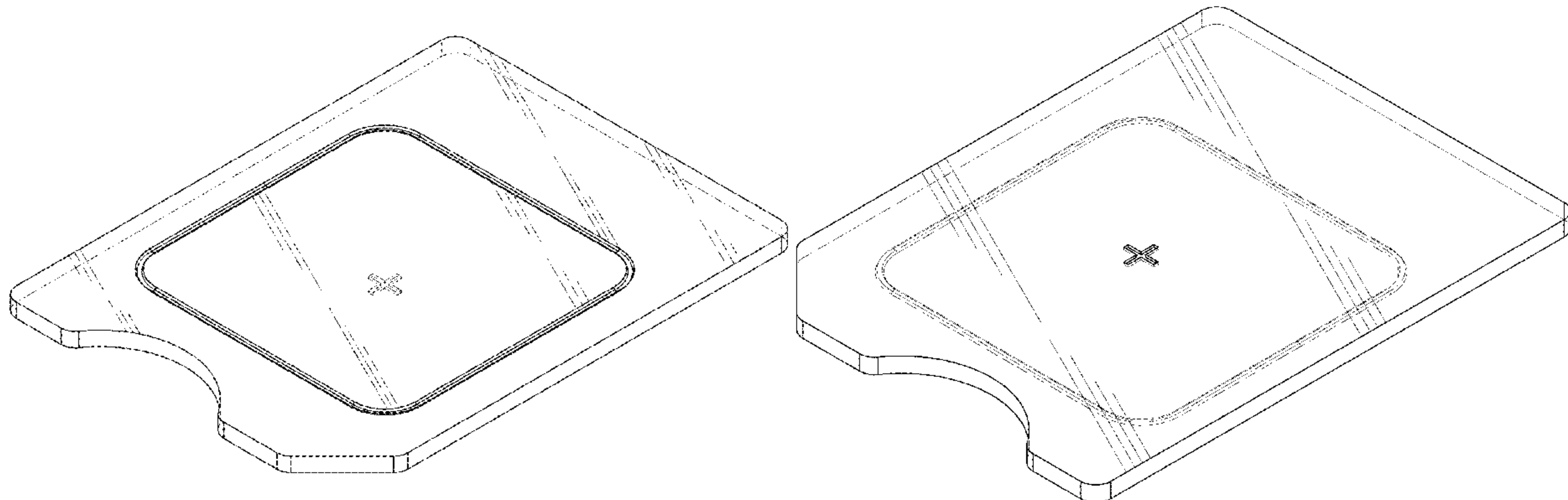
(57) **CLAIM**

The ornamental design for an assay plate with sample landing mark, as shown and described.

DESCRIPTION

FIG. 1 shows a top perspective view of an assay plate with sample landing mark.
FIG. 2 shows a bottom perspective view thereof.
FIG. 3 shows a top view thereof.
FIG. 4 shows a bottom view thereof.
FIG. 5 shows a front view thereof.
FIG. 6 shows a rear view thereof.
FIG. 7 shows a right side view thereof; and,
FIG. 8 shows a left side view thereof.

1 Claim, 8 Drawing Sheets



(56)

References Cited

U.S. PATENT DOCUMENTS

7,929,121	B2	4/2011	Wardlaw et al.	
7,929,122	B2	4/2011	Wardlaw et al.	
7,995,194	B2	8/2011	Wardlaw et al.	
8,045,165	B2	10/2011	Wardlaw et al.	
8,077,296	B2	12/2011	Wardlaw et al.	
8,158,434	B2	4/2012	Wardlaw	
8,221,985	B2	7/2012	Wardlaw et al.	
8,241,572	B2	8/2012	Wardlaw	
8,310,658	B2	11/2012	Wardlaw et al.	
8,310,659	B2	11/2012	Wardlaw et al.	
8,319,954	B2	11/2012	Wardlaw et al.	
8,326,008	B2	12/2012	Lalpuria et al.	
8,367,012	B2	2/2013	Wardlaw	
8,467,063	B2	6/2013	Wardlaw et al.	
D691,057	S *	10/2013	Akers, Jr.	D10/81
8,569,076	B2	10/2013	Wardlaw et al.	
8,638,427	B2	1/2014	Wardlaw et al.	
D699,369	S *	2/2014	Fonseca	D24/224
8,842,264	B2	9/2014	Wardlaw et al.	
8,885,154	B2	11/2014	Wardlaw et al.	
8,974,732	B2	3/2015	Lalpuria et al.	
9,084,995	B2	7/2015	Wardlaw	
9,199,233	B2	12/2015	Wardlaw	
9,274,094	B2	3/2016	Wardlaw et al.	
9,322,835	B2	4/2016	Wardlaw	
D800,336	S *	10/2017	Chang	D24/224
D803,416	S *	11/2017	Leaver	D24/224

D806,890	S *	1/2018	Williams	D24/216
D834,200	S *	11/2018	Bates	D24/186
2006/0246598	A1	11/2006	Dai et al.	
2013/0344616	A1*	12/2013	Triva	436/174
2018/0156775	A1	6/2018	Chou et al.	
2018/0157058	A1	6/2018	Chou et al.	
2018/0202903	A1	7/2018	Chou et al.	
2018/0246089	A1	8/2018	Chou et al.	

FOREIGN PATENT DOCUMENTS

WO	2017048871	3/2018
WO	2018107105	6/2018
WO	2018119318	6/2018
WO	2018148342	8/2018
WO	2018148469	8/2018
WO	2018148470	8/2018
WO	2018148471	8/2018
WO	2018148606	8/2018
WO	2018148607	8/2018
WO	2018148609	8/2018
WO	2018148729	8/2018
WO	2018148764	8/2018
WO	2018152005	8/2018
WO	2018152351	8/2018
WO	2018152421	8/2018
WO	2018152422	8/2018
WO	2018195528	10/2018

* cited by examiner

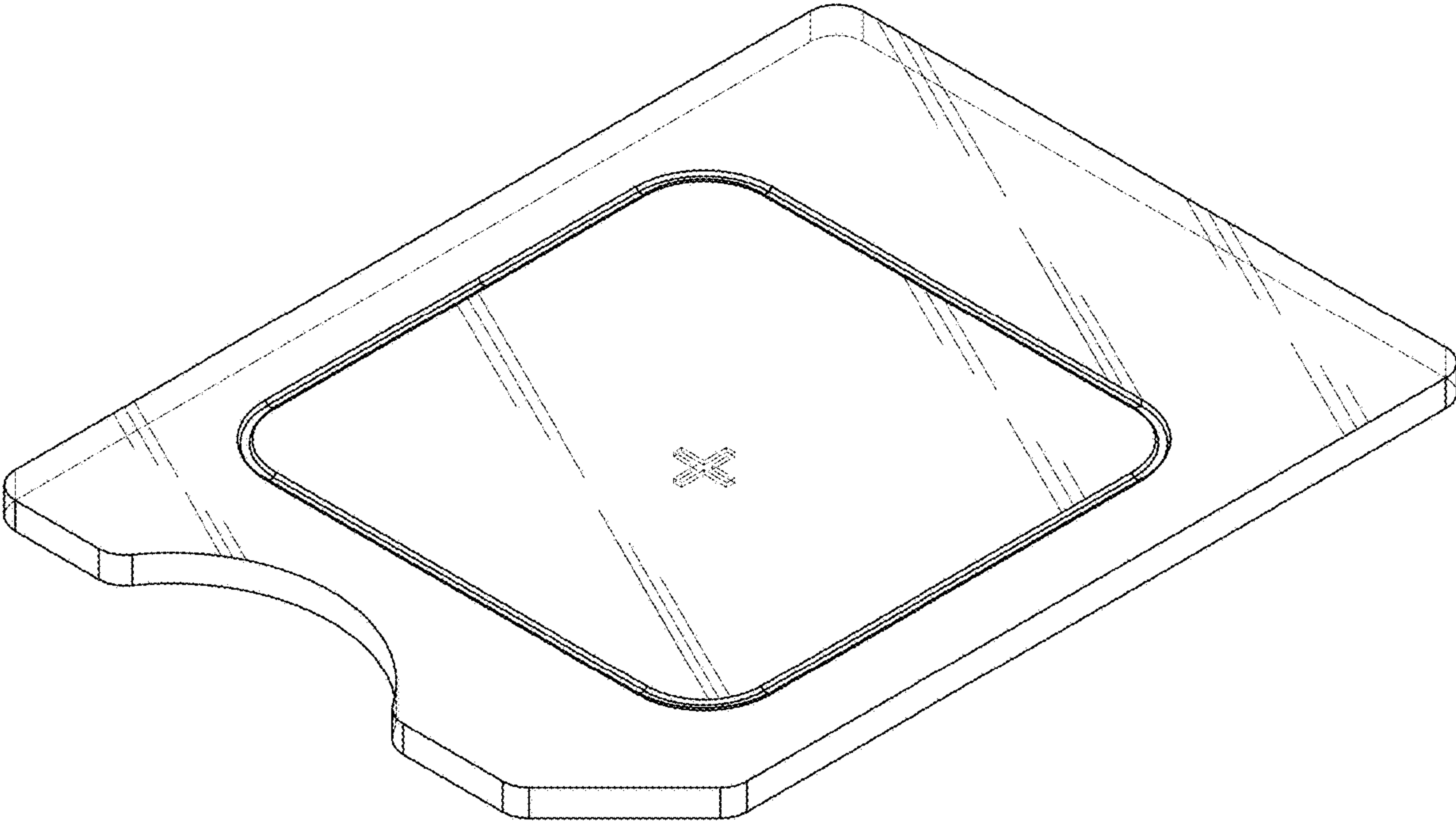


Fig. 1

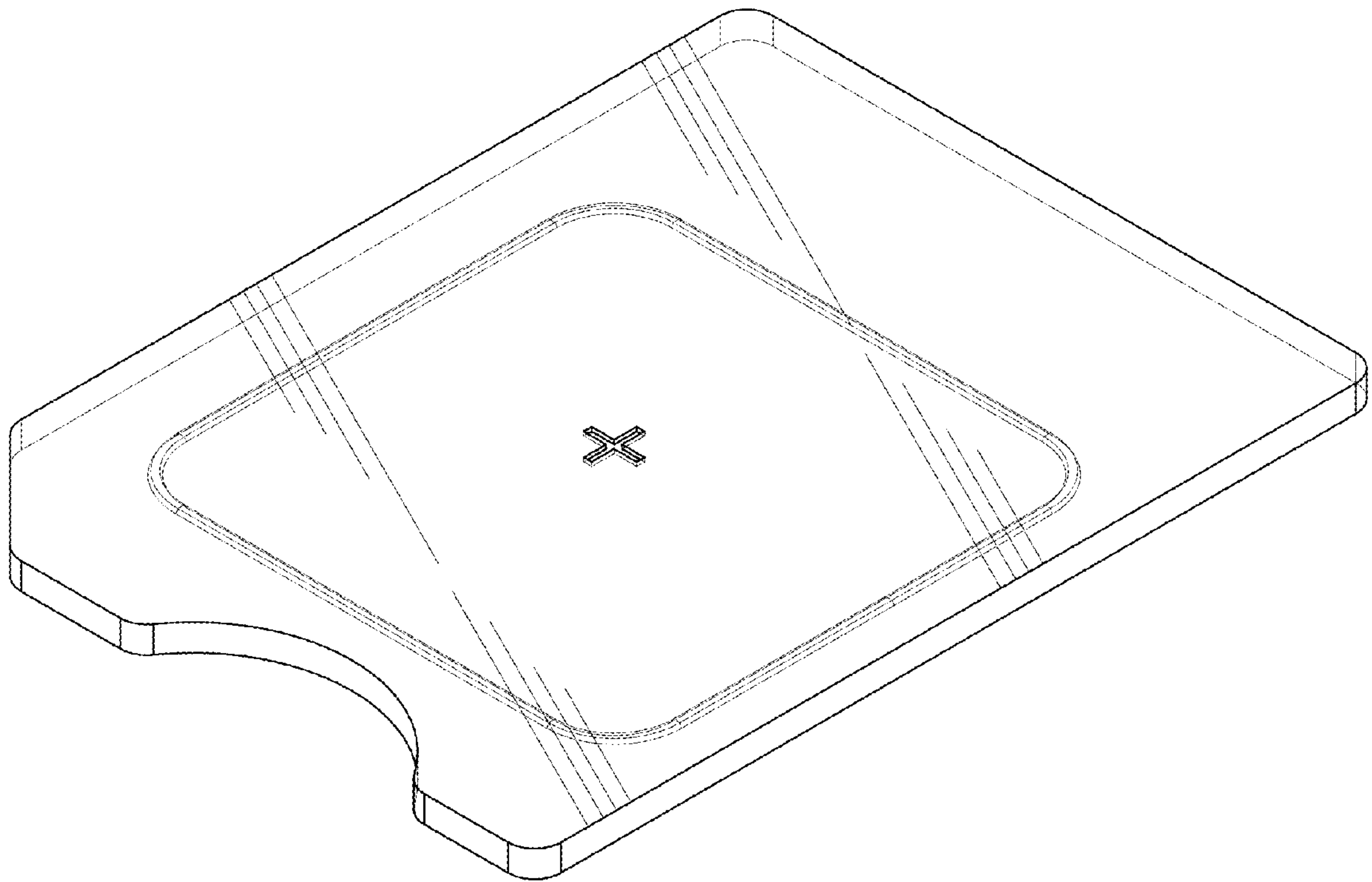


Fig. 2

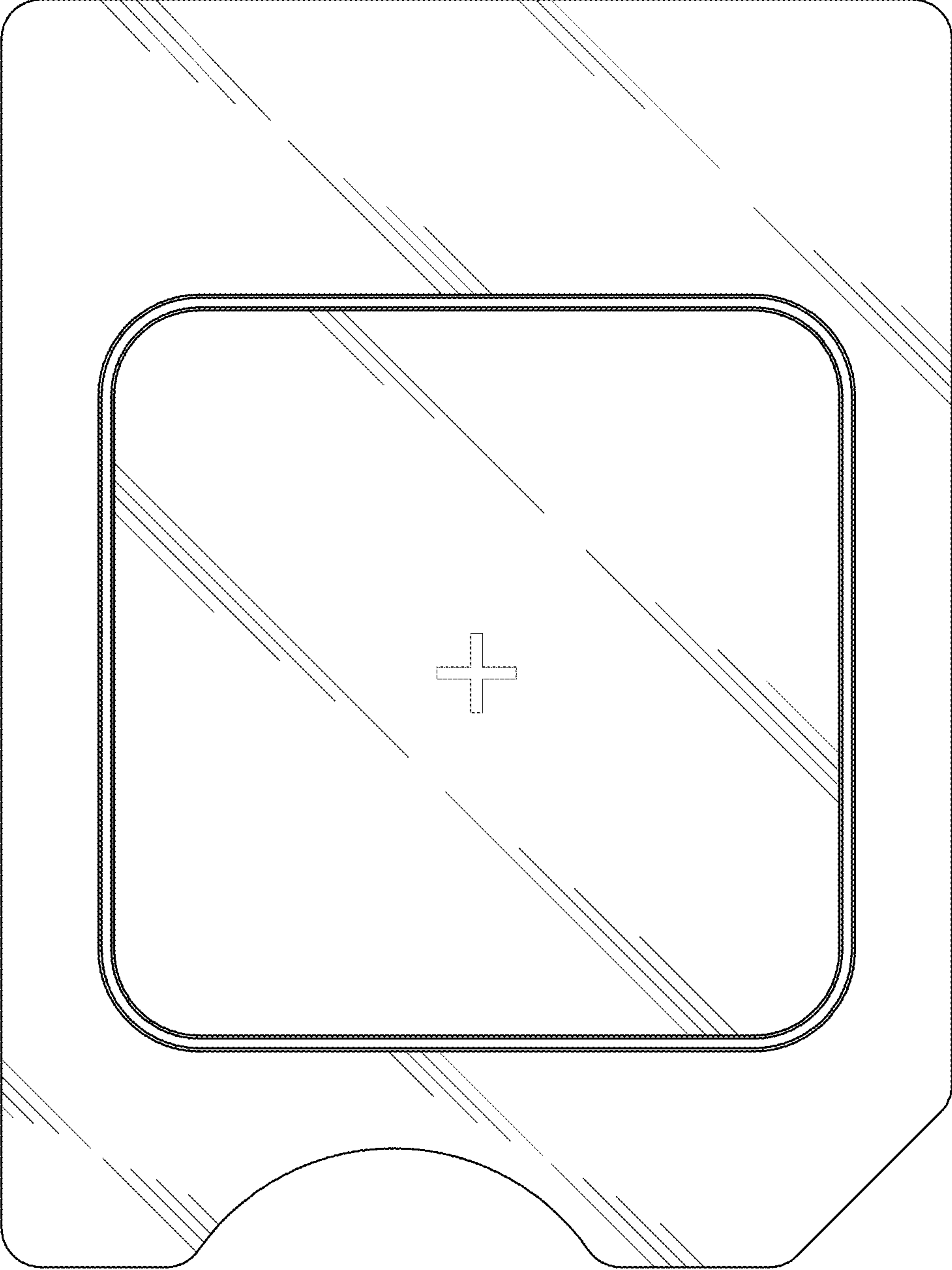


Fig. 3

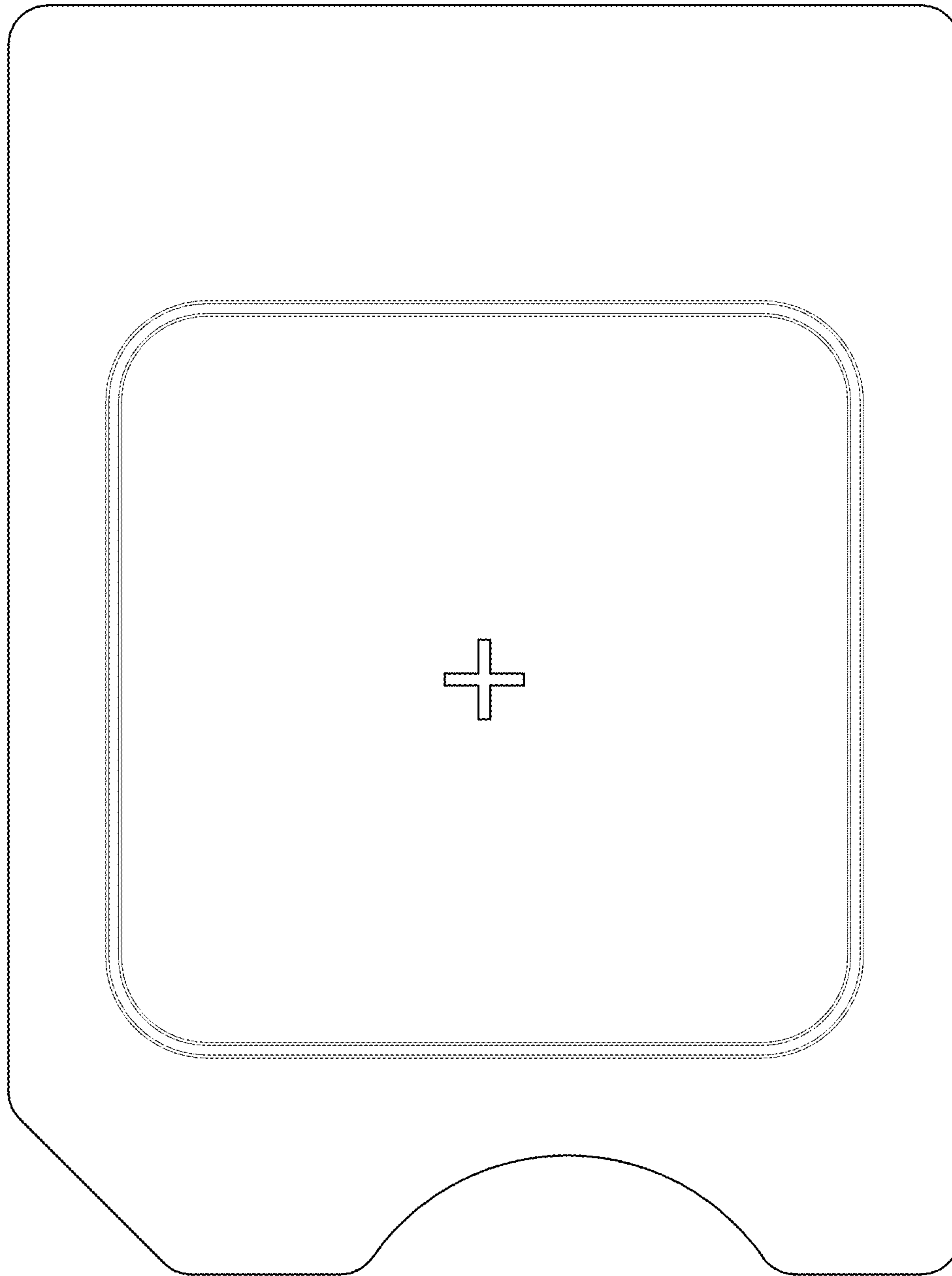


Fig. 4



Fig. 5



Fig. 6



Fig. 7



Fig. 8