



US00D898938S

(12) **United States Design Patent**
Hummel

(10) **Patent No.:** **US D898,938 S**

(45) **Date of Patent:** **** Oct. 13, 2020**

- (54) **MULTICHANNEL TRANSFER PIPETTING UNIT**
- (71) Applicant: **BRAND GMBH + CO KG**, Wertheim (DE)
- (72) Inventor: **Ursula Hummel**, Aschaffenburg (DE)
- (73) Assignee: **BRAND GMBH + CO KG**, Wertheim (DE)
- (**) Term: **15 Years**

(21) Appl. No.: **29/673,738**

(22) Filed: **Dec. 18, 2018**

(51) **LOC (12) Cl.** **24-02**

(52) **U.S. Cl.**
USPC **D24/222**

(58) **Field of Classification Search**
USPC D24/216, 222–226, 231, 232
CPC B65D 25/108; B01L 9/543; B01L 3/0217;
B01L 3/0279
See application file for complete search history.

(56) **References Cited**

U.S. PATENT DOCUMENTS

- D279,710 S * 7/1985 Yonkers D24/222
- 5,092,184 A * 3/1992 Goodell B01L 3/0217
422/923
- 5,779,984 A * 7/1998 Kelly B65D 25/108
206/486
- D589,625 S 3/2009 Alejos
(Continued)

FOREIGN PATENT DOCUMENTS

EM 005803418-0002 * 10/2018

OTHER PUBLICATIONS

Multi Channel Pipette. Online, published date unknown. Retrieved on Mar. 20, 2020 from URL: <https://www.indiamart.com/proddetail/multi-channel-pipette-17649466512.html>.*

(Continued)

Primary Examiner — Susan Bennett Hattan
Assistant Examiner — Omeed Agilee
(74) *Attorney, Agent, or Firm* — David S. Safran; Roberts Calderon Safran & Cole, P.C.

(57) **CLAIM**

The ornamental design for a multichannel transfer pipetting unit, as shown and described.

DESCRIPTION

FIG. 1 is a front perspective view of a multichannel transfer pipetting unit in accordance with my design showing the pipettes attached;

FIG. 2 is a front elevational view of FIG. 1;

FIG. 3 is a rear elevational view of FIG. 1;

FIG. 4 is a top plan view of FIG. 1;

FIG. 5 is a bottom plan view of FIG. 1;

FIGS. 6 & 7 are left and right side elevational views of FIG. 1;

FIG. 8 is a front perspective view of the multichannel transfer pipetting unit in accordance with my design showing the pipettes removed from the figure to show details not otherwise discernible from the drawings;

FIG. 9 is a front elevational view of the design shown in FIG. 8;

FIG. 10 is a rear elevational view of the design shown in FIG. 8;

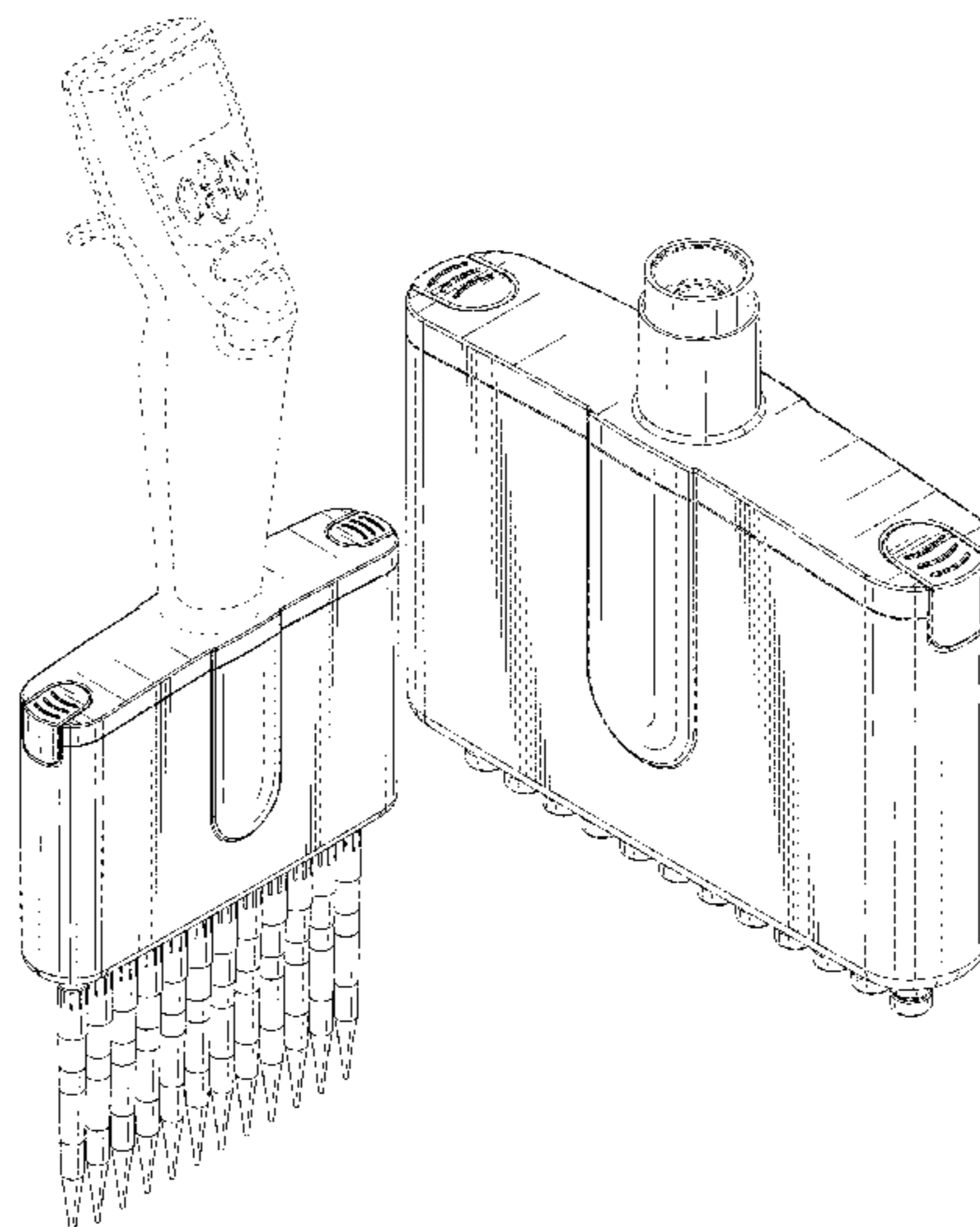
FIG. 11 is a top plan view of the design shown in FIG. 8;

FIG. 12 is a bottom plan view of the design shown in FIG. 8; and,

FIGS. 13 & 14 are left and right side elevational views of the design shown in FIG. 8.

The broken lines in FIGS. 1-7 depict environmental subject matter and form no part of the claimed design. The broken lines in FIGS. 8, 11, and 12 depict portions of the multichannel transfer pipetting unit that form no part of the claimed design.

1 Claim, 9 Drawing Sheets



(56)

References Cited

U.S. PATENT DOCUMENTS

D596,755 S * 7/2009 Labak D24/222
D599,030 S * 8/2009 Cote D24/222
D627,477 S * 11/2010 Guichardon D24/222
D627,478 S * 11/2010 Guichardon D24/222
8,011,257 B2 9/2011 Kneucker et al.
D772,426 S * 11/2016 Sanchez D24/222
2001/0043885 A1 * 11/2001 Wanner B01L 3/0231
422/501
2008/0184823 A1 * 8/2008 Kneucker B01L 3/0217
73/864.16
2009/0064801 A1 * 3/2009 Roussel B01L 3/0217
73/864.13
2012/0121483 A1 * 5/2012 Pullinen B01L 3/0217
422/525
2014/0199216 A1 7/2014 Moriarty et al.

OTHER PUBLICATIONS

Anonymous: Transferpette ® electronic, Brand brochure, undated,
Germany.

* cited by examiner

FIG. 1

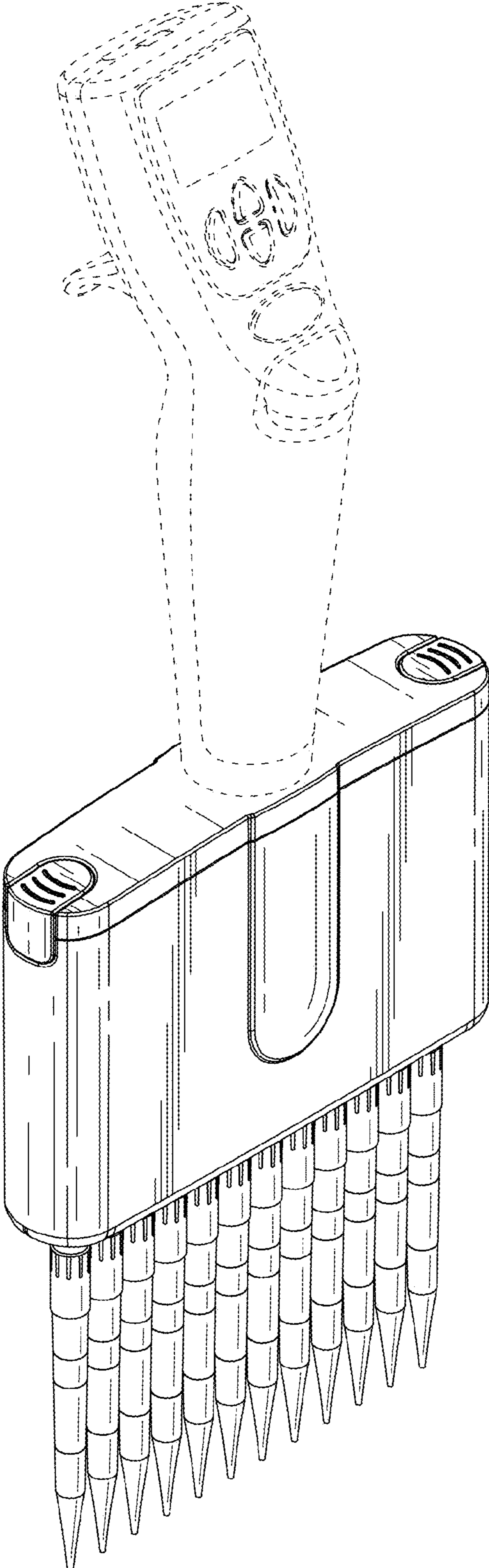


FIG. 2

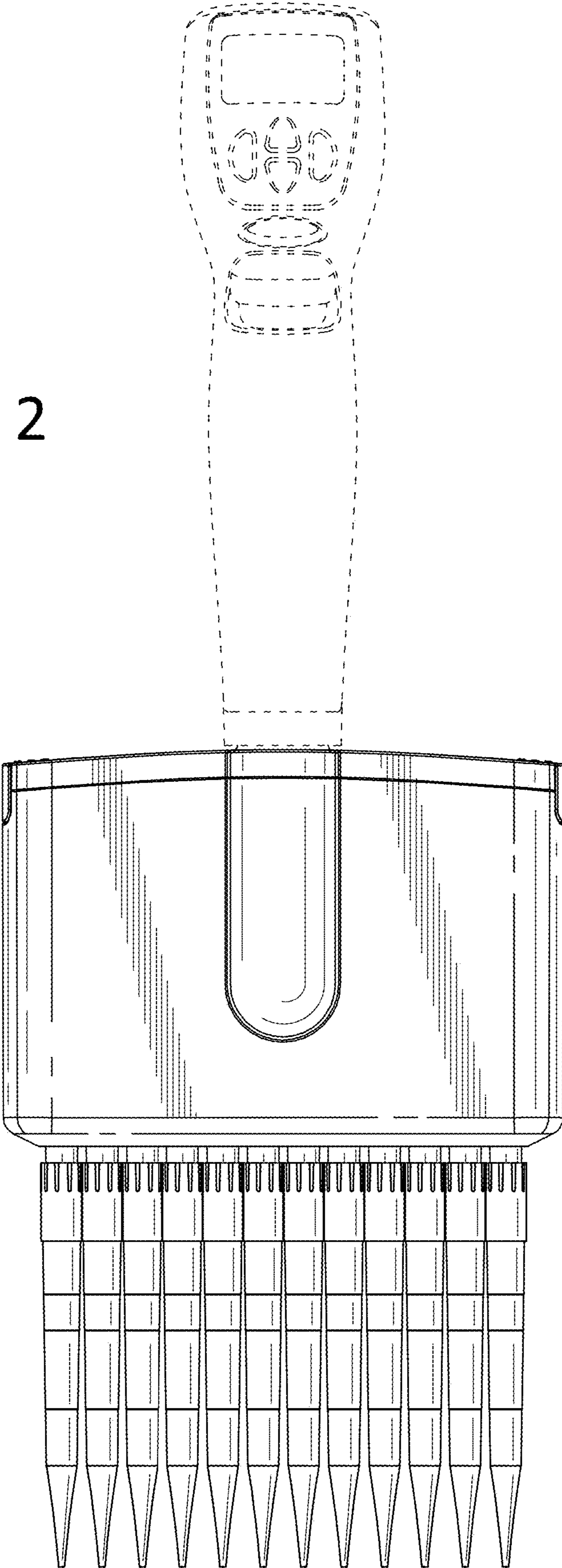
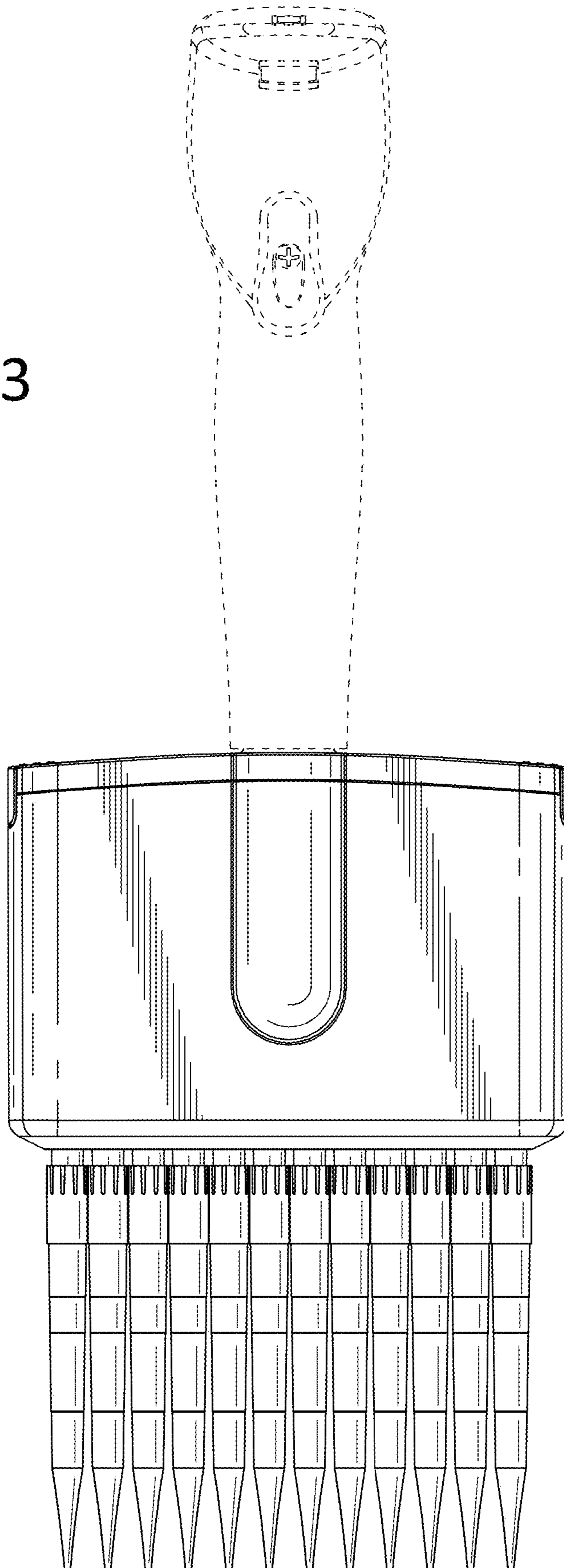


FIG. 3



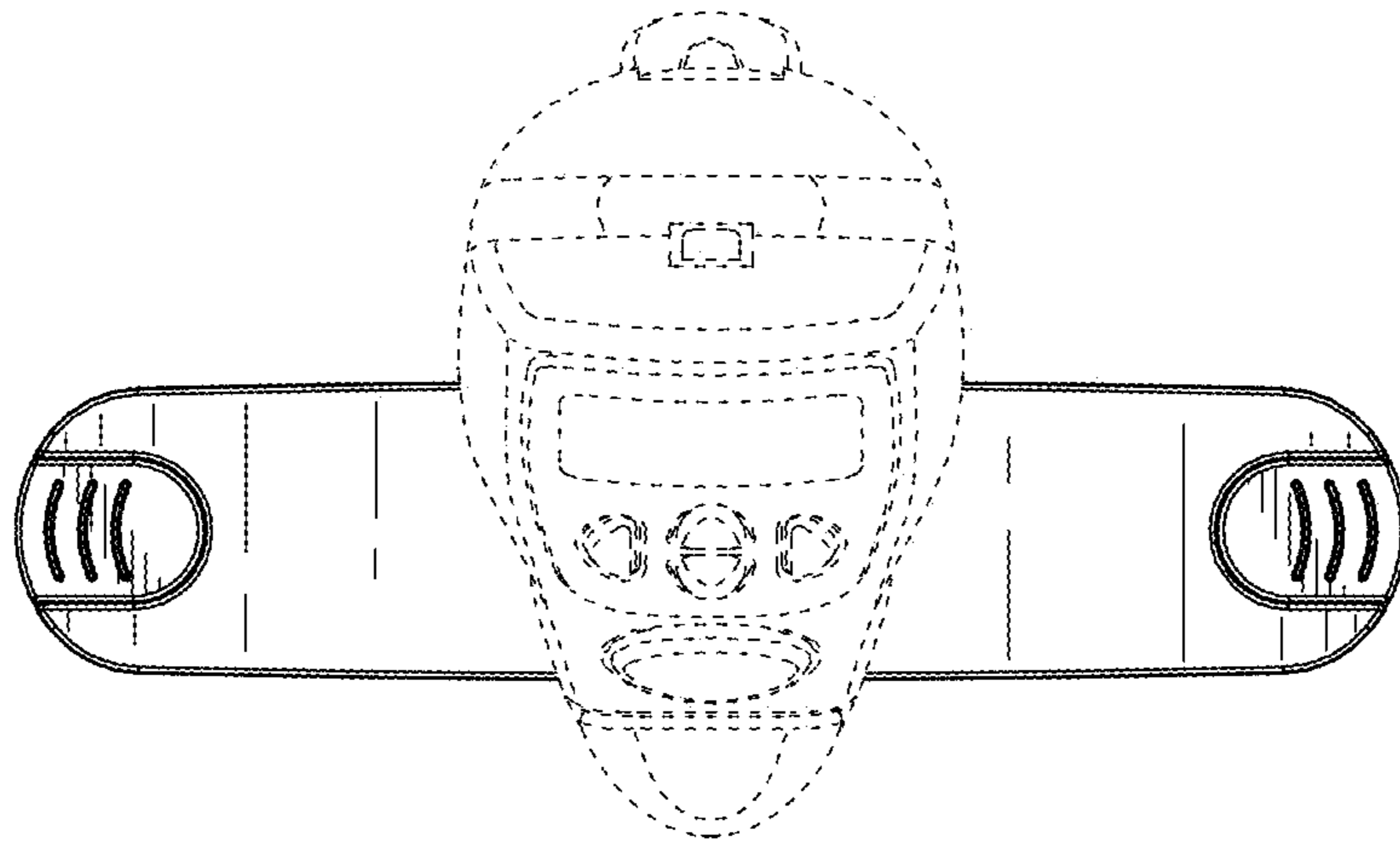


FIG. 4

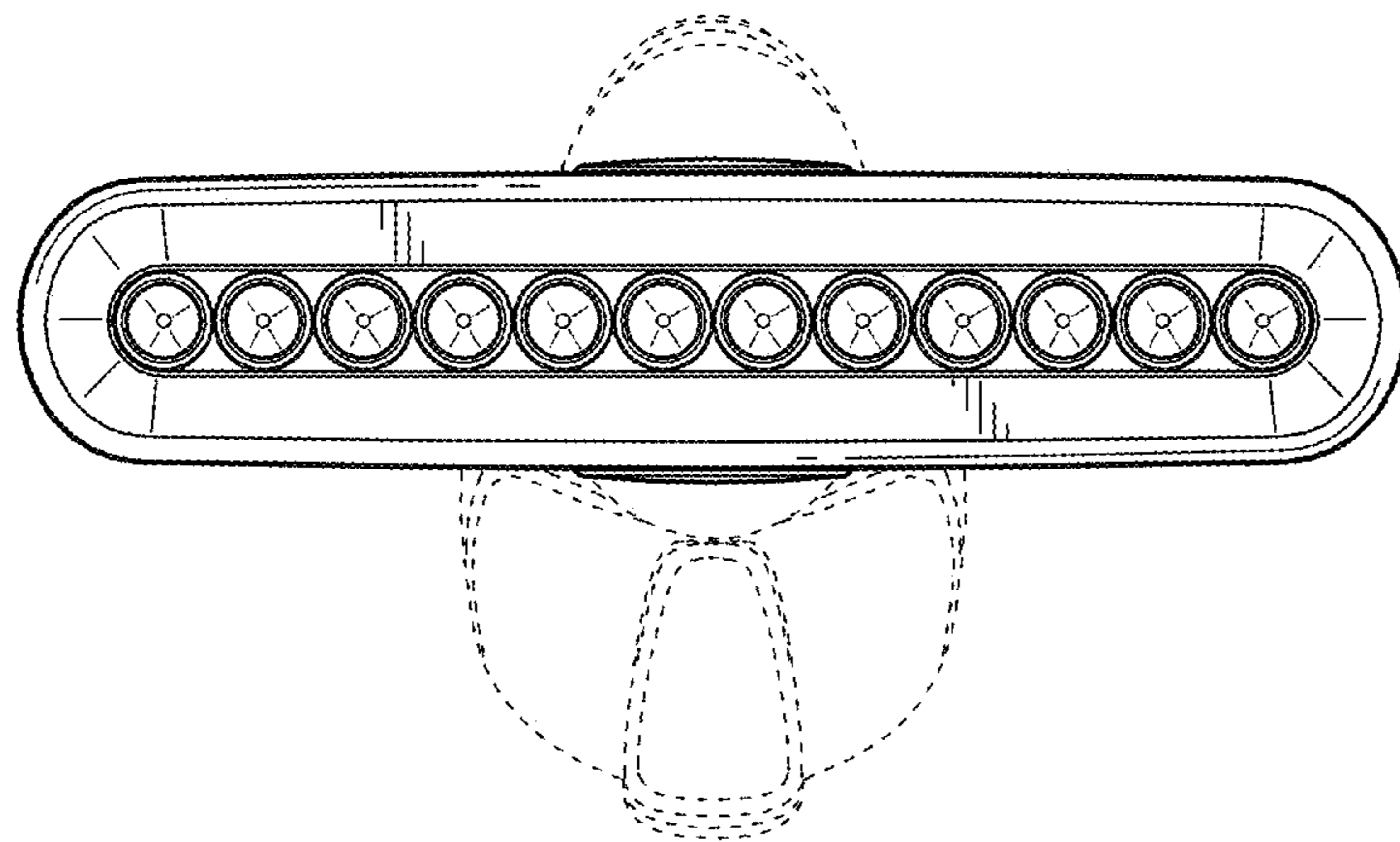


FIG. 5

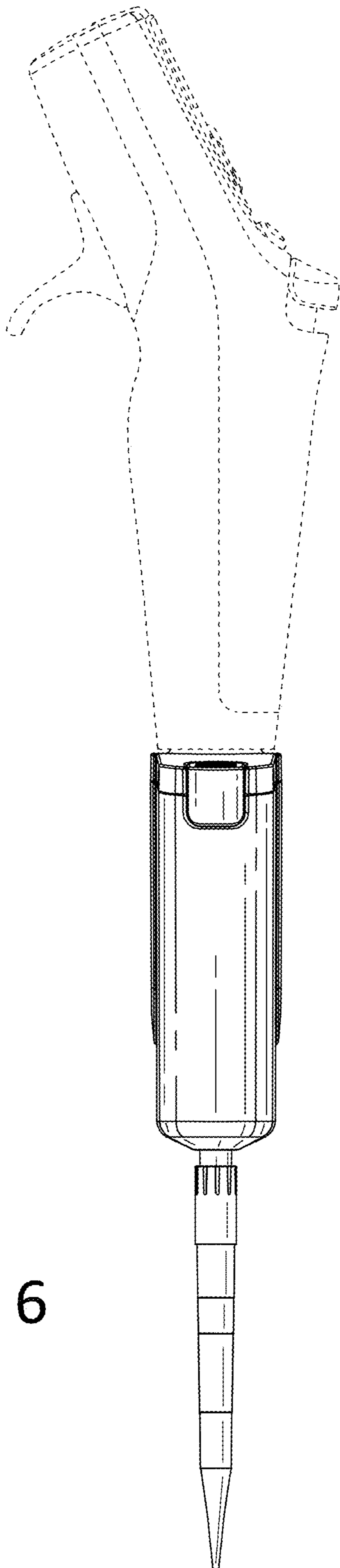


FIG. 6

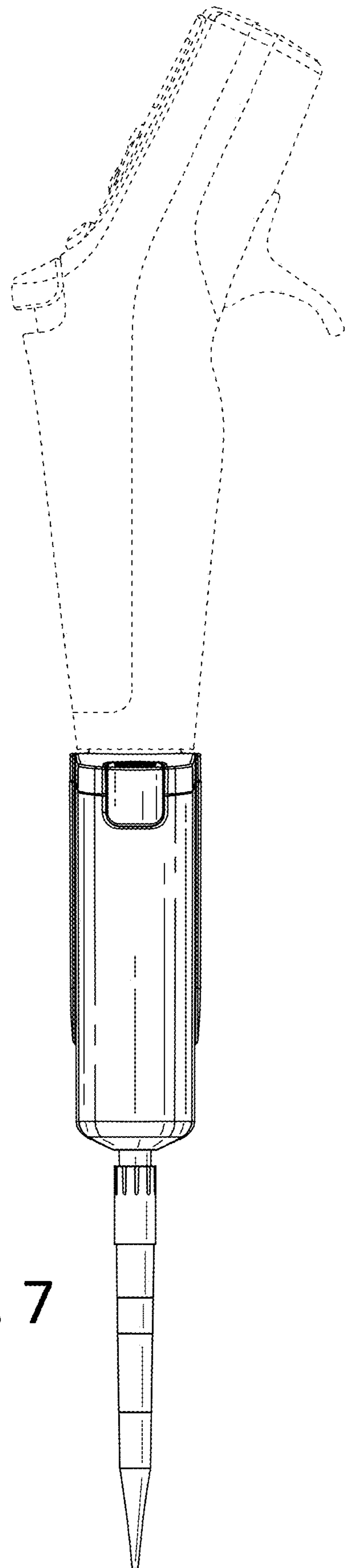


FIG. 7

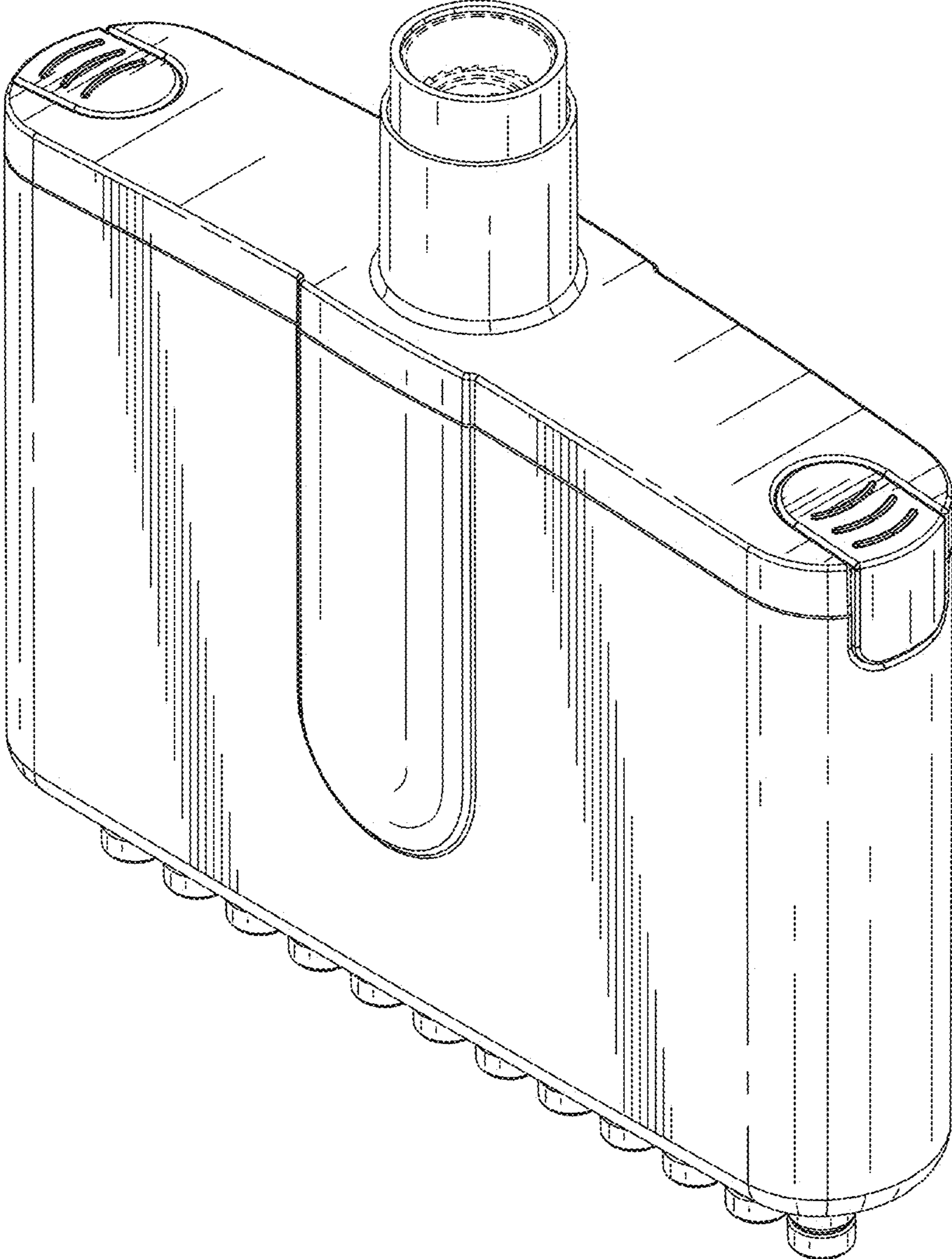


FIG. 8

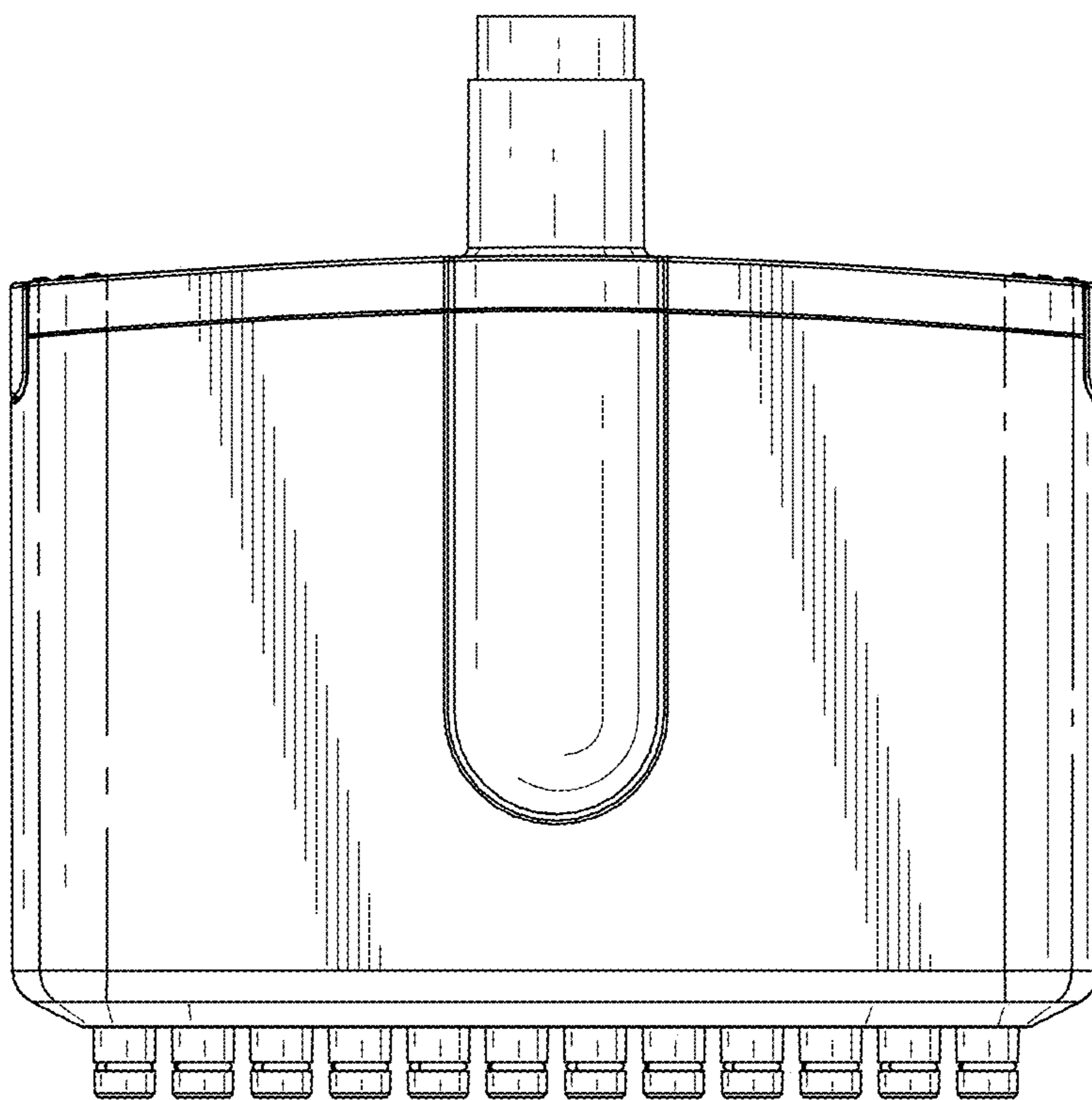


FIG. 9

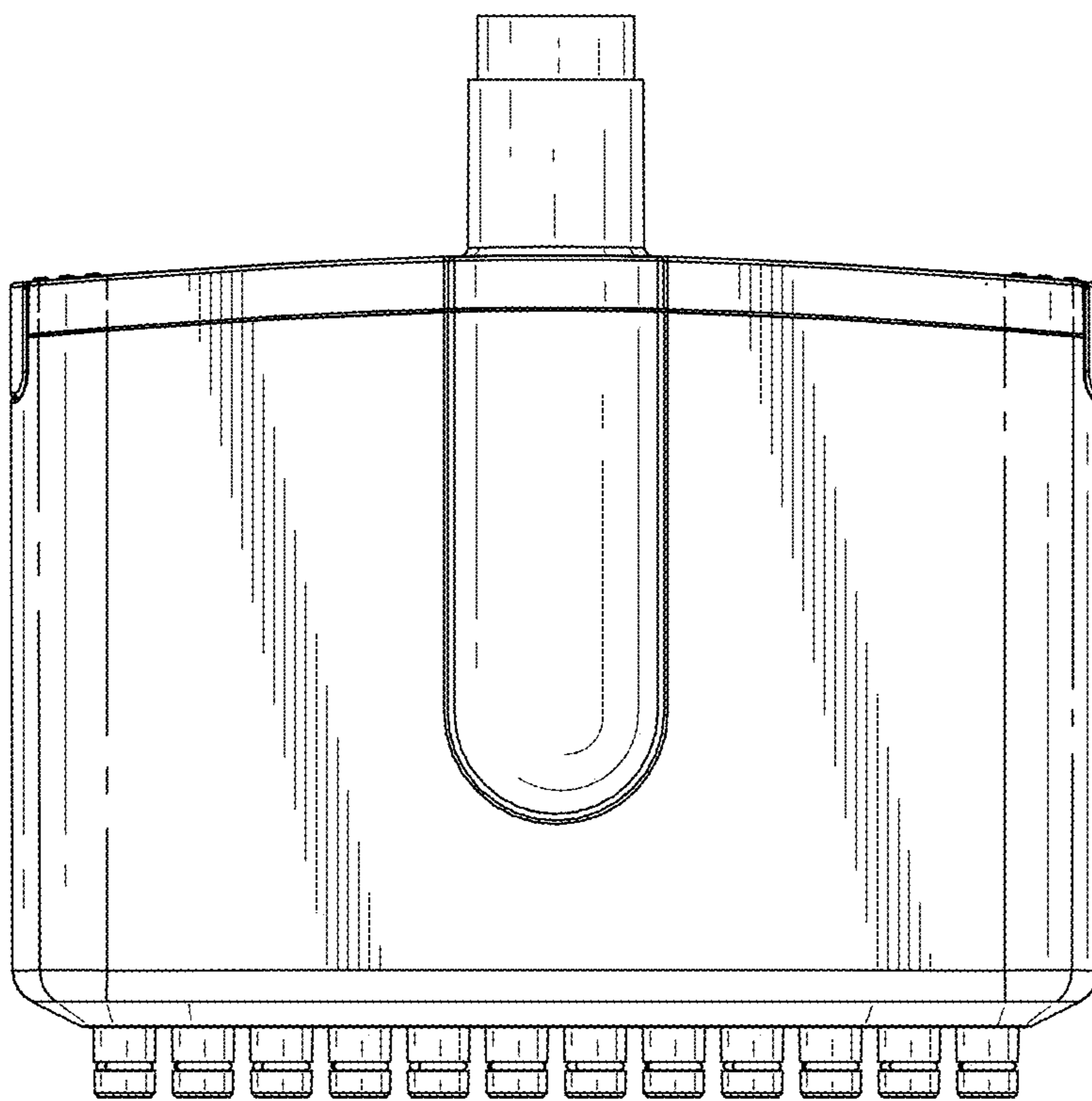


FIG. 10

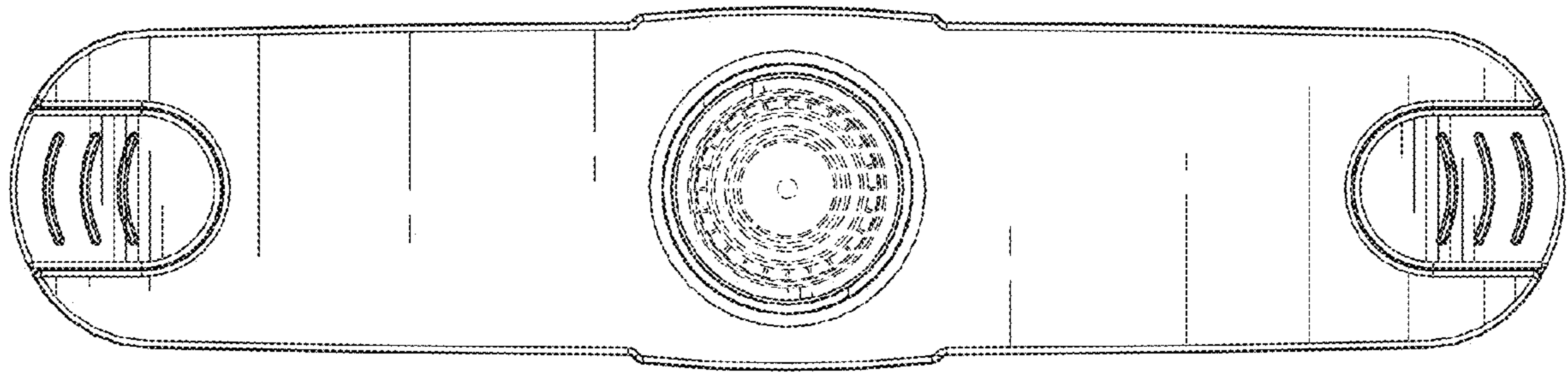


FIG. 11

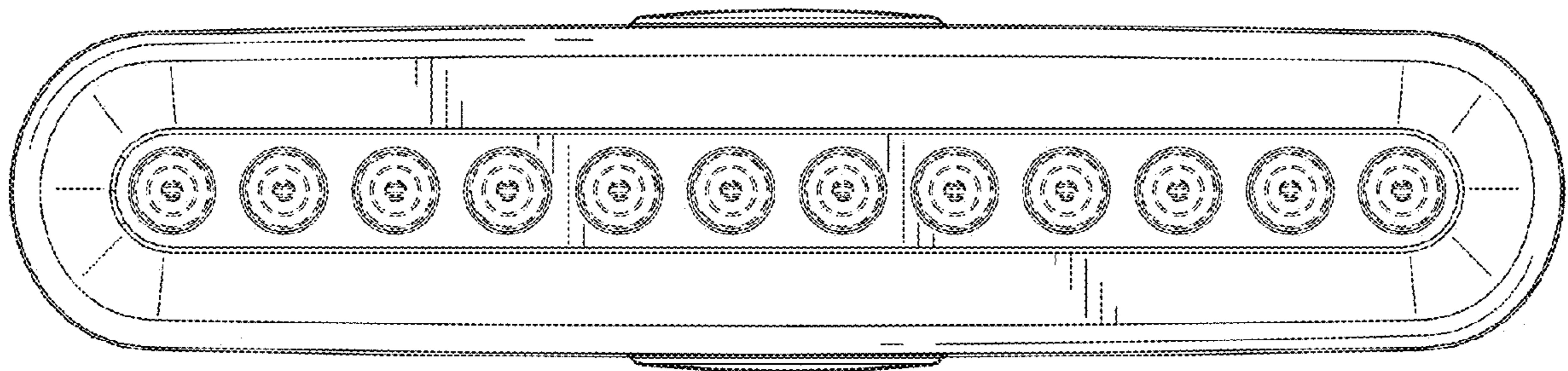


FIG. 12

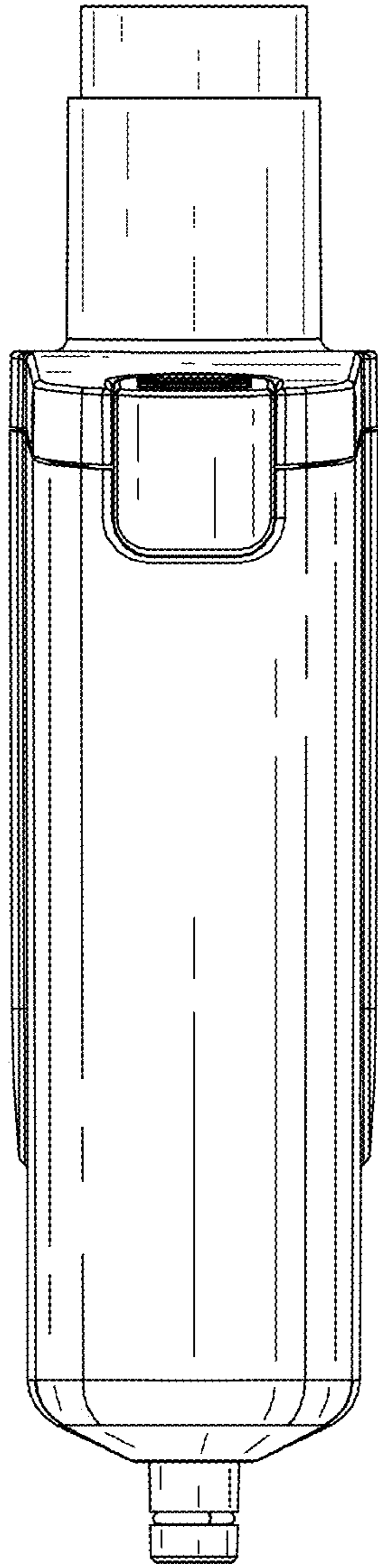


FIG. 13

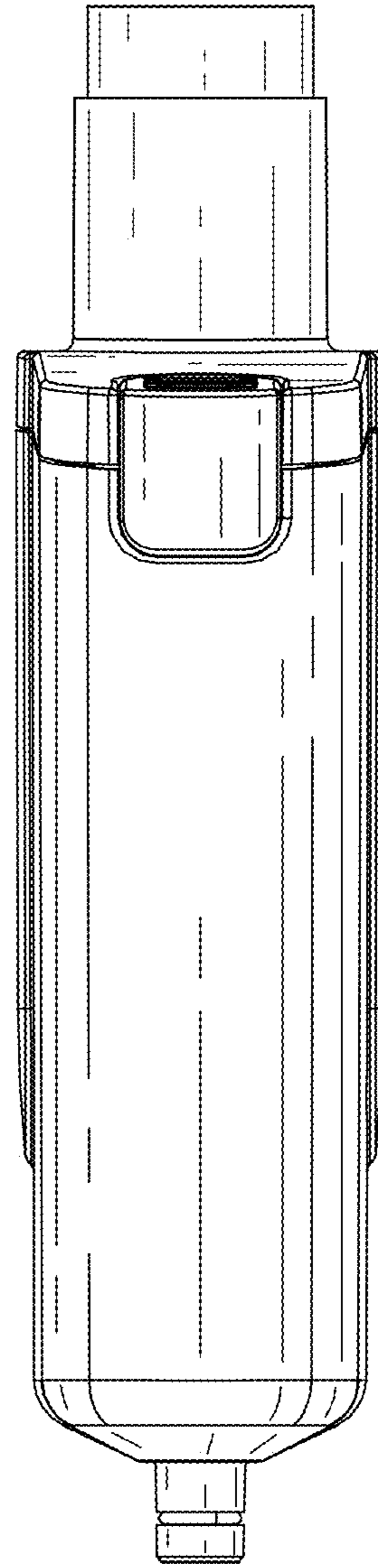


FIG. 14