



US00D898934S

(12) **United States Design Patent**  
**Feinberg**

(10) **Patent No.:** **US D898,934 S**

(45) **Date of Patent:** **\*\* Oct. 13, 2020**

(54) **MESSAGE HEAD**

(71) Applicant: **Leslie S. Feinberg**, Hermiston, OR  
(US)

(72) Inventor: **Leslie S. Feinberg**, Hermiston, OR  
(US)

(\*\*) Term: **15 Years**

(21) Appl. No.: **29/678,056**

(22) Filed: **Jan. 25, 2019**

(51) **LOC (12) Cl.** ..... **28-03**

(52) **U.S. Cl.**  
USPC ..... **D24/215**

(58) **Field of Classification Search**  
USPC ..... 601/99, 114, 118, 120, 121, 124, 125,  
601/130, 131, 134-137; D24/200, 211,  
D24/212, 213, 214, 215; D30/160;  
600/38, 39, 40, 41  
CPC .. A61H 1/00; A61H 2201/0153; A61H 7/003;  
A61H 7/007  
See application file for complete search history.

(56) **References Cited**

**U.S. PATENT DOCUMENTS**

D260,928 S *	9/1981	Gueret .....	D24/211
D280,664 S *	9/1985	Ishida .....	D24/211
D288,847 S *	3/1987	Kaaser .....	D24/211
D344,137 S *	2/1994	Yoo .....	D24/200
D344,591 S *	2/1994	Zhuang .....	D24/211
D346,449 S *	4/1994	Cheng .....	D24/211
5,413,551 A *	5/1995	Wu .....	A61H 15/00 601/131
D378,968 S *	4/1997	Martin .....	D24/212
6,478,756 B1 *	11/2002	Chen .....	A47K 7/026 601/134
D514,328 S *	2/2006	Huang .....	D24/211

D542,418 S *	5/2007	Chen .....	D24/211
D694,415 S *	11/2013	Viner .....	D24/213
D719,273 S *	12/2014	Chen .....	D24/215
D719,274 S *	12/2014	Chen .....	D24/215
D744,113 S *	11/2015	Matsushita .....	D24/211
D749,747 S *	2/2016	Nanjyo .....	D24/211
D833,029 S *	11/2018	Guenst .....	D24/215
D845,499 S *	4/2019	Wersland .....	D24/211
D845,500 S *	4/2019	Wersland .....	D24/211
D849,260 S *	5/2019	Wersland .....	D24/211
D849,261 S *	5/2019	Wersland .....	D24/211
D850,639 S *	6/2019	Wersland .....	D24/211
D850,640 S *	6/2019	Wersland .....	D24/211
D861,260 S *	9/2019	Cunniff .....	D30/199
D865,987 S *	11/2019	Jacobs .....	D24/214
D868,278 S *	11/2019	Smith .....	D24/211
D868,280 S *	11/2019	Smith .....	D24/215
2004/0254508 A1 *	12/2004	Lee .....	A61H 7/003 601/119
2006/0142678 A1 *	6/2006	Hecht .....	A61H 39/04 601/135

\* cited by examiner

*Primary Examiner* — Cynthia Ramirez

*Assistant Examiner* — Michael A Maharajh

(74) *Attorney, Agent, or Firm* — Carl D. Crowell

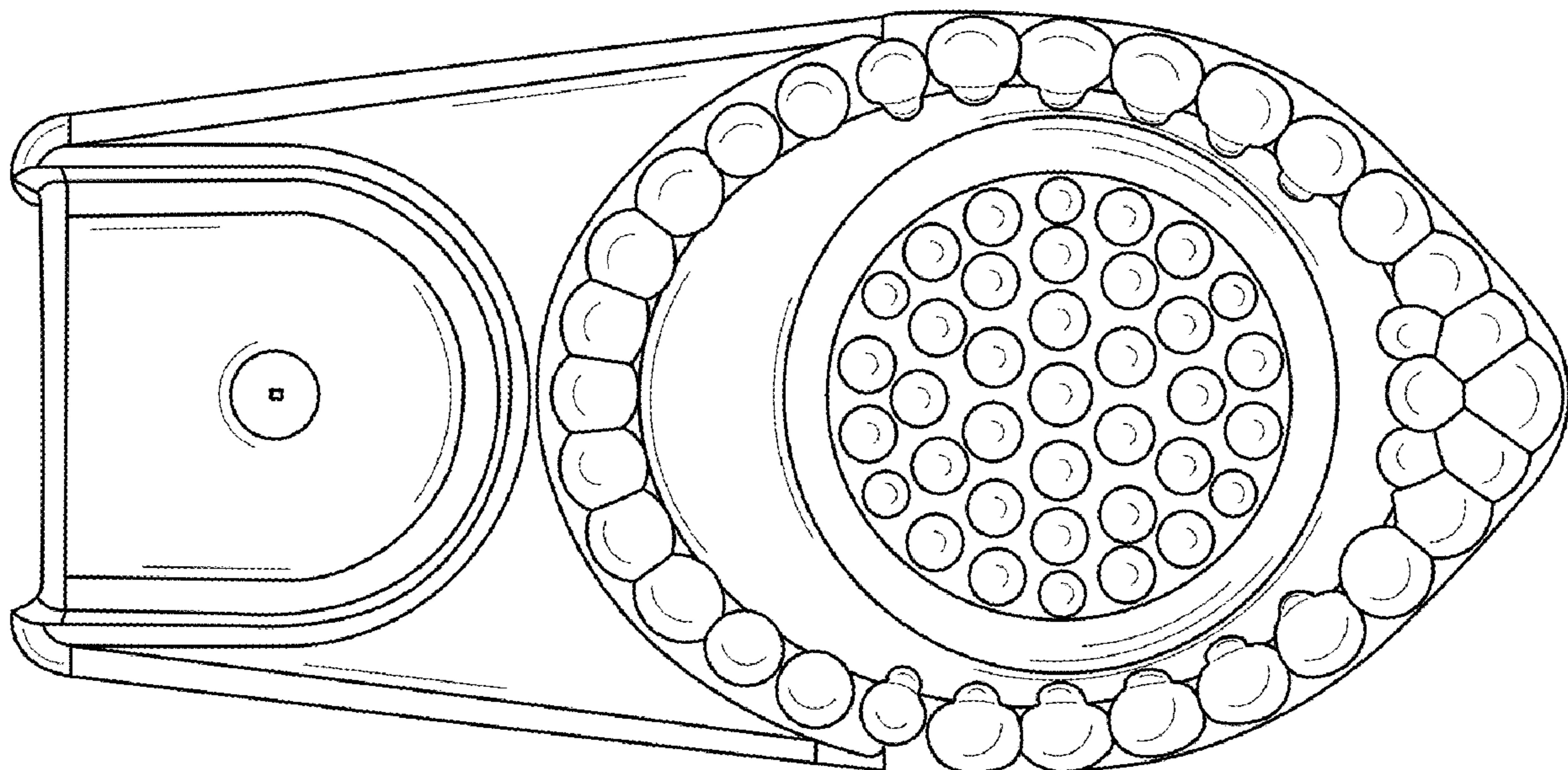
(57) **CLAIM**

The ornamental design for a massage head, as shown and described.

**DESCRIPTION**

FIG. 1 is a top plan view of a massage head showing my new design;  
FIG. 2 is a top perspective view thereof;  
FIG. 3 is a bottom perspective view thereof;  
FIG. 4 is a bottom plan view thereof; and,  
FIG. 5 is right side view thereof; the left side is a mirror image thereof.

**1 Claim, 5 Drawing Sheets**



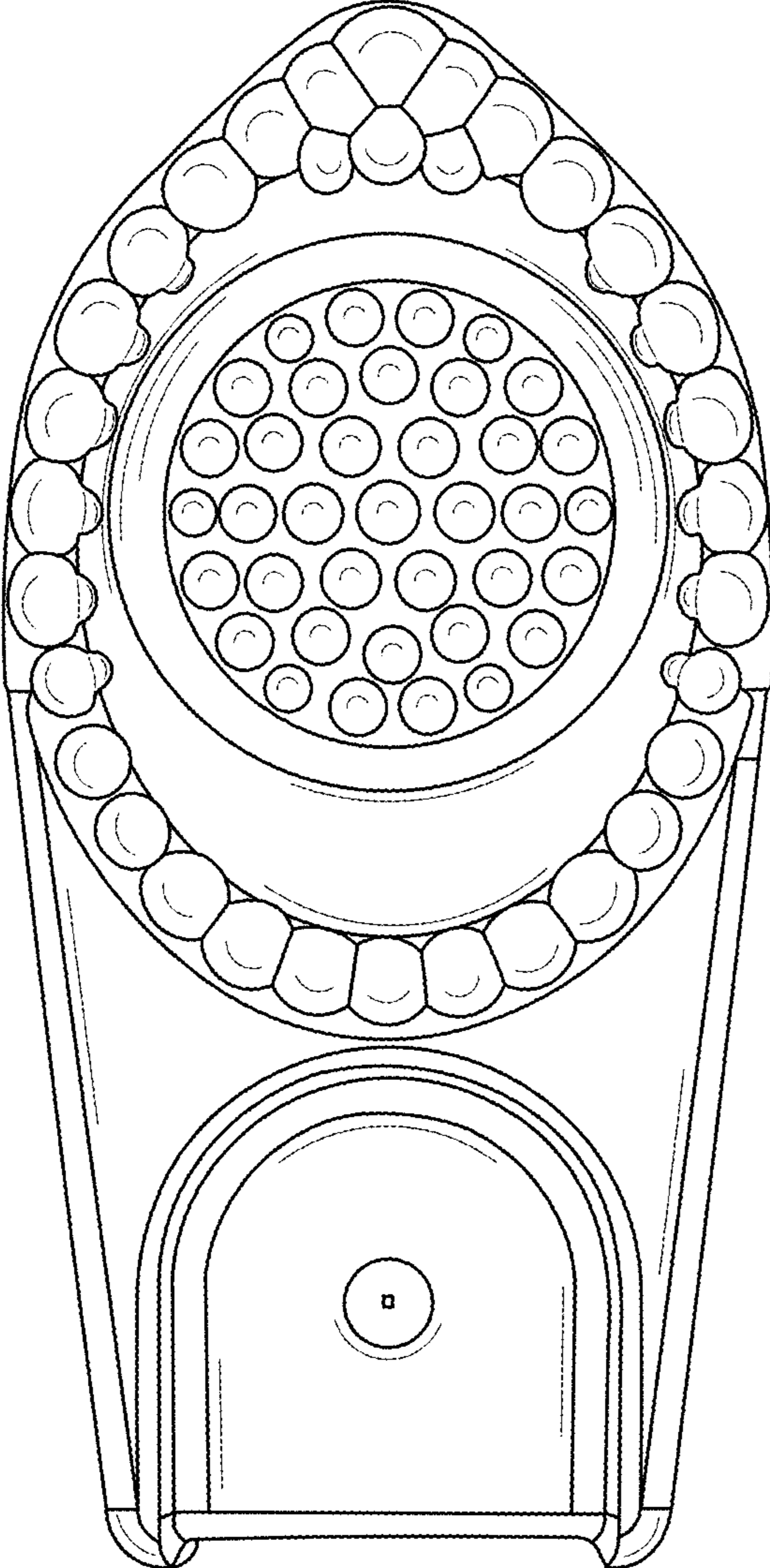


FIG. 1

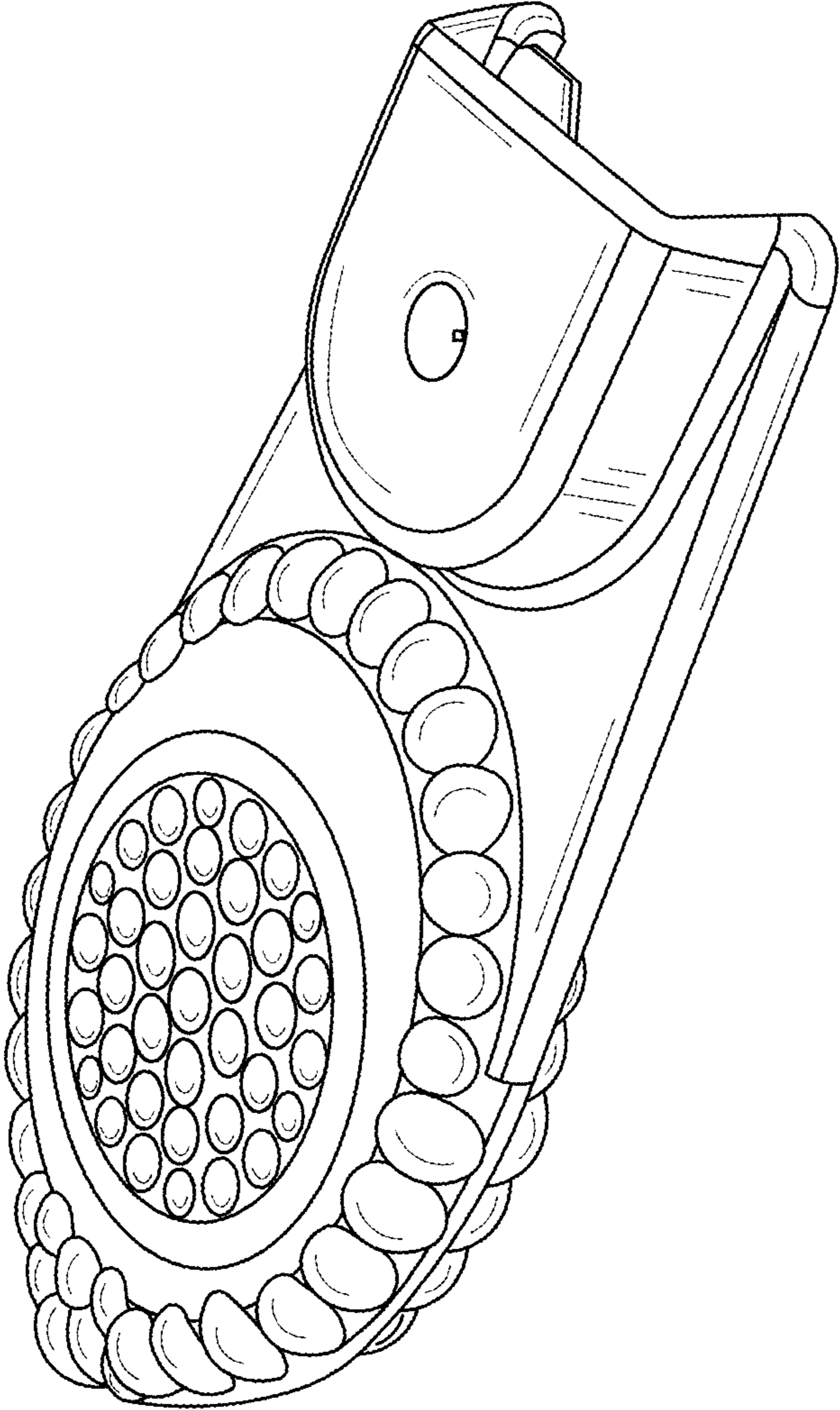


FIG. 2



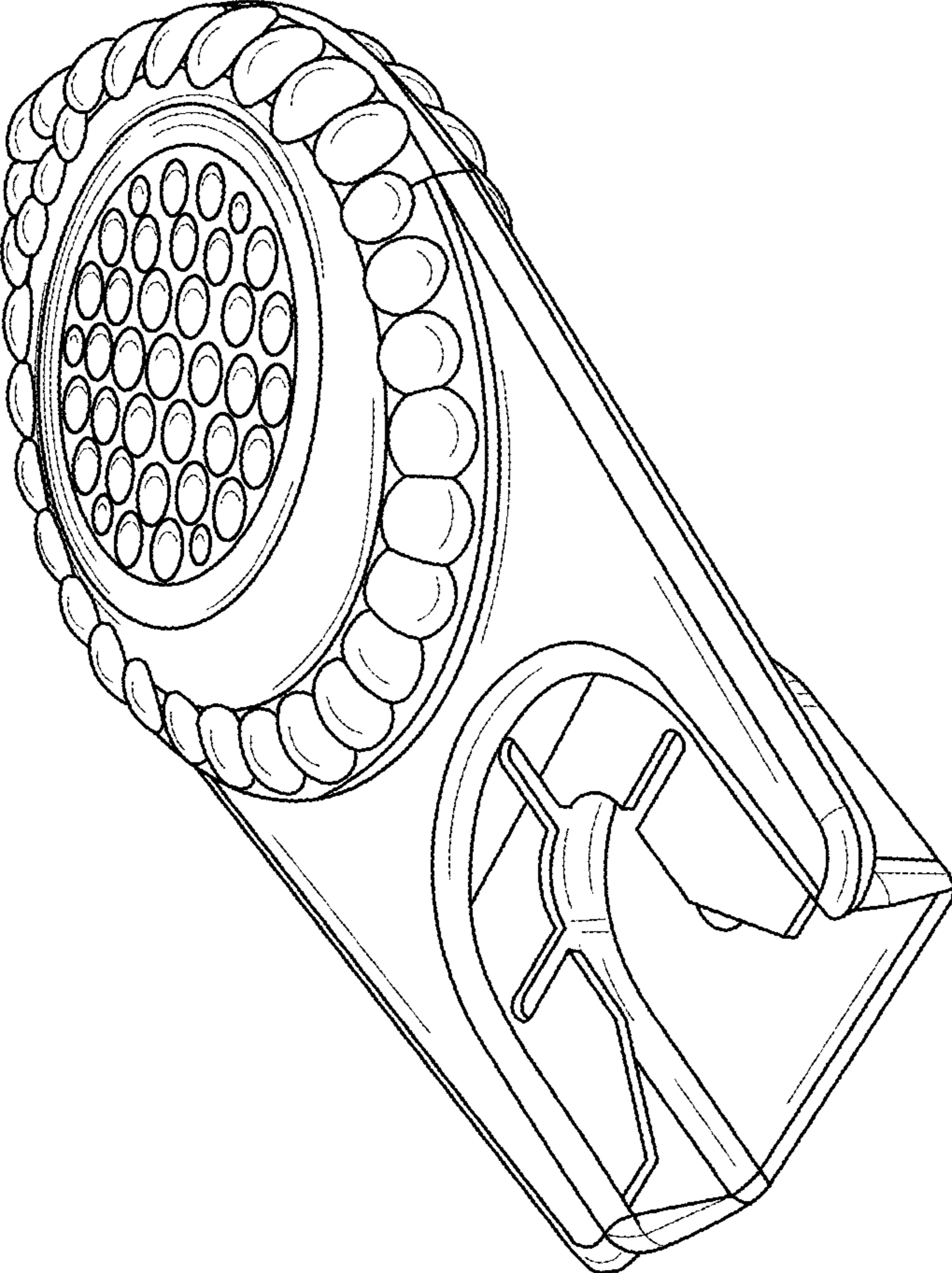


FIG. 3

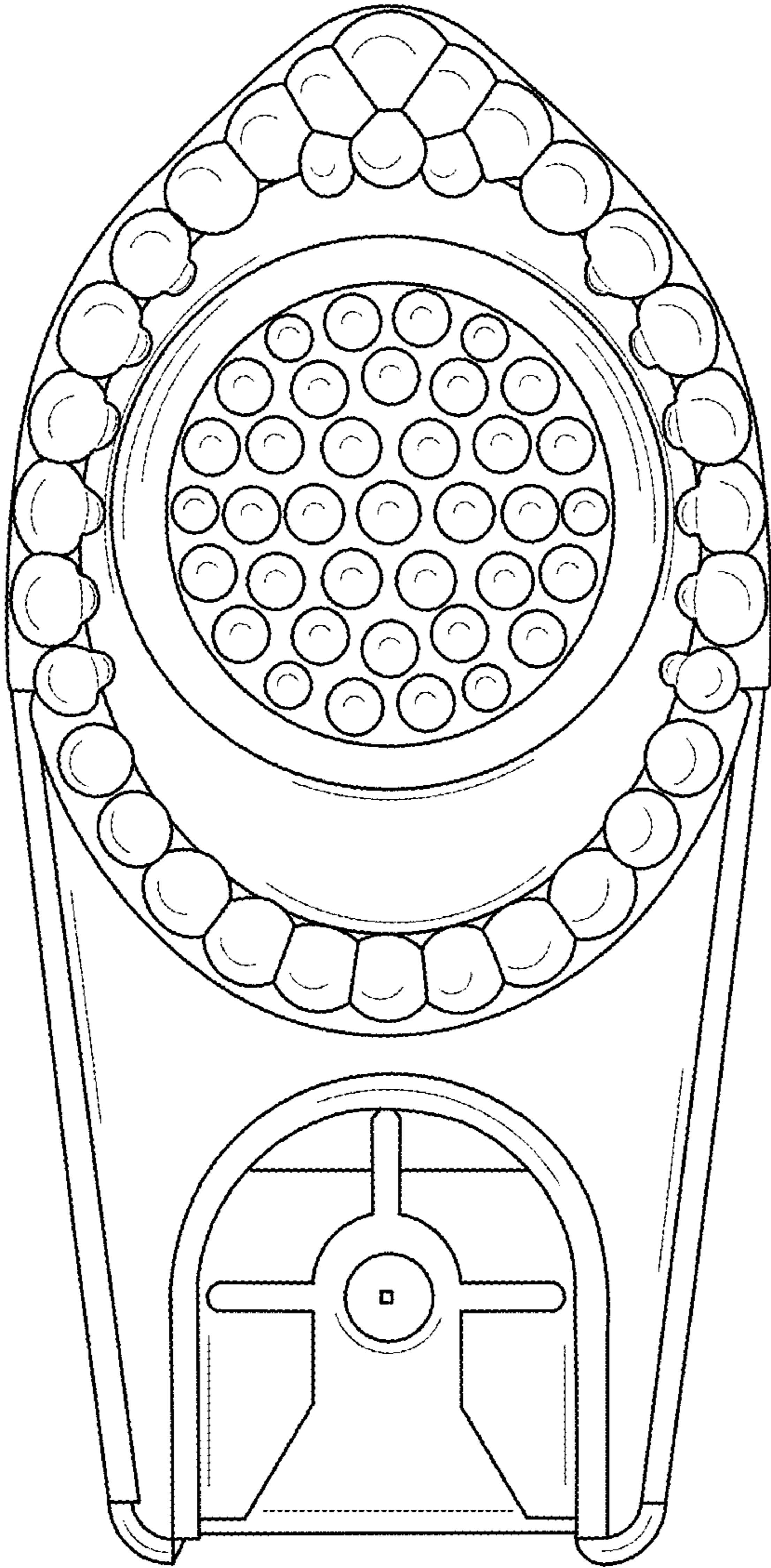


FIG. 4

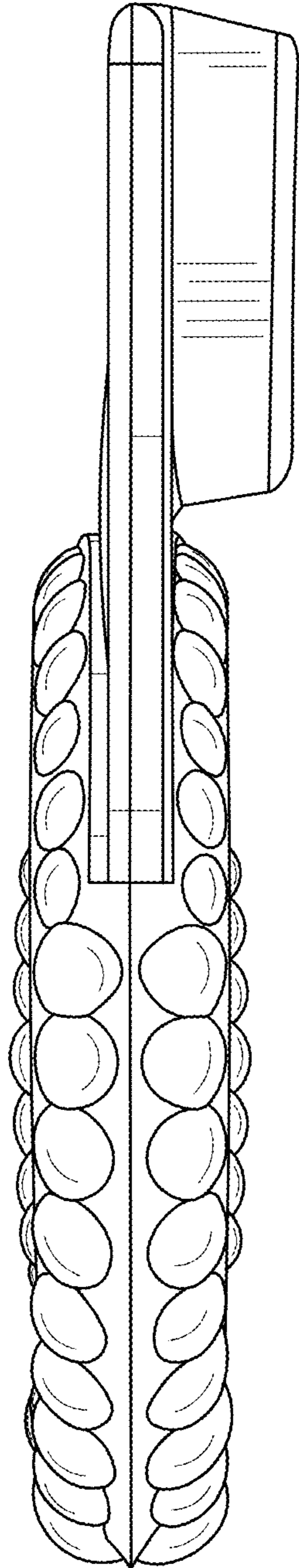


FIG. 5