



US00D898933S

(12) **United States Design Patent** (10) **Patent No.:** **US D898,933 S**
Xu (45) **Date of Patent:** **** Oct. 13, 2020**

- (54) **MESSAGE GUN**
- (71) Applicant: **Bin Xu**, Shenzhen (CN)
- (72) Inventor: **Bin Xu**, Shenzhen (CN)
- (73) Assignee: **Jieqing Xiong**, Shenzhen (CN)
- (**) Term: **15 Years**
- (21) Appl. No.: **29/677,219**
- (22) Filed: **Jan. 18, 2019**
- (51) **LOC (12) Cl.** **28-03**
- (52) **U.S. Cl.**
USPC **D24/215**
- (58) **Field of Classification Search**
USPC .. 601/15, 18, 19, 27, 28-32, 46, 47, 48, 52,
601/72, 99, 112, 113, 118, 135, 137,
601/DIG. 12, DIG. 14, DIG. 15, DIG. 16,
601/DIG. 17; D24/200, 211, 212, 213,
D24/214, 215; D30/160; D8/14.1, 61,
D8/68
CPC A61H 23/02; A61H 23/006; A61H 23/00;
A61H 39/007
See application file for complete search history.

(56) **References Cited**

U.S. PATENT DOCUMENTS

D378,338 S *	3/1997	Accville	D8/14.1
D407,498 S *	3/1999	Cooper	D24/214
D449,892 S *	10/2001	Lie	D24/201
6,401,289 B1 *	6/2002	Herbert	A61H 7/005 601/137
D471,986 S *	3/2003	Lie	D24/201
D526,417 S *	8/2006	Masuda	D24/214
D583,639 S *	12/2008	Axinte	D8/14.1
D627,035 S *	11/2010	Evar	D8/14.1
D725,978 S *	4/2015	Uematsu	D8/14.1
D838,378 S *	1/2019	Cao	D24/215
D840,547 S *	2/2019	Harle	D24/214
D847,362 S *	4/2019	Tang	D24/215
D848,013 S *	5/2019	Fuhner	D24/215

10,314,762 B1 *	6/2019	Marton	A61H 23/006
D855,822 S *	8/2019	Marton	D24/215
2005/0113725 A1 *	5/2005	Masuda	A61H 23/0263 601/72
2010/0274162 A1 *	10/2010	Evans	A61F 7/007 601/15
2010/0312156 A1 *	12/2010	Wu	A61H 7/005 601/112
2011/0009783 A1 *	1/2011	Dverin	A61B 18/14 601/137
2015/0119771 A1 *	4/2015	Roberts	A61H 39/04 601/135

(Continued)

OTHER PUBLICATIONS

Amazon, "JOE AIS Massager Gun", Sep. 7, 2019. https://www.amazon.com/JOE AIS-15600mAh-Capacity-Percussion-Brushless/dp/B07W3M9VH9/ref=cm_cr_arp_d_product_top?ie=UTF8. Shown on p. 1. (Year: 2019).*

Primary Examiner — Cynthia Ramirez
Assistant Examiner — Michael A Maharajh

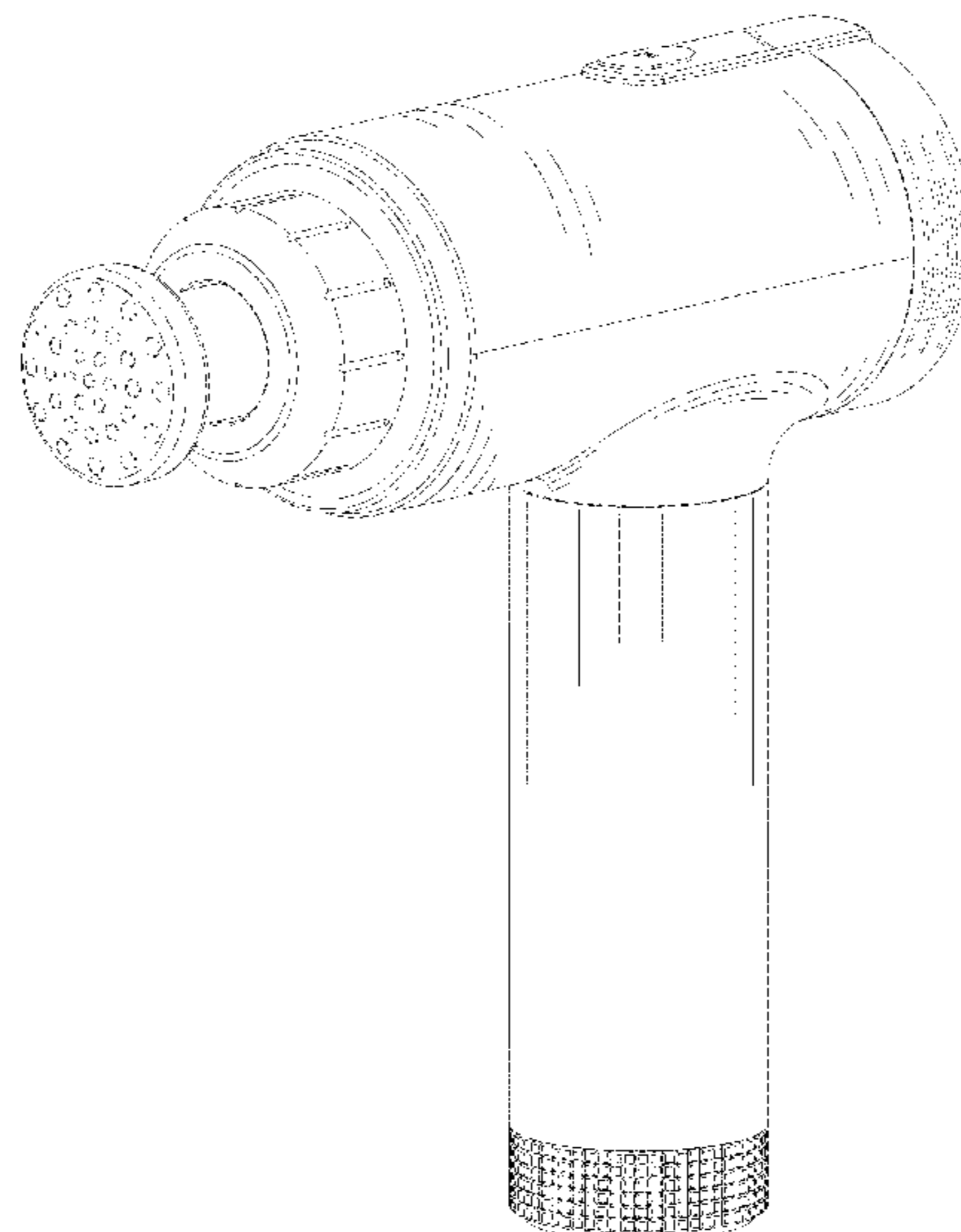
(57) **CLAIM**

The ornamental design for a massage gun, as shown and described.

DESCRIPTION

FIG. 1 is a top, front perspective view of the massage gun showing my new design;
FIG. 2 is a bottom, rear perspective view thereof;
FIG. 3 is a front elevational view thereof;
FIG. 4 is a rear elevational view thereof;
FIG. 5 is a left side elevational view thereof;
FIG. 6 is a right side elevational view thereof;
FIG. 7 is a top plan view thereof; and,
FIG. 8 is a bottom plan view thereof.
The broken lines shown in the figures are for the purpose of illustrating portions of the massage gun, which form no part of the claimed design.

1 Claim, 8 Drawing Sheets



(56)

References Cited

U.S. PATENT DOCUMENTS

2016/0074641 A1* 3/2016 Mehta A61M 35/003
604/290
2017/0304145 A1* 10/2017 Pepe A61H 23/0254
2018/0361137 A1* 12/2018 Kern A46B 13/008
2019/0254922 A1* 8/2019 Marton A61H 23/0254

* cited by examiner

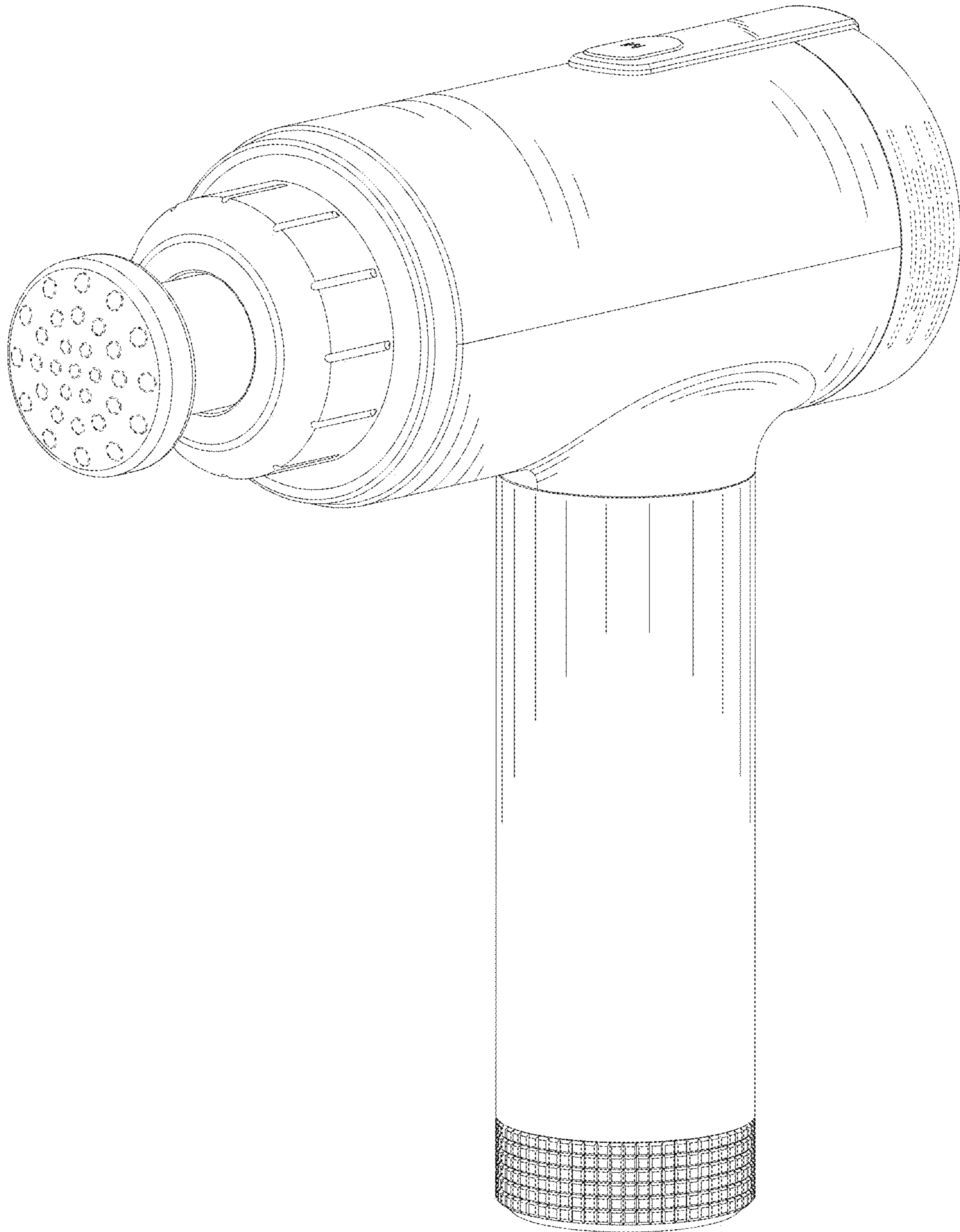


FIG. 1

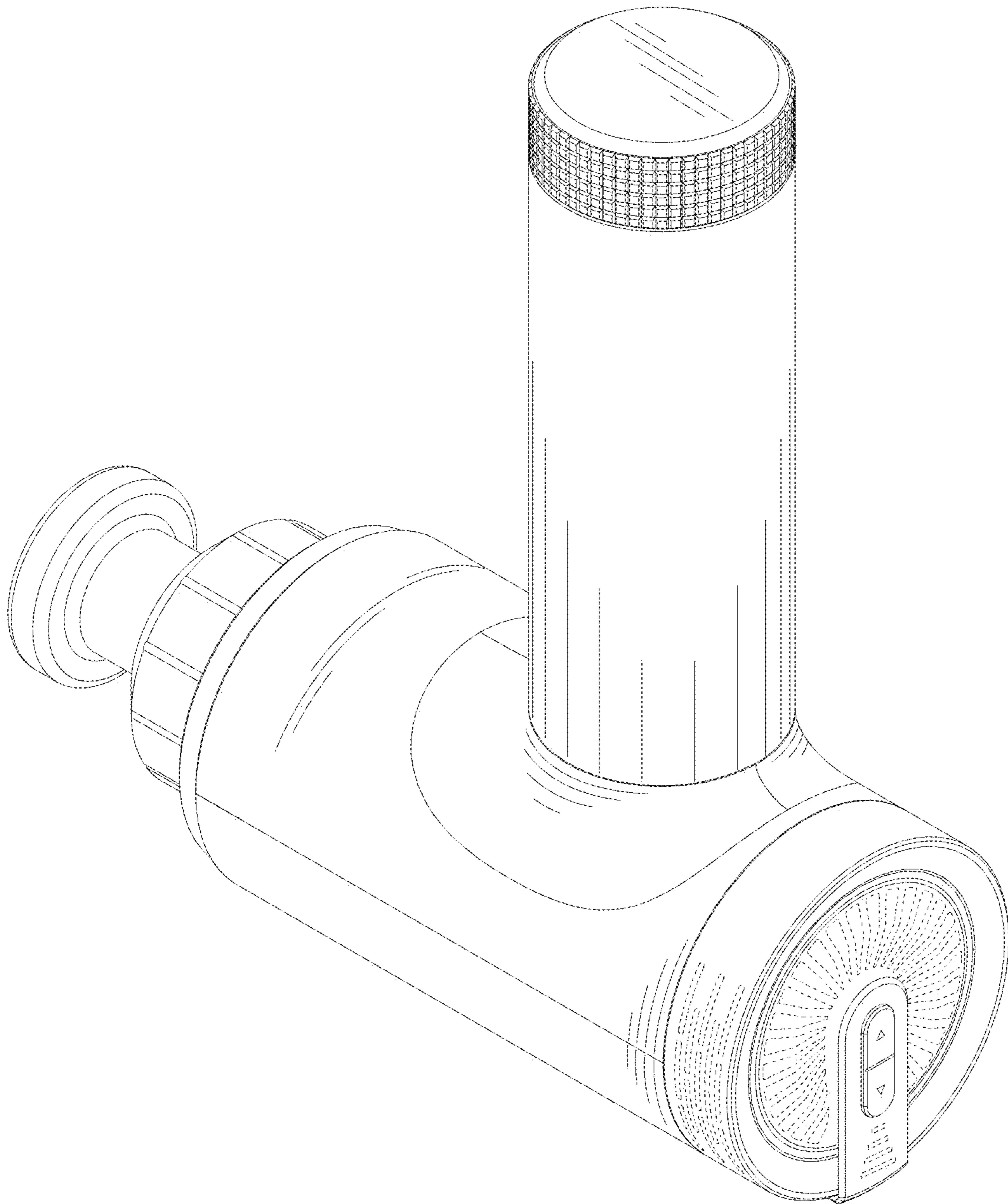


FIG.2

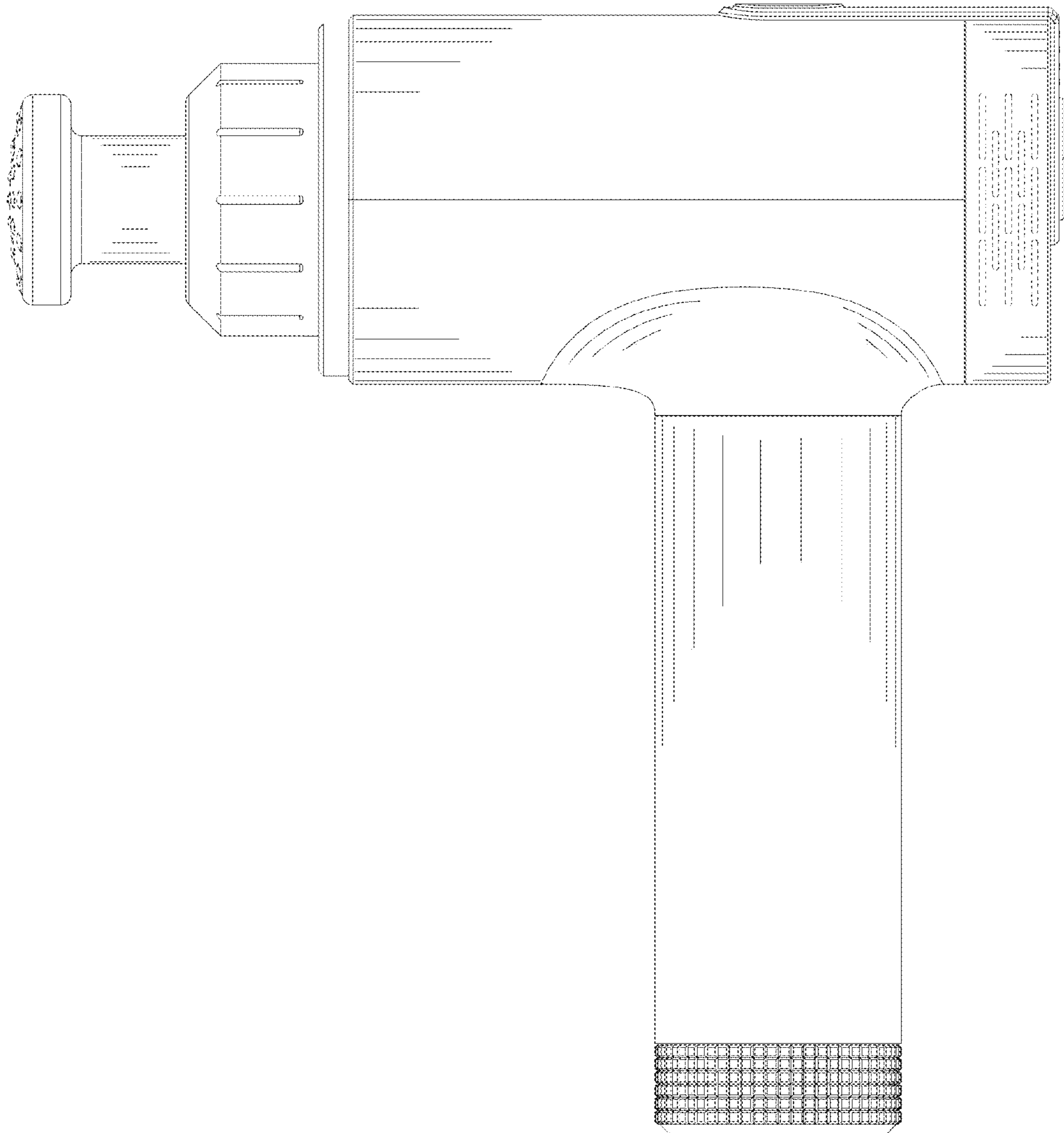


FIG. 3

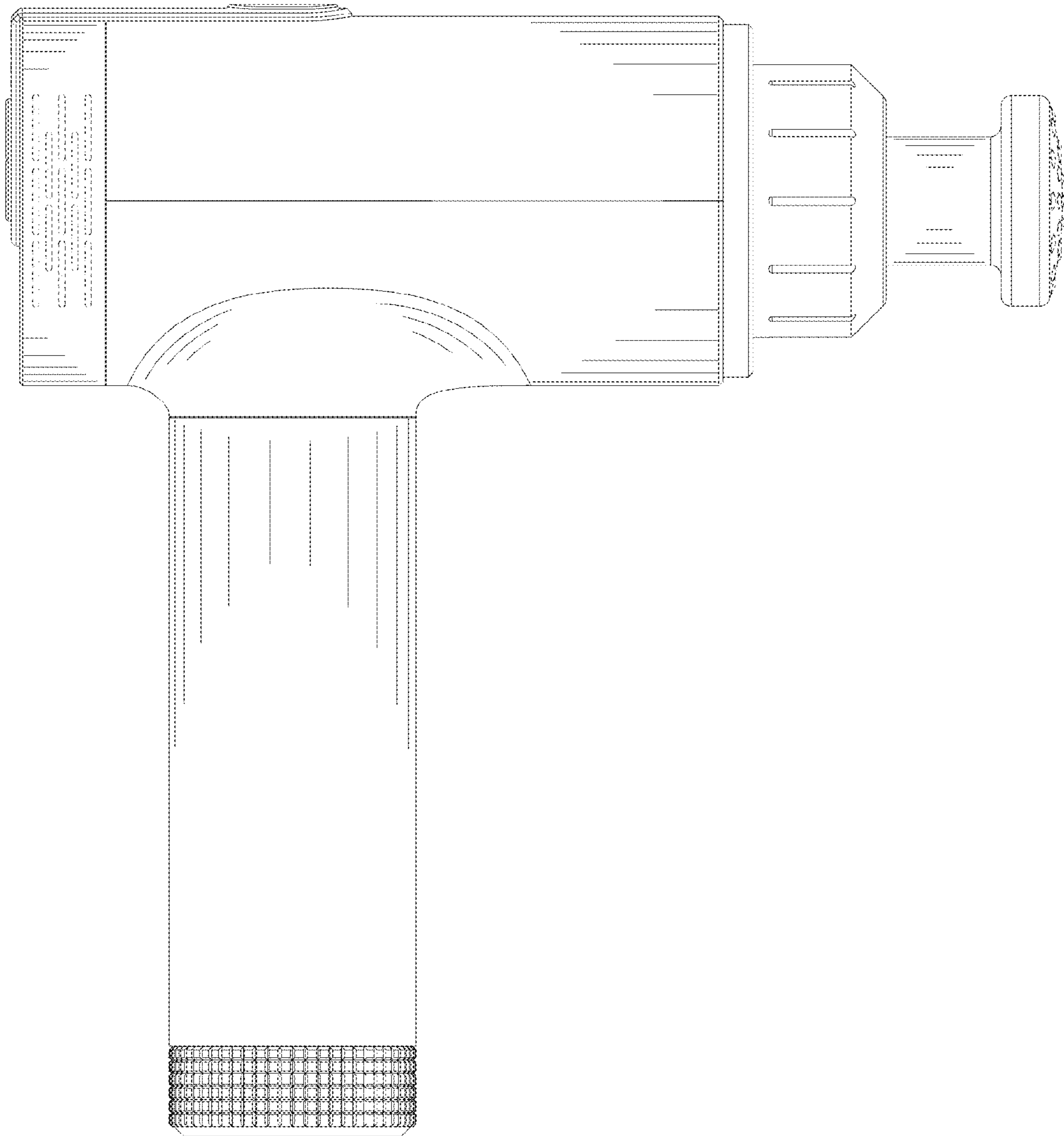


FIG. 4

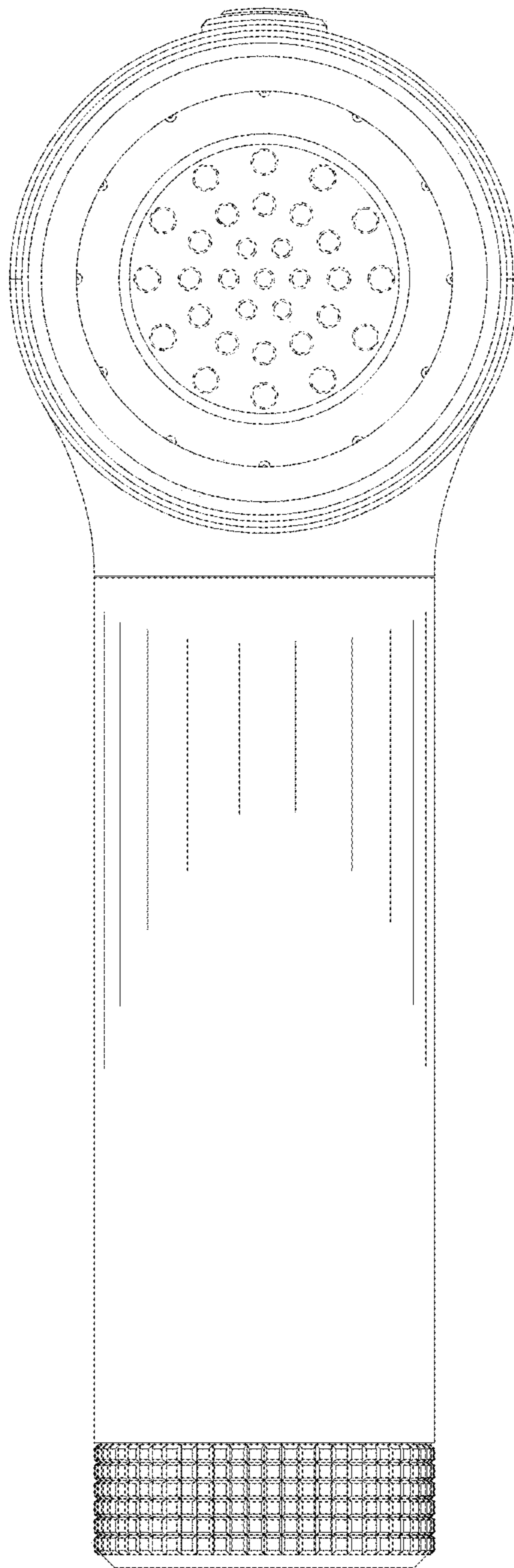


FIG.5

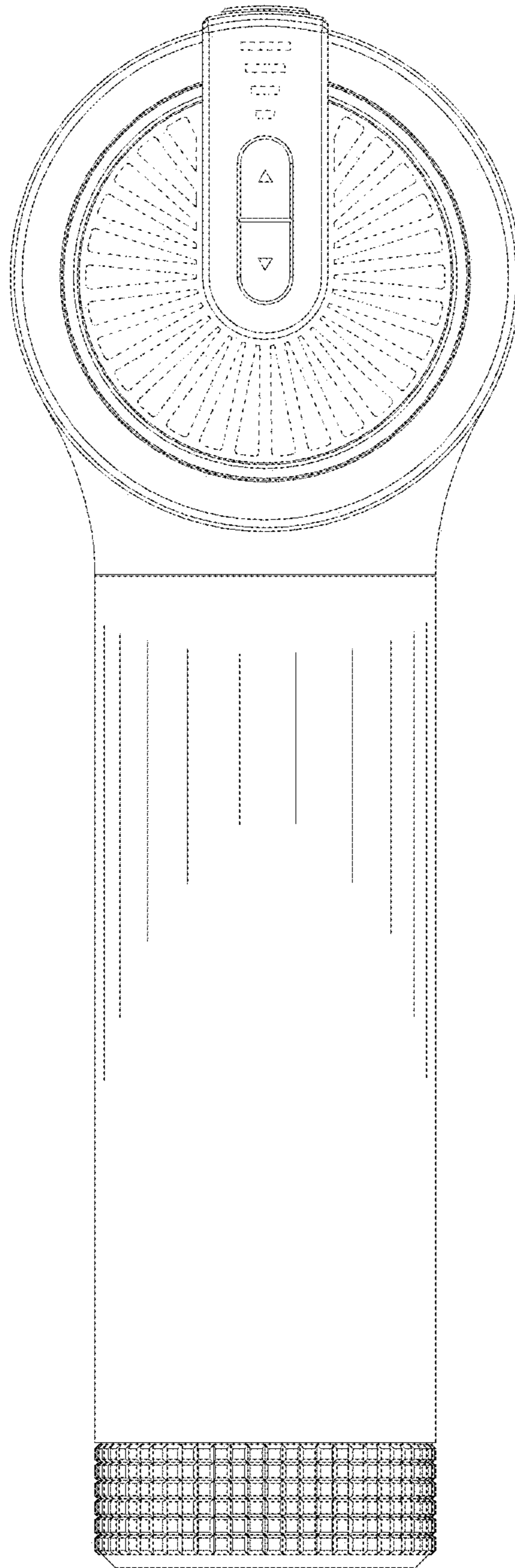


FIG.6

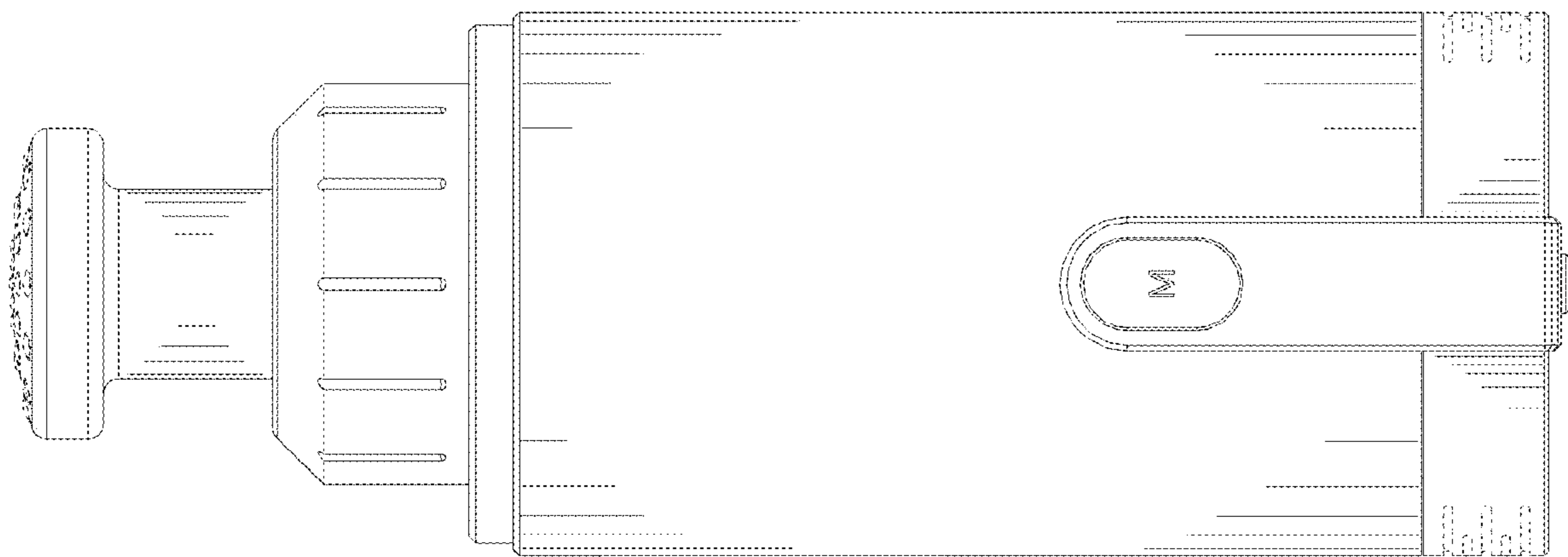


FIG. 7

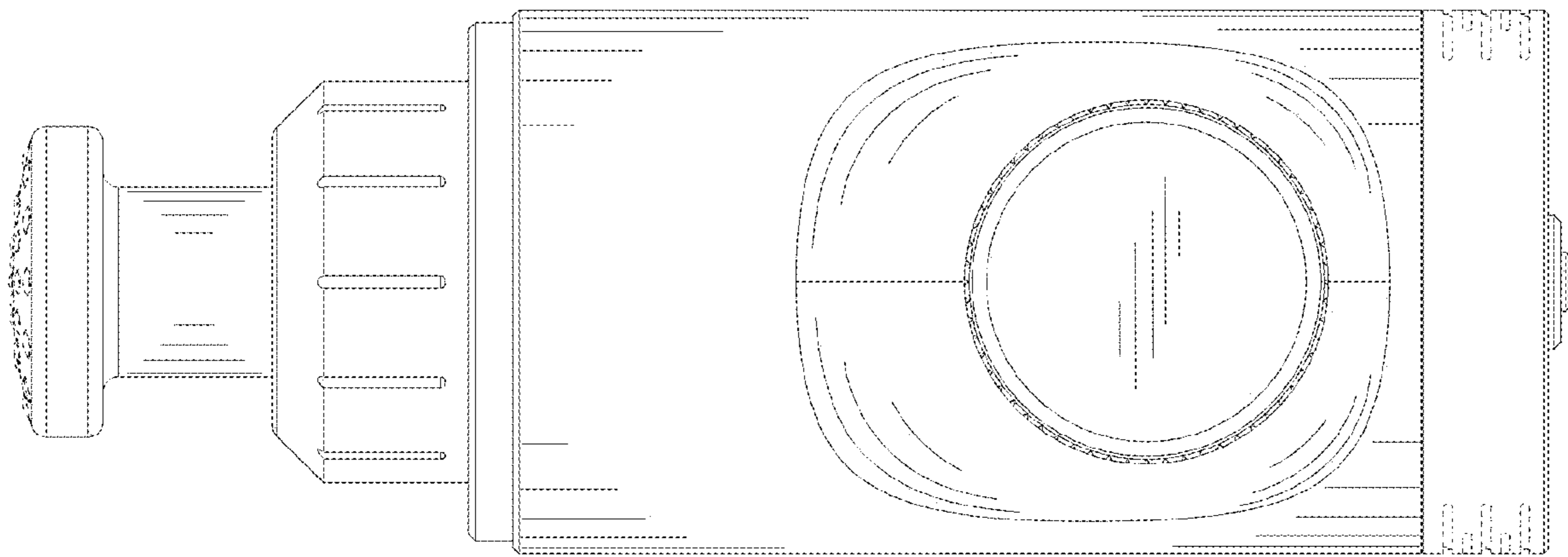


FIG.8