

US00D898932S

(12) **United States Design Patent**
Chen et al.

(10) **Patent No.:** **US D898,932 S**
(45) **Date of Patent:** **** Oct. 13, 2020**

(54) **ERGONOMIC FOOTREST WITH MASSAGE ROLLERS**

(71) Applicant: **GYMWELL CO., LTD.**, Tainan (TW)

(72) Inventors: **Tien-Ming Chen**, Tainan (TW);
Cheng-Kuo Cheng, Tainan (TW)

(73) Assignee: **Gymwell Co., Ltd.**, Tainan (TW)

(**) Term: **15 Years**

(21) Appl. No.: **29/698,475**

(22) Filed: **Jul. 17, 2019**

(51) **LOC (12) Cl.** **28-03**

(52) **U.S. Cl.**
USPC **D24/212**

(58) **Field of Classification Search**
USPC D21/673, 675, 679, 680, 685, 686, 688,
D21/694; D24/192, 212
CPC .. A61H 15/00; A61H 2205/12; A61H 1/0266;
A63B 21/4037; A63B 22/14
See application file for complete search history.

(56) **References Cited**

U.S. PATENT DOCUMENTS

4,159,111	A *	6/1979	Lowth	A63B 22/0056	482/80
D317,959	S *	7/1991	Francis	D21/673	
5,256,118	A *	10/1993	Chen	A63B 22/0056	482/112
5,267,923	A *	12/1993	Piaget	A63B 21/0085	482/52
5,290,204	A *	3/1994	Lee	A63B 22/0056	482/112
D348,708	S *	7/1994	Chen	D21/670	
D349,542	S *	8/1994	Russell	D21/670	
D390,020	S *	2/1998	Huang	D24/212	
6,315,697	B1 *	11/2001	Chen	A63B 22/0056	482/146
D456,052	S *	4/2002	Steves	D21/668	

D461,211	S *	8/2002	Kuo	D21/668	
D465,001	S *	10/2002	Chiang-Chow	D21/668	
D466,567	S *	12/2002	Chen	D21/668	
D474,818	S *	5/2003	Yu	D21/662	
D481,085	S *	10/2003	Ben-Moshe	D21/668	
6,709,367	B1 *	3/2004	Liang	A63B 22/0058	482/146
D496,700	S *	9/2004	Chen	D21/668	
D498,506	S *	11/2004	Yu	D21/668	
D514,635	S *	2/2006	Hsiao	D21/670	
D519,583	S *	4/2006	Chen	D21/668	

(Continued)

OTHER PUBLICATIONS

Gymwell, "Ergonomic Footrest", Jul. 22, 2020. http://www.gymwell.tw/product/1700001008132-802741144/Ergonomic_Footrest.html.
Shown on p. 1. (Year: 2020).*

(Continued)

Primary Examiner — Cynthia Ramirez
Assistant Examiner — Michael A Maharajh
(74) *Attorney, Agent, or Firm* — Rosenberg, Klein & Lee

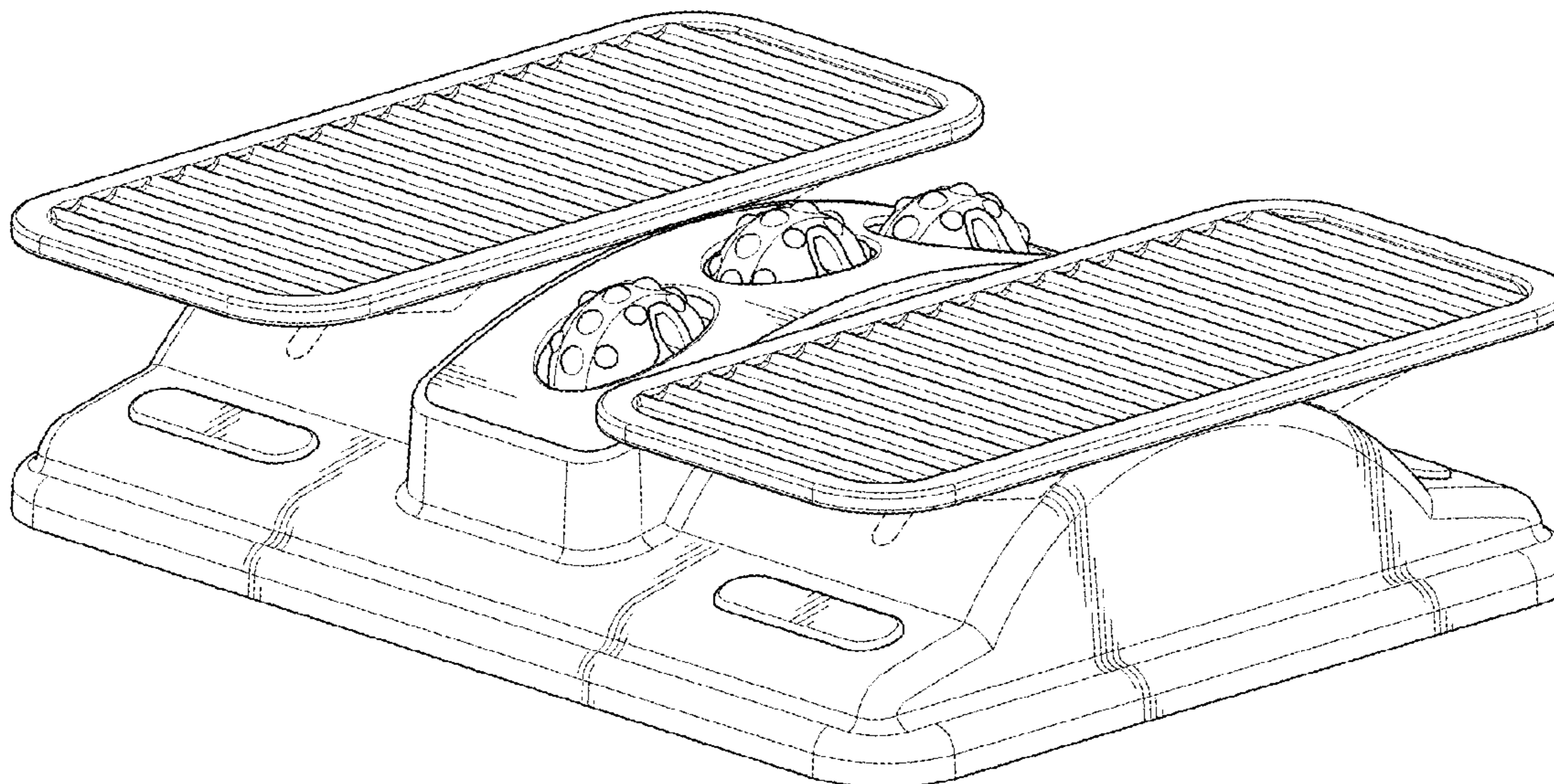
(57) **CLAIM**

The ornamental design for an ergonomic footrest with massage rollers, as shown and described.

DESCRIPTION

FIG. 1 is a perspective view of an ergonomic footrest with massage rollers showing our new design; FIG. 2 is a front elevational view thereof; FIG. 3 is a rear elevational view thereof; FIG. 4 is a left side elevational view thereof; FIG. 5 is a right side elevational view thereof; FIG. 6 is a top plan view thereof; and, FIG. 7 is a bottom plan view thereof. The broken lines shown in the figures illustrate portions of the ergonomic footrest with massage rollers that form no part of the claimed design.

1 Claim, 7 Drawing Sheets



(56)

References Cited

U.S. PATENT DOCUMENTS

D561,849 S * 2/2008 Piaget D21/670
 D575,363 S * 8/2008 Horita D21/694
 7,878,960 B1 * 2/2011 Liu A63B 22/14
 482/146
 D639,872 S * 6/2011 Chiang D21/670
 D648,814 S * 11/2011 Chen D21/694
 D720,819 S * 1/2015 Prats D21/670
 D771,204 S * 11/2016 Ho D21/668
 D781,383 S * 3/2017 Ho D21/670
 D781,384 S * 3/2017 Ho D21/670
 D795,364 S * 8/2017 Chang D21/670
 D887,504 S * 6/2020 Mathew D21/685
 2003/0064864 A1 * 4/2003 Tang A63B 22/14
 482/52
 2003/0199365 A1 * 10/2003 Hong A63B 21/0083
 482/53
 2003/0216224 A1 * 11/2003 Chuang A63B 22/0056
 482/53
 2005/0227818 A1 * 10/2005 Liao A63B 21/4047
 482/53
 2006/0019801 A1 * 1/2006 Zeng A63B 22/0064
 482/52

2006/0100557 A1 * 5/2006 Huang A61H 15/0078
 601/28
 2007/0254782 A1 * 11/2007 Chen A63B 22/0056
 482/53
 2008/0194387 A1 * 8/2008 Chuang A63B 22/0012
 482/52
 2009/0291808 A1 * 11/2009 Chen A63B 23/0429
 482/52
 2010/0179036 A1 * 7/2010 Wang A63B 21/008
 482/112
 2010/0248923 A1 * 9/2010 Lo A63B 22/0058
 482/146
 2011/0077131 A1 * 3/2011 Chiang A63B 22/0056
 482/52
 2017/0136292 A1 * 5/2017 Lee A63B 21/4037
 2017/0252603 A1 * 9/2017 Wu A63B 21/159

OTHER PUBLICATIONS

Youtube, "Ergonomic Footrest_Youtube Clip", Dec. 18, 2019. https://www.youtube.com/watch?v=ZLvj79_dFYA. Shown at the 00:13 minute mark. (Year: 2019).*

* cited by examiner

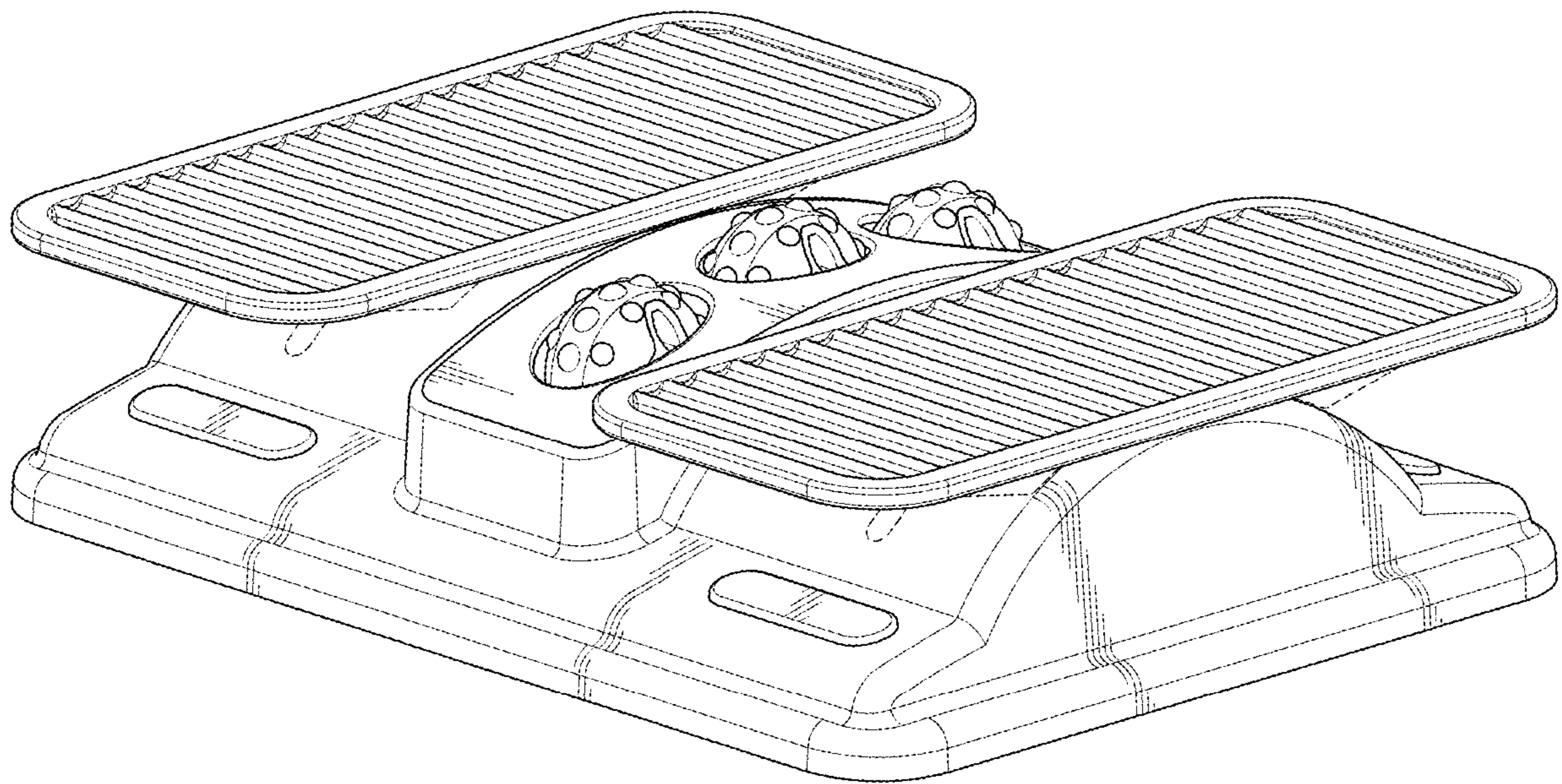


FIG. 1

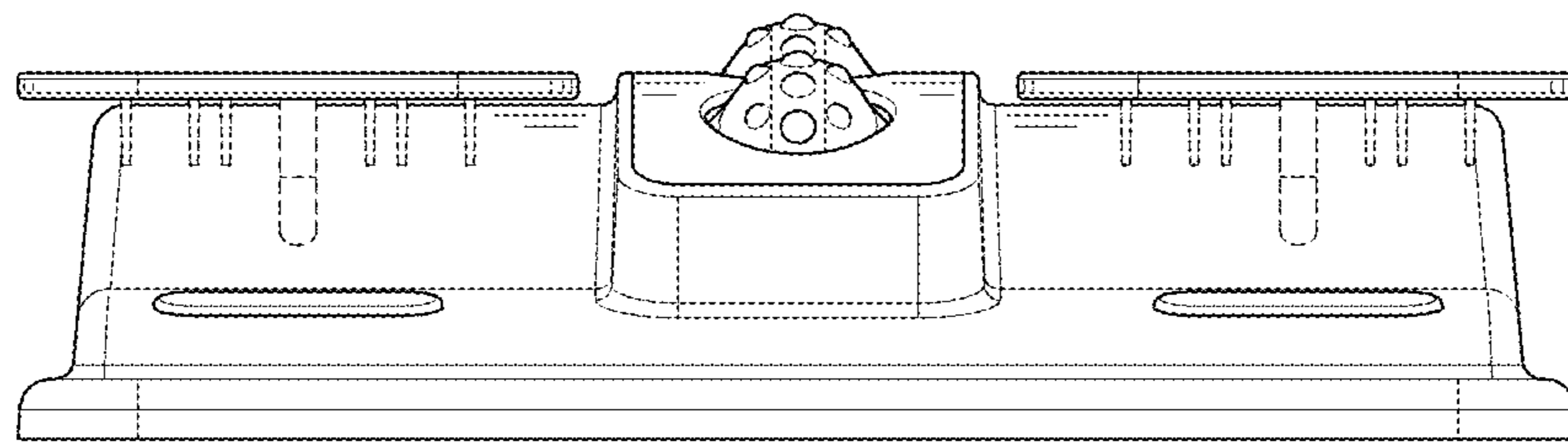


FIG. 2

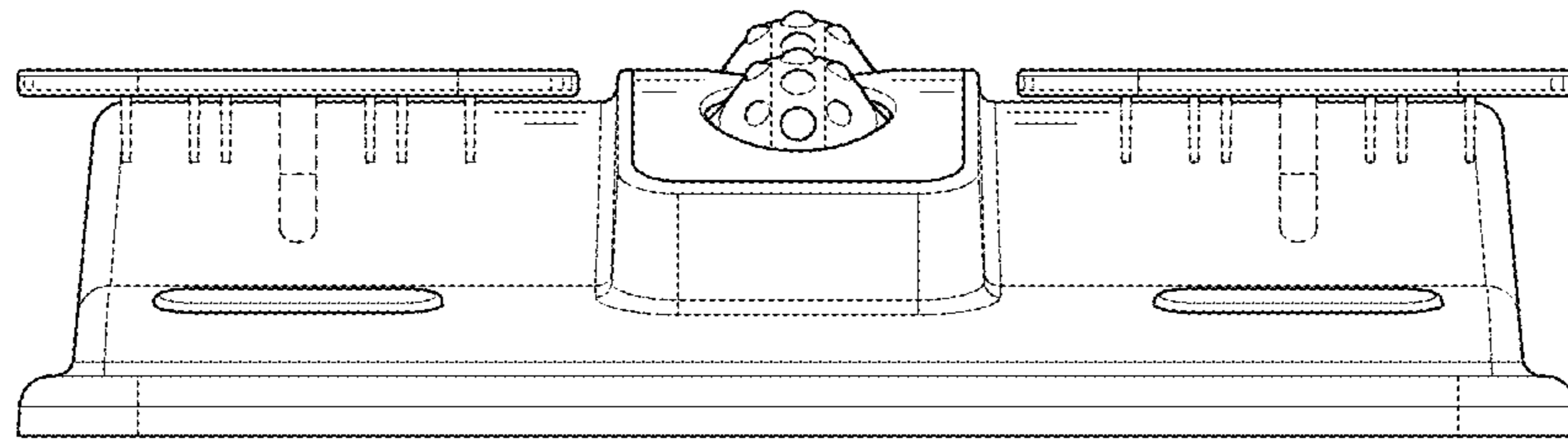


FIG. 3

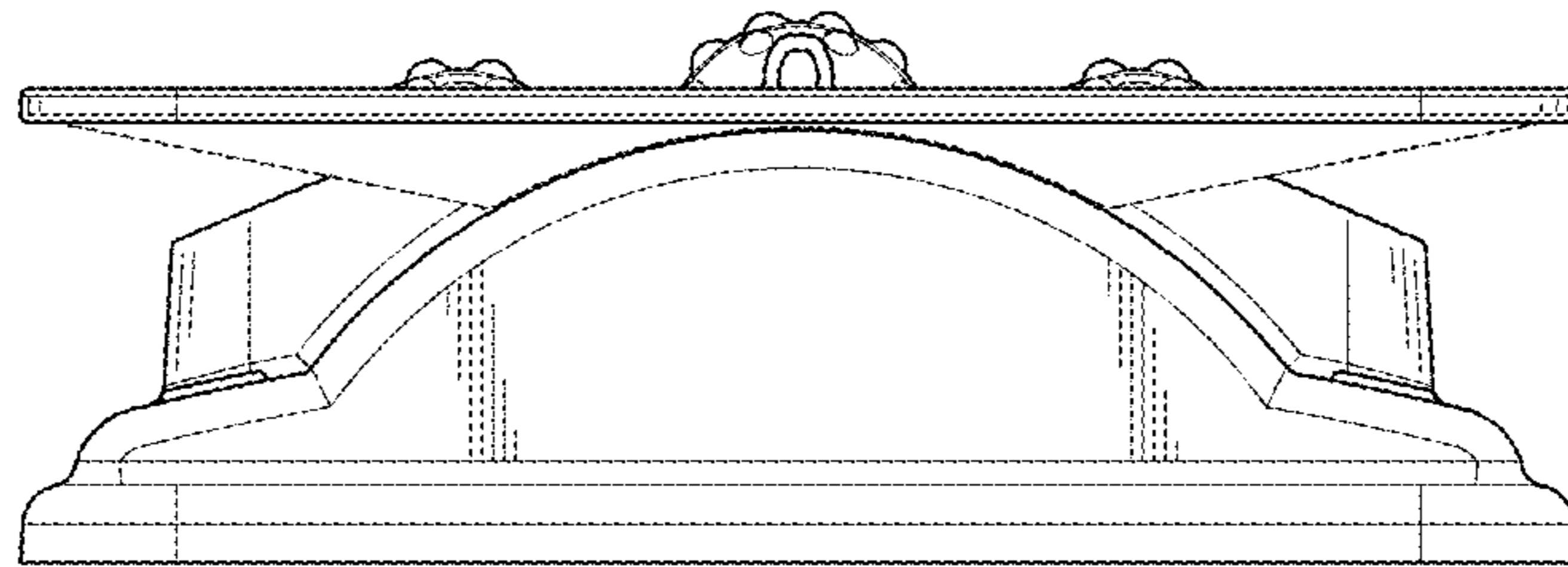


FIG. 4

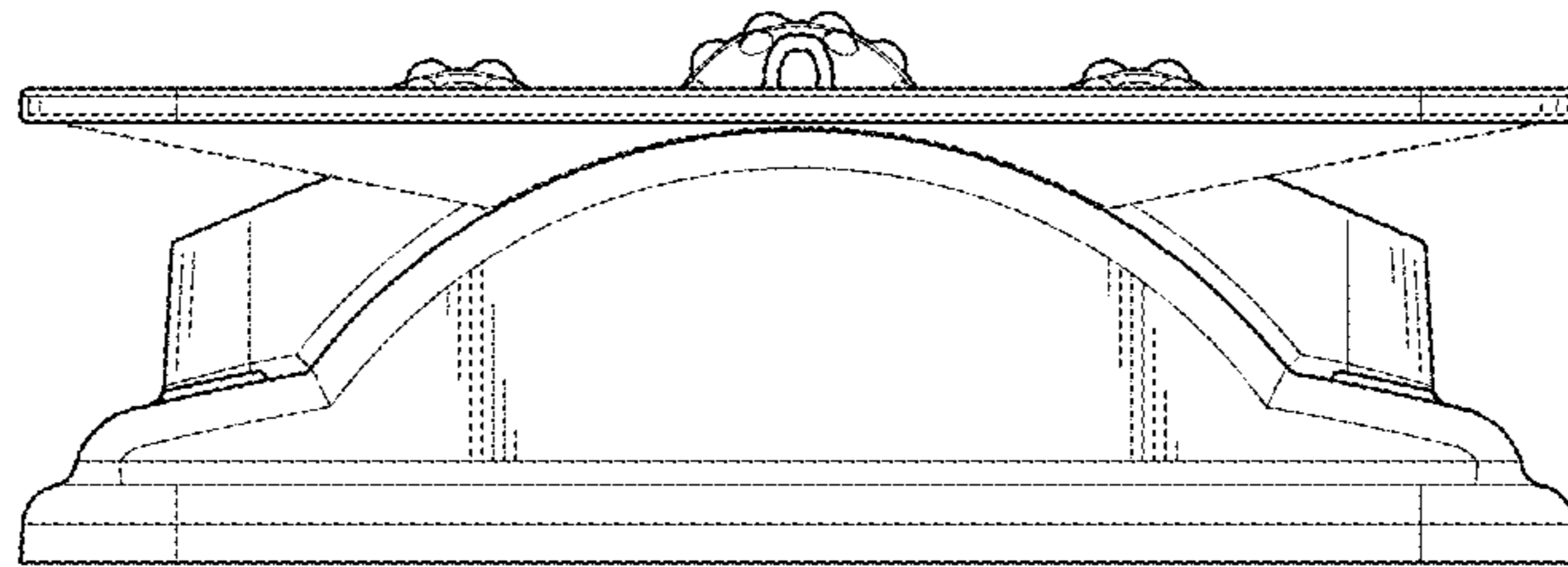


FIG. 5

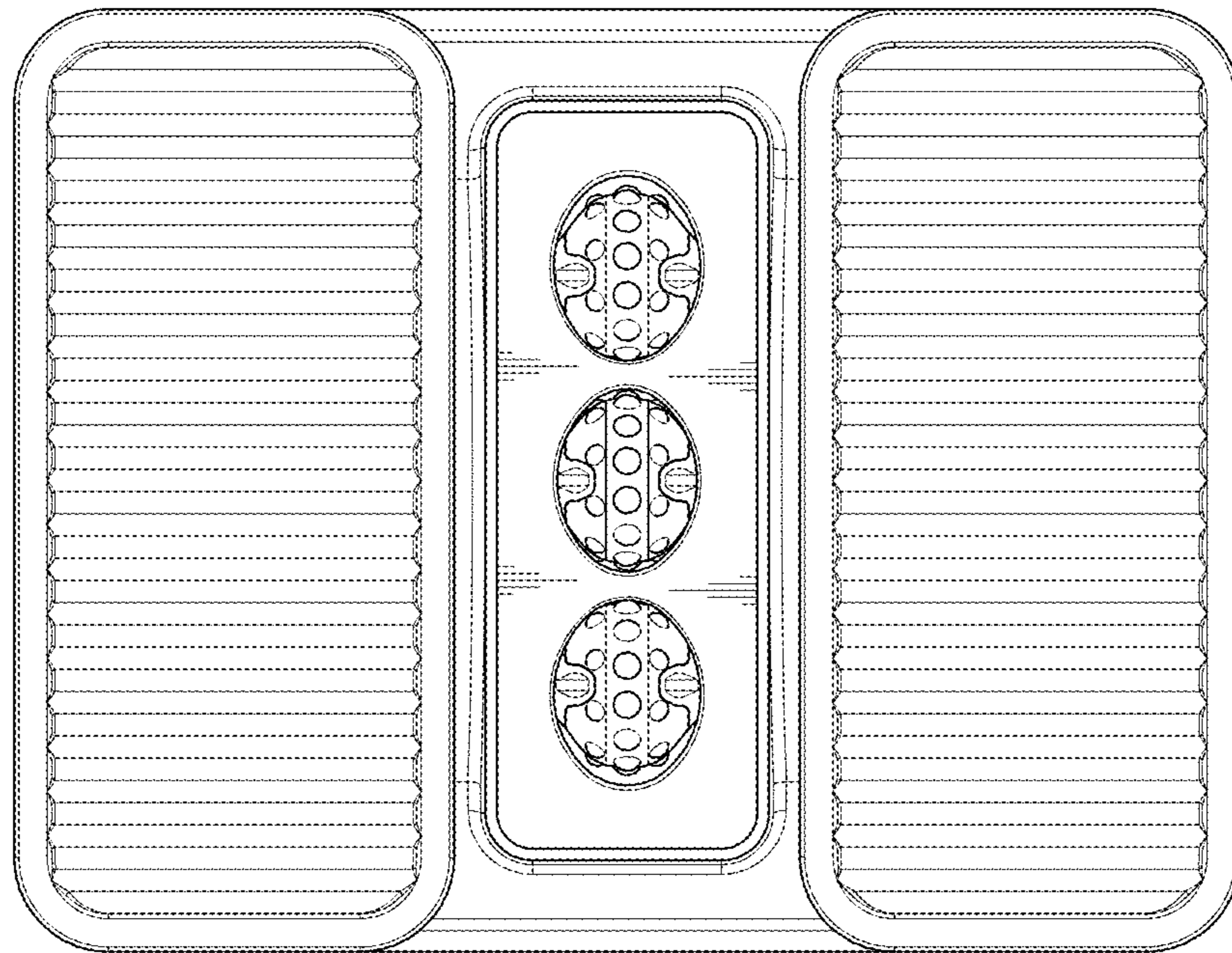


FIG. 6

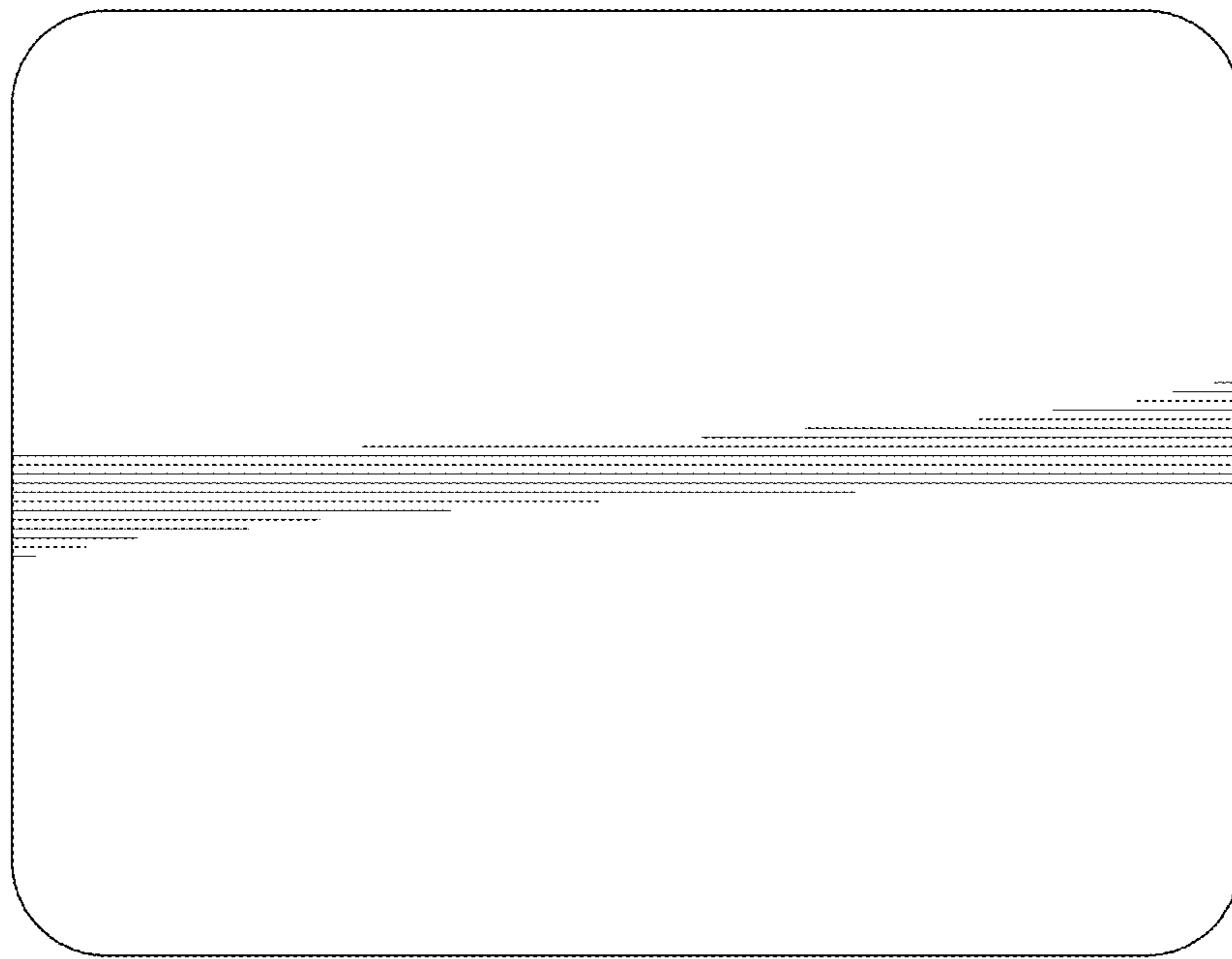


FIG. 7