



US00D898931S

(12) **United States Design Patent** (10) **Patent No.:** **US D898,931 S**
Thompson, Jr. (45) **Date of Patent:** **** Oct. 13, 2020**

(54) **ROLLER**
(71) Applicant: **Coulter Ventures, LLC**, Columbus, OH (US)
(72) Inventor: **Donald Wayne Thompson, Jr.**, West Columbia, SC (US)
(73) Assignee: **Coulter Ventures, LLC.**, Columbus, OH (US)

D713,050 S * 9/2014 Kao A61H 15/00
D24/211
D736,398 S * 8/2015 Kwon D24/211
D744,112 S * 11/2015 Phillips D24/211
D749,233 S * 2/2016 Phillips A61H 15/0092
D24/211
D755,304 S * 5/2016 Ackerman D21/662
D764,066 S * 8/2016 Somjee D24/211
D788,313 S * 5/2017 Lawrie D24/211

(Continued)

(**) Term: **15 Years**

(21) Appl. No.: **29/688,289**

(22) Filed: **Apr. 19, 2019**

(51) **LOC (12) Cl.** **28-03**

(52) **U.S. Cl.**
USPC **D24/211**

(58) **Field of Classification Search**
USPC D24/211, 212, 213, 214, 215; D12/114,
D12/178; D8/303; D21/769, 803;
D30/160

CPC A61H 15/00; A61H 2201/164; A61H
2201/169; A61H 7/001

See application file for complete search history.

(56) **References Cited**

U.S. PATENT DOCUMENTS

D253,373 S * 11/1979 Celeste 601/121
D256,503 S * 8/1980 Moustakas D24/212
D303,974 S * 10/1989 Karr D15/126
D361,132 S * 8/1995 Lee D24/200
D371,331 S * 7/1996 Mooradian D12/114
D381,851 S * 8/1997 Sharpe D6/523
D469,924 S * 2/2003 Farrell D28/37
D546,402 S * 7/2007 Sonnier D21/662
D567,952 S * 4/2008 Fink D24/200
D567,954 S * 4/2008 Fink D24/200
D567,955 S * 4/2008 Fink D24/200
D578,260 S * 10/2008 Fellingner D32/25
D693,934 S * 11/2013 Lin D24/215

OTHER PUBLICATIONS

Body Tempering web page from <<https://web.archive.org/web/20190126122832/https://bodytempering.com/body-tempering/>>, dated Jan. 26, 2019.

(Continued)

Primary Examiner — Cynthia Ramirez

Assistant Examiner — Michael A Maharajh

(74) *Attorney, Agent, or Firm* — Banner & Witcoff, Ltd.

(57) **CLAIM**

The ornamental design for a roller, as shown and described.

DESCRIPTION

FIG. 1 is a top, front, right perspective view of a roller, showing my new design;

FIG. 2 is a front view thereof;

FIG. 3 is a rear view thereof;

FIG. 4 is a right side view thereof;

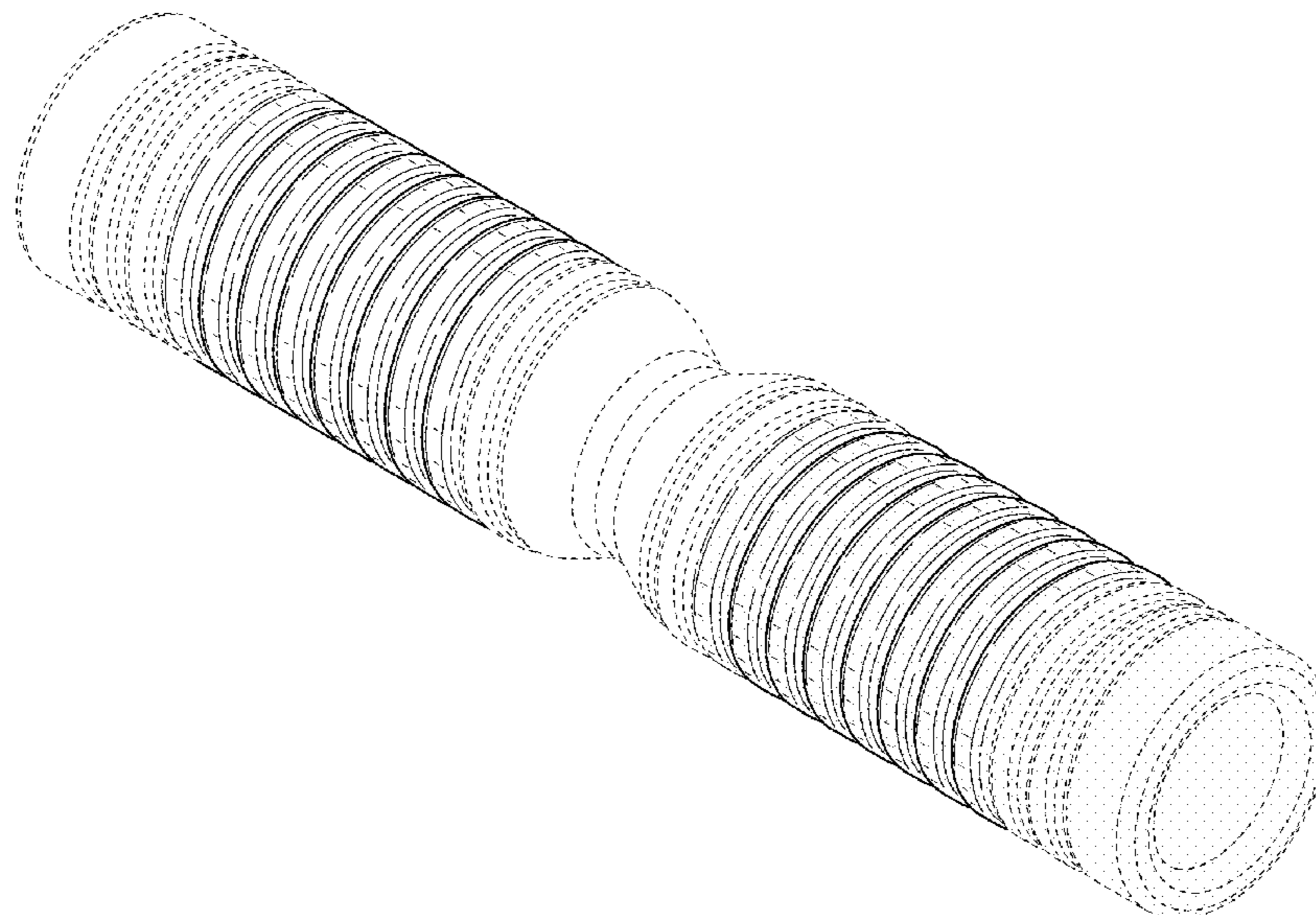
FIG. 5 is a left side view thereof;

FIG. 6 is a top view thereof; and,

FIG. 7 is a bottom view thereof.

The uneven-length broken lines immediately adjacent to the shaded area define the bounds of the claimed design and form no part thereof. The even-length broken lines in the drawings are for the purpose of illustrating portions of the roller, which form no part of the claimed design.

1 Claim, 4 Drawing Sheets



(56)

References Cited

U.S. PATENT DOCUMENTS

D822,772 S * 7/2018 Jorgenson D21/662
 D829,920 S * 10/2018 Carpinelli D24/211
 D833,026 S * 11/2018 Khodabakhshian D24/211
 D833,027 S * 11/2018 Viner D24/211
 D845,498 S * 4/2019 Johnson D24/211
 10,307,325 B1 * 6/2019 Johnson A61H 15/0092
 D863,579 S * 10/2019 Wang D24/211
 D863,583 S * 10/2019 Carpinello D24/213
 D872,198 S * 1/2020 Kim D21/662
 D874,184 S * 2/2020 Chou D6/580
 D875,962 S * 2/2020 Spratt D24/215
 D876,657 S * 2/2020 Lin D24/211
 D878,618 S * 3/2020 Kafker D24/211
 D882,805 S * 4/2020 Lien D24/211
 D883,503 S * 5/2020 Pasquale D24/211
 2004/0204664 A1 * 10/2004 Chu A61H 7/001
 601/121
 2015/0133835 A1 * 5/2015 Fadil A61H 7/007
 601/118
 2016/0235619 A1 * 8/2016 Yeh A61H 15/00
 2016/0279009 A1 * 9/2016 Somjee A61H 1/008

2017/0216133 A1 * 8/2017 Yih A61H 15/0092
 2017/0252262 A1 * 9/2017 Chang A61H 15/00
 2018/0326254 A1 * 11/2018 Earls A63B 21/4039
 2019/0060160 A1 * 2/2019 Krichevsky A61H 15/00
 2019/0343713 A1 * 11/2019 Boghosian A61H 15/0092
 2020/0030181 A1 * 1/2020 Lin A61H 15/0092

OTHER PUBLICATIONS

Photos of body tempering rollers from <<https://web.archive.org/web/20190126122832/https://bodytempering.com/body-tempering/>>, dated Jan. 26, 2019.
 <Kabuki Strength Body Tempering product listings from <<https://web.archive.org/web/20170224042536/http://store.kabukistrength.net/collections/body-tempering/>>, dated Feb. 24, 2017.
 Body Tempering web page from <<https://web.archive.org/web/20190312011524/https://bodytempering.com/project/order-custom-tempering-tools/>>, dated Mar. 12, 2019.
 Big Hes Strength Body Tempering Rollers product listings from <<https://squareup.com/store/bighesstrength/>>, believed to be available prior to Apr. 19, 2019.

* cited by examiner

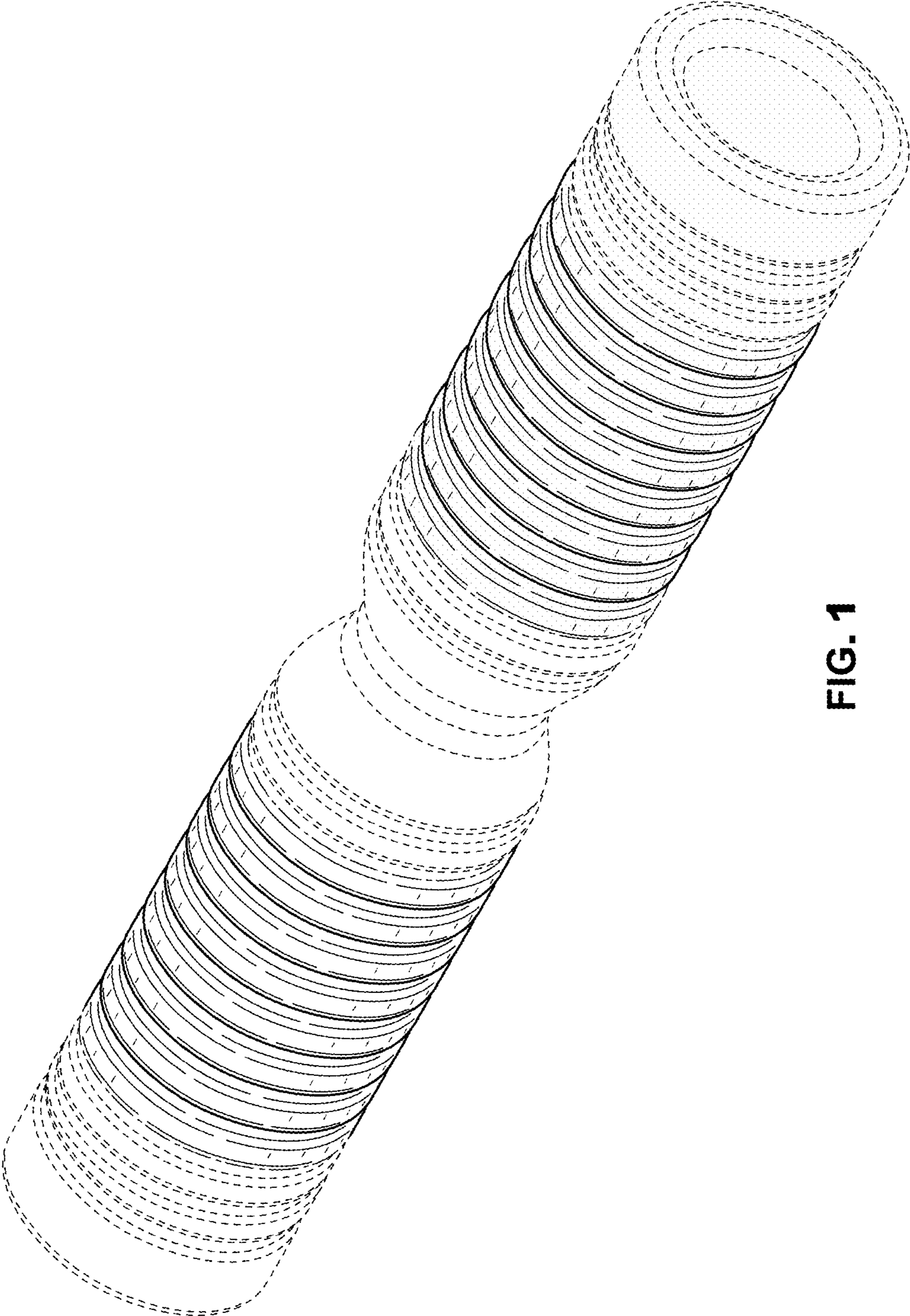


FIG. 1

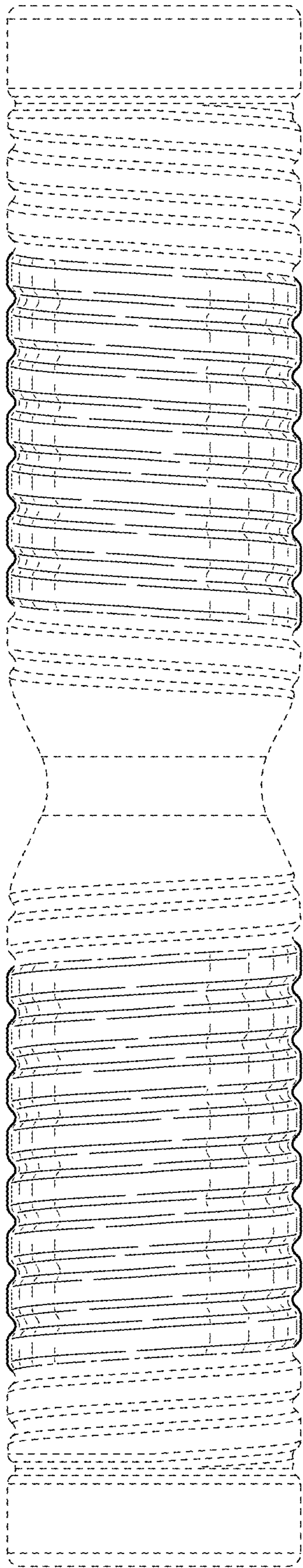


FIG. 2

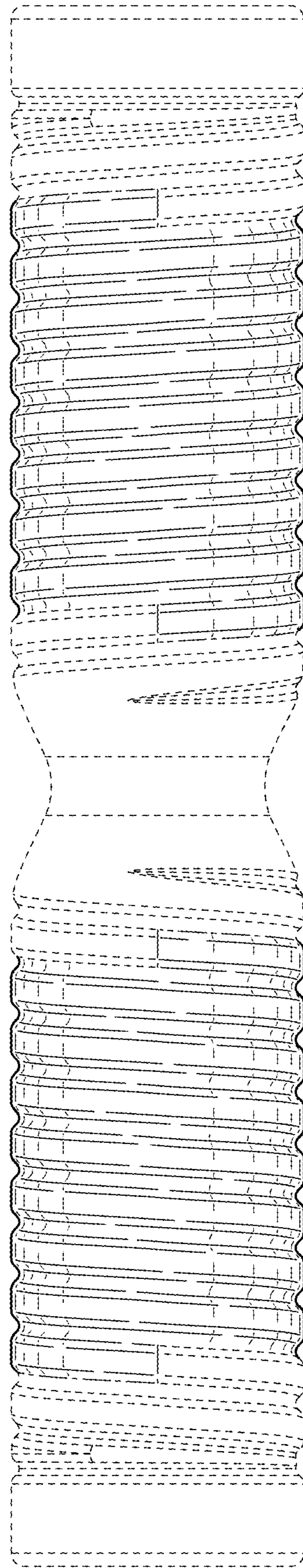


FIG. 3

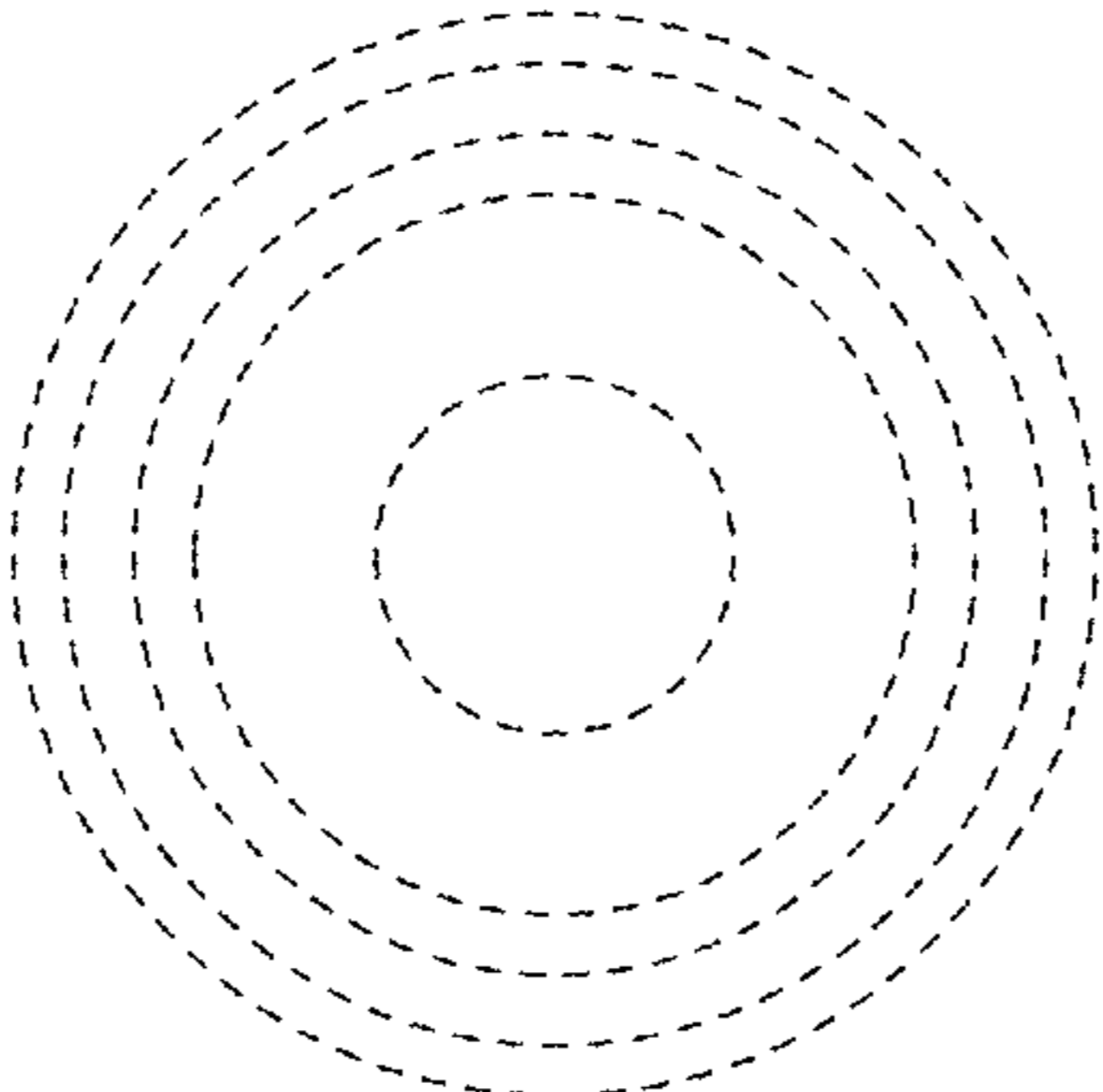


FIG. 5

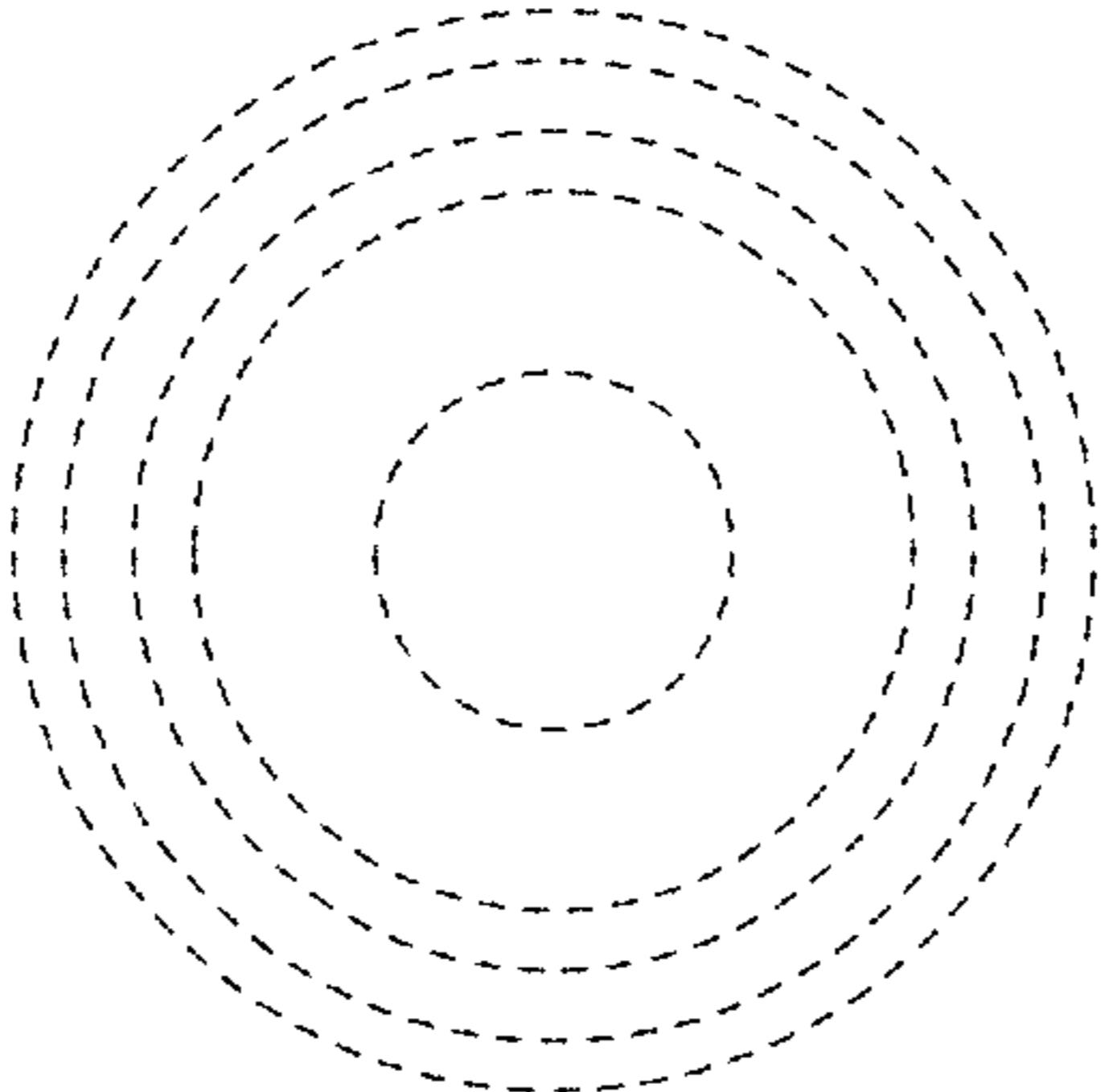


FIG. 4

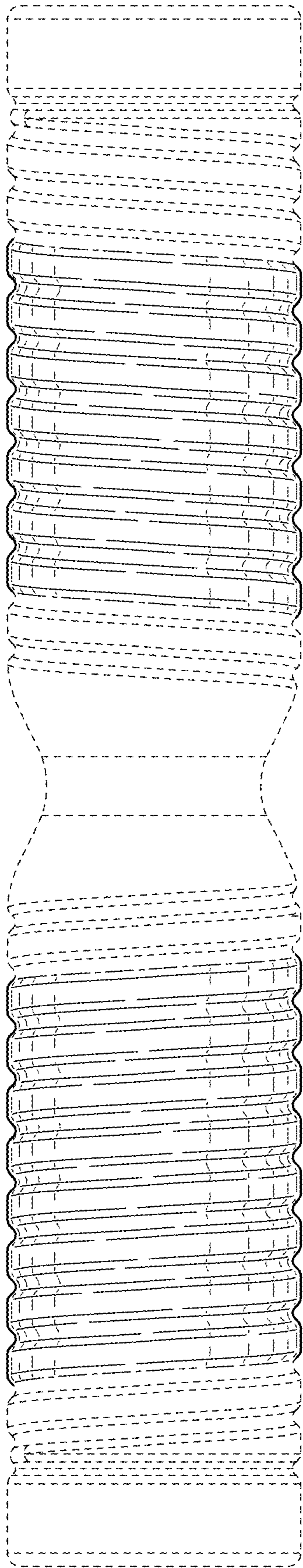


FIG. 6

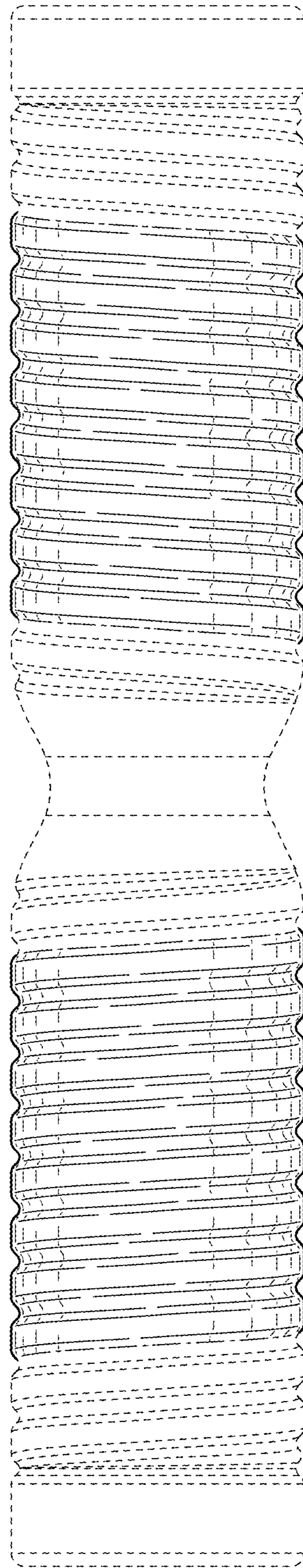


FIG. 7