



US00D898926S

(12) **United States Design Patent** (10) **Patent No.:** **US D898,926 S**  
**Bobey et al.** (45) **Date of Patent:** **\*\* Oct. 13, 2020**

(54) **FRONT PORTION OF A PERCUSSIVE HIGH FREQUENCY CHEST WALL OSCILLATION SYSTEM**

(71) Applicant: **HILL-ROM SERVICES PTE. LTD.**, Singapore (SG)

(72) Inventors: **John A. Bobey**, Daniel Island, SC (US); **Harold M. Cabral**, Singapore (SG); **Deny D. Barilea**, Singapore (SG); **Suresha Venkataraya**, Singapore (SG); **Wei T. Tan**, Singapore (SG); **Clementine Pirio**, Vannes (FR); **Dirk Tjepkema**, Enschede (NL); **Sytze A. Spijksma**, Haaksbergen (NL); **Petrus J. van den Oever**, Rosmalen (NL)

(73) Assignee: **HILL-ROM SERVICES PTE. LTD.**, Singapore (SG)

(\*\*) Term: **15 Years**

(21) Appl. No.: **29/724,357**

(22) Filed: **Feb. 14, 2020**

**Related U.S. Application Data**

(62) Division of application No. 29/679,143, filed on Feb. 1, 2019, now Pat. No. Des. 879,982, which is a (Continued)

(51) **LOC (12) Cl.** ..... **28-03**

(52) **U.S. Cl.**  
USPC ..... **D24/200**

(58) **Field of Classification Search**  
USPC ..... D24/200, 107, 164; D2/828-829  
CPC ..... A61H 9/00; A61H 9/005; A61H 9/0071; A61H 9/0007; A61H 9/0078; A61H 7/004; A61H 23/00; A61H 23/006; A61H 23/02; A61H 23/0218; A61H 23/04; A61H 2023/045; A41D 13/0518

See application file for complete search history.

(56) **References Cited**

U.S. PATENT DOCUMENTS

2,869,537 A 1/1959 Chu  
3,053,250 A 9/1962 Stubbs  
(Continued)

OTHER PUBLICATIONS

Hodsden, Suzanne, "Hill-Rom Unveils Mobile, Connected Airway Clearance System for Patients On the Move" May 2, 2017, [online], [site visited Jun. 14, 2018]. Retrieved from Internet: <URL: https://www.meddeviceonline.com/doc/hill-rom-unveils-mobile-connected-air-way-clearance-system-for-patients-on-the-move-0001>.

(Continued)

*Primary Examiner* — Wan Laymon

(74) *Attorney, Agent, or Firm* — Barnes & Thornburg LLP

(57) **CLAIM**

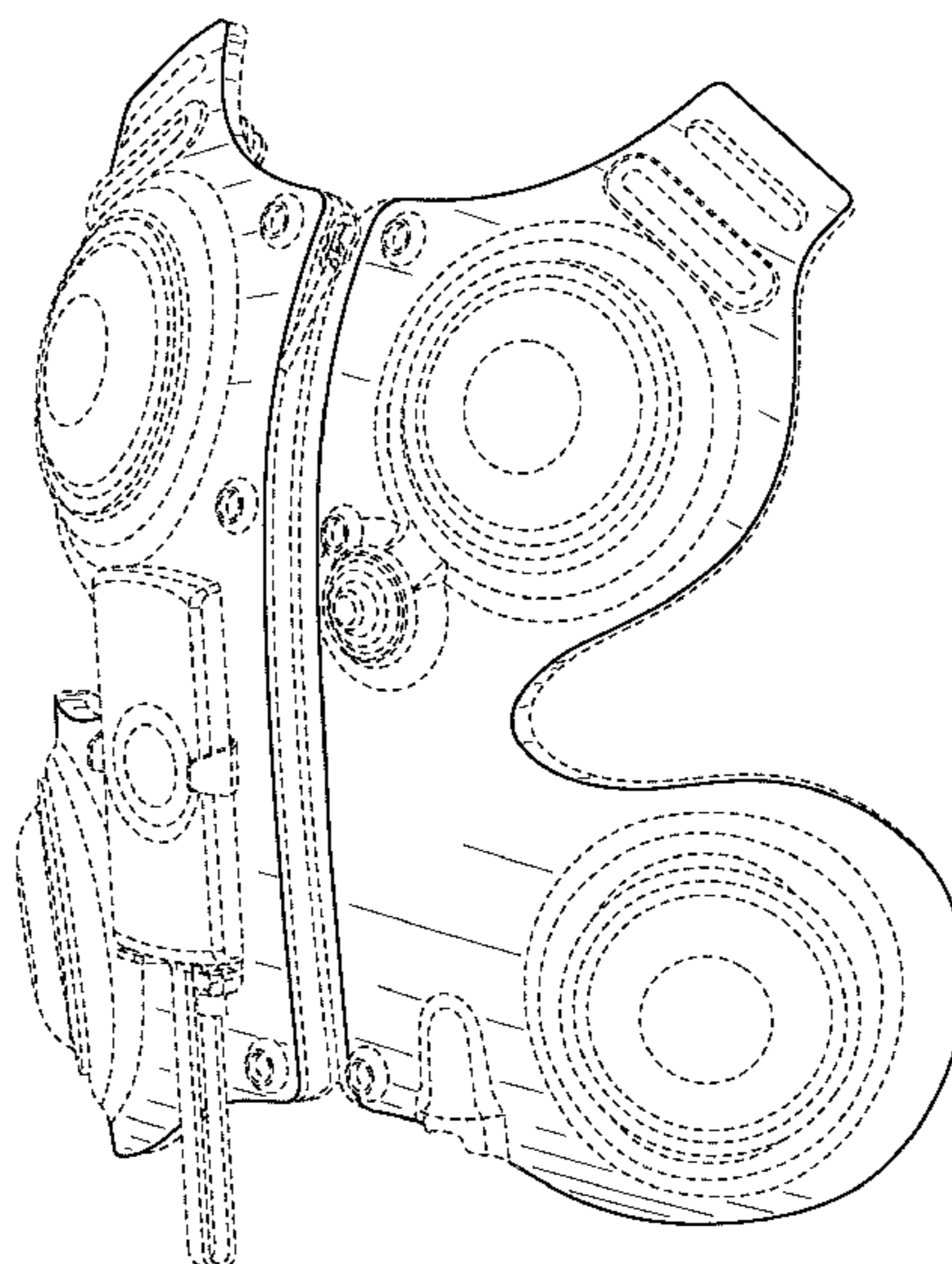
The ornamental design for a front portion of a percussive high frequency chest wall oscillation system, as shown and described.

**DESCRIPTION**

FIG. 1 is a front perspective view of a front portion of a percussive high frequency chest wall oscillation system in accordance with the present design; FIG. 2 is a front elevation view thereof; FIG. 3 is a rear elevation view thereof; FIG. 4 is a right side elevation view thereof; FIG. 5 is left side elevation view thereof; FIG. 6 is a top plan view thereof; and, FIG. 7 is a bottom plan view thereof.

The broken lines showing the remainder of the front portion of a percussive high frequency chest wall oscillation system are directed to environment. None of the broken lines form a part of the claimed design.

**1 Claim, 5 Drawing Sheets**



**Related U.S. Application Data**

division of application No. 29/594,771, filed on Feb. 22, 2017, now Pat. No. Des. 852,969.

(56)

**References Cited**

U.S. PATENT DOCUMENTS

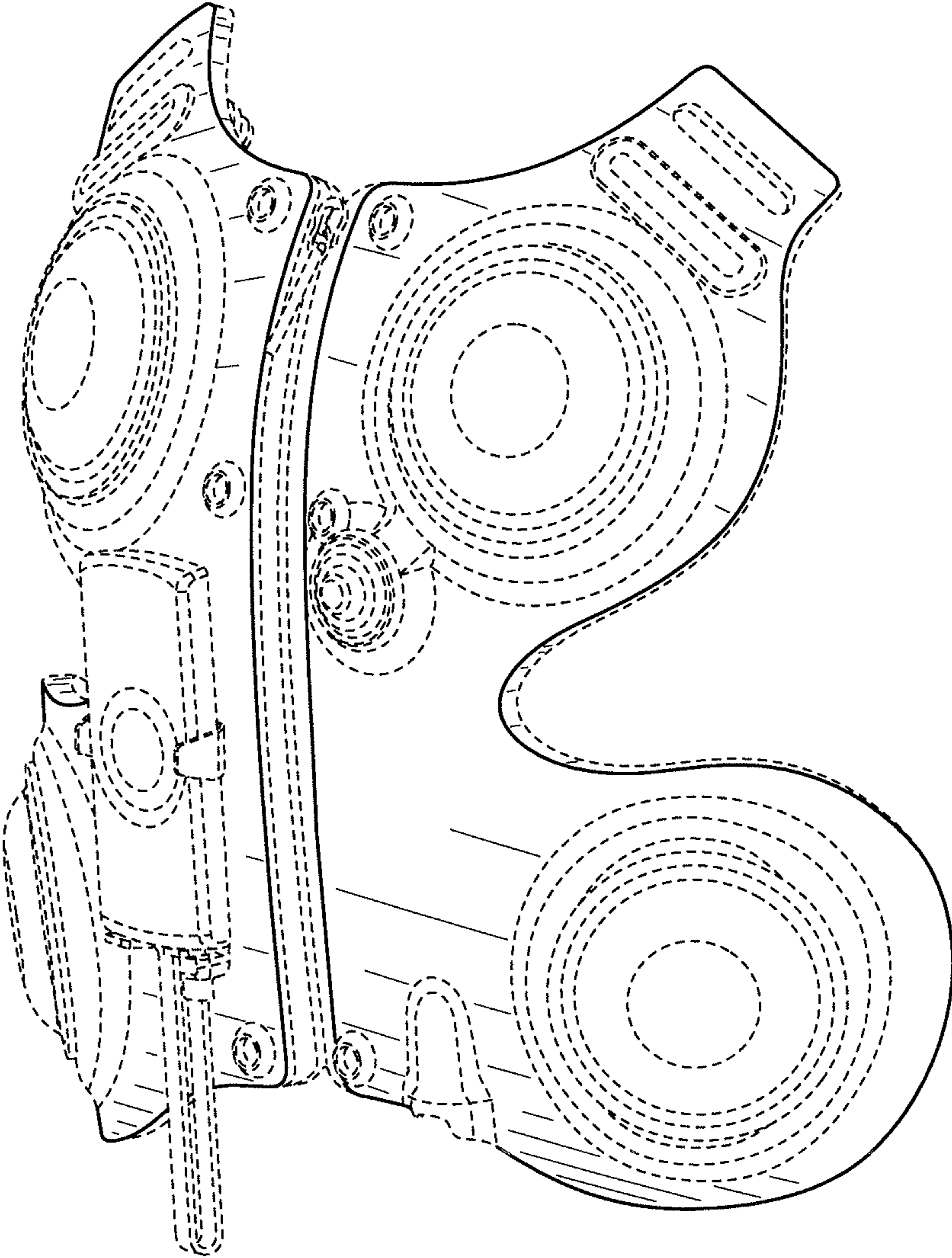
5,235,967	A	8/1993	Arbisi et al.
D456,591	S	5/2002	Hansen
D461,897	S	8/2002	Hansen et al.
D469,876	S	2/2003	Hansen et al.
D478,989	S	8/2003	Hansen et al.
D495,804	S	9/2004	Nan
6,958,047	B2	10/2005	DeVlieger
7,115,104	B2	10/2006	Van Brunt et al.
7,931,607	B2	4/2011	Biondo et al.
D639,954	S	6/2011	Helgeson et al.
8,460,223	B2	6/2013	Huster et al.
D704,849	S	5/2014	Hunter
9,237,982	B2	1/2016	Van Brunt
9,549,869	B2	1/2017	DeVlieger et al.
9,968,511	B2	5/2018	Huster et al.
10,251,810	B2*	4/2019	Shockley, Jr. .... A61H 23/0218

D852,969	S	7/2019	Bobey et al.
D879,982	S	3/2020	Bobey et al.
2004/0133133	A1	7/2004	Dreimann et al.
2006/0005306	A1	1/2006	Call et al.
2008/0108914	A1	5/2008	Brouqueyre et al.
2008/0188834	A1	8/2008	Balducci
2009/0192421	A1	7/2009	Huster et al.
2011/0087143	A1	4/2011	Bobey et al.
2012/0291798	A1	11/2012	Park et al.
2014/0005579	A1	1/2014	Drlik et al.
2014/0276271	A1	9/2014	Stryker et al.
2016/0095790	A1	4/2016	Shockley, Jr. et al.
2018/0049939	A1	2/2018	Bobey et al.
2019/0105225	A1	4/2019	Brenner et al.

OTHER PUBLICATIONS

Hill-Rom | Respiratory Care | Monarch™ Airway Clearance System 3D Animation Video, published on Jun. 26, 2017, [Online], [site visited Jun. 14, 2018]. Retrieved from Internet: <URL: [https://www.youtube.com/results?search\\_query=monarch+airway+clearance+system](https://www.youtube.com/results?search_query=monarch+airway+clearance+system)>.

\* cited by examiner



*FIG. 1*

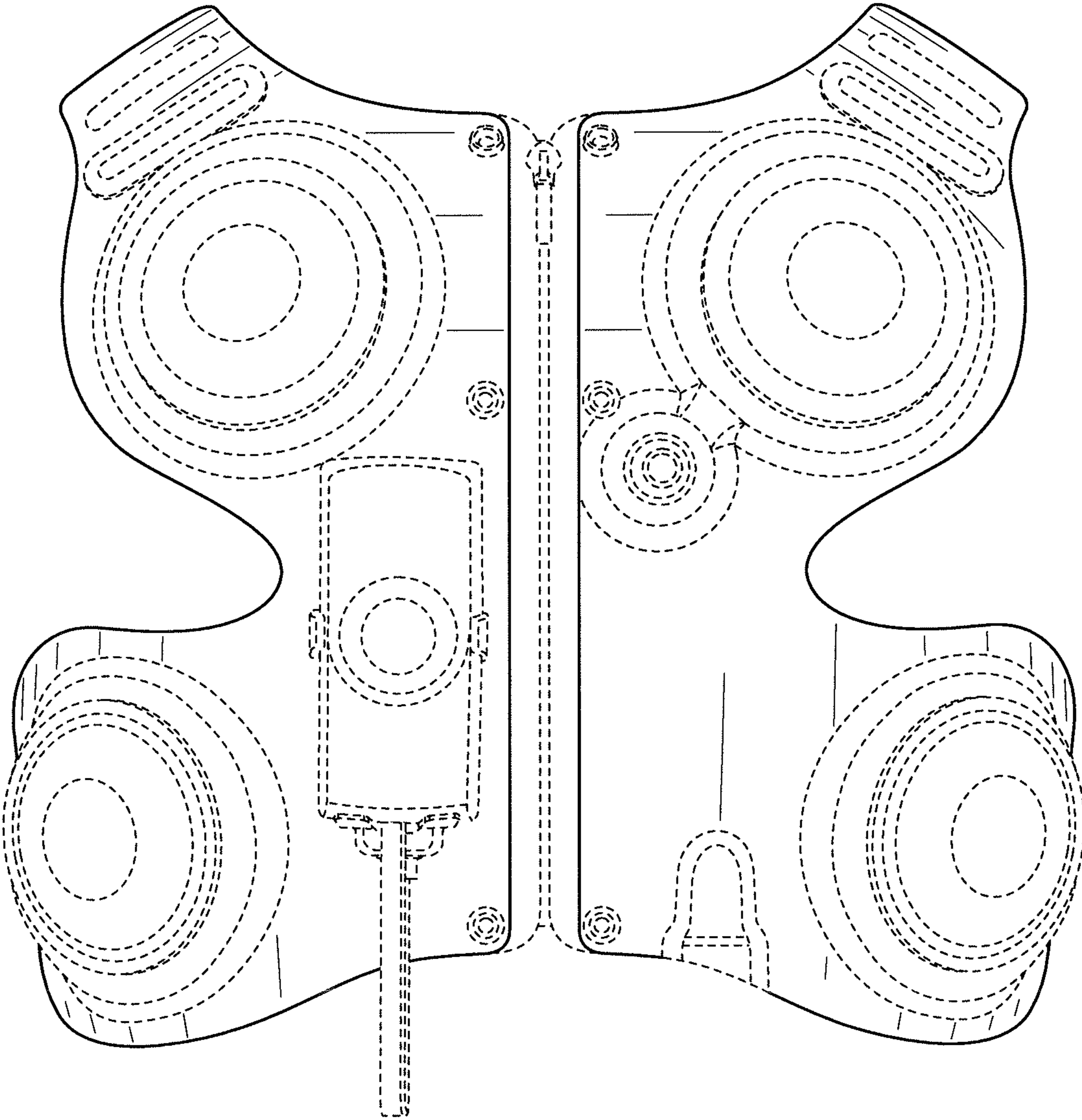
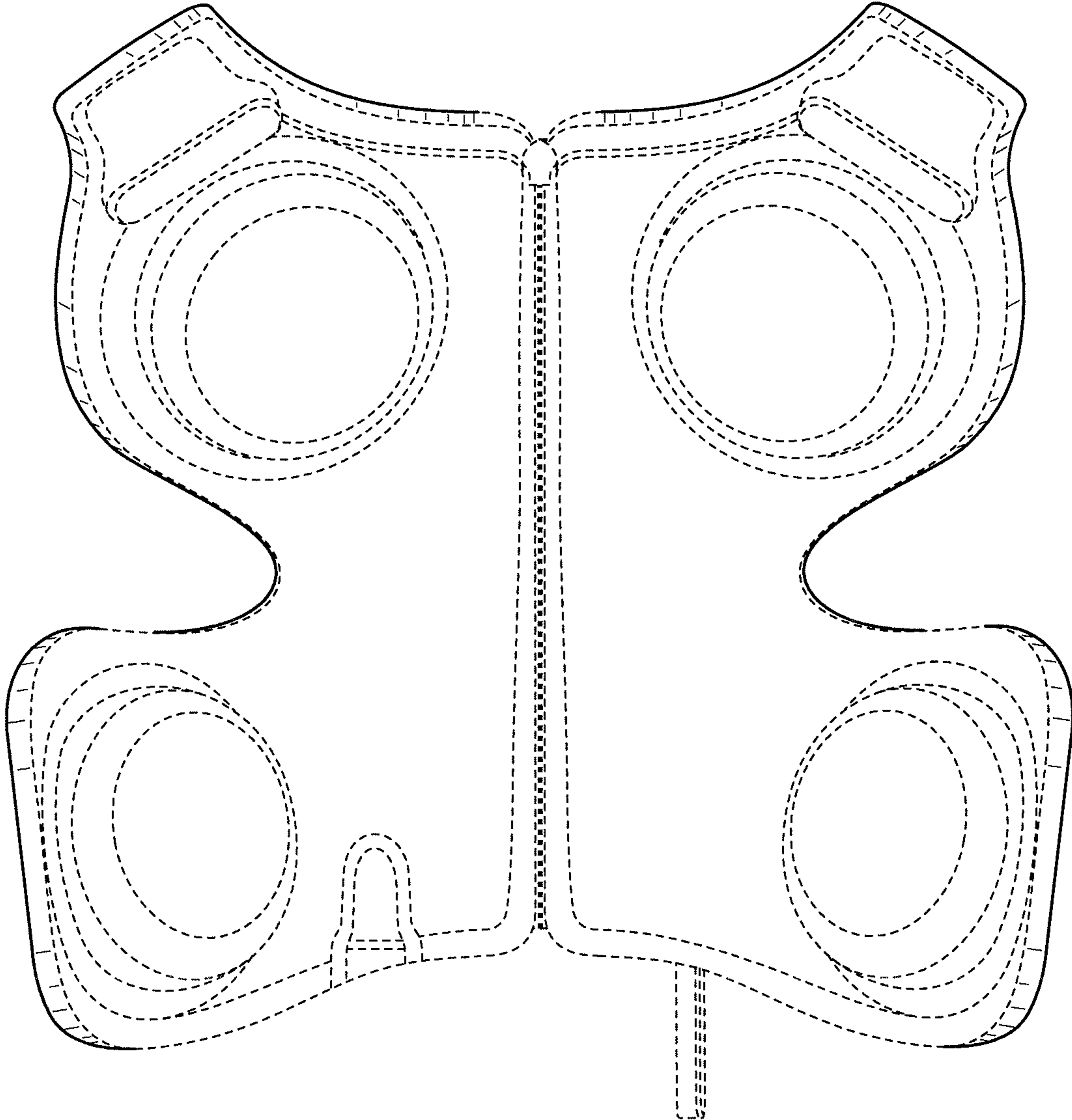
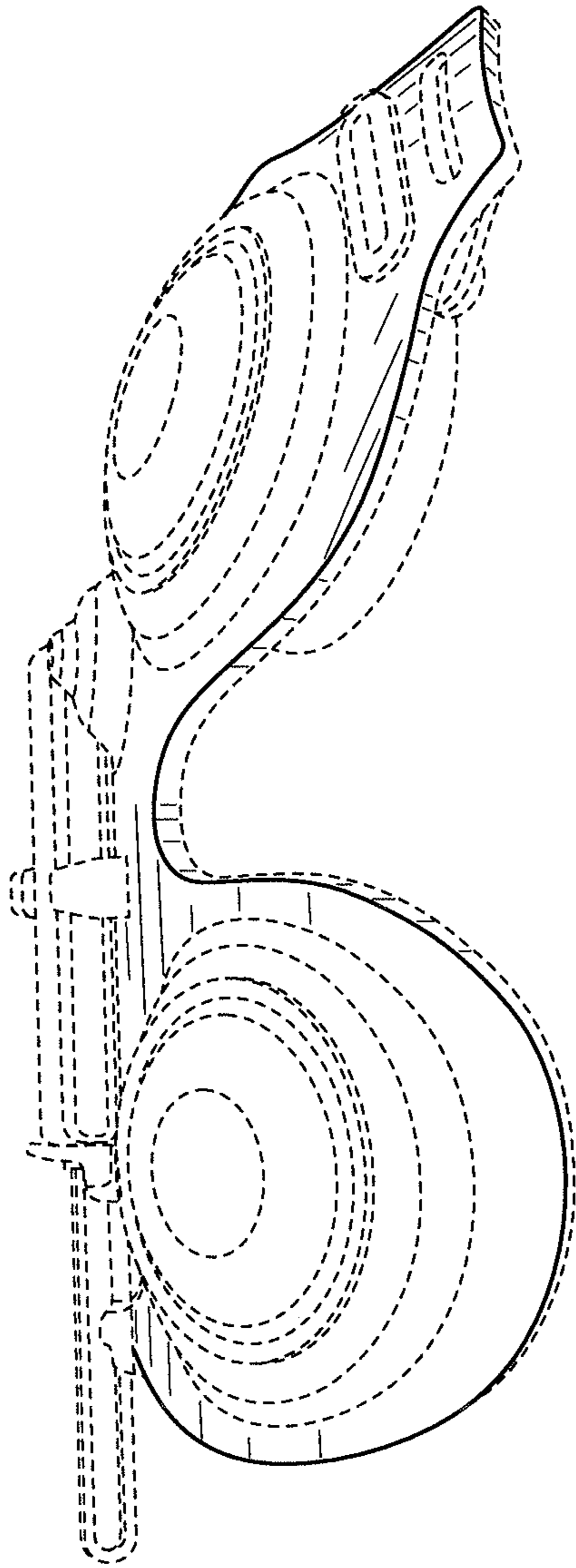


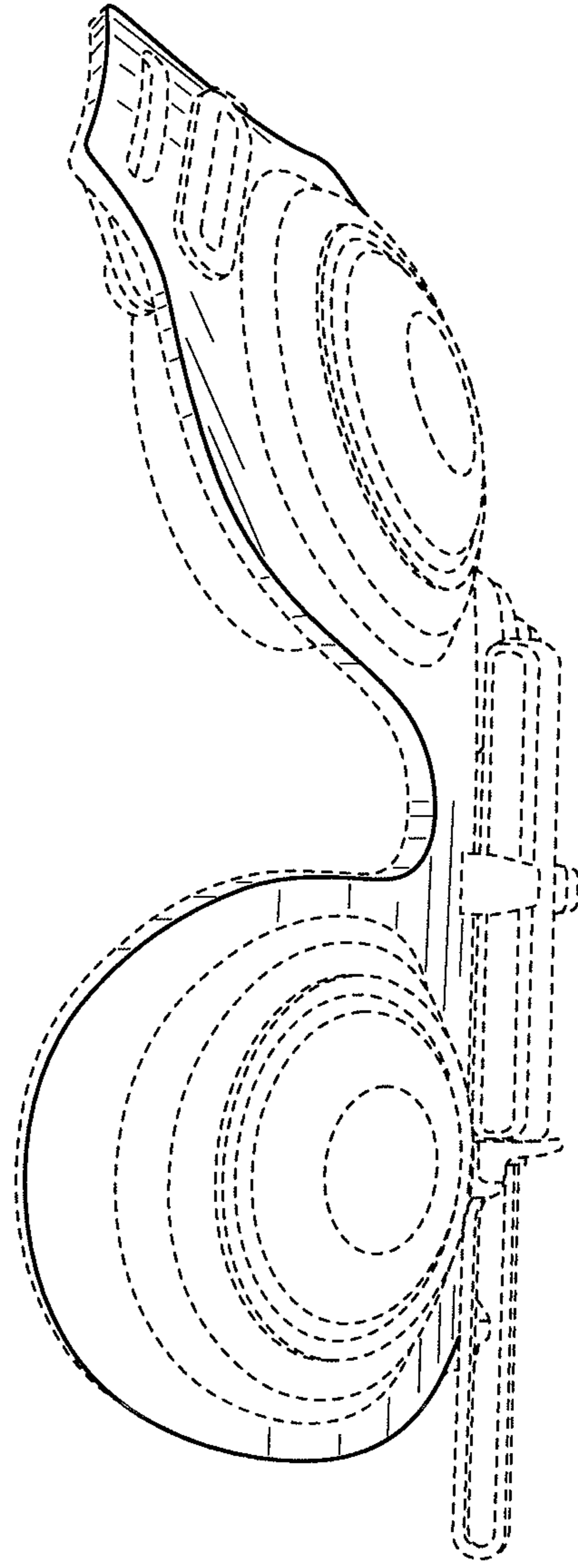
FIG. 2



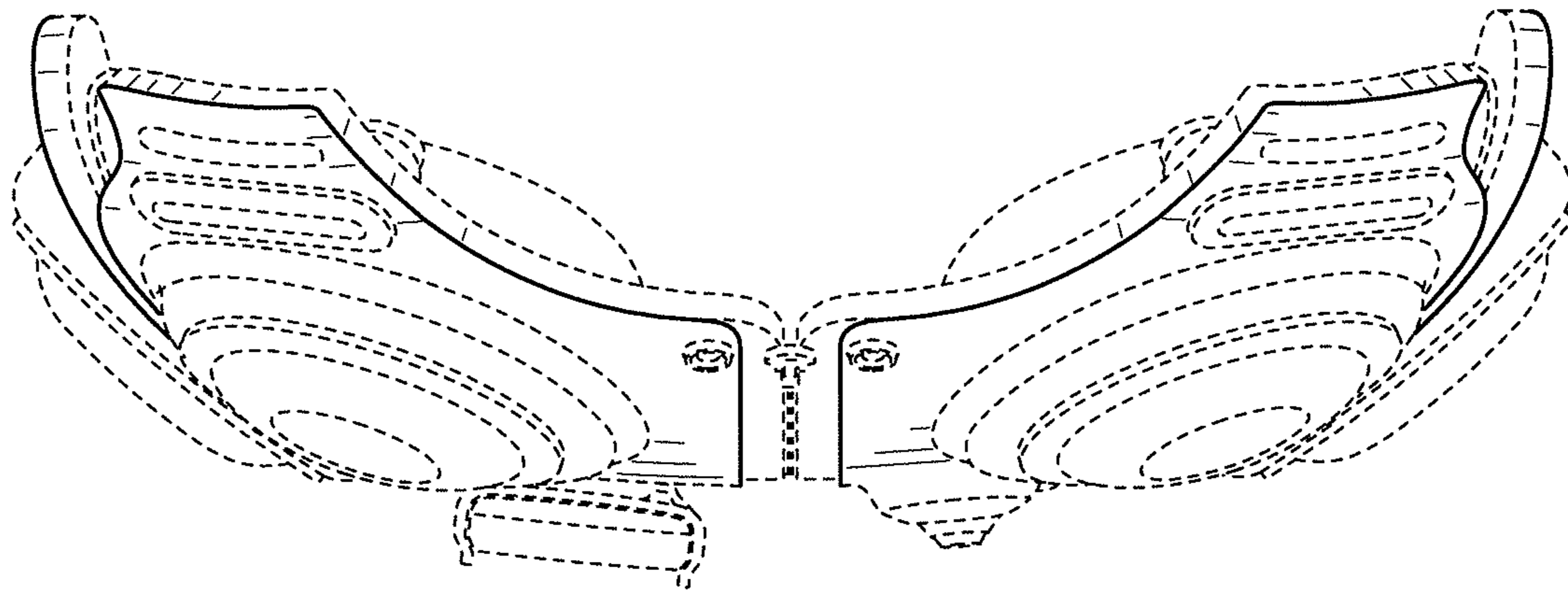
*FIG. 3*



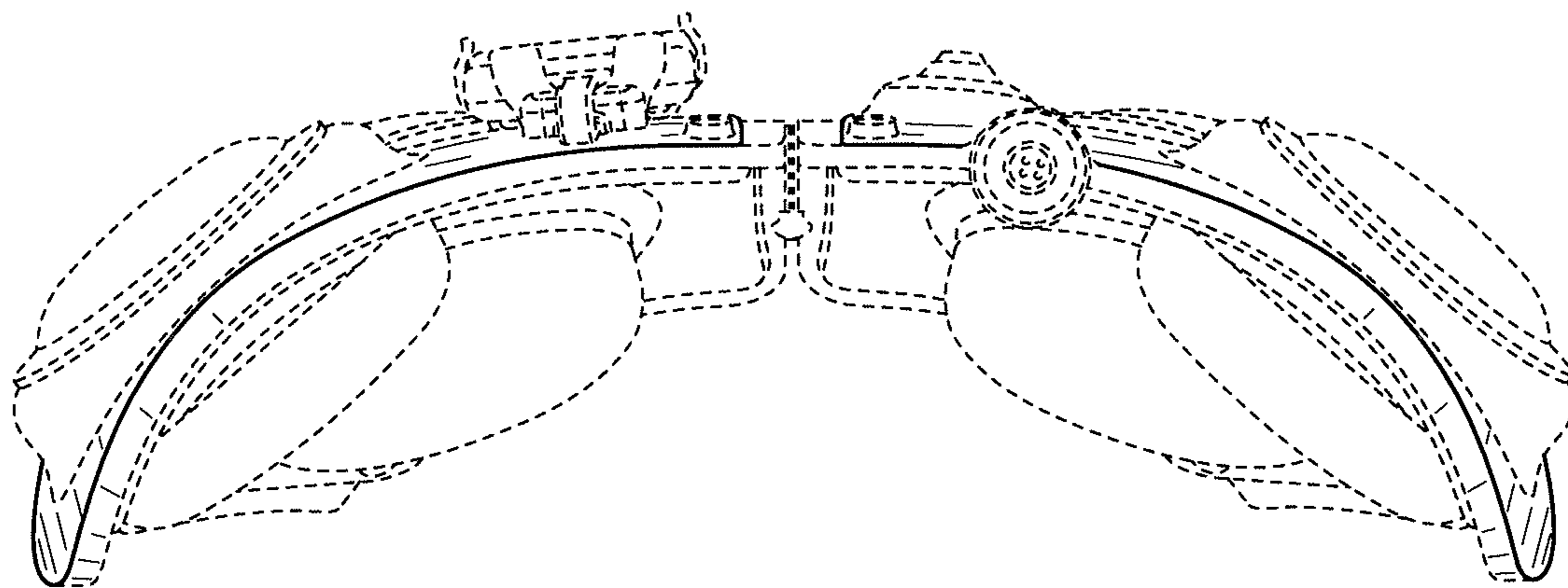
*FIG. 4*



*FIG. 5*



*FIG. 6*



*FIG. 7*