



US00D898922S

(12) **United States Design Patent** (10) **Patent No.:** **US D898,922 S**  
**Nally et al.** (45) **Date of Patent:** **\*\* Oct. 13, 2020**

- (54) **MOBILE STAND ASSEMBLY**
- (71) Applicant: **FUJIFILM SONOSITE, INC.**,  
Bothell, WA (US)
- (72) Inventors: **Patrick Nally**, Bothell, WA (US);  
**Craig Chamberlain**, Bothell, WA (US);  
**Ben Dekock**, Bothell, WA (US); **Tyler Dawson**, Bothell, WA (US)
- (73) Assignee: **FUJIFILM Sonosite, Inc.**, Bothell, WA (US)
- (\*\*) Term: **15 Years**
- (21) Appl. No.: **29/682,791**
- (22) Filed: **Mar. 7, 2019**
- (51) **LOC (12) Cl.** ..... **24-01**
- (52) **U.S. Cl.**  
USPC ..... **D24/186; D24/185**
- (58) **Field of Classification Search**  
USPC ..... D24/137, 138, 158–160, 185–187, 231;  
D34/14  
CPC ..... A61B 8/445; A61B 8/4455; A61B 8/4461;  
A61B 6/4405; A61B 6/4411; A61B 6/435; A61B 6/4441; A61B 6/4447; A61B 8/4405; A61B 8/4411; A61B 8/4427; A61B 8/462; A61B 8/0437; A61B 8/0883  
See application file for complete search history.

- D696,783 S \* 12/2013 Chung ..... D24/185  
D703,329 S \* 4/2014 Worcester ..... D24/185  
D708,341 S \* 7/2014 Ikegame ..... D24/185  
D712,042 S \* 8/2014 Chung ..... D24/185  
D739,538 S \* 9/2015 Bernal ..... D24/185  
D796,679 S \* 9/2017 Dekock ..... D24/158  
D857,901 S \* 8/2019 Arche ..... D24/160  
D865,972 S \* 11/2019 Jeanjean ..... D24/186  
2019/0380681 A1 \* 12/2019 Meurer ..... A61B 8/4427  
2020/0000430 A1 \* 1/2020 Chamberlain ..... A61B 8/0841

\* cited by examiner

*Primary Examiner* — Anhdao Doan

(74) *Attorney, Agent, or Firm* — Womble Bond Dickinson (US) LLP

(57) **CLAIM**

We claim the ornamental design for a mobile stand assembly, as shown and described.

**DESCRIPTION**

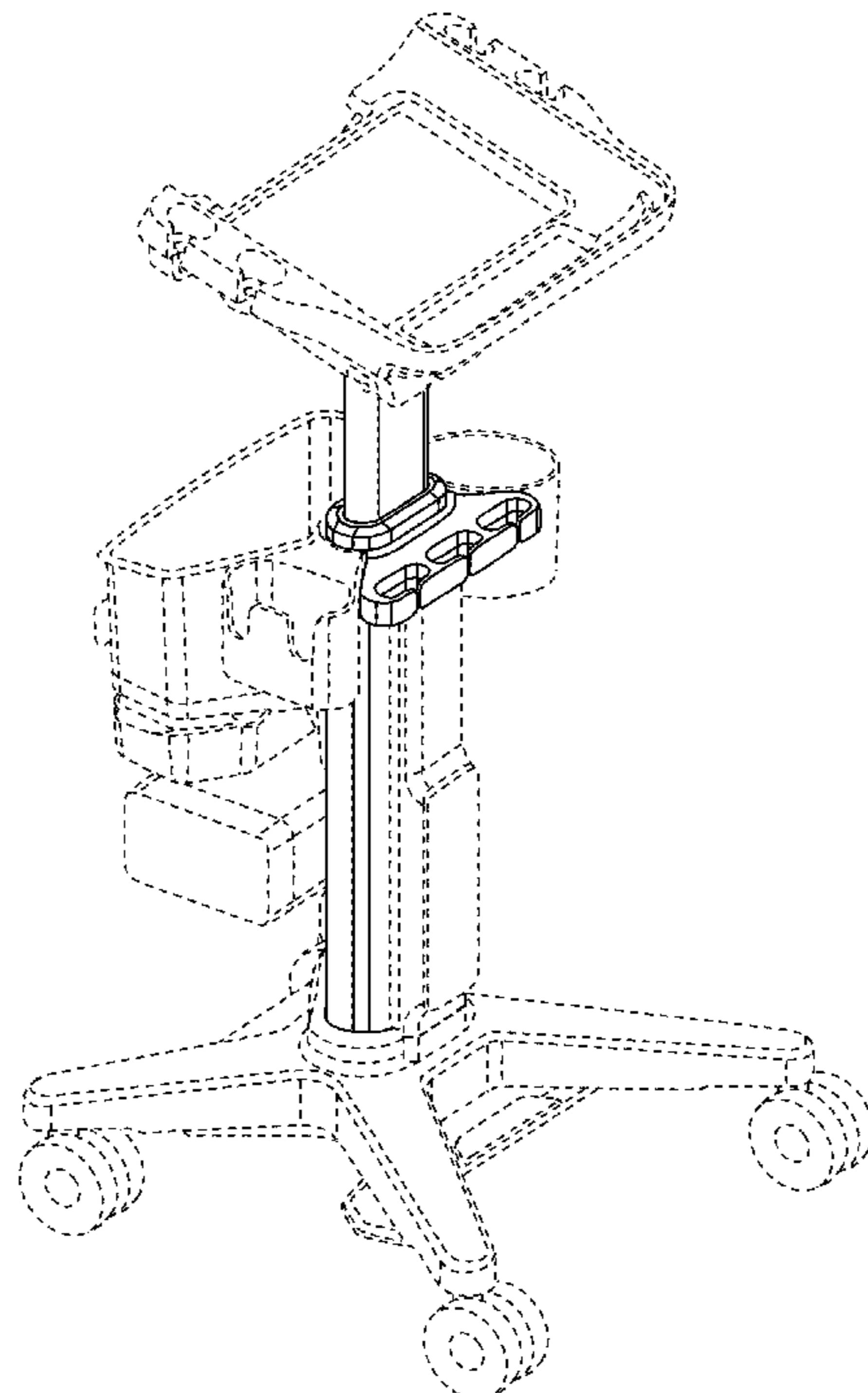
FIG. 1 is a top left front perspective view of a mobile stand assembly showing our new design;  
FIG. 2 is a front view thereof;  
FIG. 3 is a back view thereof;  
FIG. 4 is a right side view thereof;  
FIG. 5 is a left side view thereof;  
FIG. 6 is a top plan view thereof, showing without the broken lines intruded upon the design in order to depict the inner structure of the mobile stand assembly; and,  
FIG. 7 is a bottom plan view thereof, showing without the broken lines intruded upon the design in order to depict the inner structure of the mobile stand assembly.  
The dashed broken lines illustrate portions of the mobile stand assembly and form no part of the claimed design.

**1 Claim, 7 Drawing Sheets**

(56) **References Cited**

U.S. PATENT DOCUMENTS

- D559,390 S \* 1/2008 Diener ..... D24/186  
D606,202 S \* 12/2009 Banryu ..... D24/185



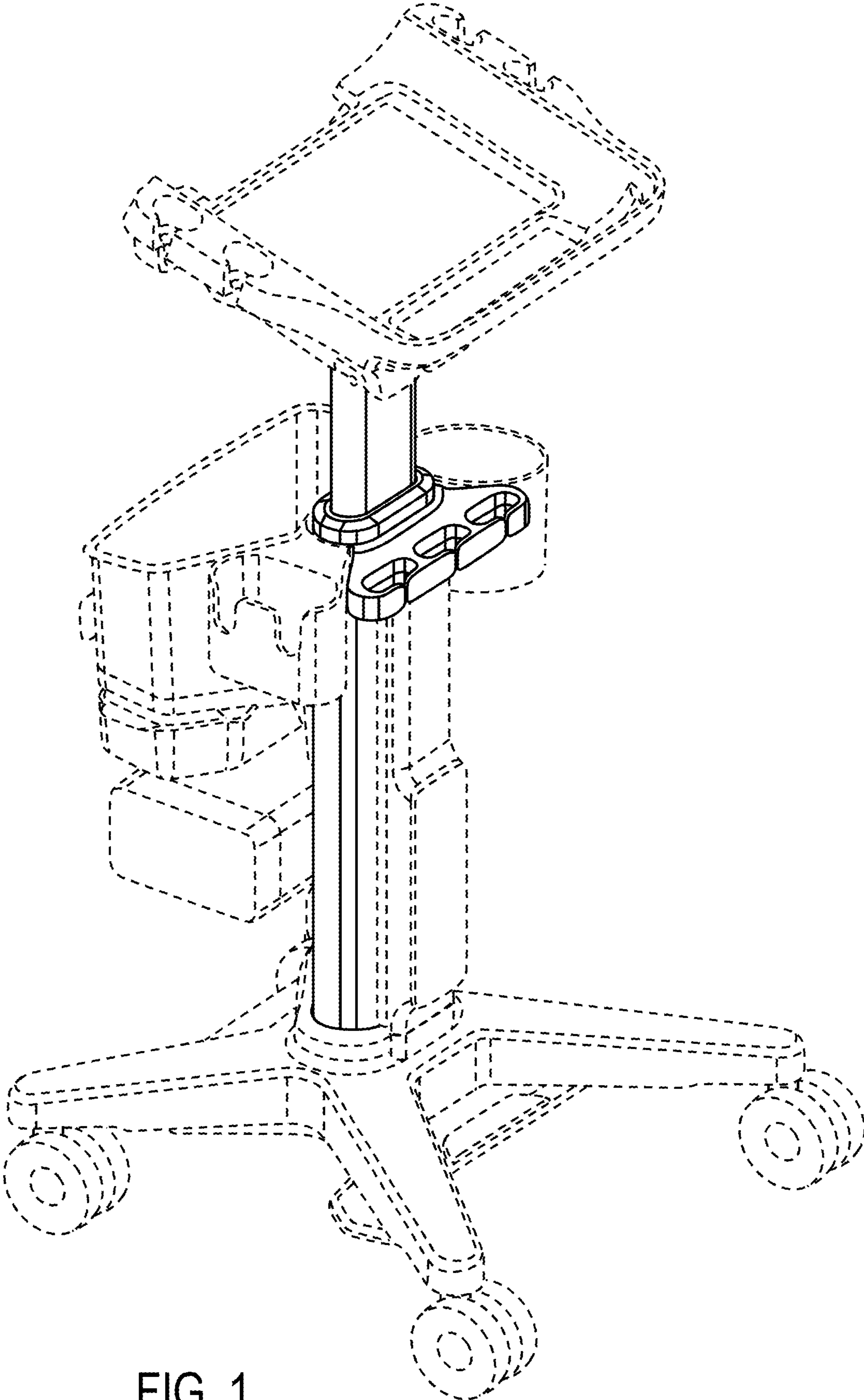


FIG. 1

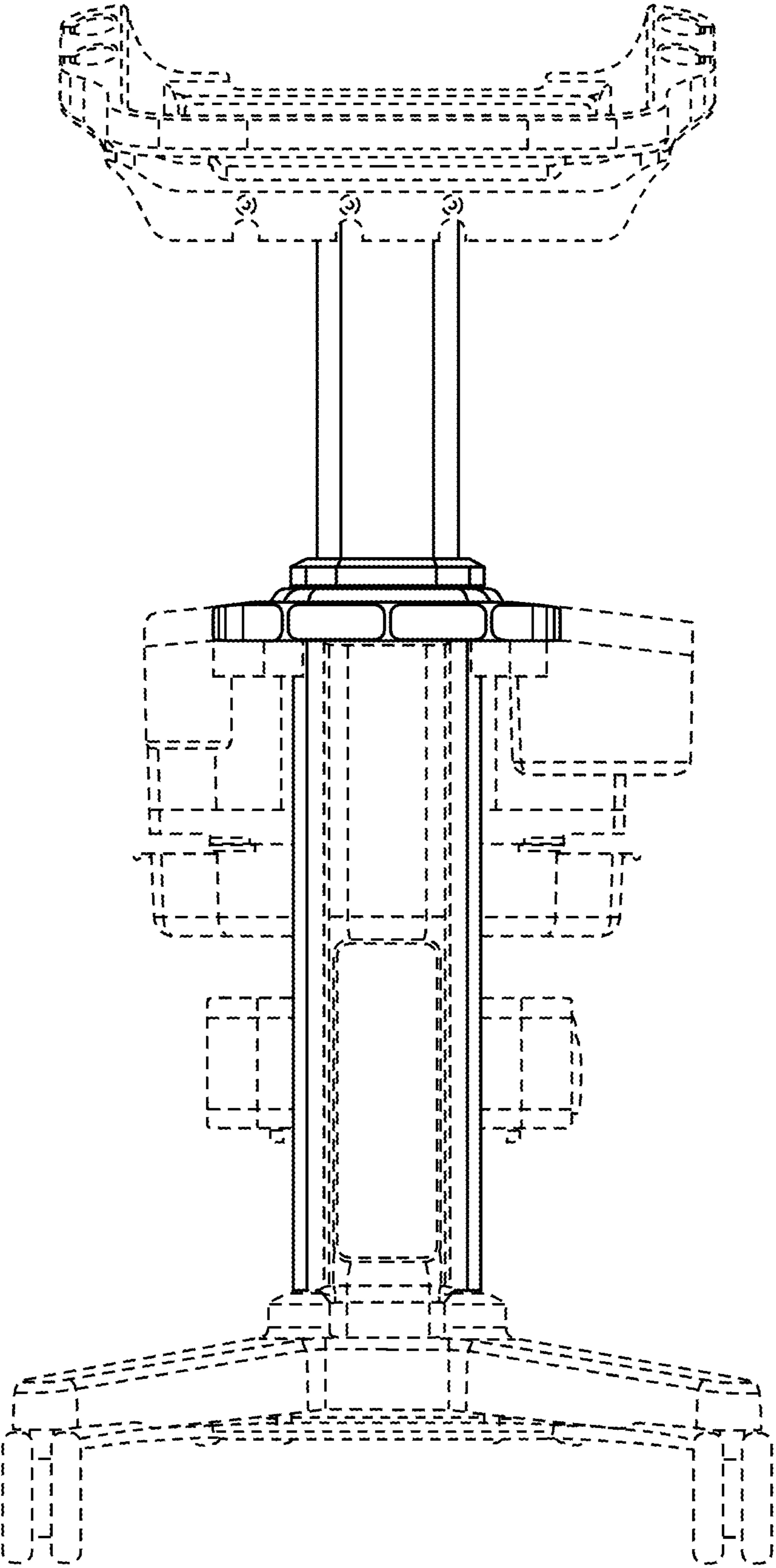


FIG. 2

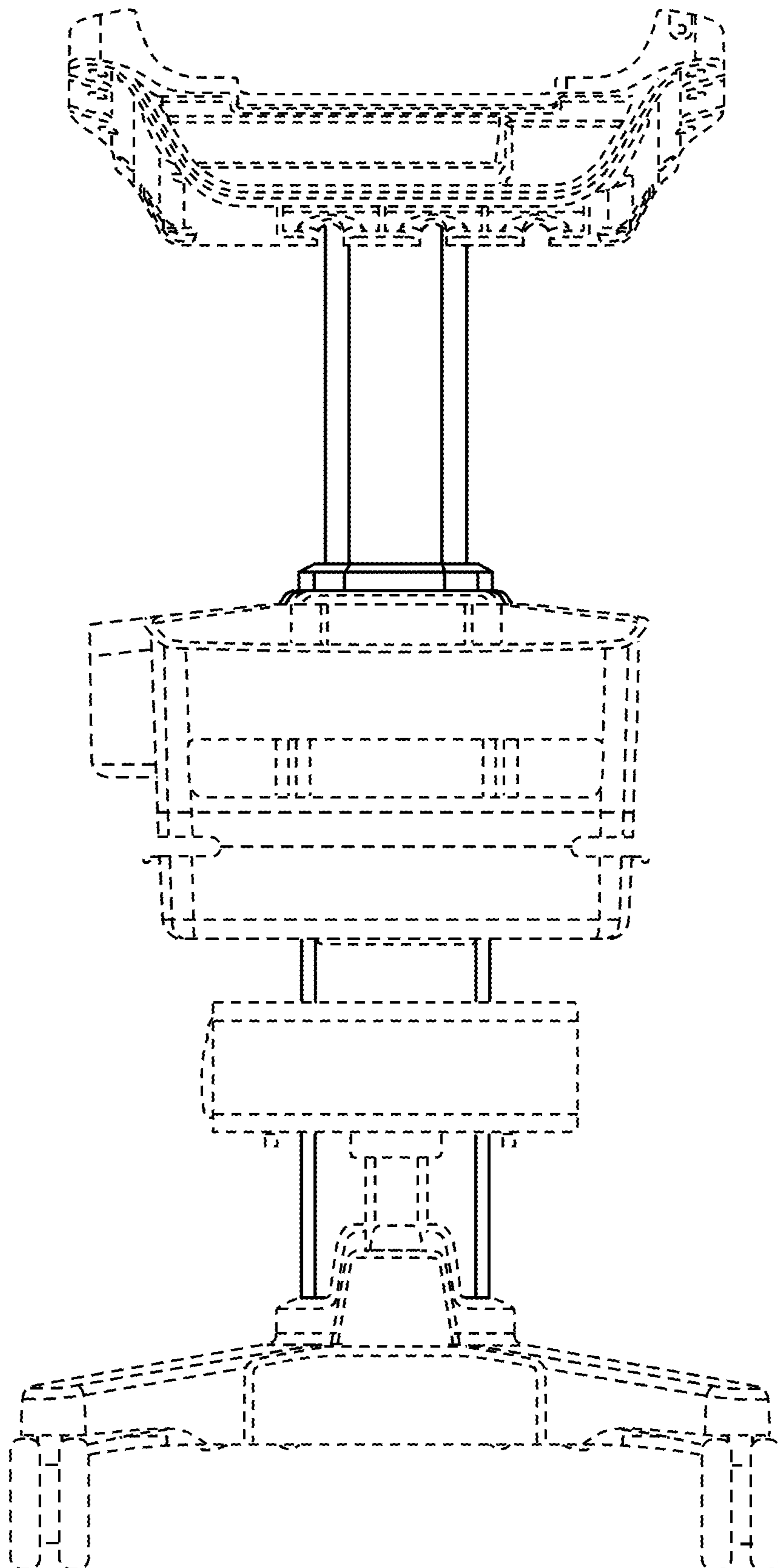


FIG. 3

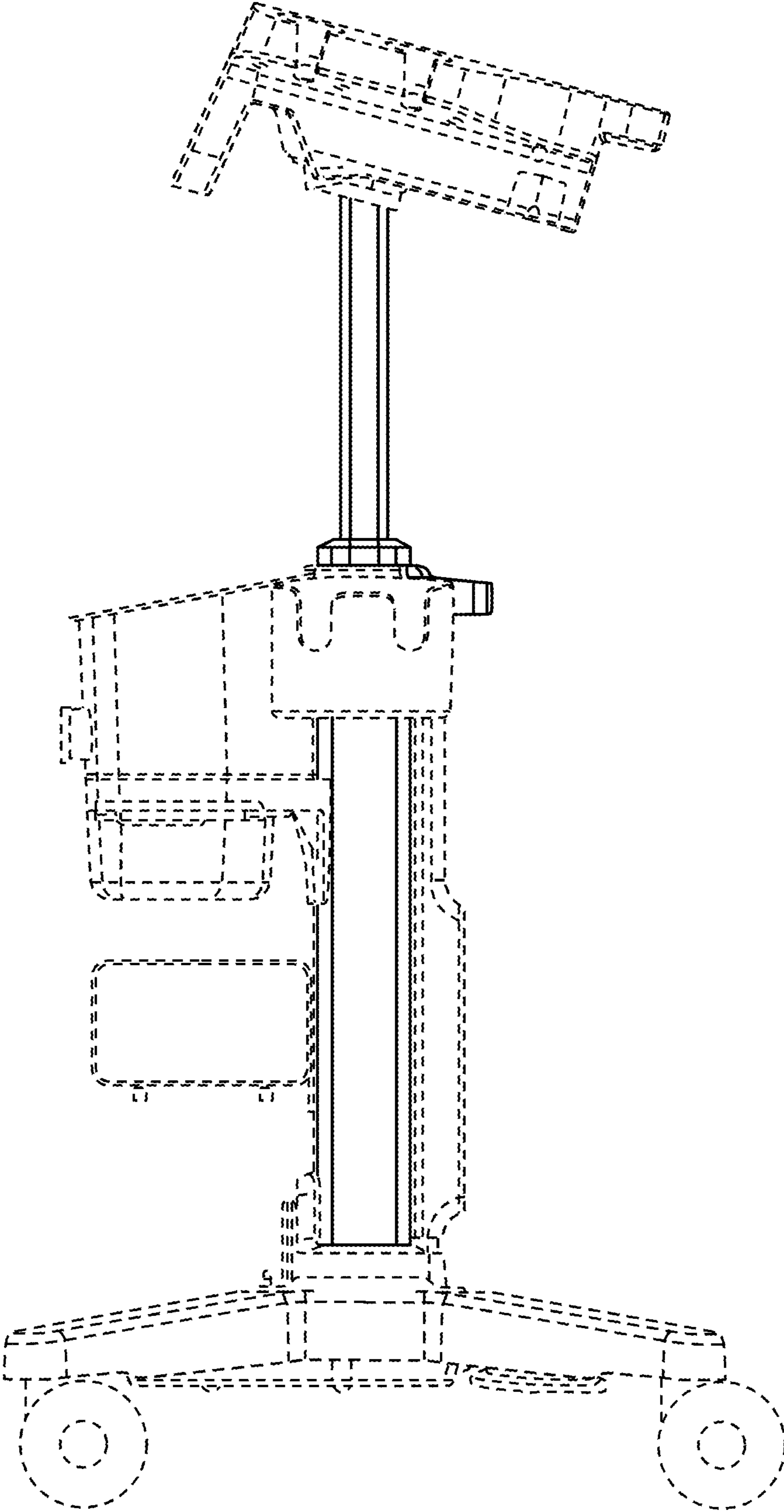


FIG. 4

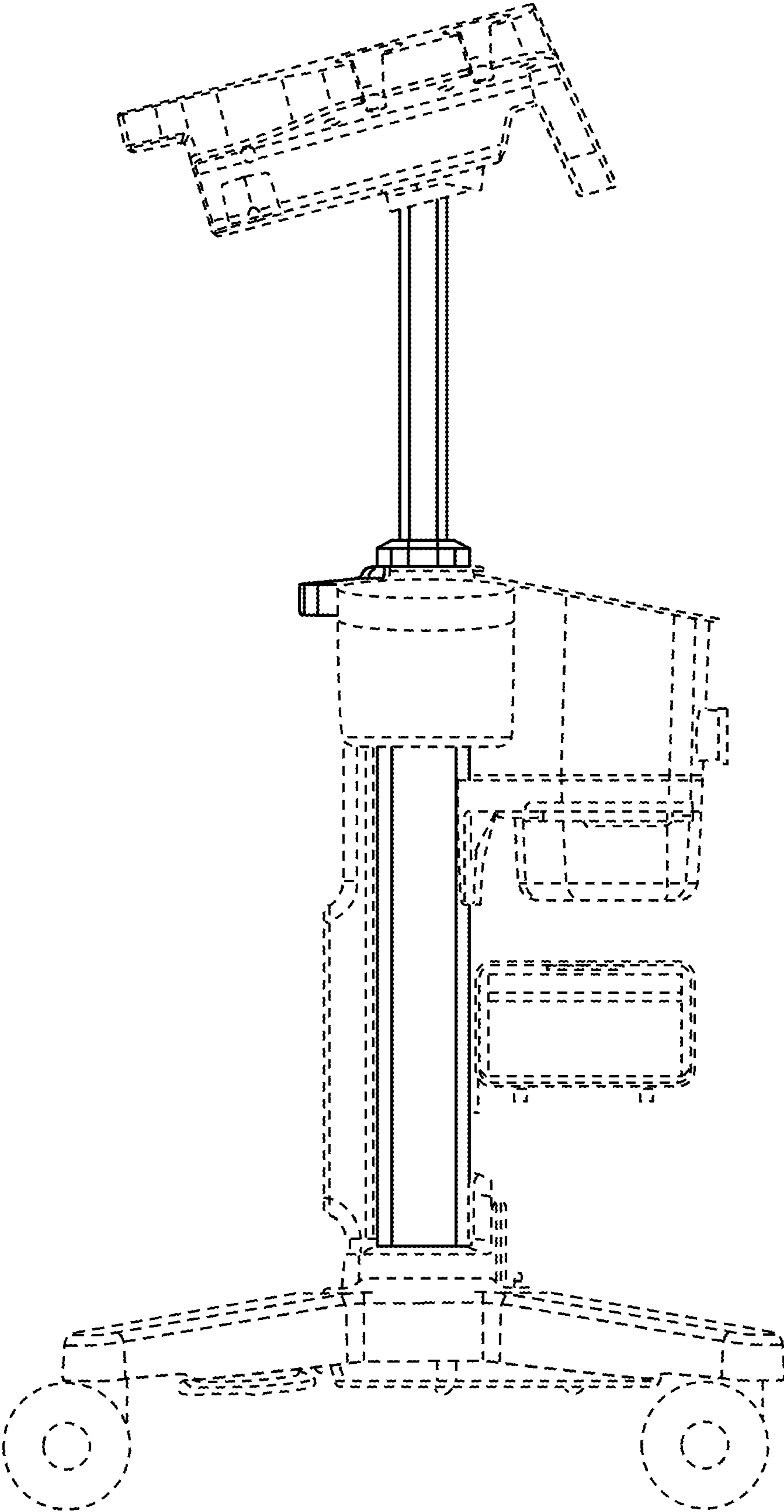


FIG. 5

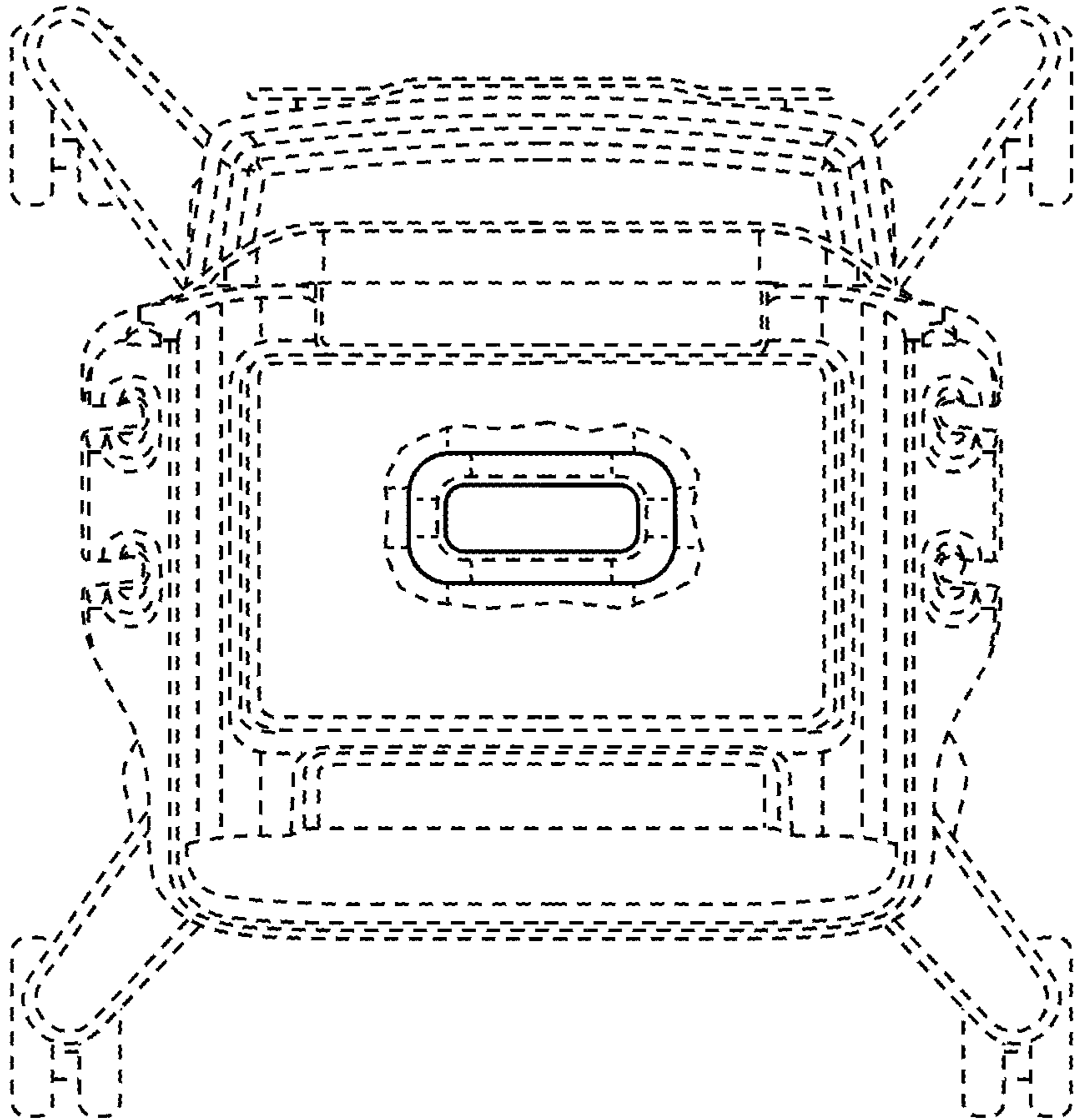


FIG. 6

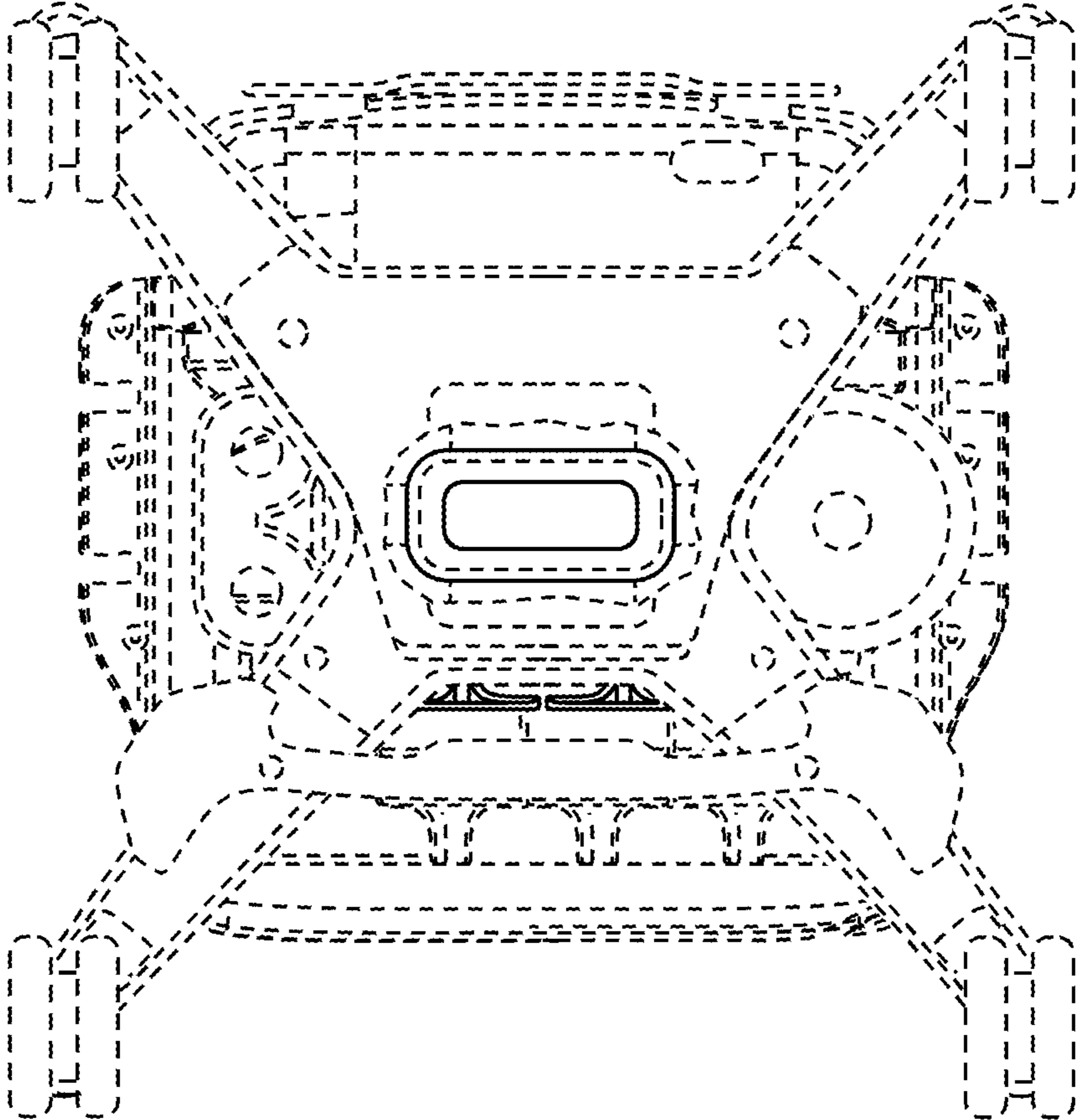


FIG. 7