



US00D898920S

(12) **United States Design Patent**
Houlihan

(10) **Patent No.:** **US D898,920 S**
(45) **Date of Patent:** **** Oct. 13, 2020**

(54) **SERVICE CART**

(71) Applicant: **Nancy A. Houlihan**, Brookline, MA
(US)

(72) Inventor: **Nancy A. Houlihan**, Brookline, MA
(US)

(**) Term: **15 Years**

(21) Appl. No.: **29/701,480**

(22) Filed: **Aug. 12, 2019**

Related U.S. Application Data

(62) Division of application No. 29/596,272, filed on Mar. 7, 2017, now Pat. No. Des. 861,879.

(51) **LOC (12) Cl.** **24-02**

(52) **U.S. Cl.**
USPC **D24/185**

(58) **Field of Classification Search**
USPC D24/185, 128, 164, 158, 172, 108, 160,
D24/232, 138, 170; D14/371; D10/81,
D10/93; D6/694, 406
CPC A61G 12/001; A61G 5/10; B62B 3/008;
B62B 3/104; A61M 5/1413; A61B 50/30
See application file for complete search history.

(56) **References Cited**

U.S. PATENT DOCUMENTS

944,560 A	12/1909	Joseph
1,409,609 A	3/1922	Stockle
1,599,911 A	9/1926	Morehart
1,653,657 A	12/1927	Pretsch
1,898,867 A	2/1933	Brown
2,805,905 A	9/1957	Levitan et al.
2,819,938 A	1/1958	Zerver
2,903,273 A	9/1959	Hennion
3,339,938 A	9/1967	Edmisson
4,715,573 A	12/1987	Liegel

4,756,496 A	7/1988	Hosan et al.
D302,618 S	8/1989	Gottselig
D302,889 S	8/1989	Goodwin
D325,440 S	4/1992	Landis
D348,999 S	7/1994	Bonazza
5,397,875 A	3/1995	Bechtold, Jr.
D361,420 S	8/1995	Rick
5,460,391 A	10/1995	Gantz et al.
5,791,534 A	8/1998	Davis et al.
D419,674 S *	1/2000	Schattner D24/128
6,116,690 A	9/2000	Larson
6,182,583 B1	2/2001	Larson
6,224,072 B1	5/2001	Weck et al.
7,090,072 B1	8/2006	Elliott
7,229,084 B2 *	6/2007	McKellar A61G 5/10 280/47.25
D548,918 S *	8/2007	Nussberger D34/17
D567,381 S *	4/2008	Olivera D24/185
7,490,837 B2	2/2009	Pond et al.

(Continued)

Primary Examiner — Rhea Shields
(74) *Attorney, Agent, or Firm* — Greenblum & Bernstein,
P.L.C.

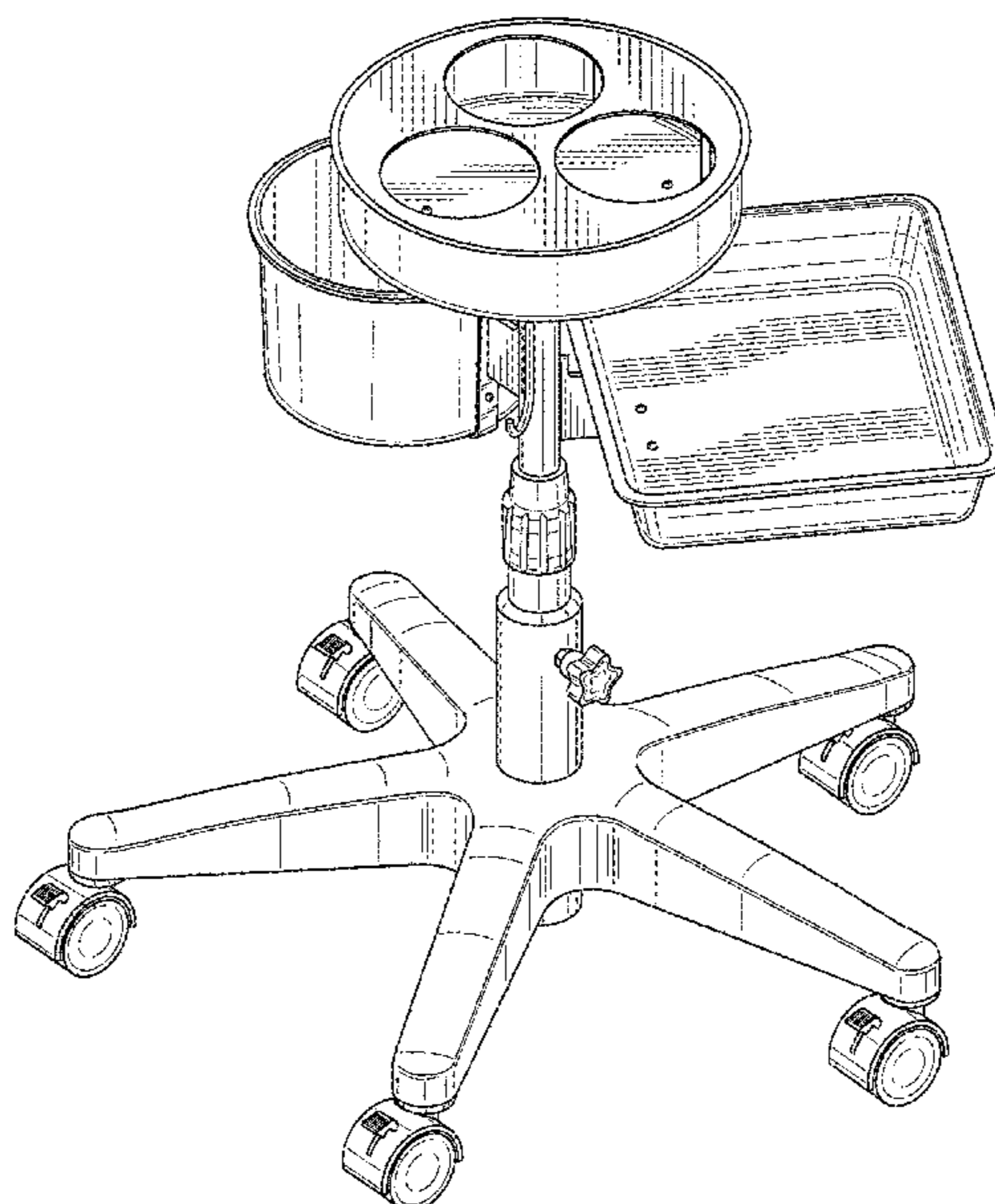
(57) **CLAIM**

I claim the ornamental design for a service cart, as shown and described.

DESCRIPTION

FIG. 1 shows a top front side perspective view a service cart according to the invention;
FIG. 2 shows a front view of FIG. 1;
FIG. 3 shows a back view of FIG. 1;
FIG. 4 shows a right side view of FIG. 1;
FIG. 5 shows a left side view of FIG. 1;
FIG. 6 shows a top view of FIG. 1; and,
FIG. 7 shows a bottom view of FIG. 1.
In the drawings, the broken lines are for the purpose of illustrating portions of the service cart that forms no part of the claimed design.

1 Claim, 7 Drawing Sheets



(56)

References Cited

U.S. PATENT DOCUMENTS

D588,272 S * 3/2009 Meiser D24/185
 D606,202 S * 12/2009 Banryu D24/185
 D618,356 S * 6/2010 Ross D24/185
 8,197,428 B2 6/2012 Helgeson et al.
 8,286,977 B2 * 10/2012 Butler A61G 12/001
 280/47.34
 D712,042 S * 8/2014 Chung D24/185
 D712,539 S * 9/2014 Hansen D24/158
 D722,696 S * 2/2015 Blomquist D24/164
 D730,011 S 5/2015 McRorie
 9,079,600 B2 7/2015 Houlihan
 D735,868 S * 8/2015 Mareguddi D24/185
 D739,538 S * 9/2015 Bernal D24/185
 D743,036 S * 11/2015 Boukhny D24/172
 D746,925 S * 1/2016 Firth D10/93
 D749,223 S * 2/2016 Vargas D24/185
 D752,232 S * 3/2016 Hacker D24/185
 9,463,069 B2 * 10/2016 Dunworth A61B 50/30
 D773,748 S * 12/2016 Childs D29/130
 D774,322 S * 12/2016 Schmauch D6/406.5
 D786,522 S * 5/2017 Houlihan B62B 3/008
 D34/14
 D796,679 S * 9/2017 Dekock D24/158
 D803,386 S * 11/2017 Sabin D24/108
 D804,671 S * 12/2017 Yanase D24/160
 D810,305 S * 2/2018 Zhang D24/185

D819,214 S * 5/2018 Katz D24/172
 D819,216 S * 5/2018 Ohno D24/185
 D824,521 S * 7/2018 Adams D24/158
 10,060,571 B2 * 8/2018 Koehler A61M 5/1413
 D834,015 S * 11/2018 Case D14/371
 D834,724 S * 11/2018 Mathers D24/232
 D834,860 S * 12/2018 McKenna D6/694
 D838,613 S * 1/2019 Barton D10/81
 D840,536 S * 2/2019 Clifford D24/138
 D840,542 S * 2/2019 Lapaev D24/170
 D846,127 S * 4/2019 Yang D24/185
 D849,953 S * 5/2019 Lapaev D24/170
 D852,285 S * 6/2019 Qi D21/578
 D852,963 S * 7/2019 Shuart D24/185
 D854,188 S * 7/2019 Schaeken D24/232
 D859,634 S * 9/2019 Hochman D24/108
 D860,464 S * 9/2019 Caywood D24/185
 D861,879 S * 10/2019 Houlihan D24/185
 D862,026 S * 10/2019 Carzola D34/14
 D863,559 S * 10/2019 Brooks D24/185
 10,486,722 B2 * 11/2019 Alves De Moraes .. B62B 3/104
 D868,970 S * 12/2019 Kwak D24/158
 2001/0015535 A1 8/2001 Weck et al.
 2002/0044059 A1 4/2002 Reeder et al.
 2004/0135045 A1 7/2004 Larson
 2012/0217710 A1 * 8/2012 Houlihan B62B 3/008
 280/35
 2013/0200579 A1 8/2013 Abernethy

* cited by examiner

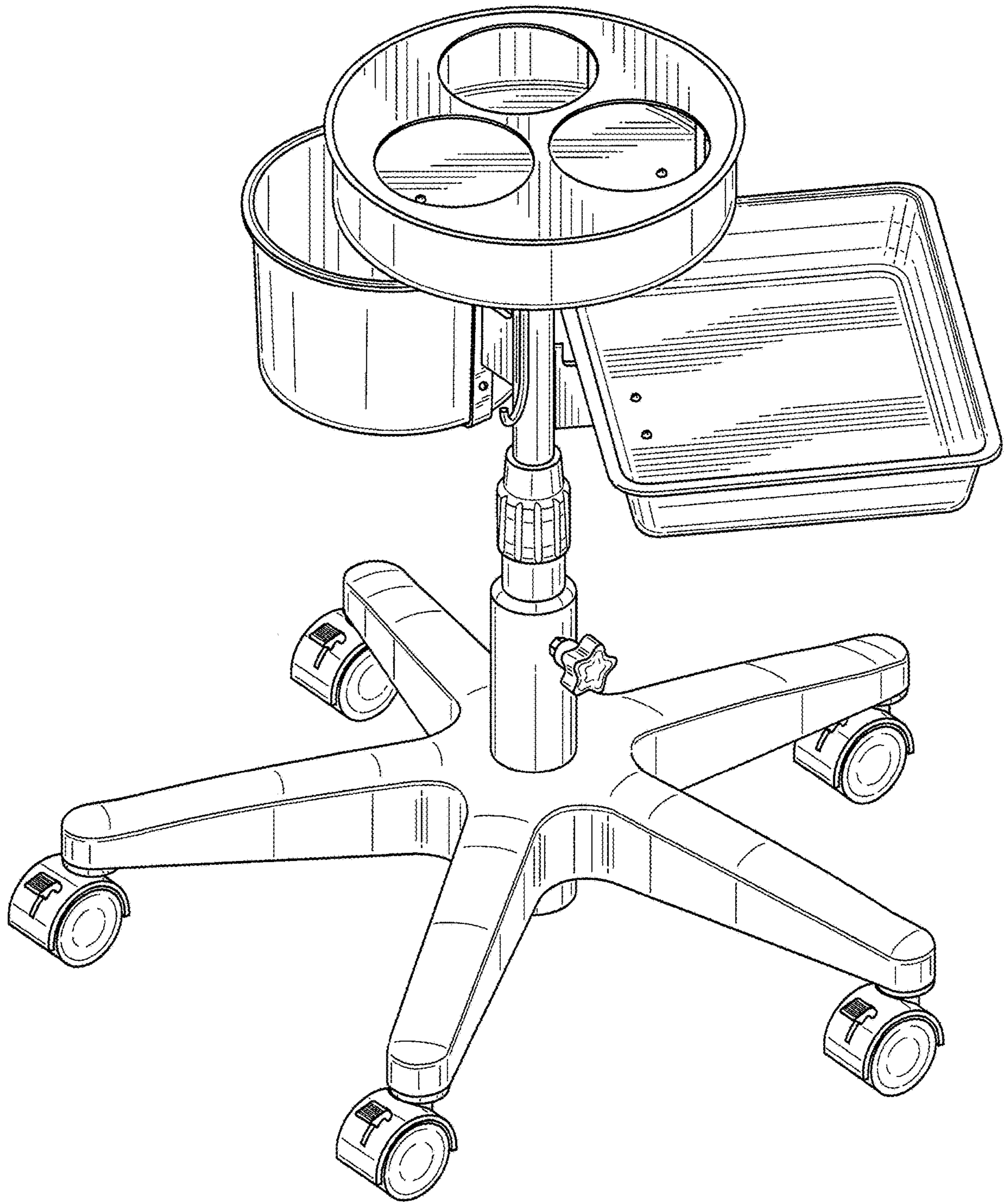


FIG. 1

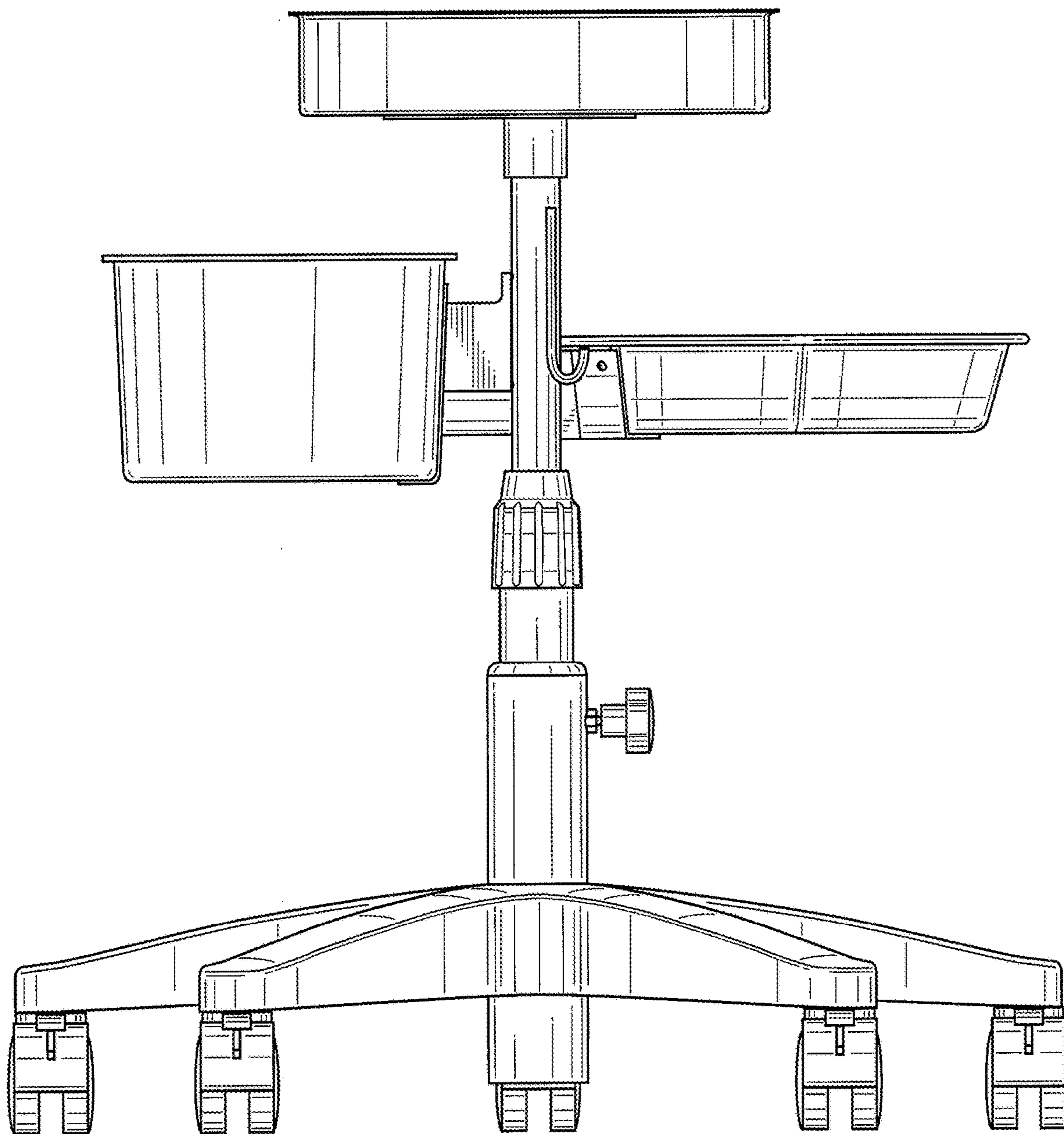


FIG. 2

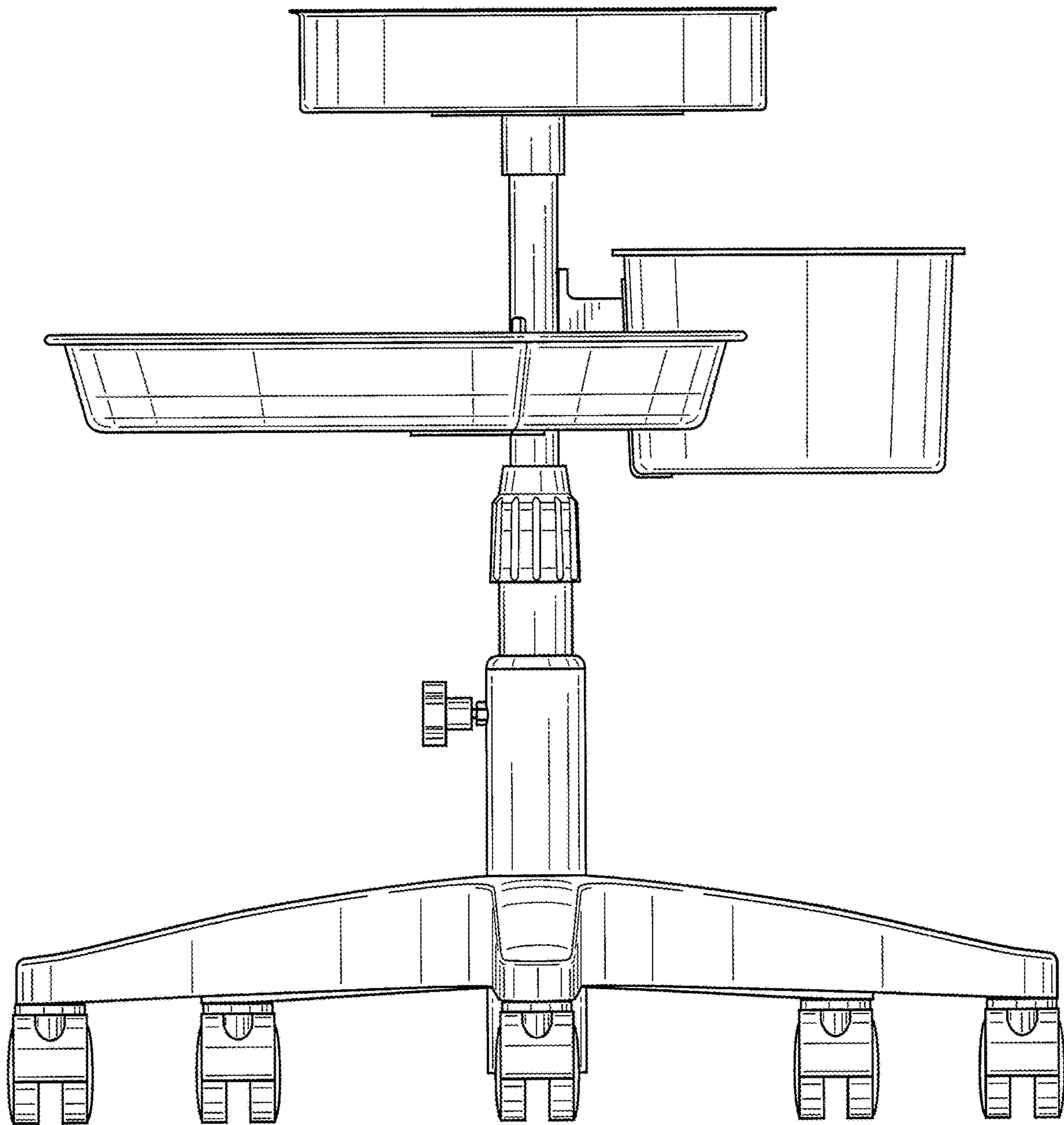


FIG. 3

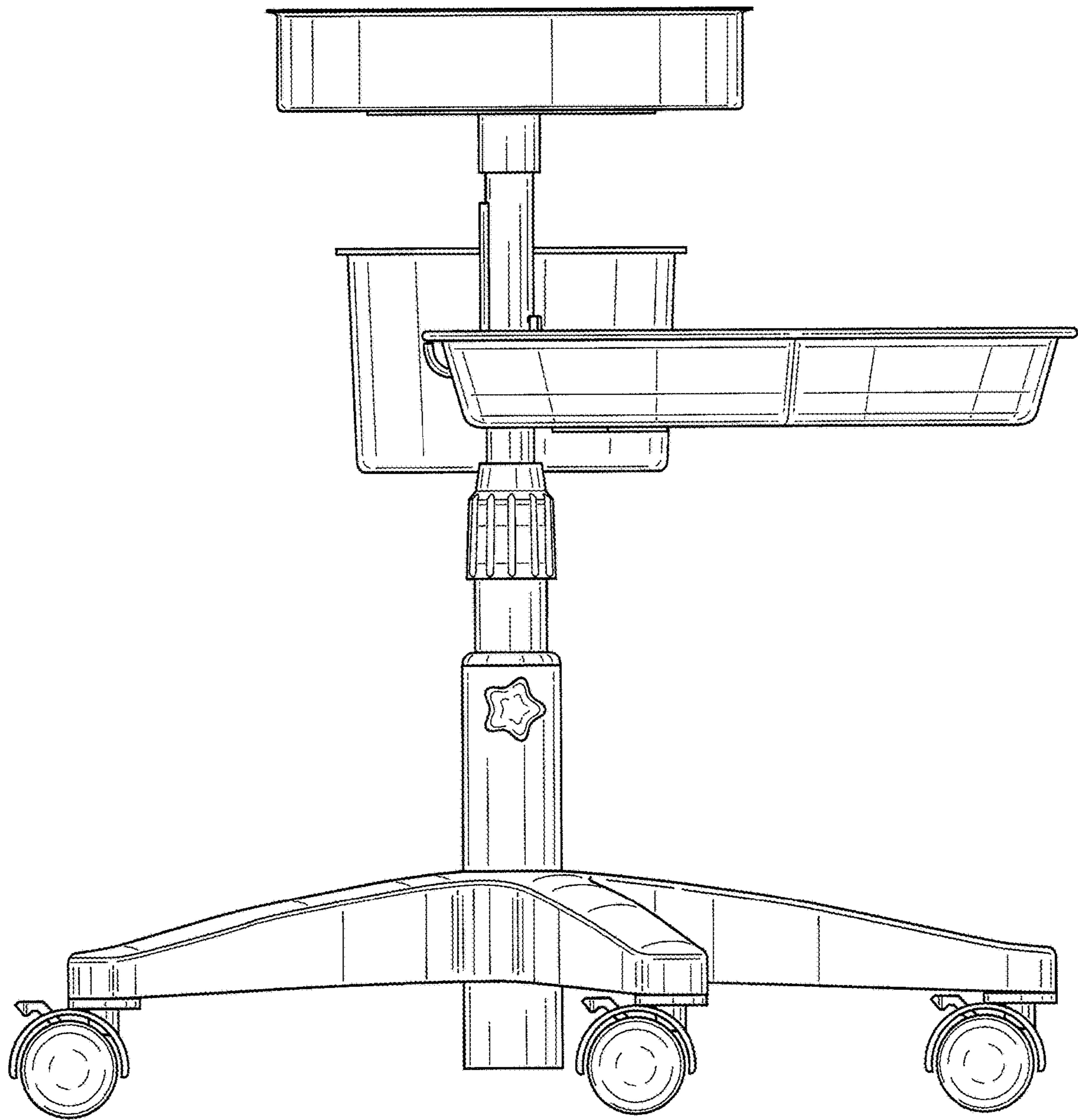


FIG. 4

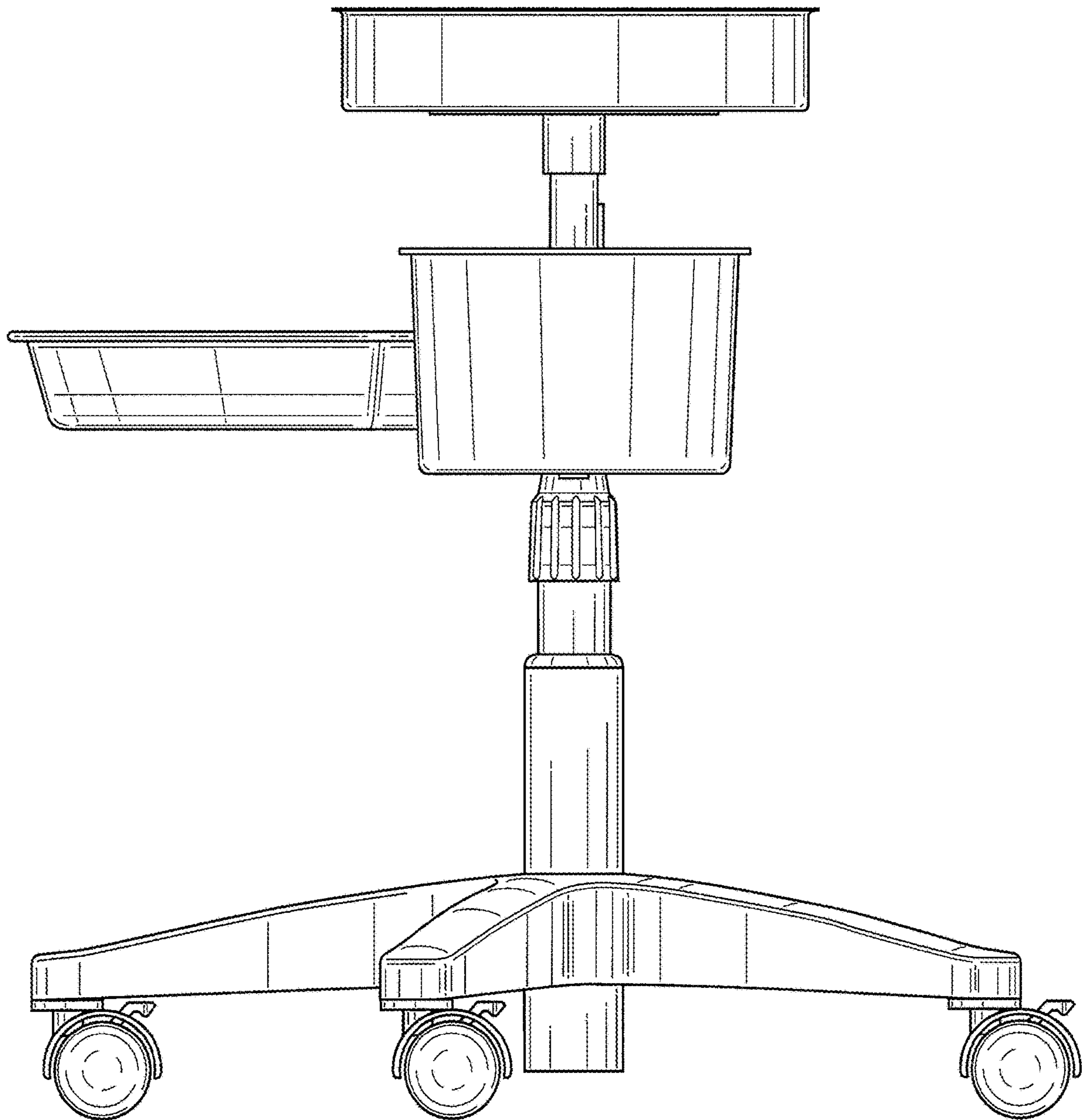


FIG. 5

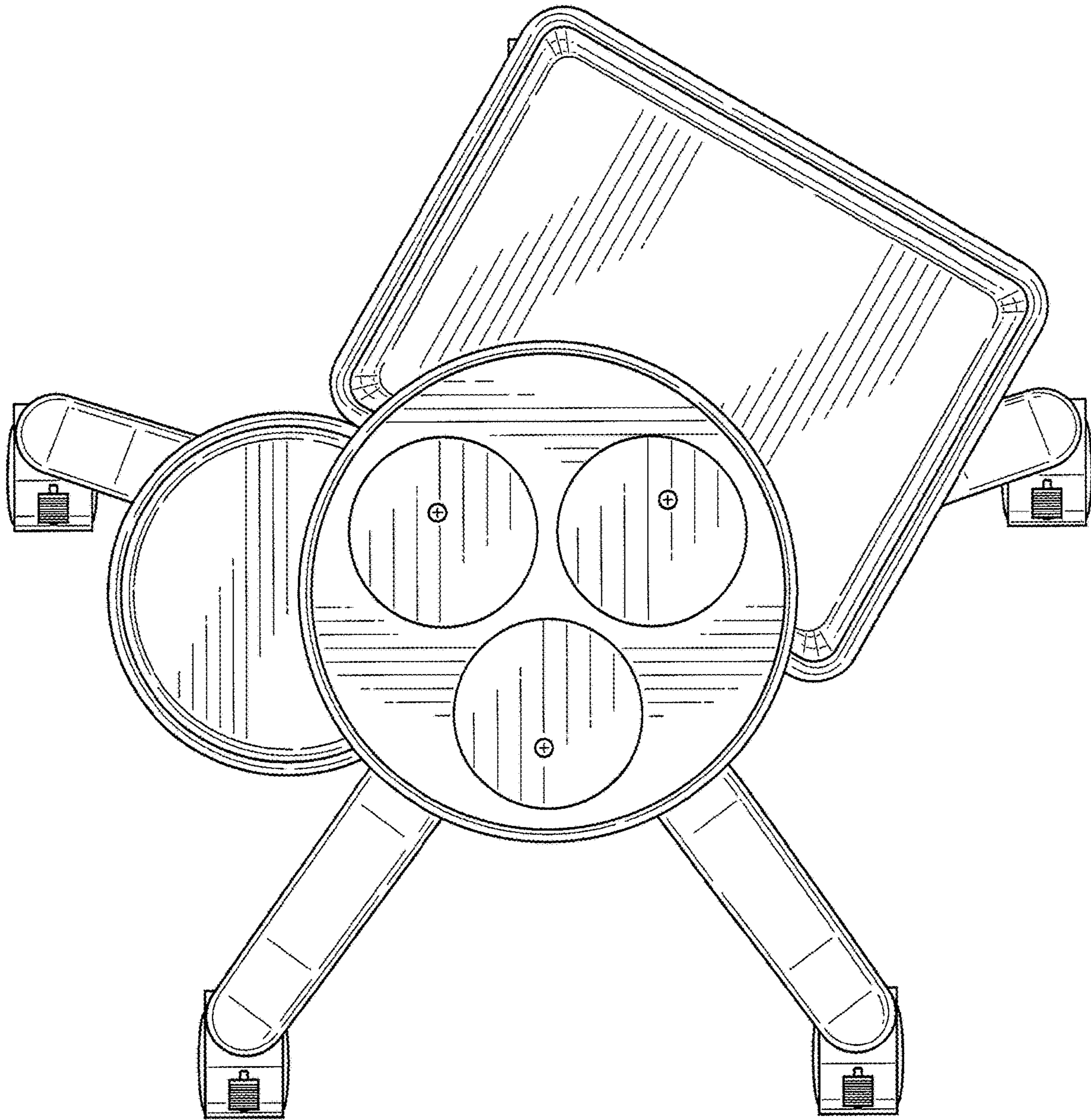


FIG. 6

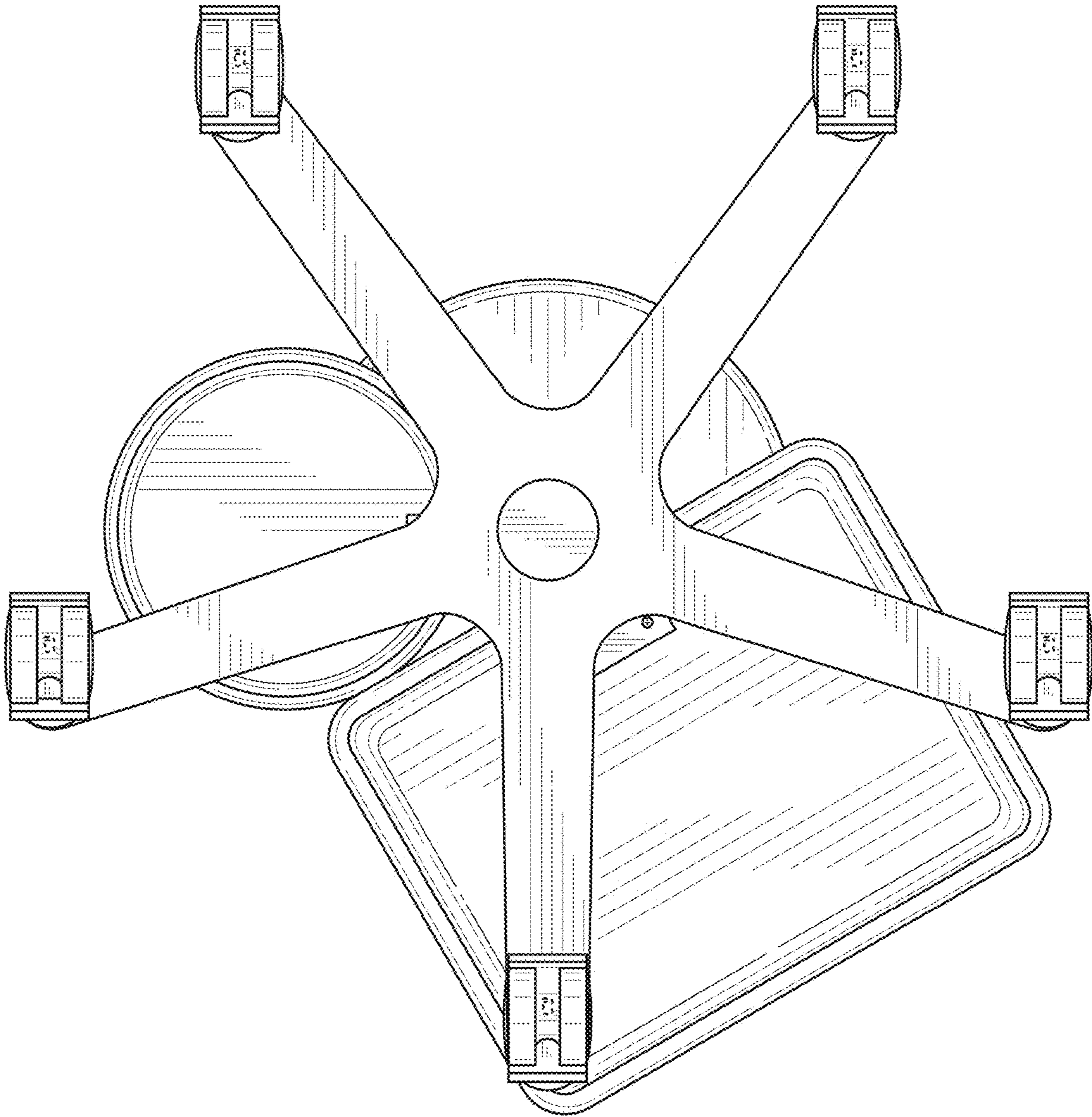


FIG. 7