



US00D898918S

(12) **United States Design Patent**
Turocy et al.

(10) **Patent No.:** **US D898,918 S**

(45) **Date of Patent:** **** Oct. 13, 2020**

(54) **INTEGRATED PATIENT SUPPORT AND EQUIPMENT FOR MEDICAL PROCEDURES**

(71) Applicant: **Reliance Medical Products**, Mason, OH (US)

(72) Inventors: **Erik M. Turocy**, Columbus, OH (US); **Terry M. Birchler**, Blacklick, OH (US); **Jeffrey D. Accursi**, Columbus, OH (US); **Joseph Pisauro**, Columbus, OH (US); **Grace V. Tesmer**, Dublin, OH (US); **Andrew H. Burleigh**, Lancaster, OH (US); **Shawn M. Whetstone**, New Albany, OH (US)

(73) Assignee: **RELIANCE MEDICAL PRODUCTS**, Mason, OH (US)

(**) Term: **15 Years**

(21) Appl. No.: **29/667,941**

(22) Filed: **Oct. 25, 2018**

(51) **LOC (12) Cl.** **24-02**

(52) **U.S. Cl.**
USPC **D24/178**

(58) **Field of Classification Search**
USPC D24/176-179; 433/77, 79, 101, 108, 98, 433/49
CPC A61G 15/16; A61G 15/14; A61G 15/12; A61G 15/10; A61G 15/00; A61G 15/02; A61C 19/00
See application file for complete search history.

(56) **References Cited**

U.S. PATENT DOCUMENTS

D384,154 S * 9/1997 Malmen D24/178
7,011,519 B2 * 3/2006 Castellini A61G 15/16
433/108

7,954,950 B2 * 6/2011 Dreher B29D 11/00413
351/246
D675,322 S * 1/2013 Jamison D24/178
2004/0007907 A1 * 1/2004 DiRe A61G 15/14
297/217.3
2013/0099539 A1 * 4/2013 Fienup A61G 15/02
297/325
2013/0118503 A1 * 5/2013 Galatas A61G 15/14
128/845

* cited by examiner

Primary Examiner — Wan Laymon

(74) *Attorney, Agent, or Firm* — Taft Stettinius & Hollister LLP; Derek B. Lavender

(57) **CLAIM**

The ornamental design for an integrated patient support and equipment for medical procedures, as shown and described.

DESCRIPTION

FIG. 1 is an elevated perspective view of an integrated patient support and equipment for medical procedures showing our new design;

FIG. 2 is a front view of FIG. 1;

FIG. 3 is a back view of FIG. 1;

FIG. 4 is a right side view of FIG. 1;

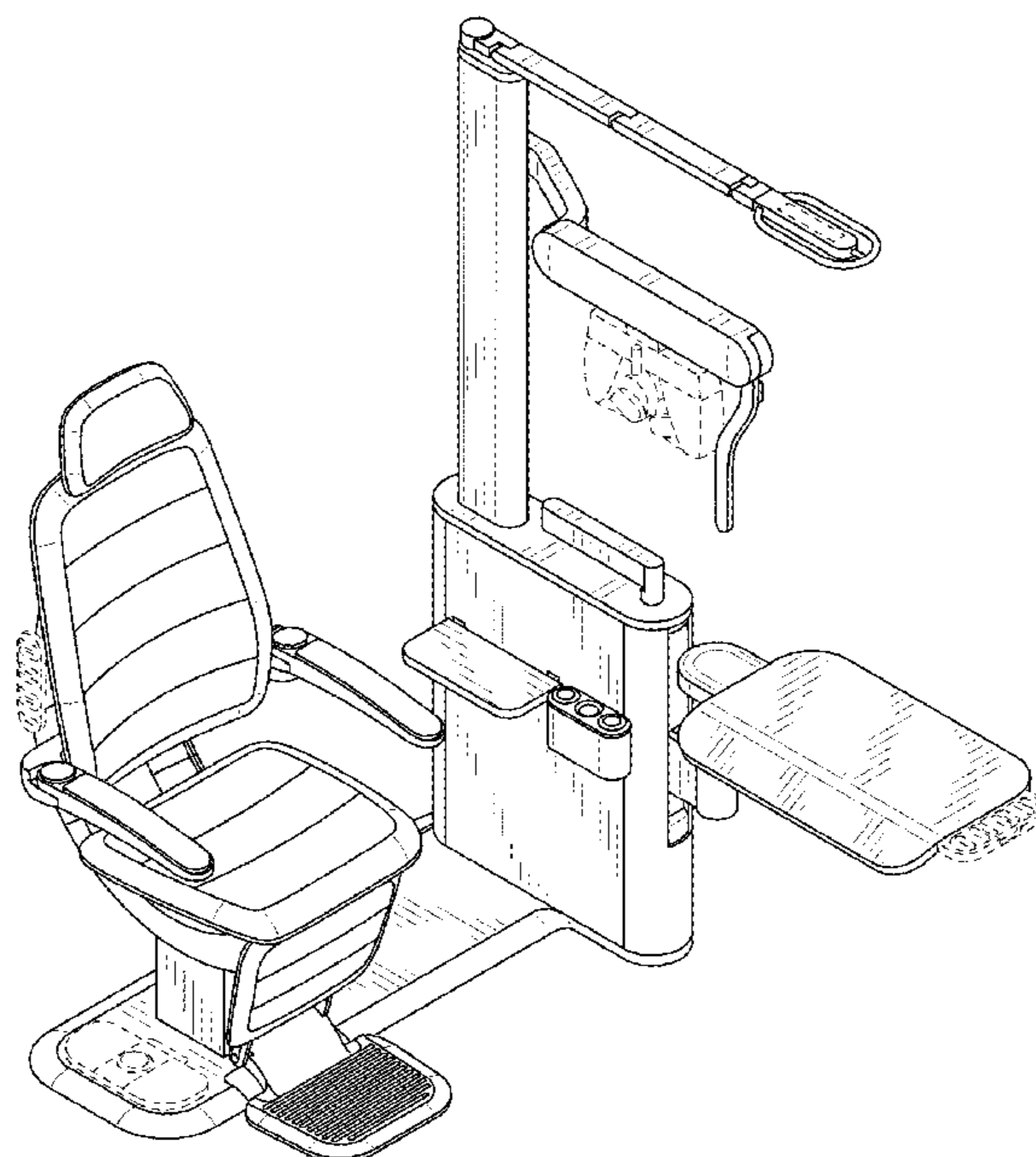
FIG. 5 is a left side view of FIG. 1;

FIG. 6 is a top view of FIG. 1; and,

FIG. 7 is a bottom view of FIG. 1.

The broken lines throughout are included for the purpose of illustrating environmental structure and form no part of the claimed design.

1 Claim, 5 Drawing Sheets



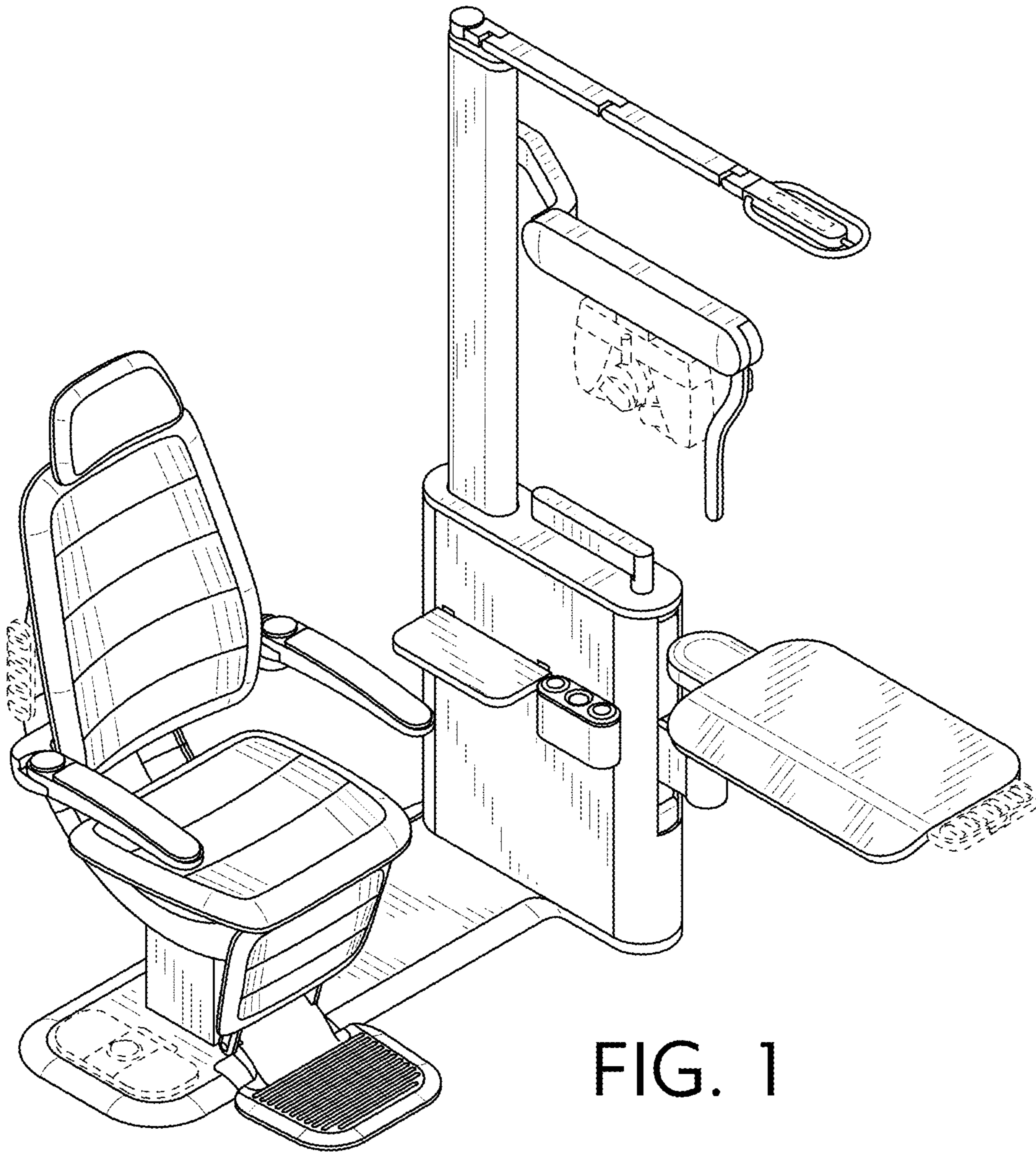


FIG. 1

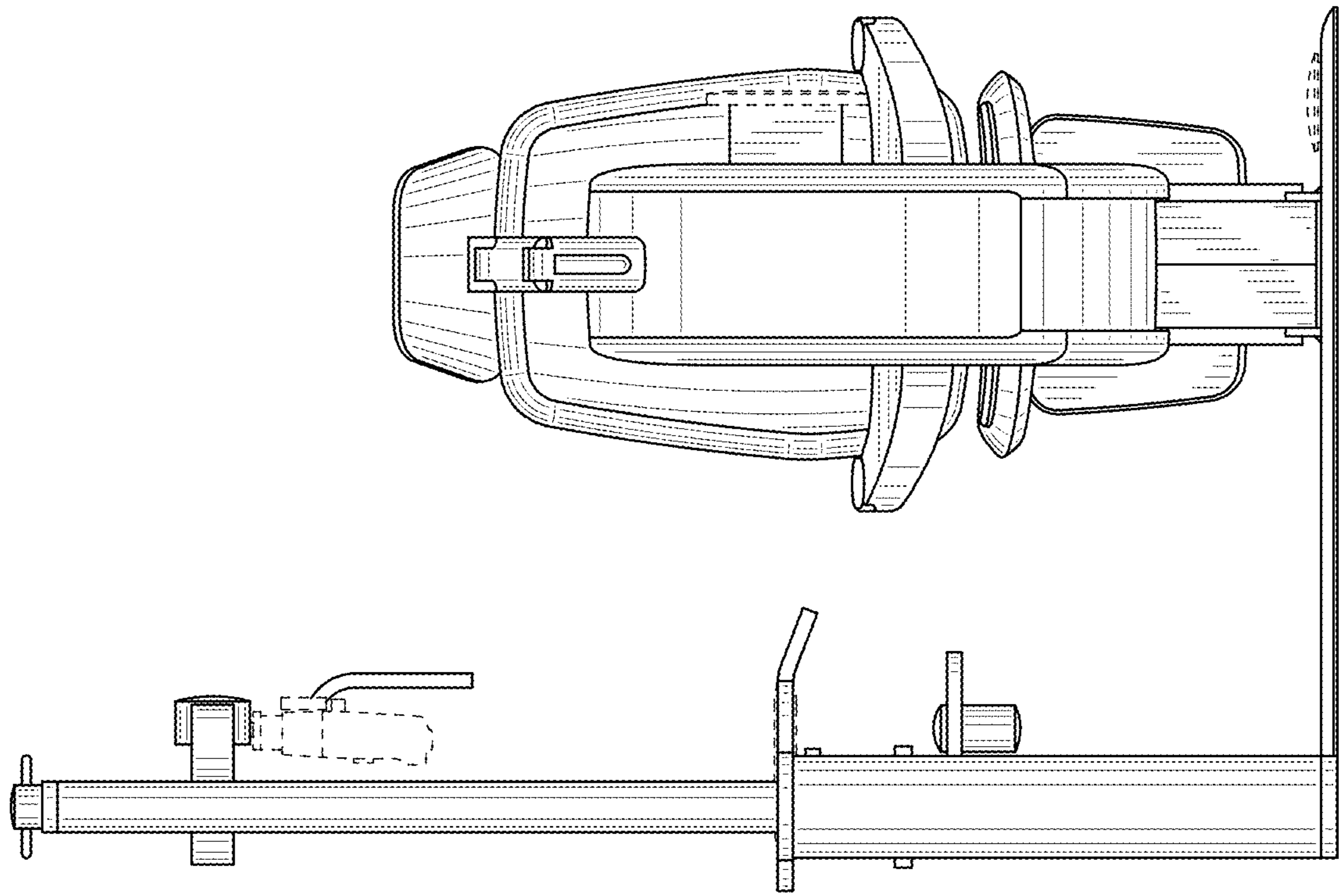


FIG. 3

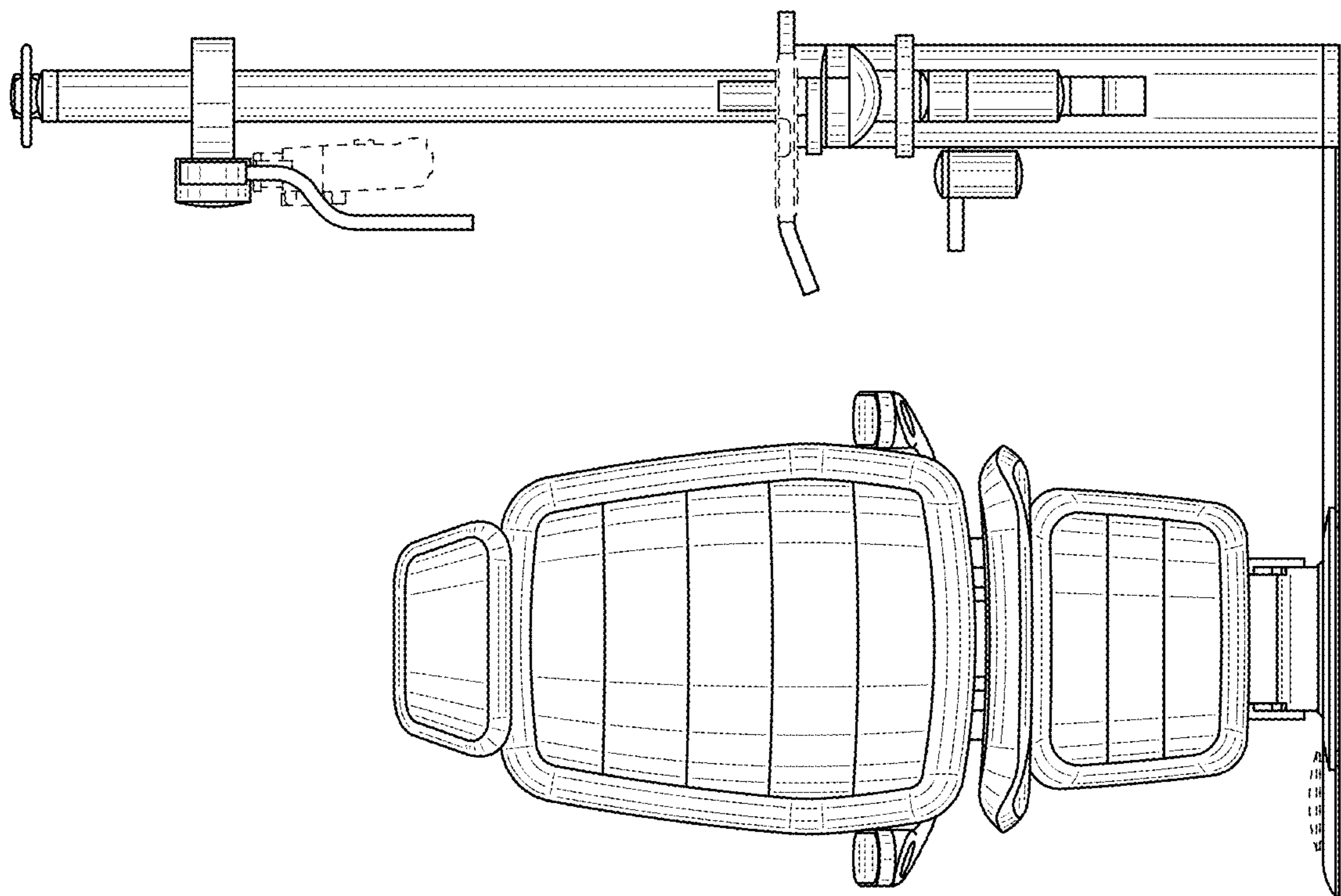


FIG. 2

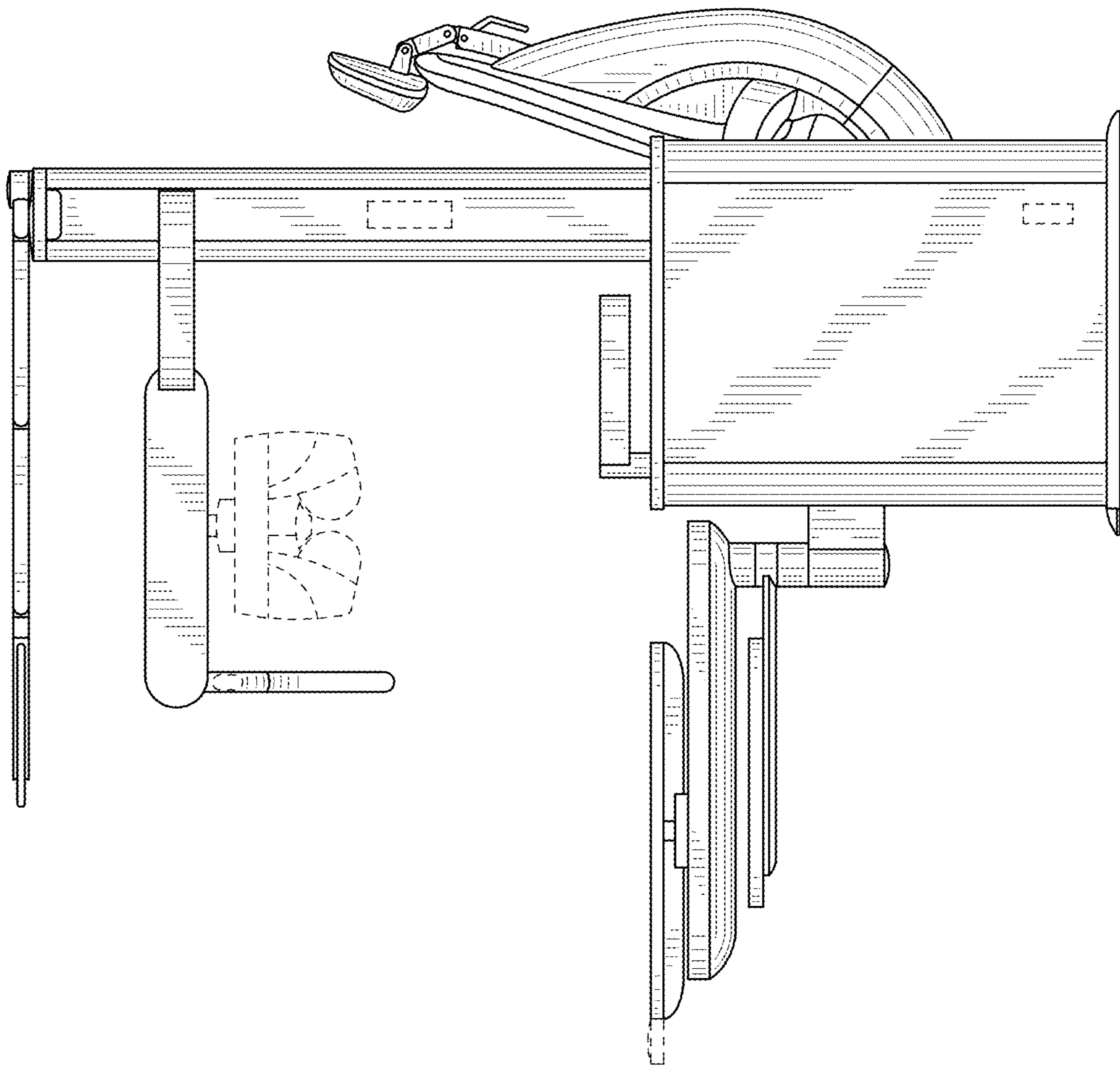


FIG. 4

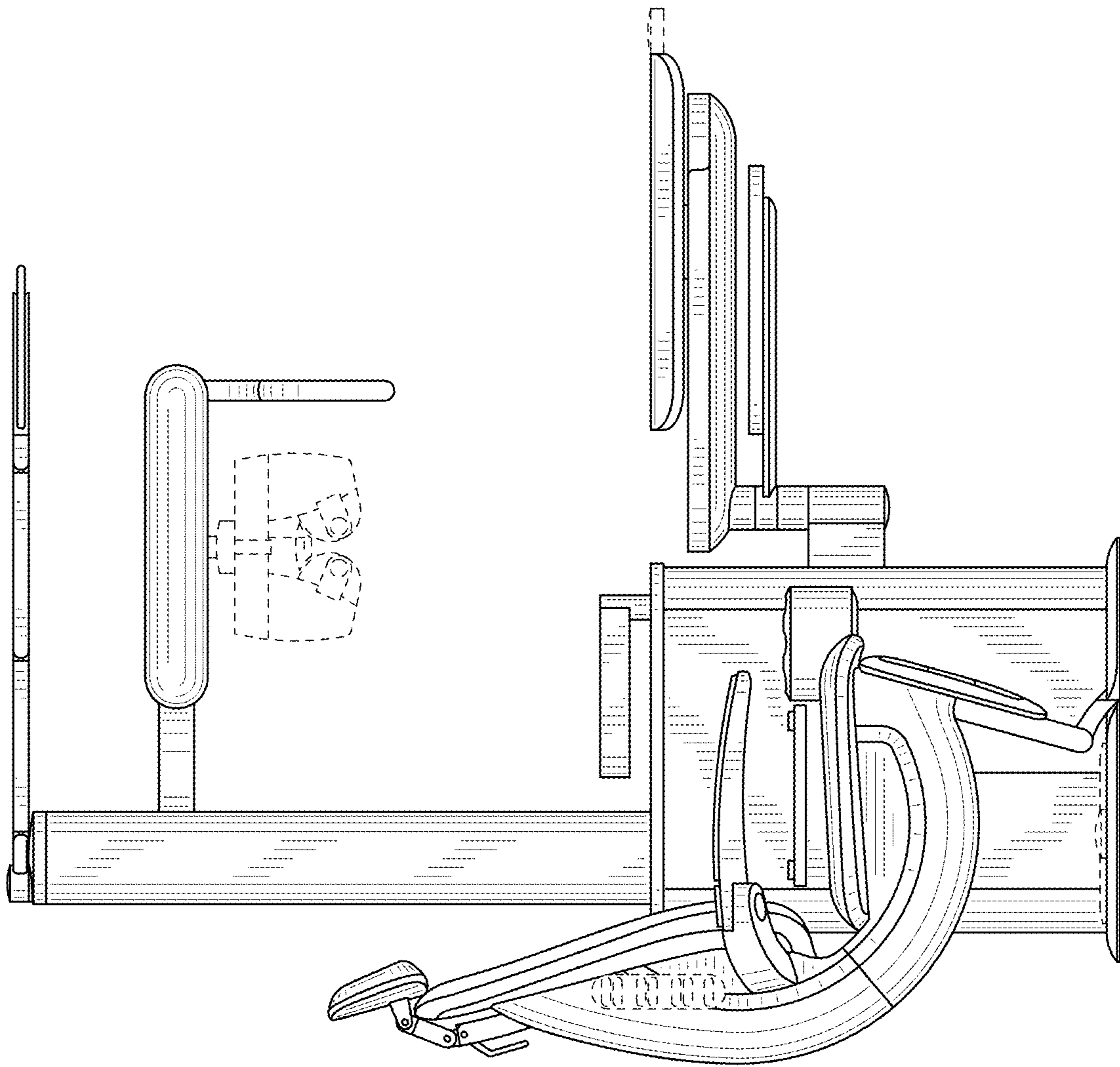


FIG. 5

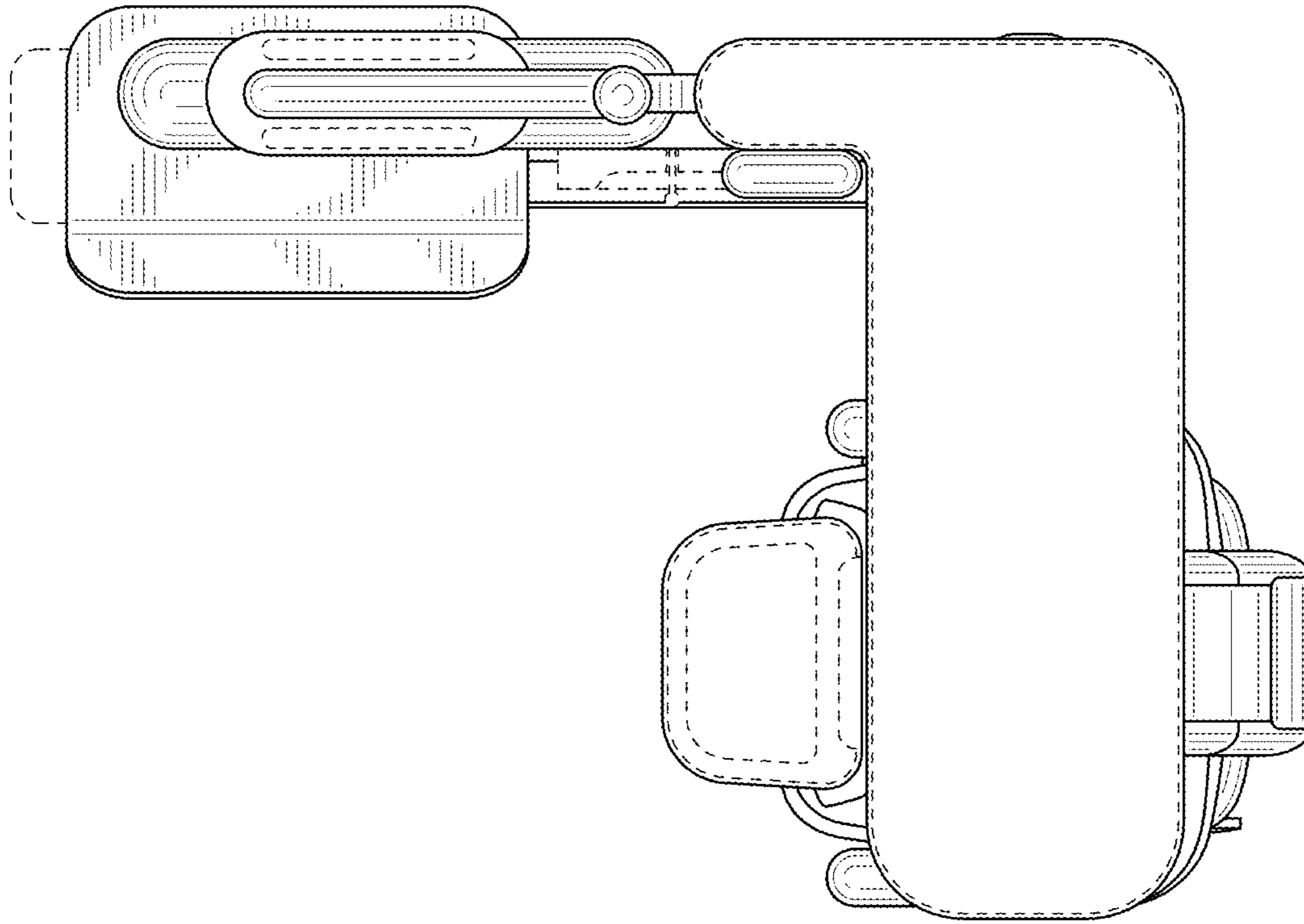


FIG. 7

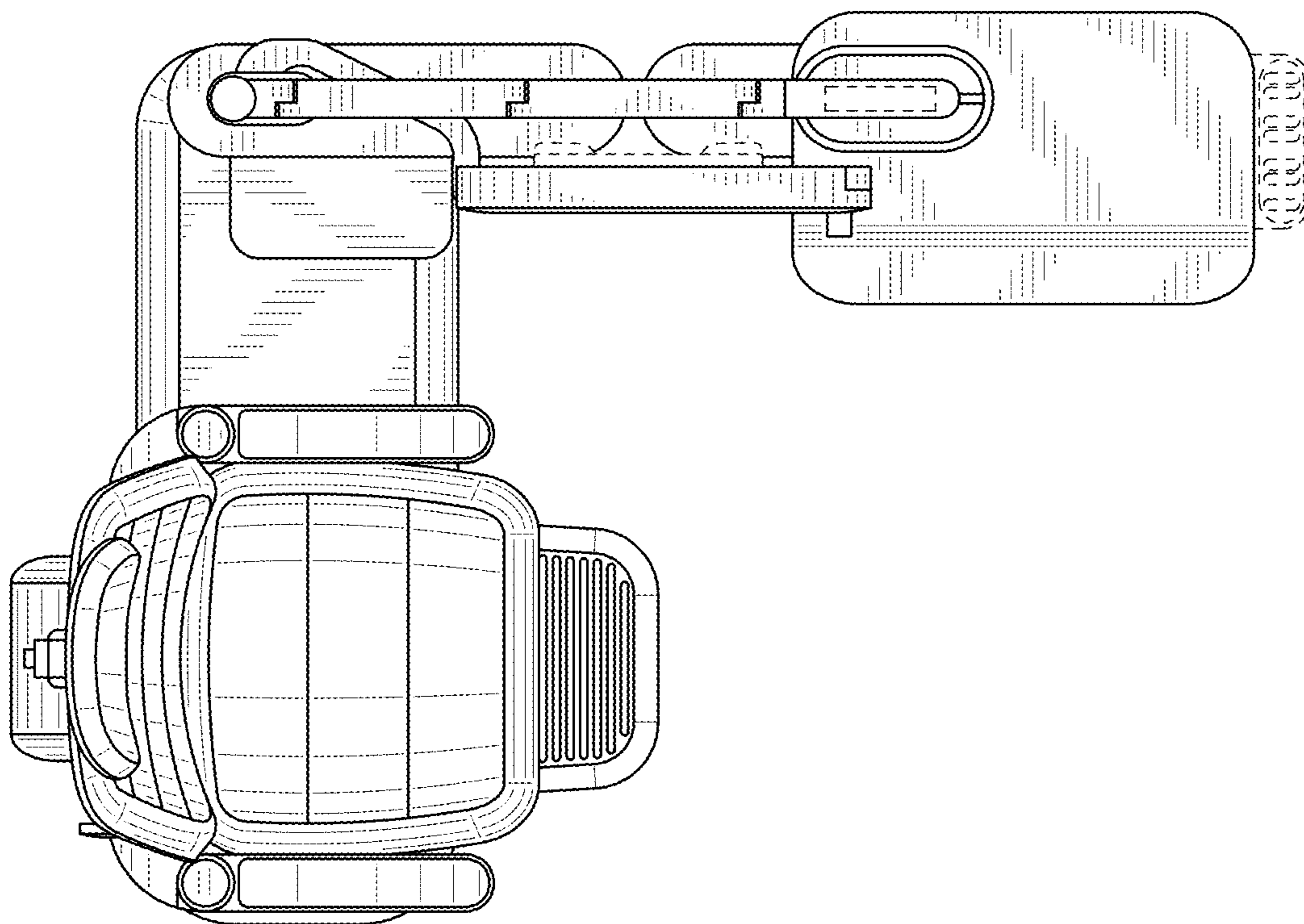


FIG. 6