



US00D898917S

(12) **United States Design Patent** (10) **Patent No.:** **US D898,917 S**  
**Stalter et al.** (45) **Date of Patent:** **\*\* Oct. 13, 2020**

(54) **IMAGING APPARATUS**

(71) Applicant: **General Electric Company**,  
Schenectady, NY (US)  
(72) Inventors: **Ross Christopher Stalter**, Hartland,  
WI (US); **Michael Smith**, Whitewater,  
WI (US); **Jonathan Boutot**, Waukesha,  
WI (US); **Robert Surma**, Elm Grove,  
WI (US); **Kenwood P. Dayton**,  
Mequon, WI (US); **Brandon Smith**,  
Waukesha, WI (US); **Timothy  
Behlmer**, Milwaukee, WI (US)

(73) Assignee: **GENERAL ELECTRIC COMPANY**,  
Schenectady, NY (US)

(\*\*) Term: **15 Years**

(21) Appl. No.: **29/684,551**

(22) Filed: **Mar. 21, 2019**

**Related U.S. Application Data**

(62) Division of application No. 29/627,198, filed on Nov.  
22, 2017, now Pat. No. Des. 849,949.

(51) **LOC (12) Cl.** ..... **24-01**

(52) **U.S. Cl.**  
USPC ..... **D24/158**

(58) **Field of Classification Search**  
USPC ..... D24/107, 158-161, 185, 186, 187, 231  
(Continued)

(56) **References Cited**

**U.S. PATENT DOCUMENTS**

D432,655 S 10/2000 Benders  
D639,950 S 6/2011 Ramos  
(Continued)

**OTHER PUBLICATIONS**

Zhang, W. et al., "An Ornamental Design for an Imaging Apparatus,"  
U.S. Appl. No. 29/627,199, filed Nov. 22, 2017, 19 pages.

*Primary Examiner* — Anhdao Doan

(74) *Attorney, Agent, or Firm* — McCoy Russell LLP

(57) **CLAIM**

The ornamental design for an imaging apparatus, as shown  
and described.

**DESCRIPTION**

FIG. 1 is a front elevation view of a first embodiment of the  
imaging apparatus including accent lights.

FIG. 2 is a front-left perspective view of the imaging  
apparatus of FIG. 1.

FIG. 3 is left side elevation view of the imaging apparatus  
of FIG. 1.

FIG. 4 is a back-left perspective view of the imaging  
apparatus of FIG. 1.

FIG. 5 is a back elevation view of the imaging apparatus of  
FIG. 1.

FIG. 6 is a right side elevation view of the imaging apparatus  
of FIG. 1.

FIG. 7 is a top plan view of the imaging apparatus of FIG.  
1.

FIG. 8 is a bottom plan view of the imaging apparatus of  
FIG. 1.

FIG. 9 is a front-left perspective view of the imaging  
apparatus of FIG. 1, with the patient support table shown in  
environment.

FIG. 10 is a front elevation view of a second embodiment of  
the imaging apparatus including accent lights.

FIG. 11 is a front-left perspective view of the imaging  
apparatus of FIG. 10.

FIG. 12 is left side elevation view of the imaging apparatus  
of FIG. 10.

FIG. 13 is a back-left perspective view of the imaging  
apparatus of FIG. 10.

FIG. 14 is a back elevation view of the imaging apparatus of  
FIG. 10.

FIG. 15 is a right side elevation view of the imaging  
apparatus of FIG. 10.

FIG. 16 is a top plan view of the imaging apparatus of FIG.  
10.

FIG. 17 is a bottom plan view of the imaging apparatus of  
FIG. 10; and,

(Continued)

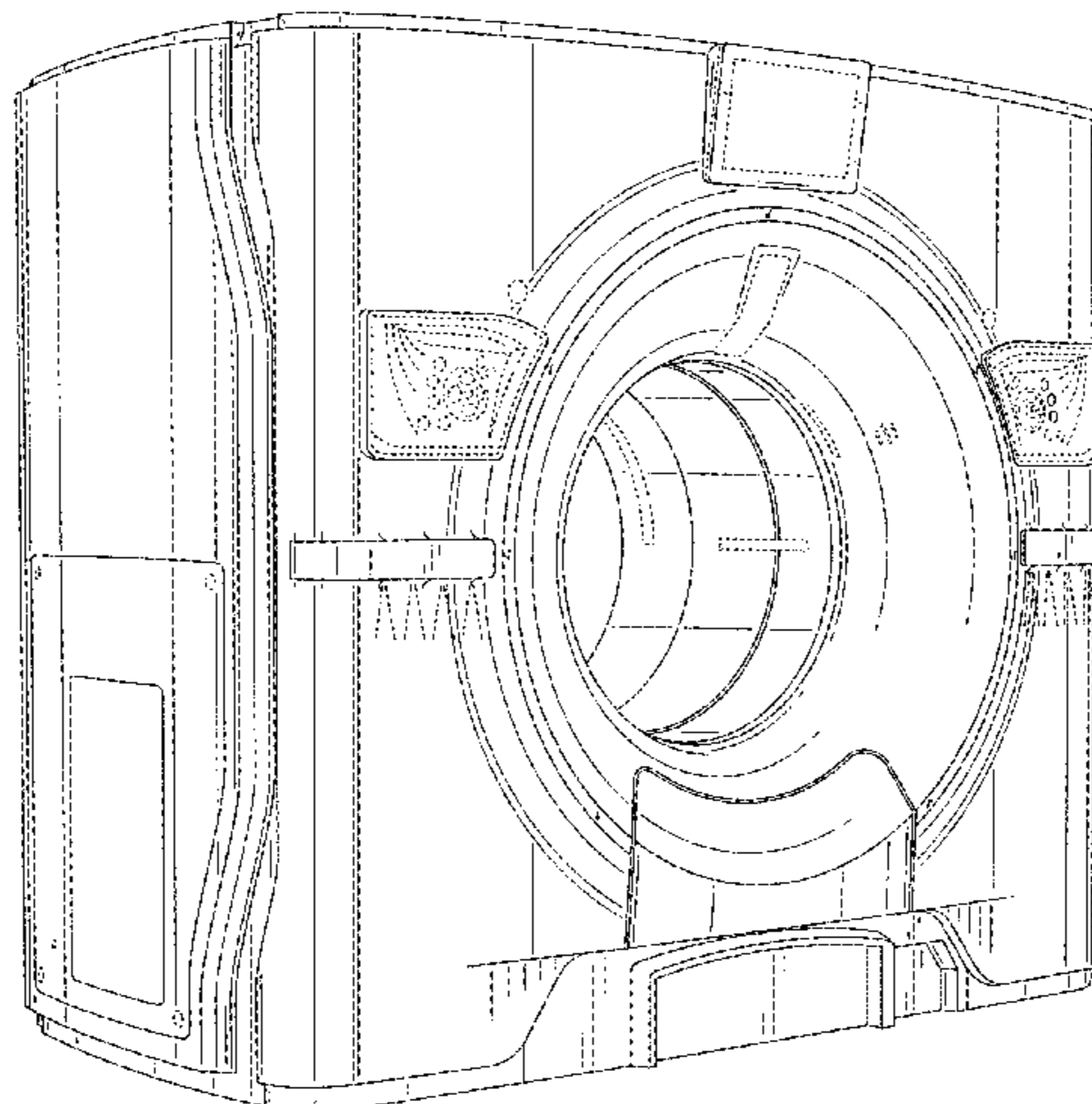


FIG. 18 is a front-left perspective view of the imaging apparatus of FIG. 10 coupled to the patient support table. The radiating lines for the portions at the front of the imaging apparatus shown by FIGS. 1-3, 6, and 9, represent illuminated features. The broken lines in the drawing views are included for the purpose of illustrating portions of the imaging apparatus that form no part of the claimed design. For purposes of clarity, FIGS. 9 and 18 show the imaging apparatus with the patient support table. The patient support table is shown for illustrative purposes and forms no part of the claimed design. The dash-dot-dash lines shown by FIGS. 7 and 8 indicate boundary lines enclosing portions that form no part of the claimed design.

**1 Claim, 18 Drawing Sheets**

(58) **Field of Classification Search**

CPC .. A61B 6/03; A61B 6/035; A61B 5/05; A61B  
5/055

See application file for complete search history.

(56) **References Cited**

U.S. PATENT DOCUMENTS

D700,339 S *	2/2014	Tan .....	D24/158
D700,340 S	2/2014	Tan et al.	
D700,390 S	2/2014	Sabernig	
D818,126 S	5/2018	Personnelli	
D849,949 S *	5/2019	Stalter .....	D24/158
D874,005 S *	1/2020	Zhang .....	D24/158

\* cited by examiner

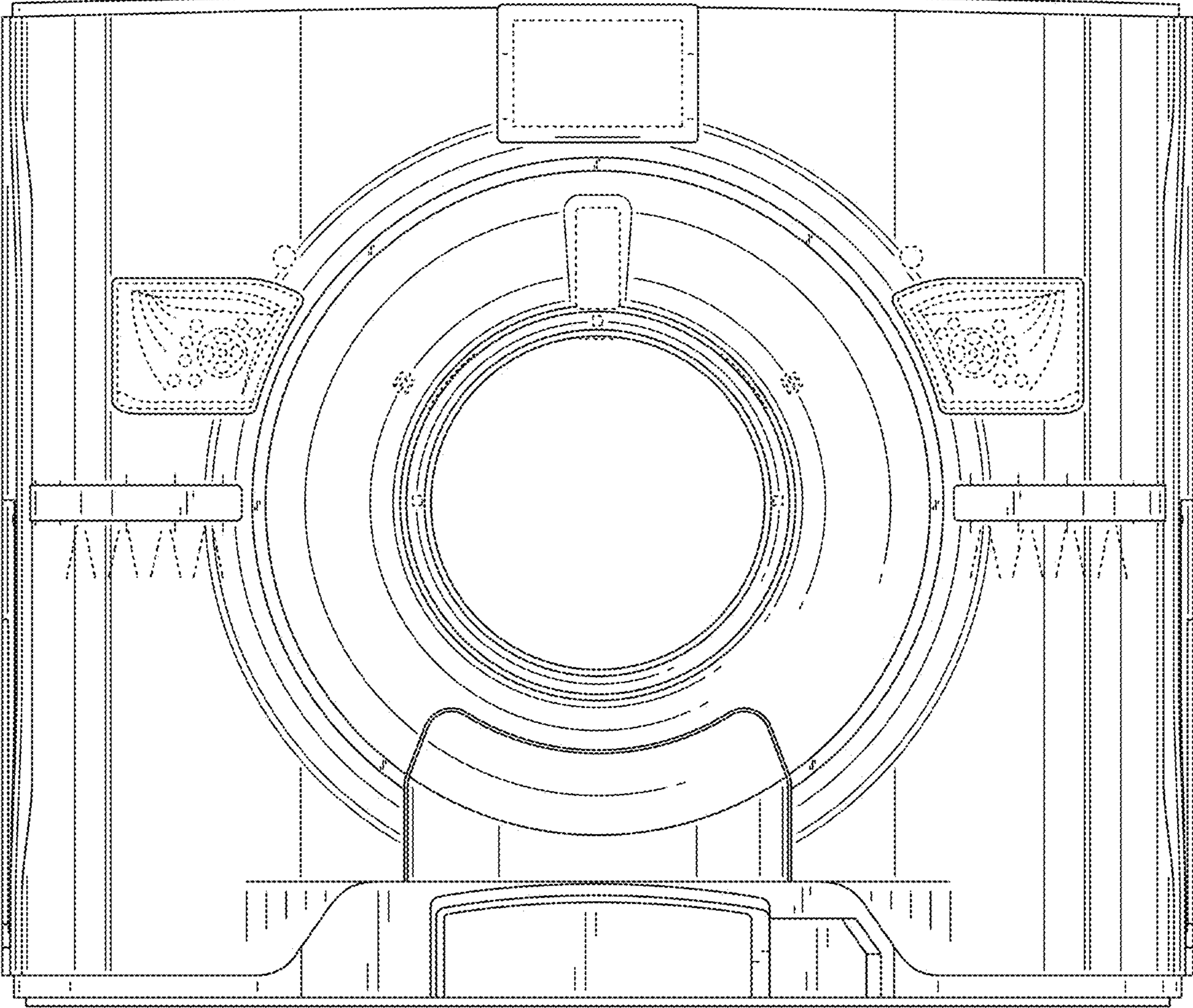


FIG. 1

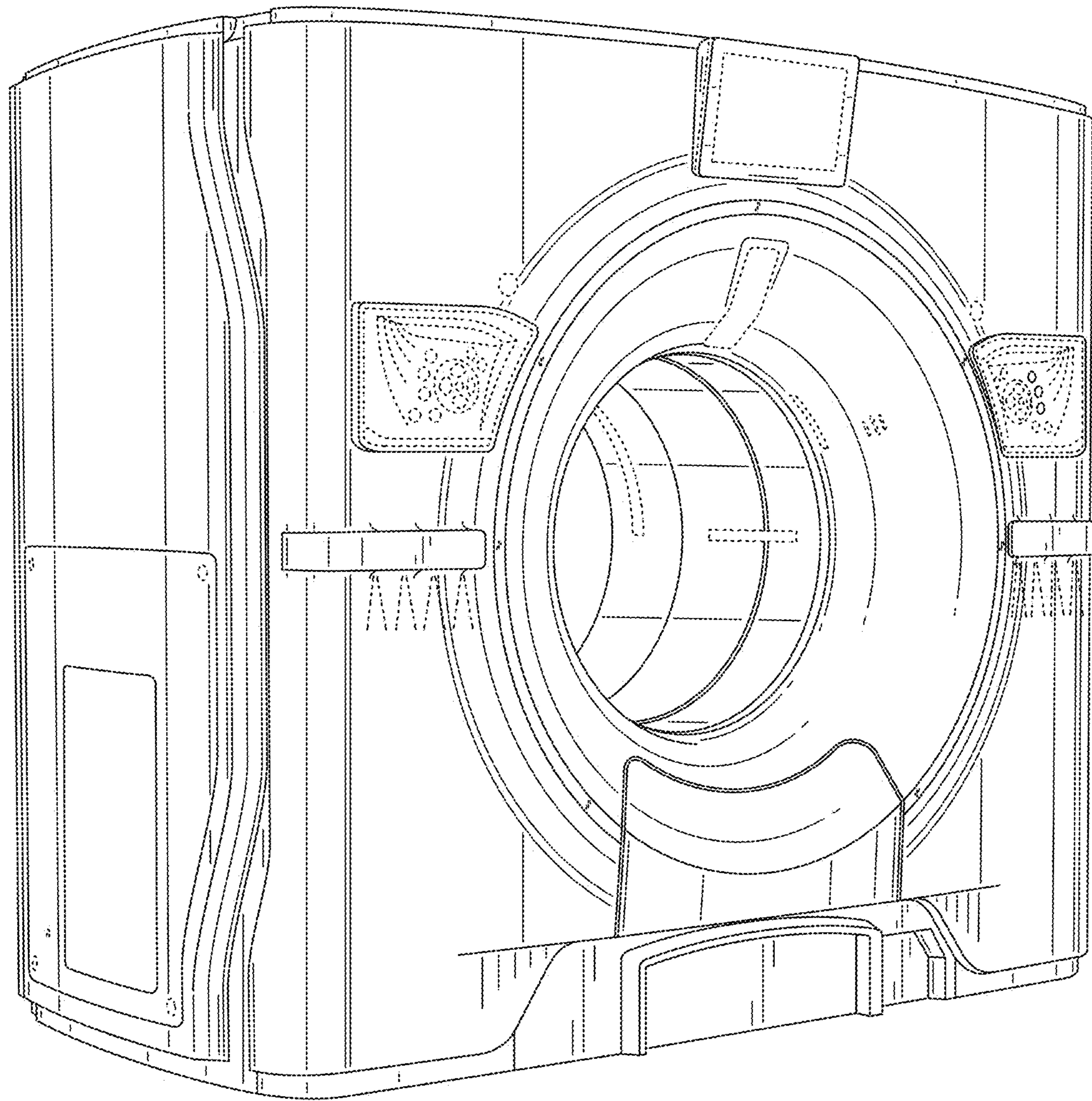


FIG. 2

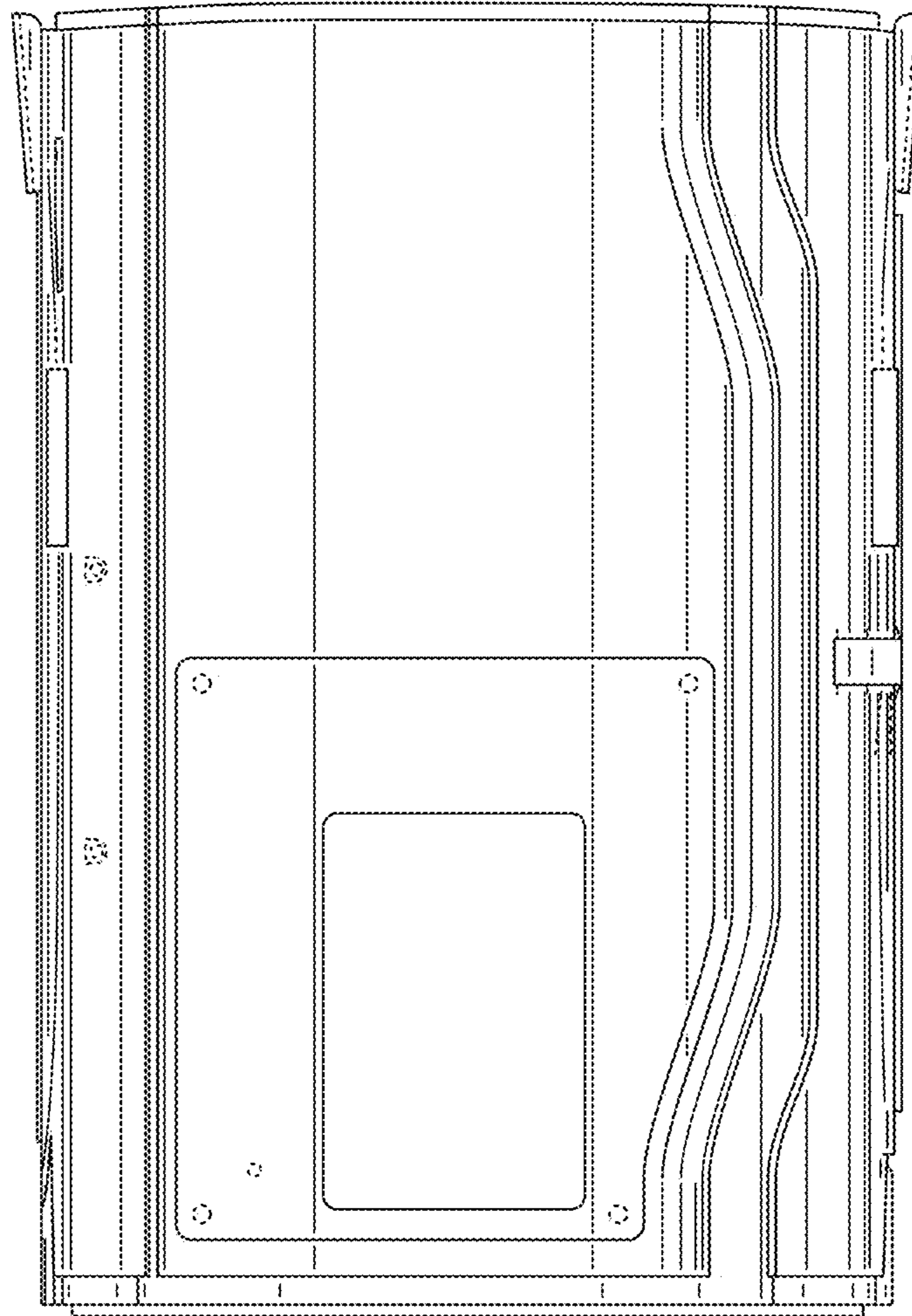


FIG. 3

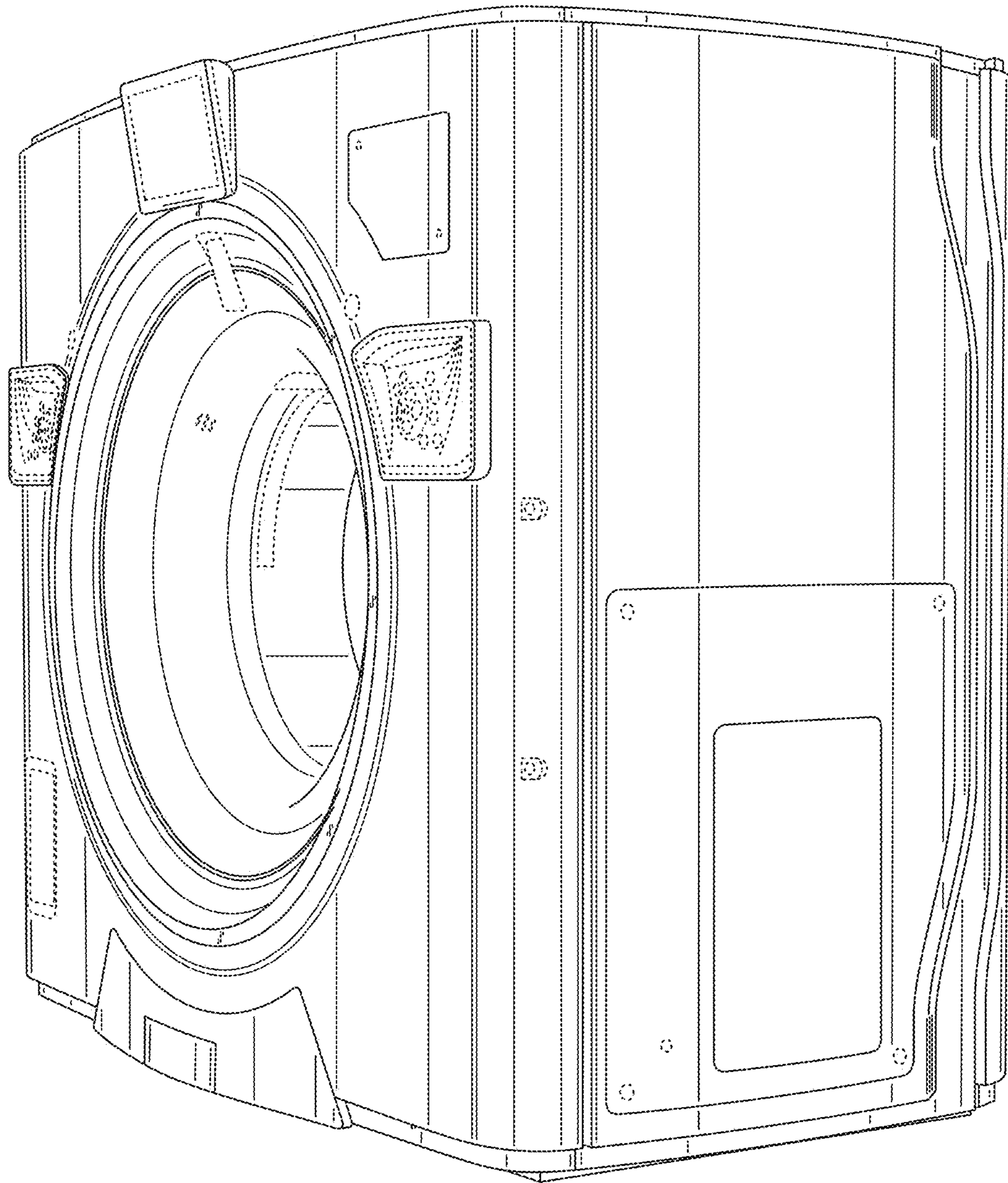


FIG. 4

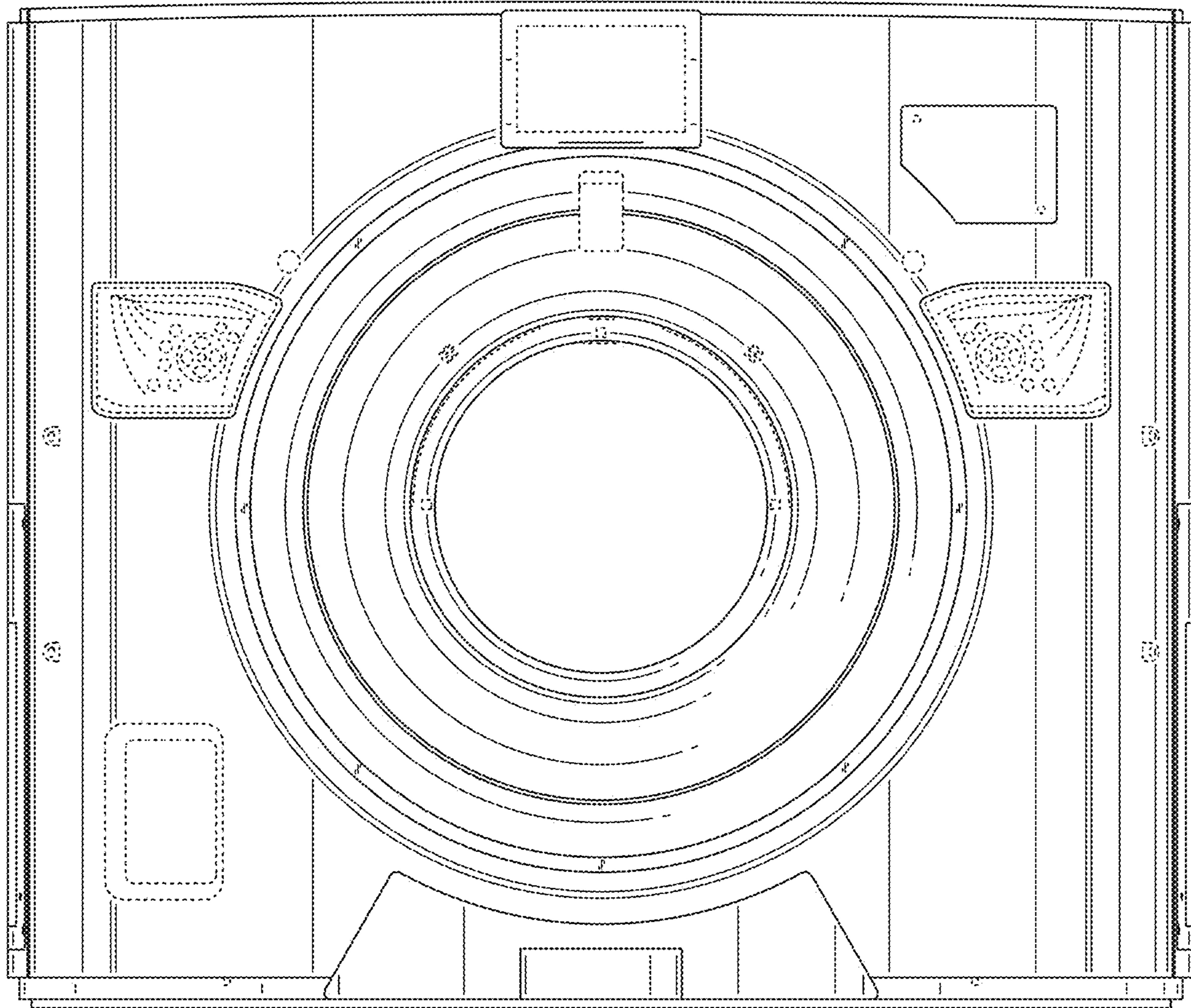


FIG. 5

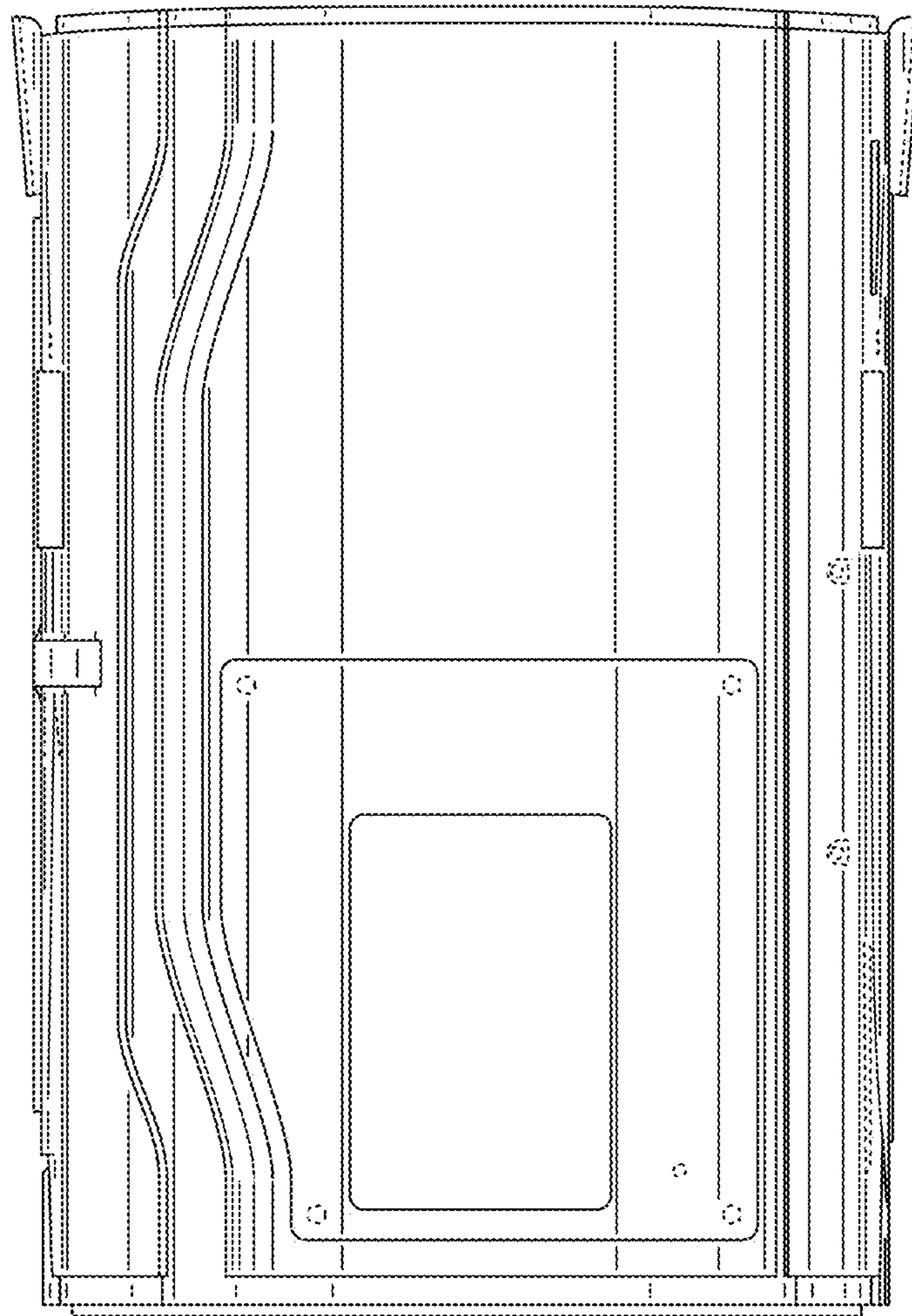


FIG. 6



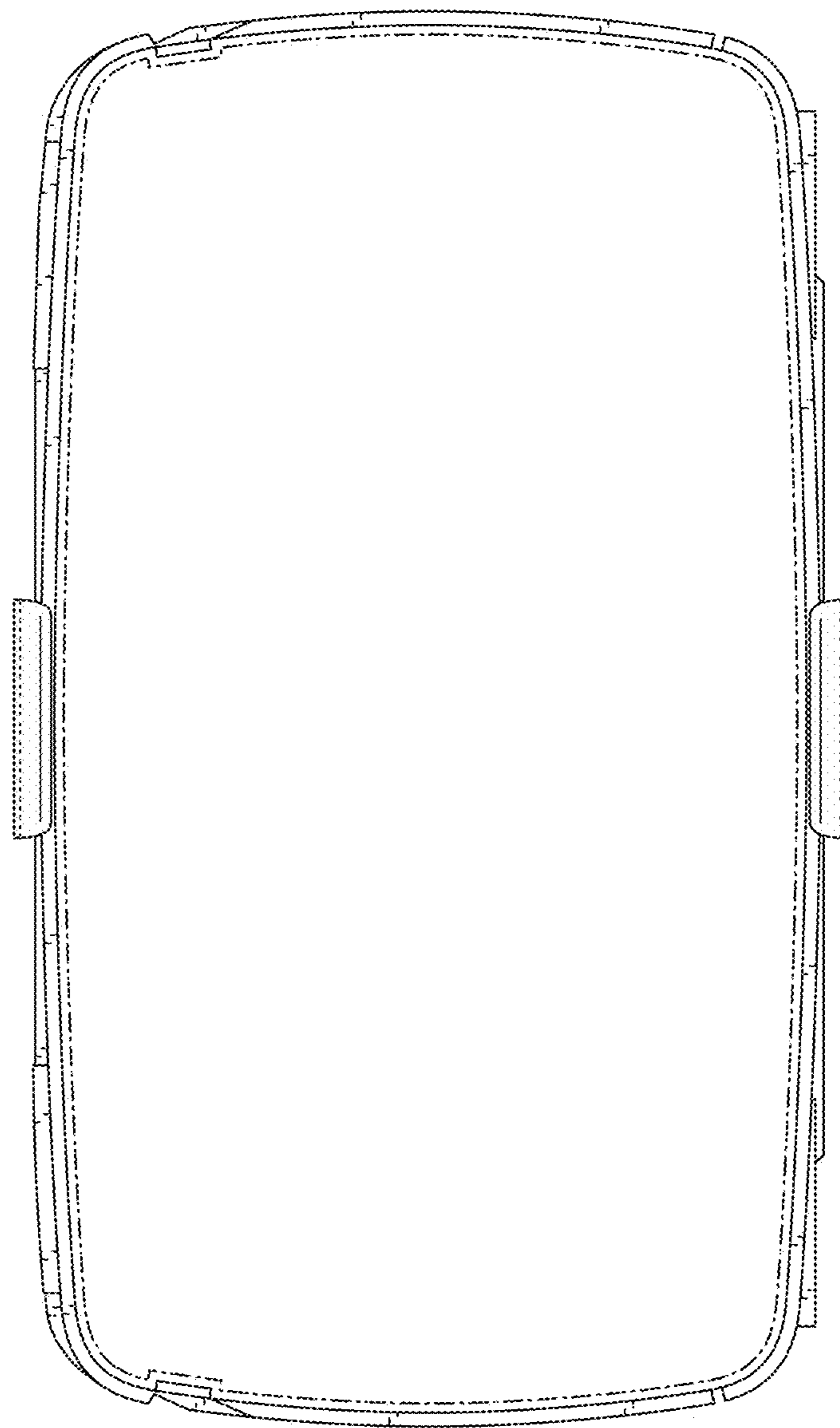


FIG. 7

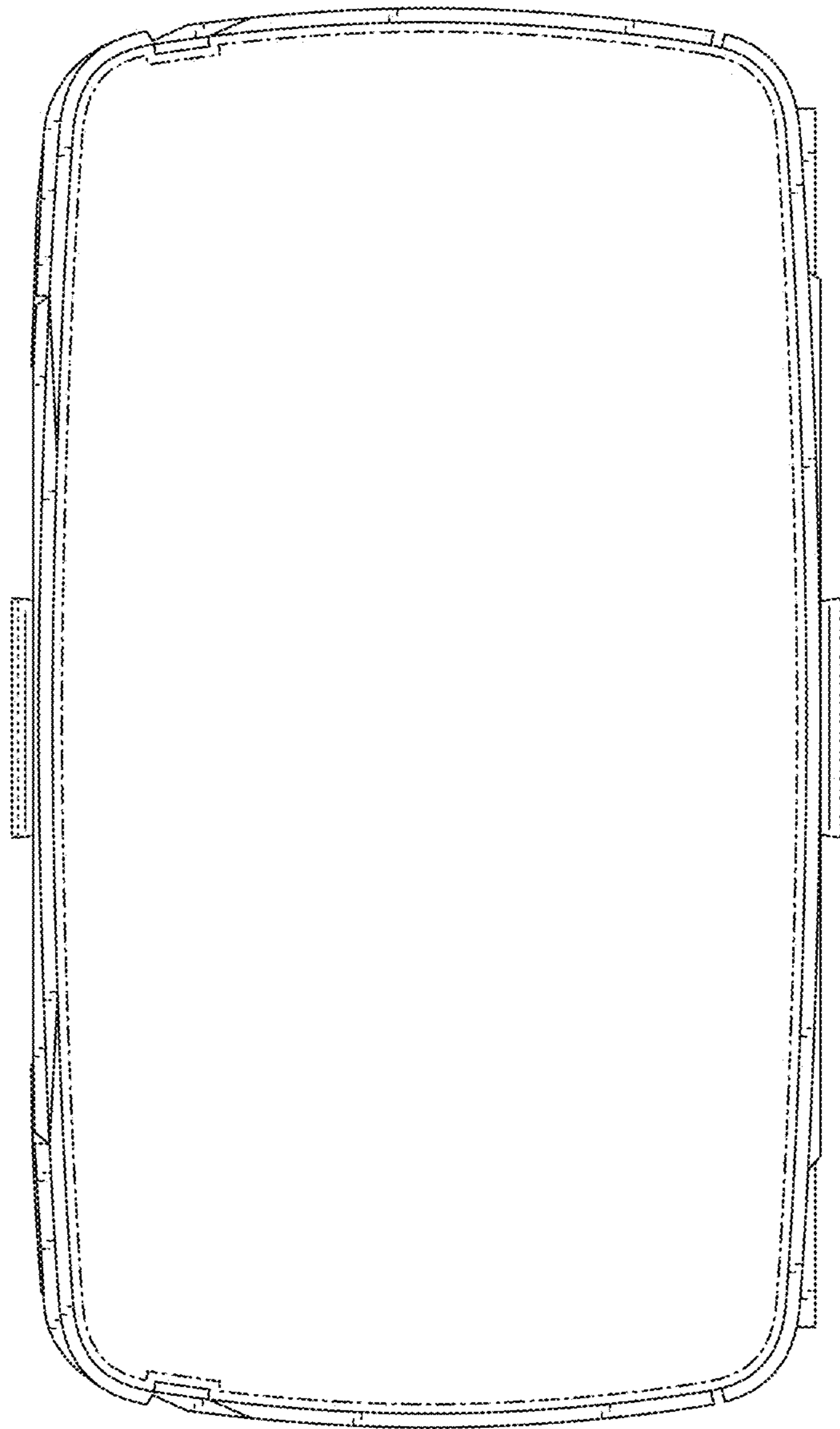


FIG. 8

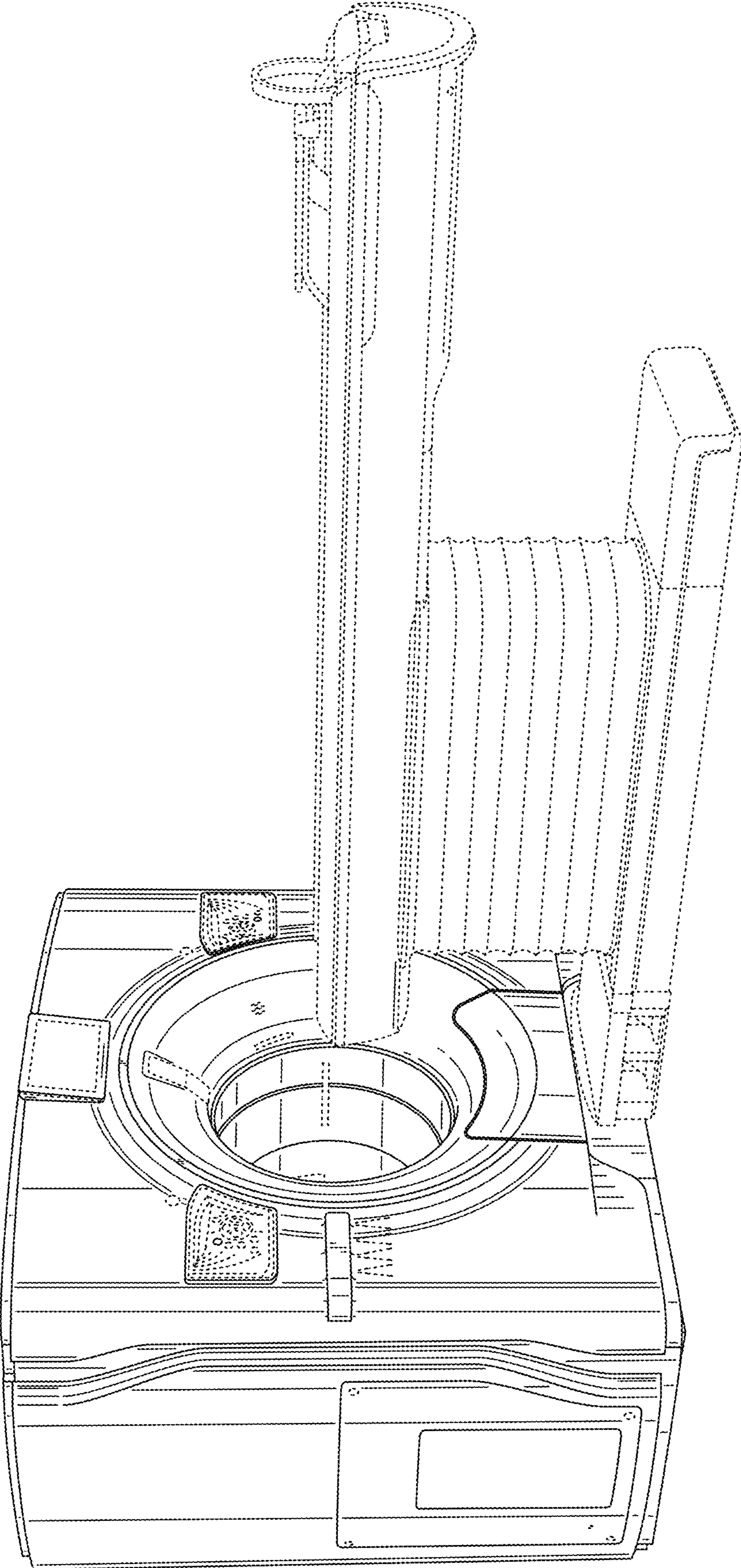


FIG. 9

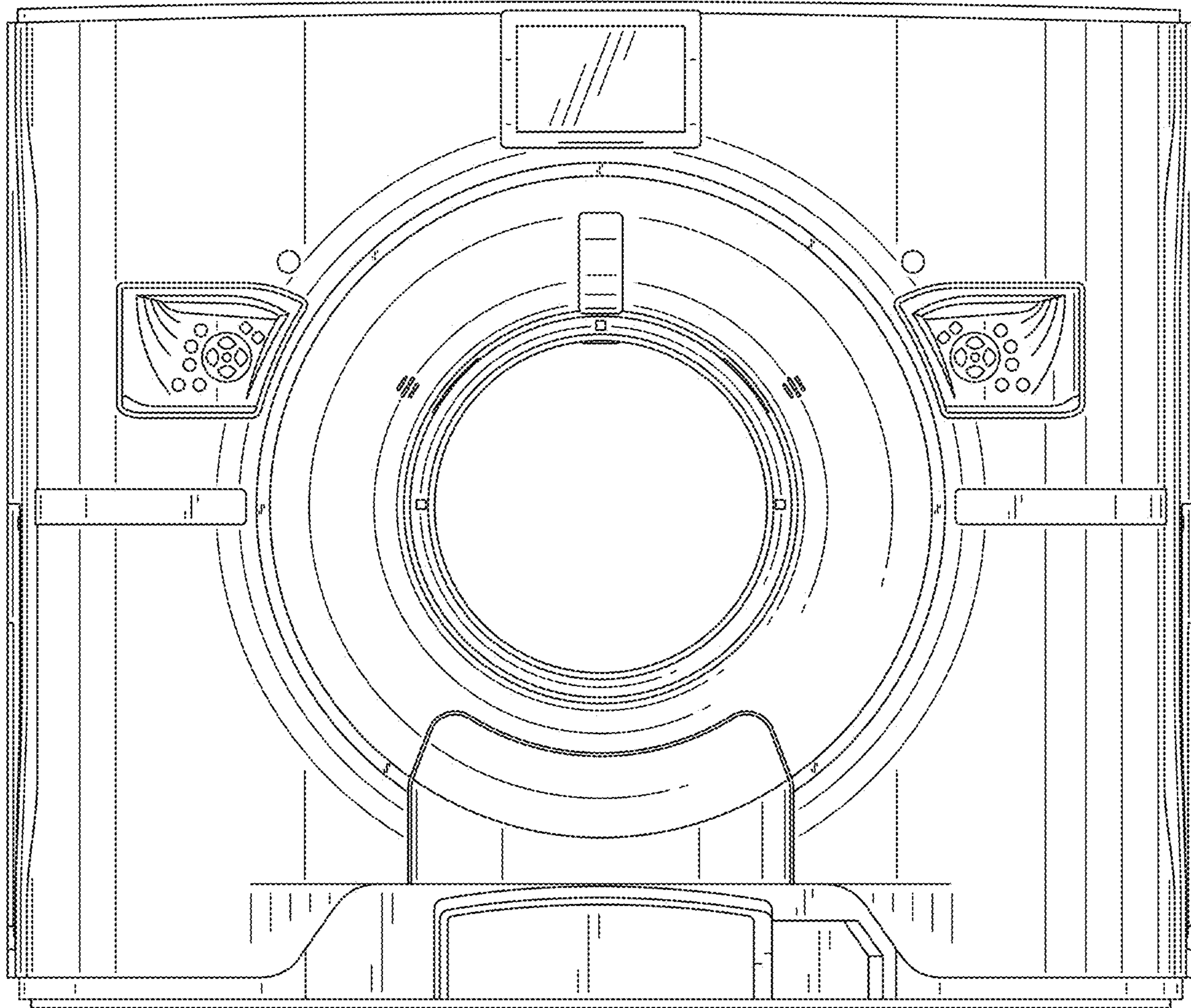


FIG. 10

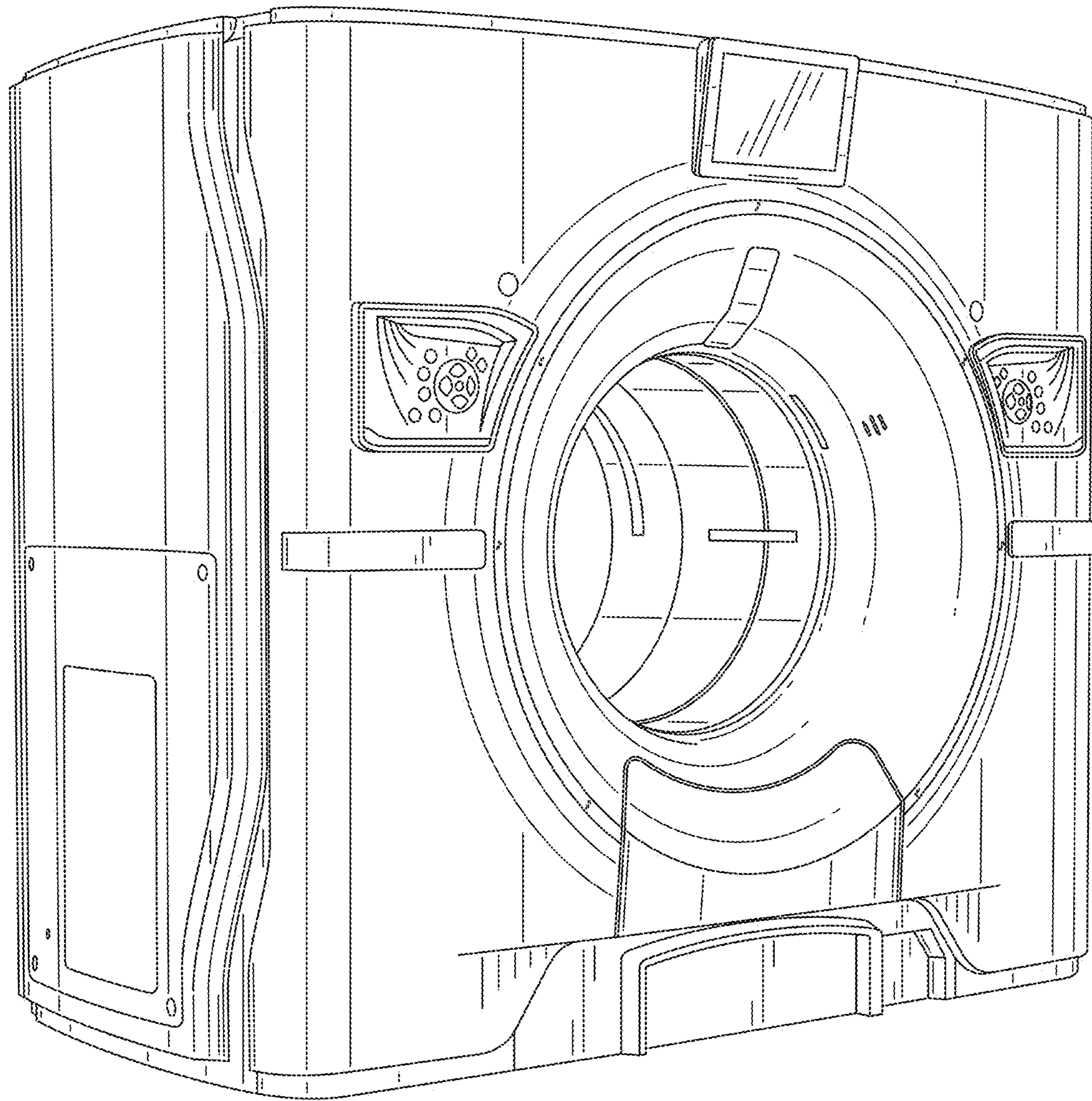


FIG. 11

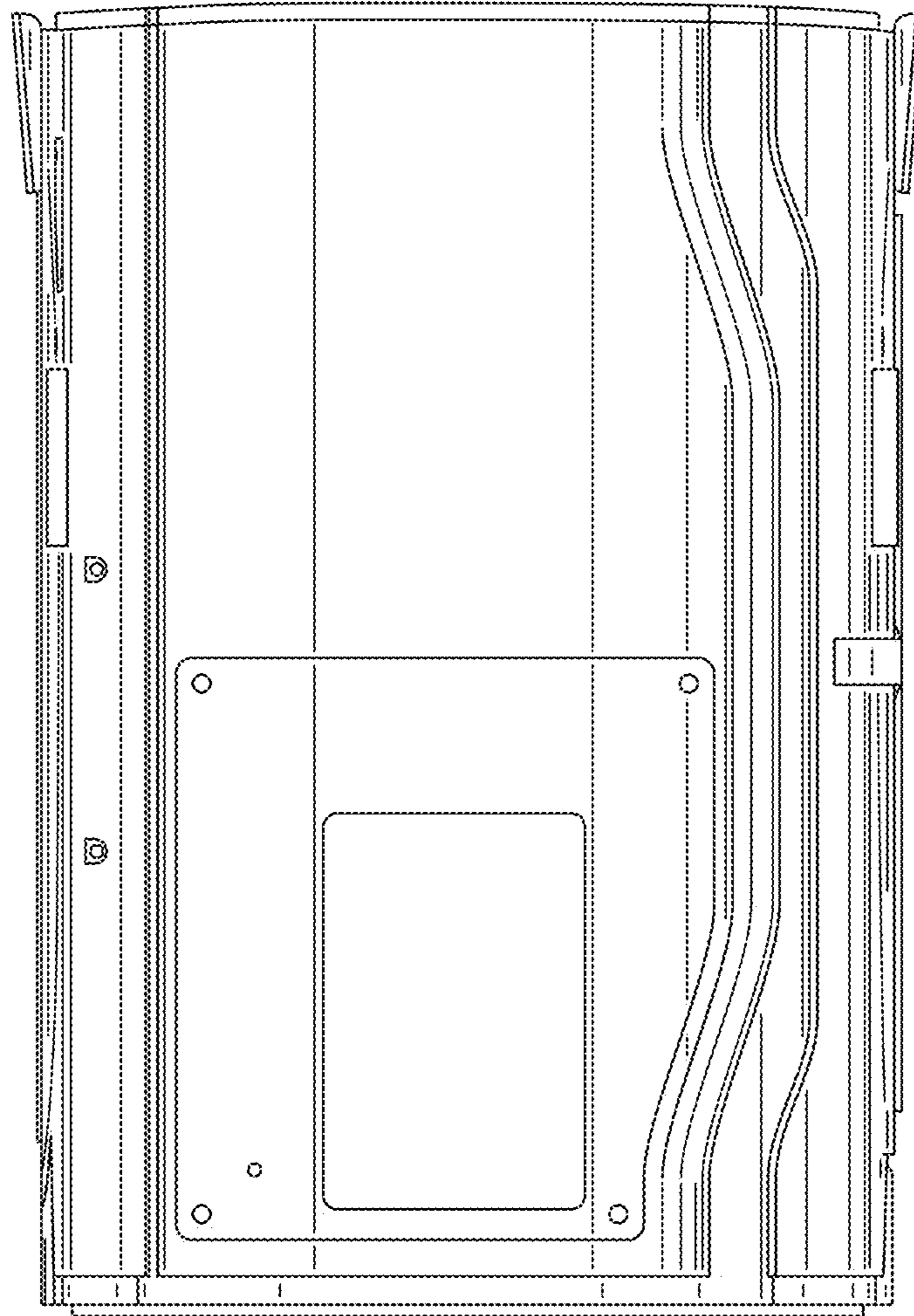


FIG. 12

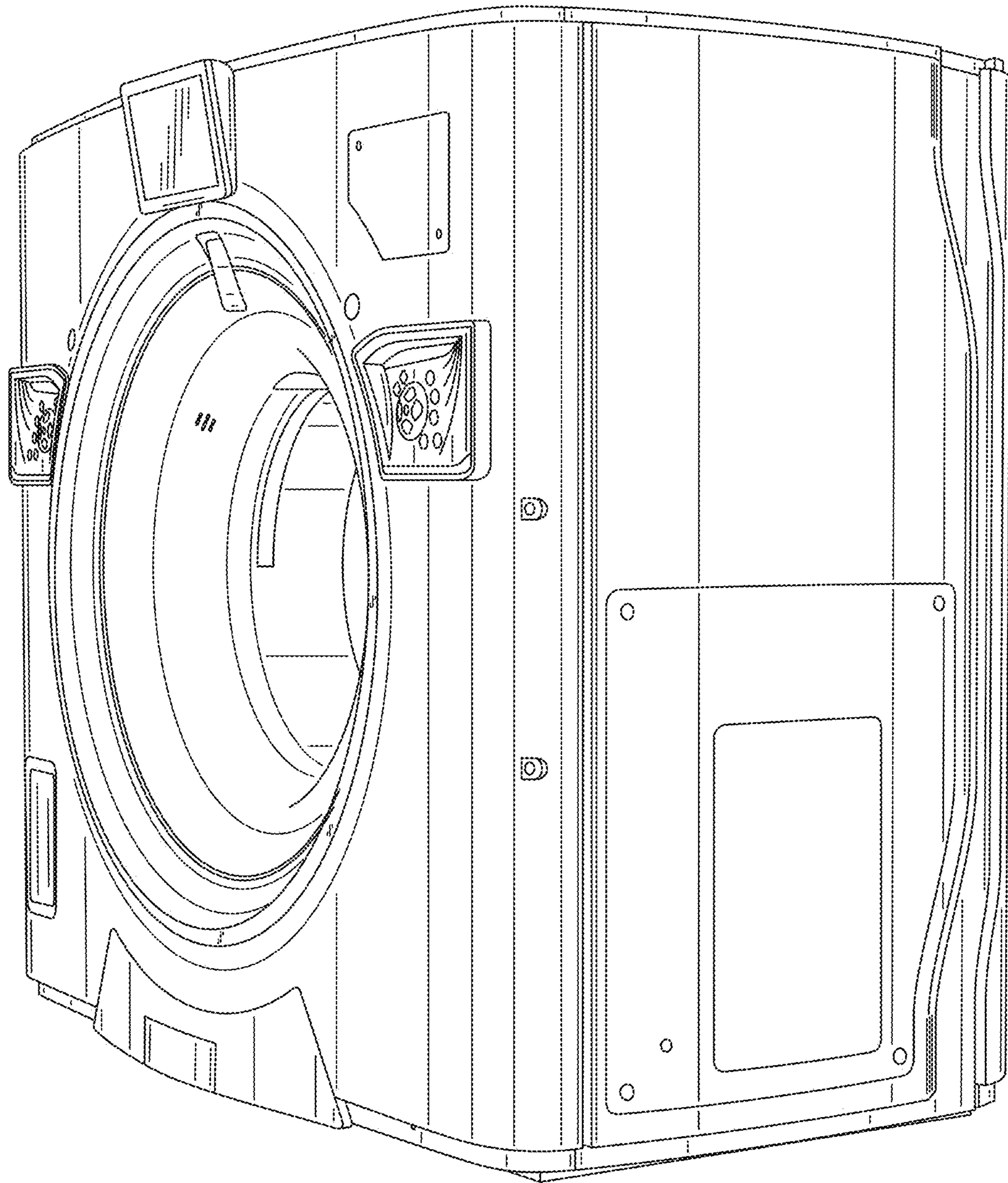


FIG. 13

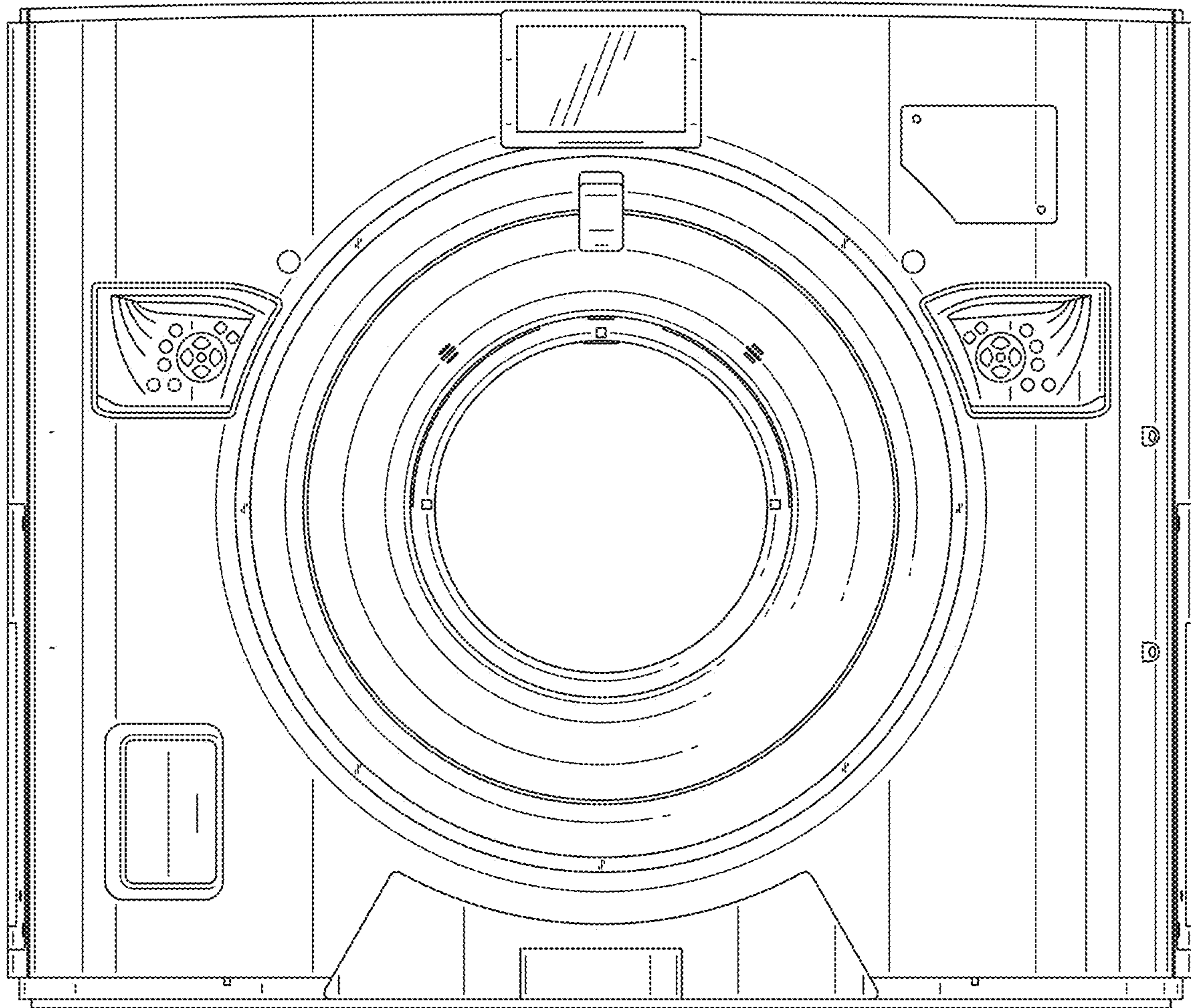


FIG. 14



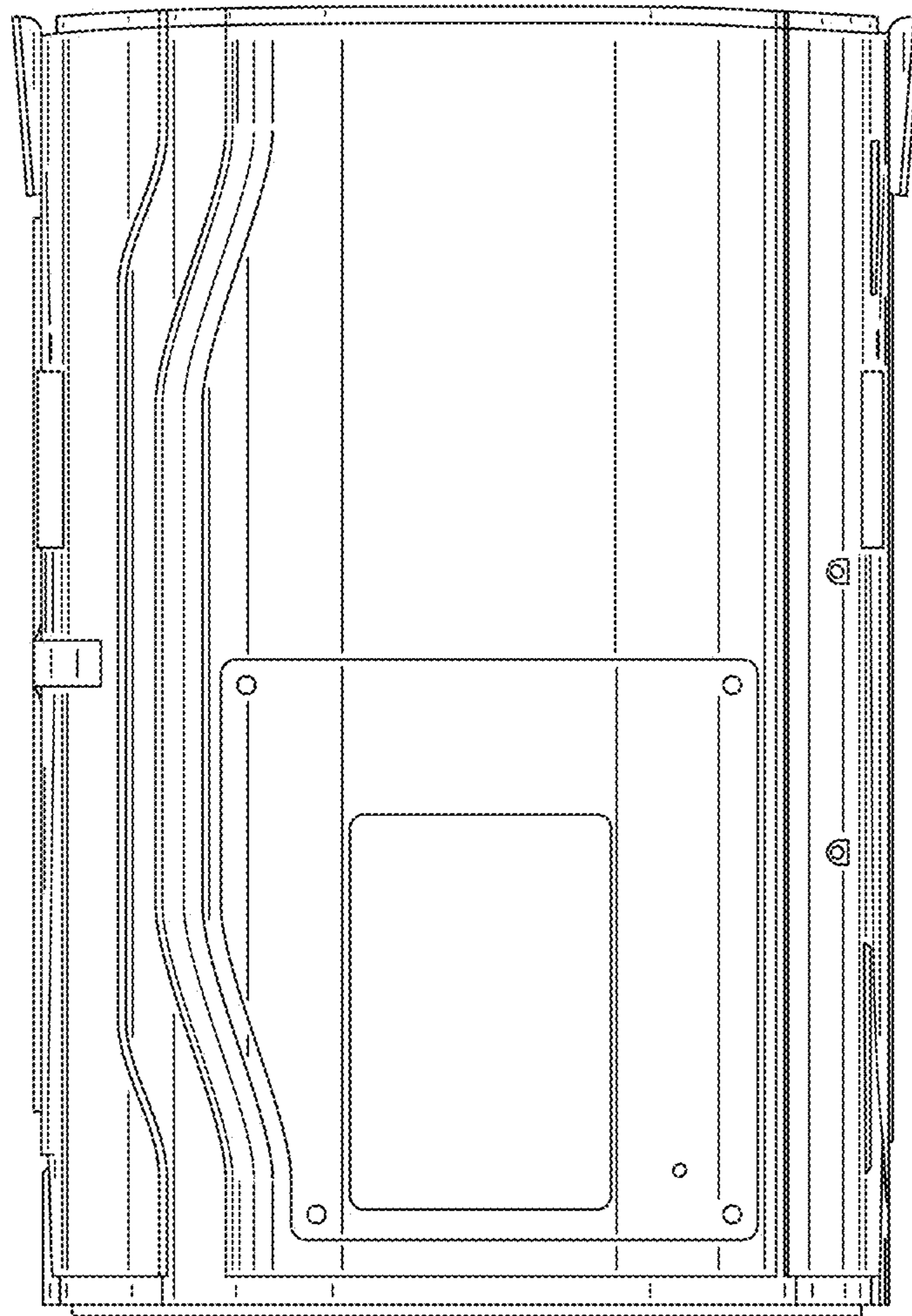


FIG. 15

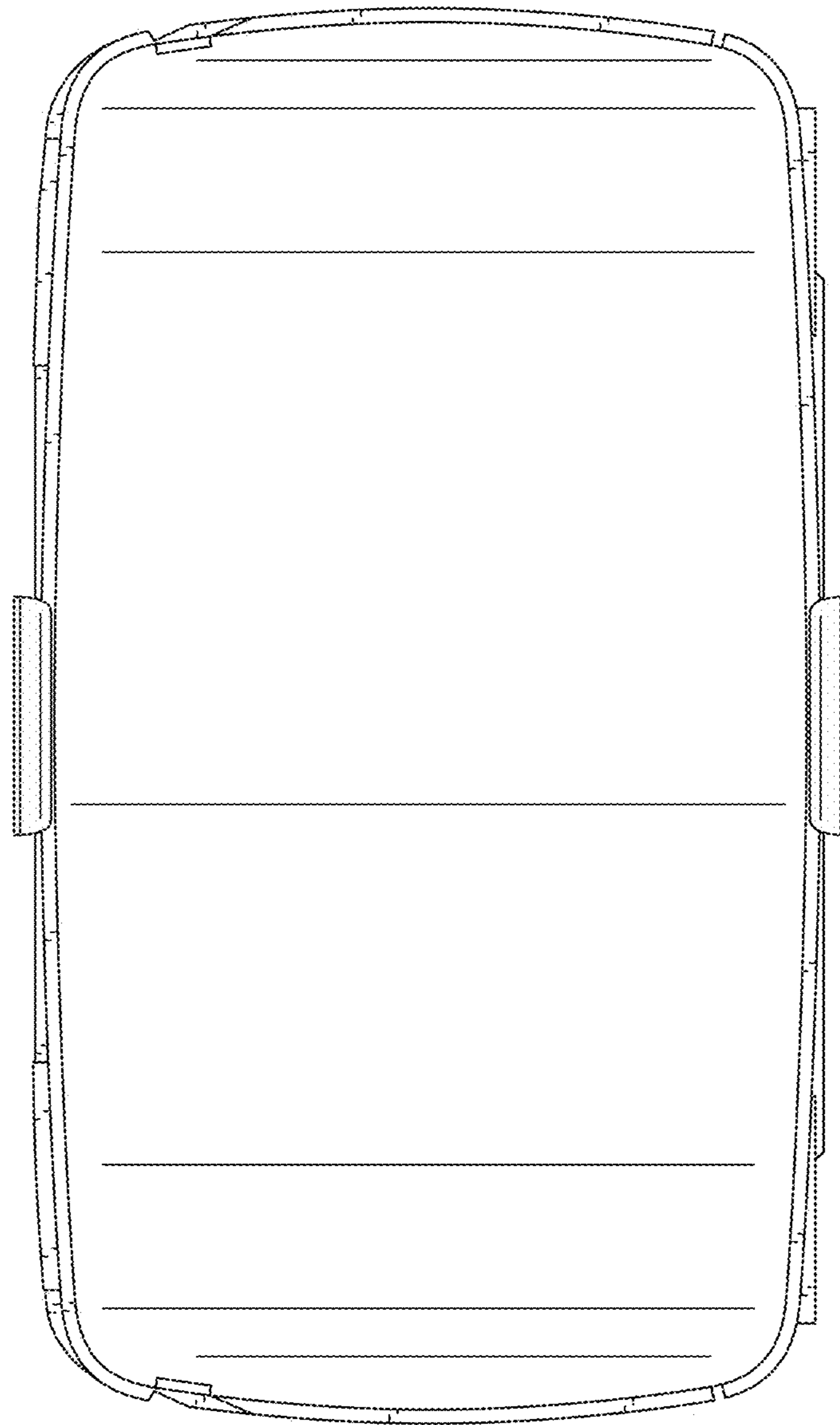


FIG. 16

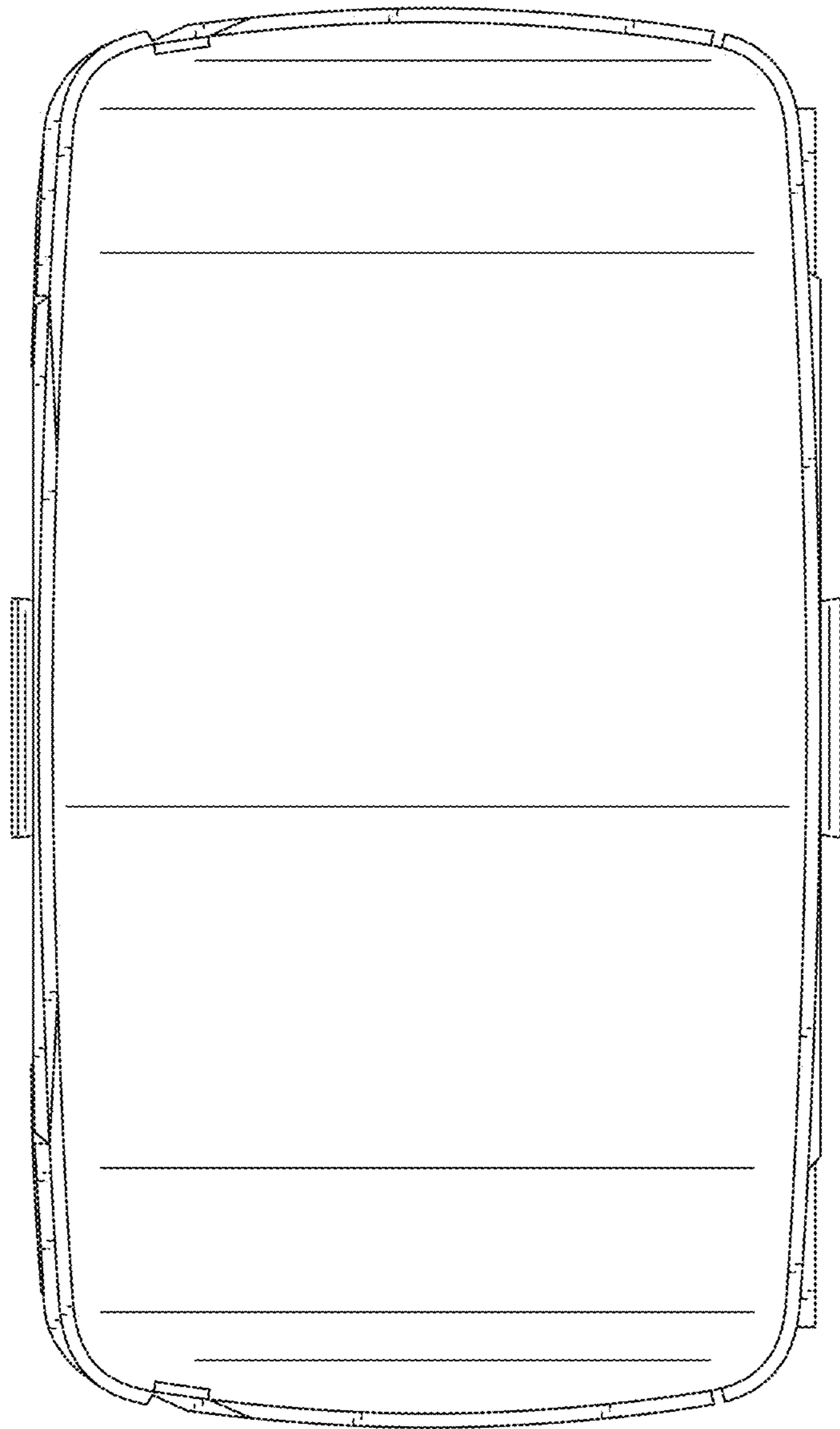


FIG. 17

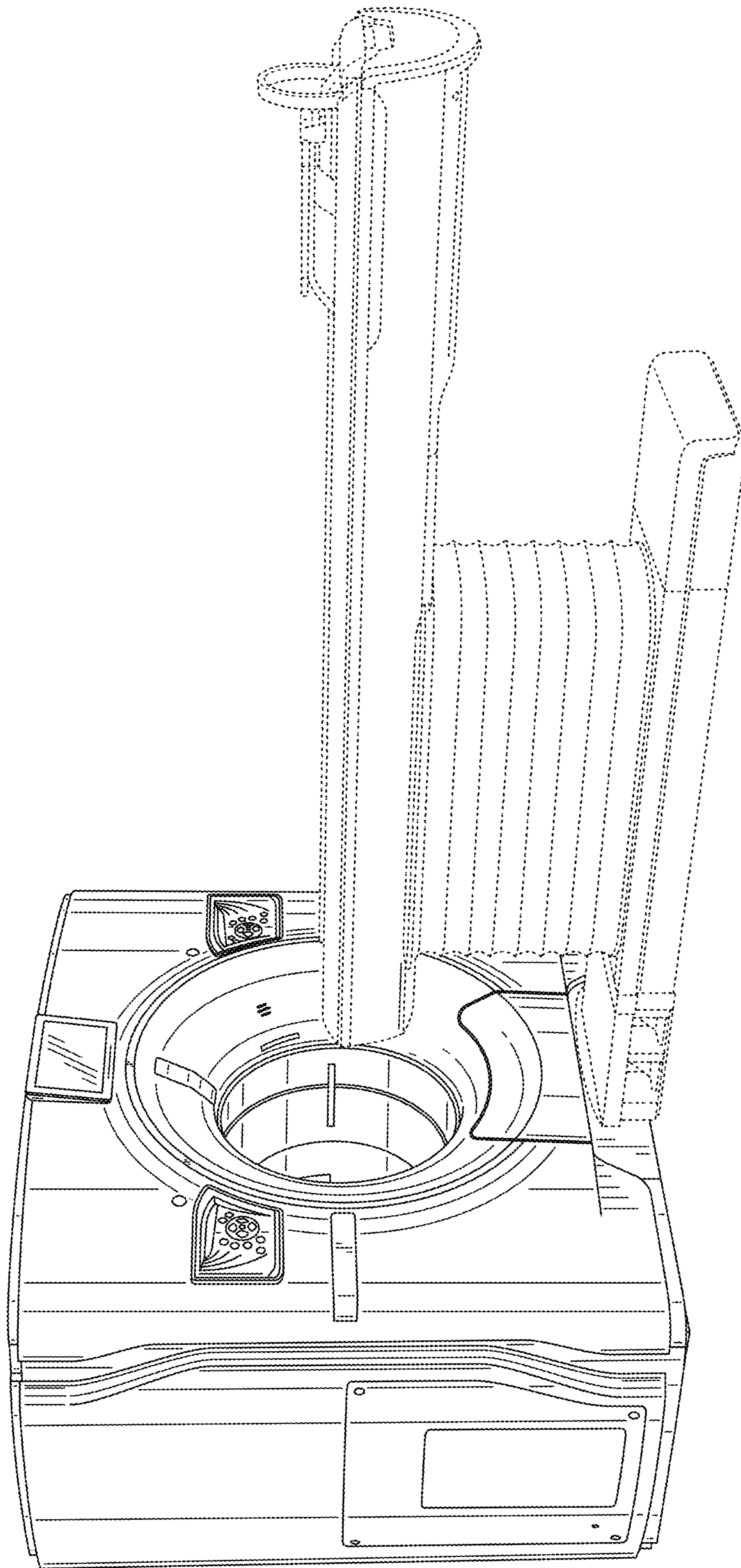


FIG. 18