



US00D898916S

(12) **United States Design Patent** (10) **Patent No.:** **US D898,916 S**  
**Personnelli** (45) **Date of Patent:** **\*\* Oct. 13, 2020**

- (54) **MAGNETIC RESONANCE IMAGING DEVICE**
- (71) Applicant: **GE Precision Healthcare LLC**,  
Wauwatosa, WI (US)
- (72) Inventor: **Regis Gerard Personnelli**, Buc (FR)
- (73) Assignee: **GE PRECISION HEALTHCARE LLC**,  
Wauwatosa, WI (US)
- (\*\*) Term: **15 Years**
- (21) Appl. No.: **29/644,426**
- (22) Filed: **Apr. 17, 2018**

**Related U.S. Application Data**

- (62) Division of application No. 29/585,477, filed on Nov. 23, 2016, now Pat. No. Des. 818,126.
- (51) **LOC (12) Cl.** ..... **24-01**
- (52) **U.S. Cl.**  
USPC ..... **D24/158**
- (58) **Field of Classification Search**  
USPC ..... D24/107, 158-161, 185, 186, 187, 231  
CPC .. A61B 6/03; A61B 6/035; A61B 5/05; A61B 5/055  
See application file for complete search history.

**References Cited**

**U.S. PATENT DOCUMENTS**

D420,134 S *	2/2000	Kitayama	.....	D24/159
6,438,203 B1 *	8/2002	Shipeng	.....	A61N 5/1081 378/65
D625,416 S *	10/2010	Kasai	.....	D24/158
D649,250 S *	11/2011	Ishihara	.....	D24/158
D706,424 S *	6/2014	Banryu	.....	D24/158
D771,816 S *	11/2016	Park	.....	D24/158
D783,830 S *	4/2017	Baba	.....	D24/158

(Continued)

*Primary Examiner* — Anhdao Doan  
(74) *Attorney, Agent, or Firm* — Armstrong Teasdale LLP

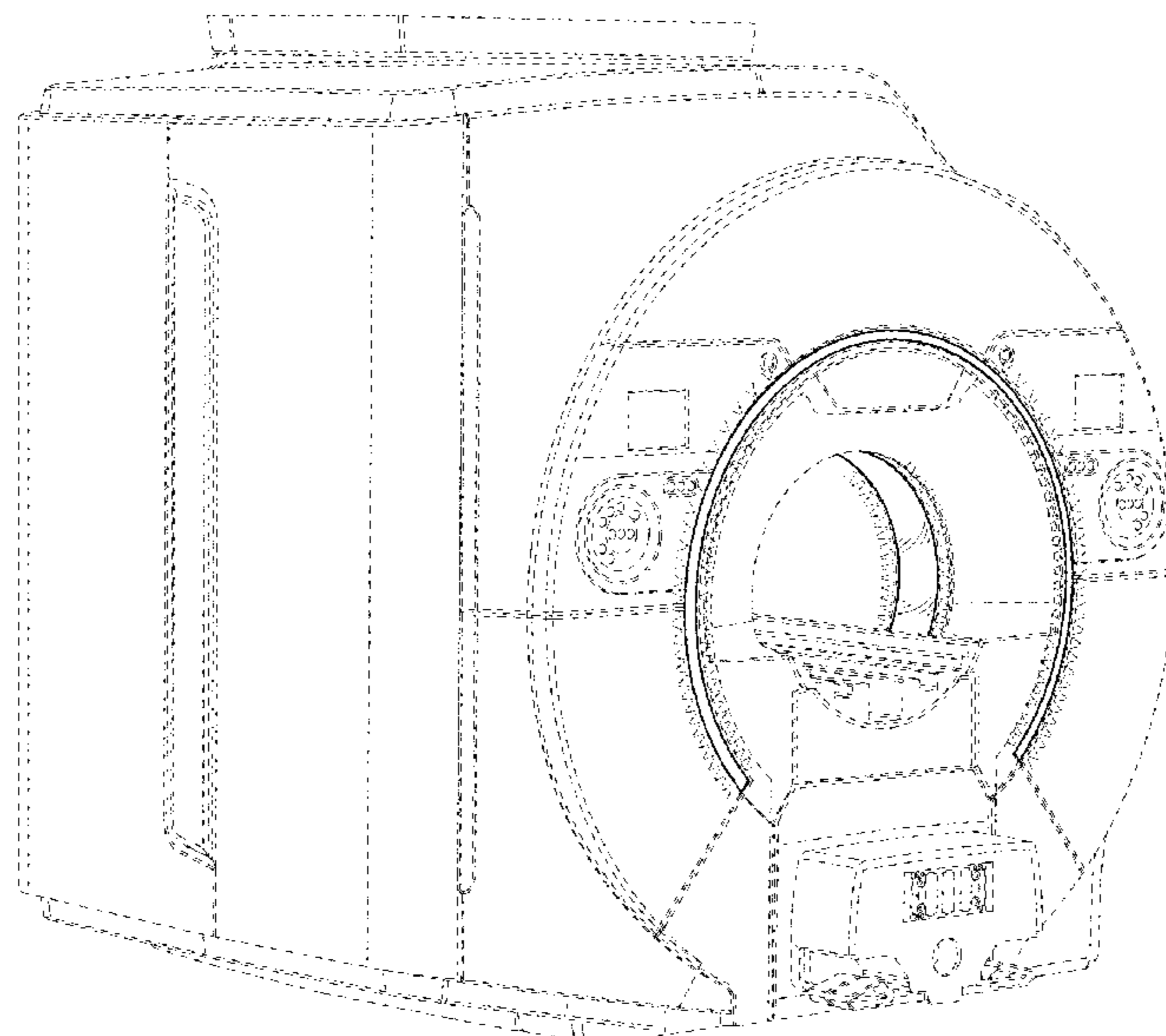
(57) **CLAIM**

The ornamental design for a magnetic resonance imaging device, as shown and described.

**DESCRIPTION**

FIG. 1 is a front left perspective view of a design for a magnetic resonance imaging device.  
 FIG. 2 is a front right perspective view of the magnetic resonance imaging device of FIG. 1.  
 FIG. 3 is a front view of the magnetic resonance imaging device of FIG. 1.  
 FIG. 4 is a left side view of the magnetic resonance imaging device of FIG. 1.  
 FIG. 5 is a right side view of the magnetic resonance imaging device of FIG. 1.  
 FIG. 6 is a rear view of the magnetic resonance imaging device of FIG. 1.  
 FIG. 7 is a top view of the magnetic resonance imaging device of FIG. 1.  
 FIG. 8 is a bottom view of the magnetic resonance imaging device of FIG. 1.  
 FIG. 9 is a rear right perspective view of the magnetic resonance imaging device of FIG. 1.  
 FIG. 10 is a rear left perspective view of the magnetic resonance imaging device of FIG. 1.  
 FIG. 11 is a cross-sectional view of the magnetic resonance imaging device of FIG. 1; and,  
 FIG. 12 is a perspective cross-sectional view of the magnetic resonance imaging device of FIG. 1.  
 The broken lines in FIGS. 1-12 are included for the purpose of illustrating environmental structure and form no part of the claimed design.  
 The radiating lines, depicted in dotted v-shapes, represent a gradation of decreasing light intensity from higher intensity at the bottom of the strips to lower intensity at the top.

**1 Claim, 12 Drawing Sheets**



(56)

**References Cited**

U.S. PATENT DOCUMENTS

2007/0076842 A1\* 4/2007 Tkaczyk ..... A61B 6/032  
378/5  
2009/0086909 A1\* 4/2009 Hui ..... A61N 5/1084  
378/65  
2010/0020918 A1\* 1/2010 Popescu ..... A61B 6/035  
378/4  
2010/0080338 A1\* 4/2010 Fukushima ..... A61B 6/032  
378/4  
2016/0287347 A1\* 10/2016 Meier ..... A61B 6/08  
2017/0131370 A1\* 5/2017 Delaey ..... F21V 33/0068

\* cited by examiner



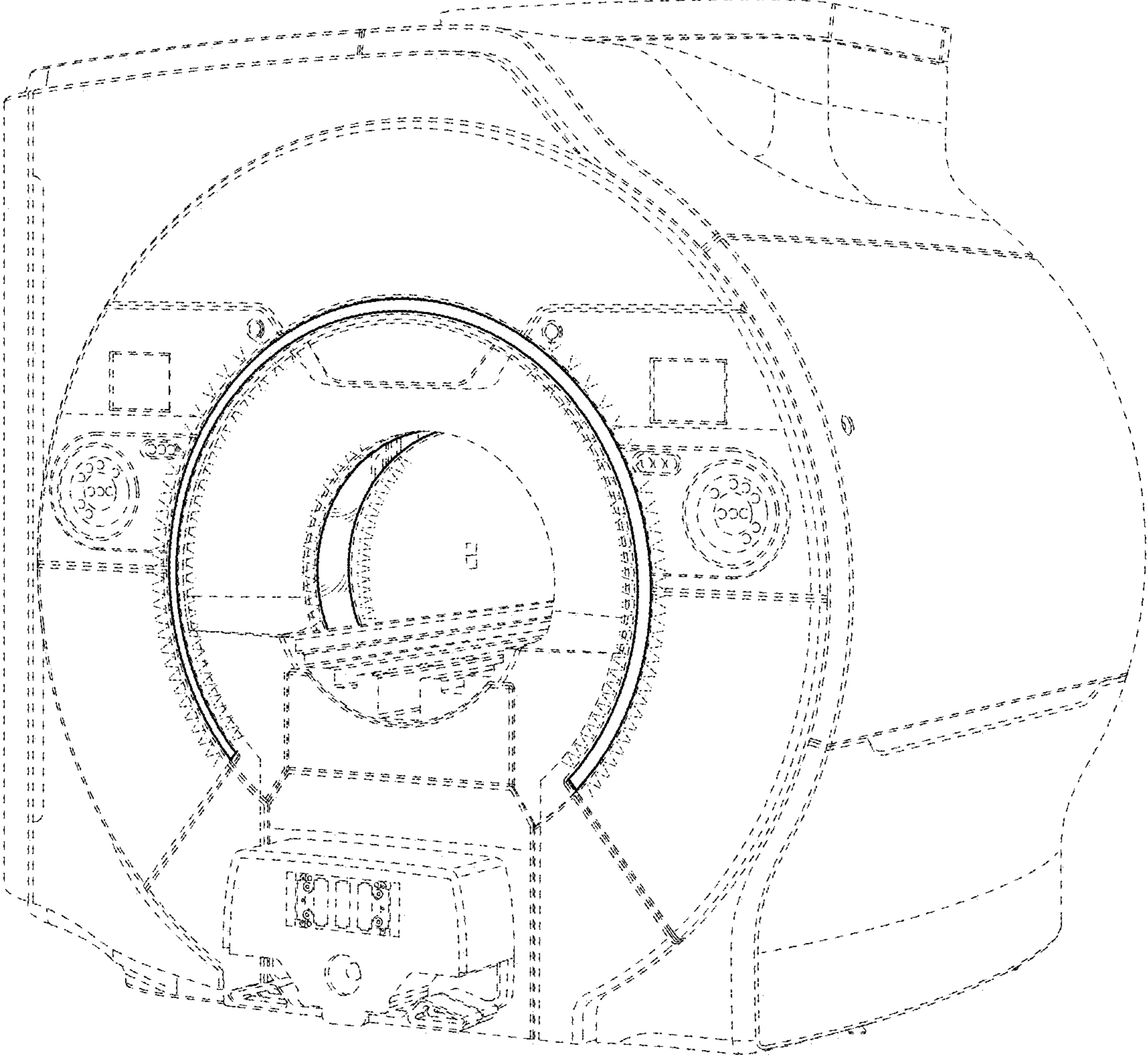


FIG. 2

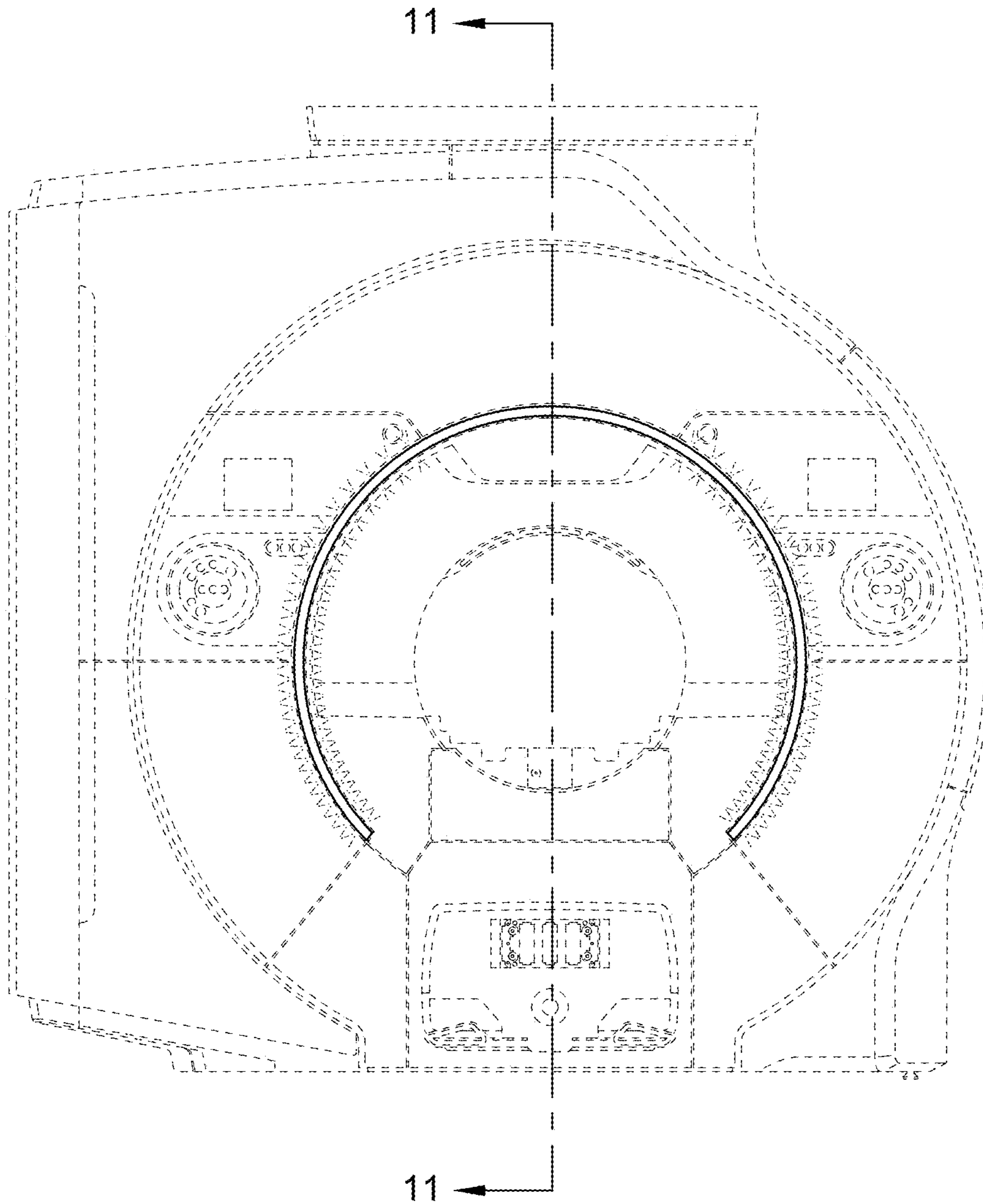


FIG. 3

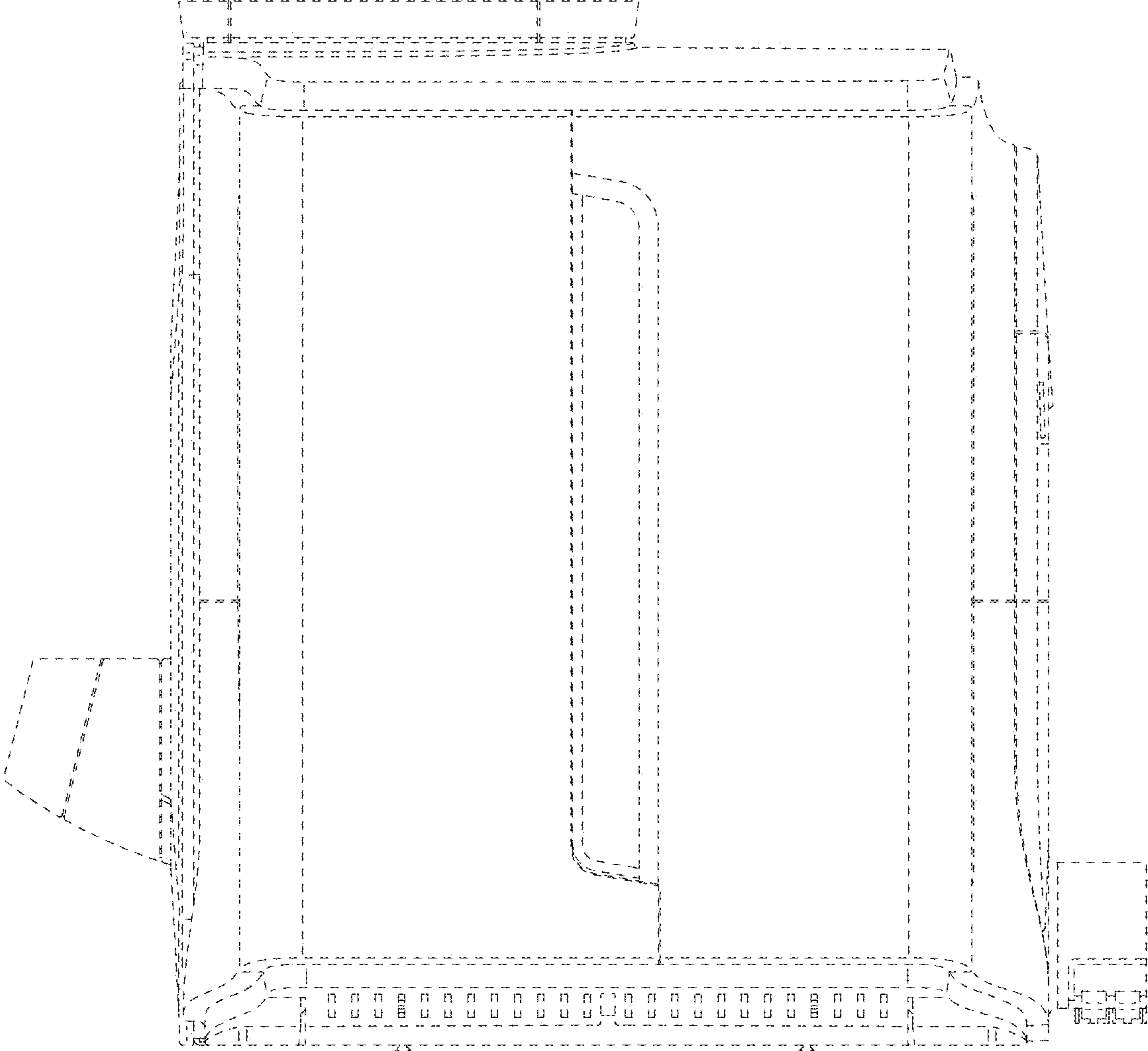


FIG. 4

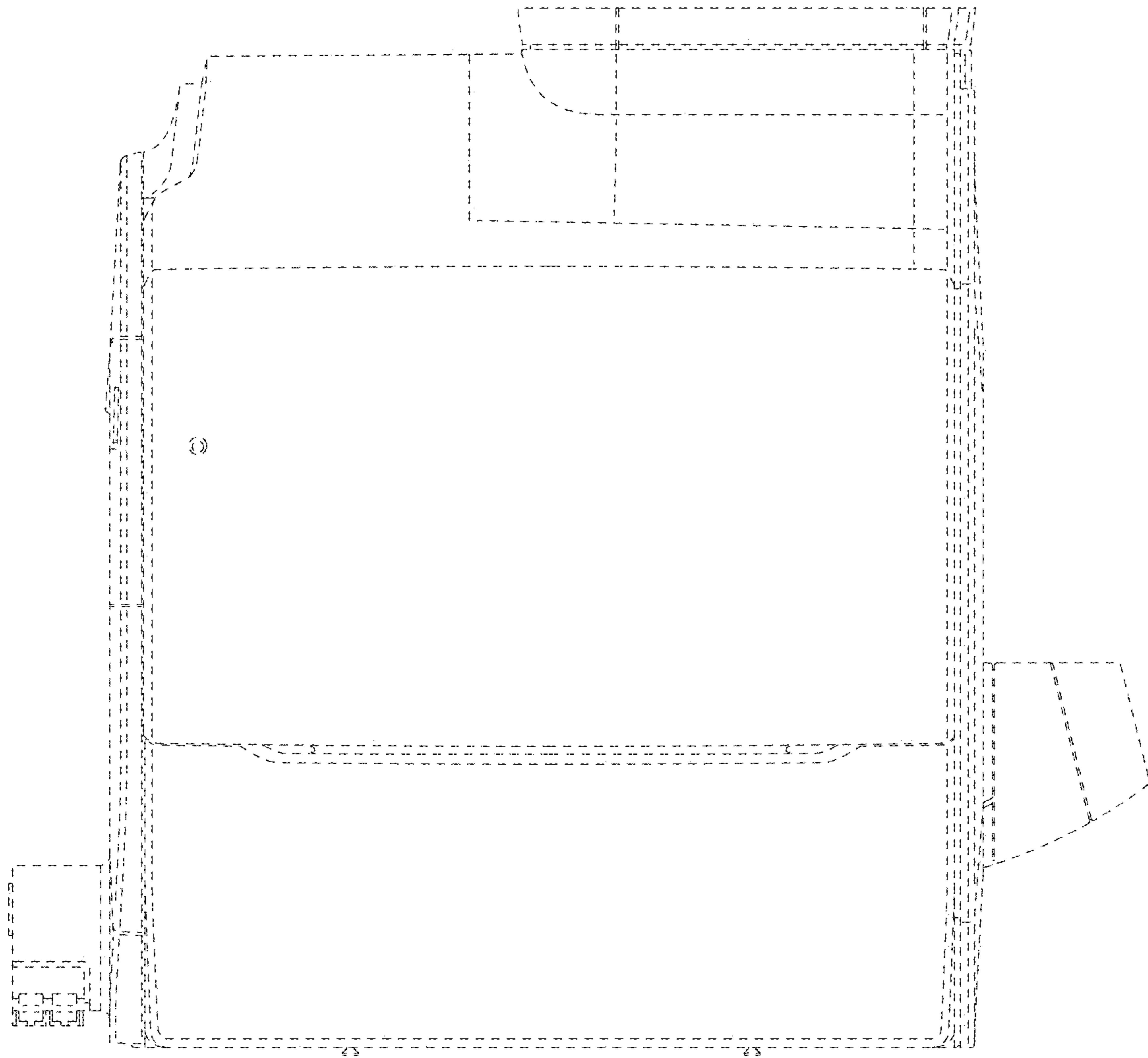


FIG. 5

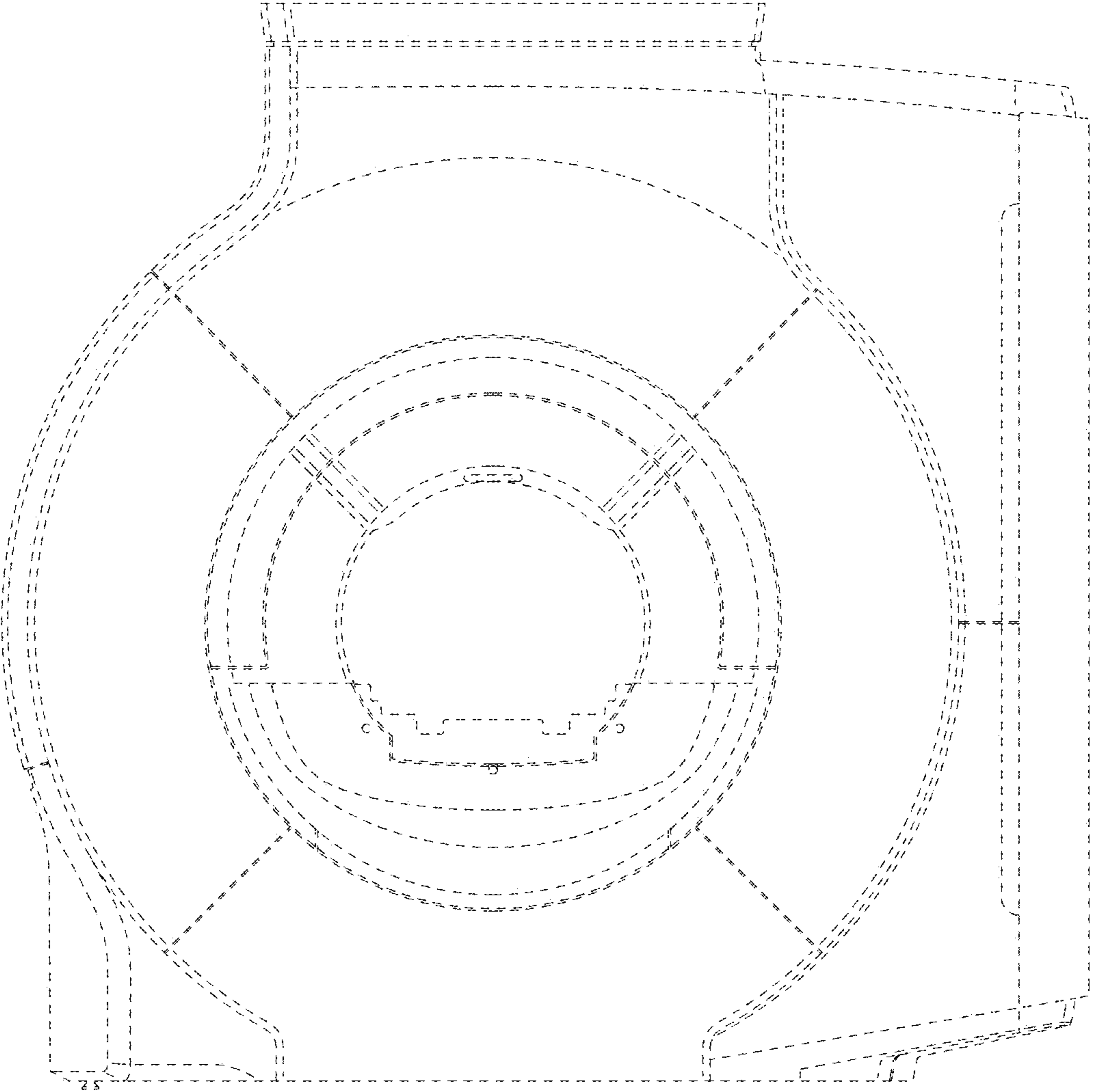


FIG. 6



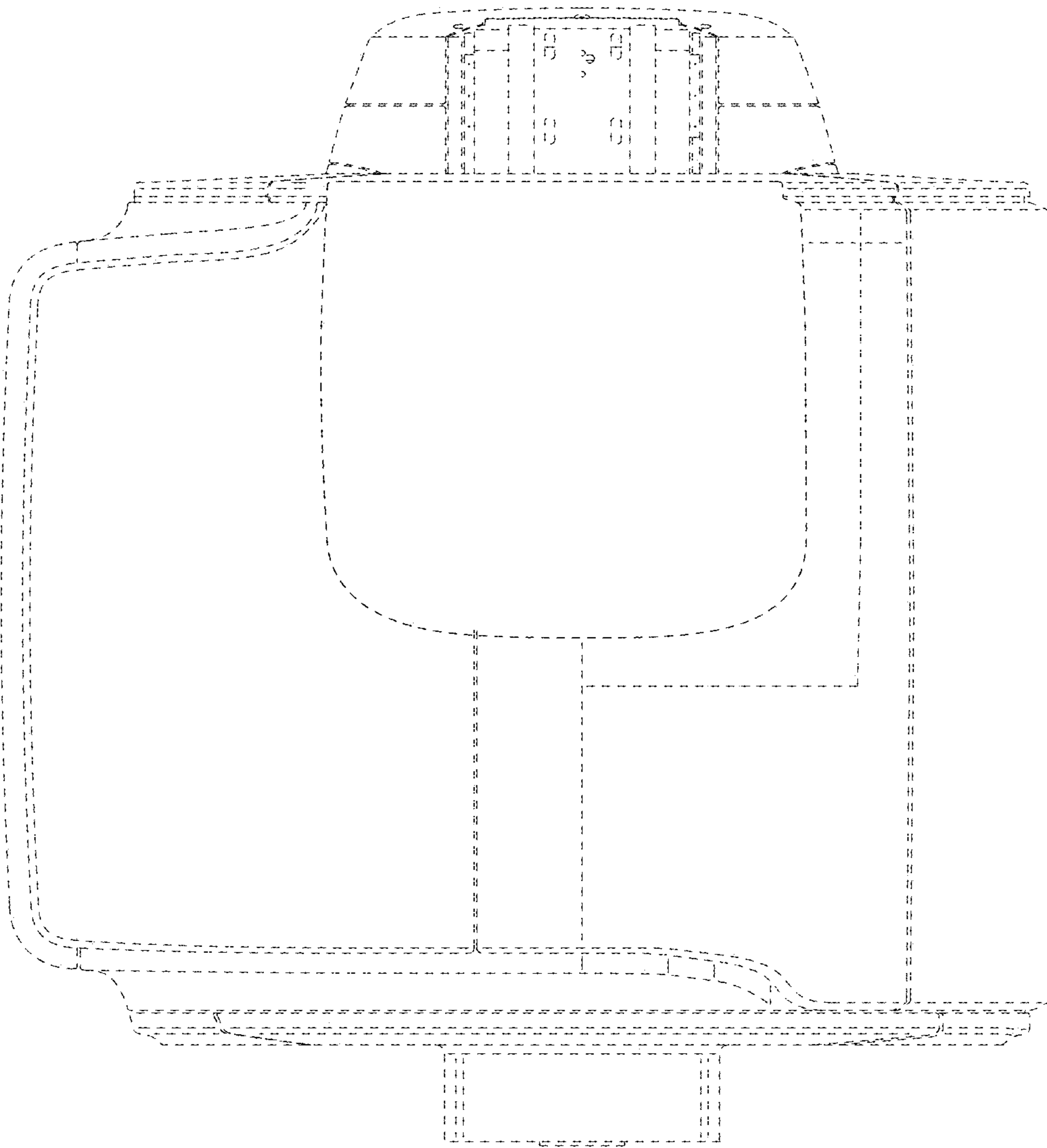


FIG. 7

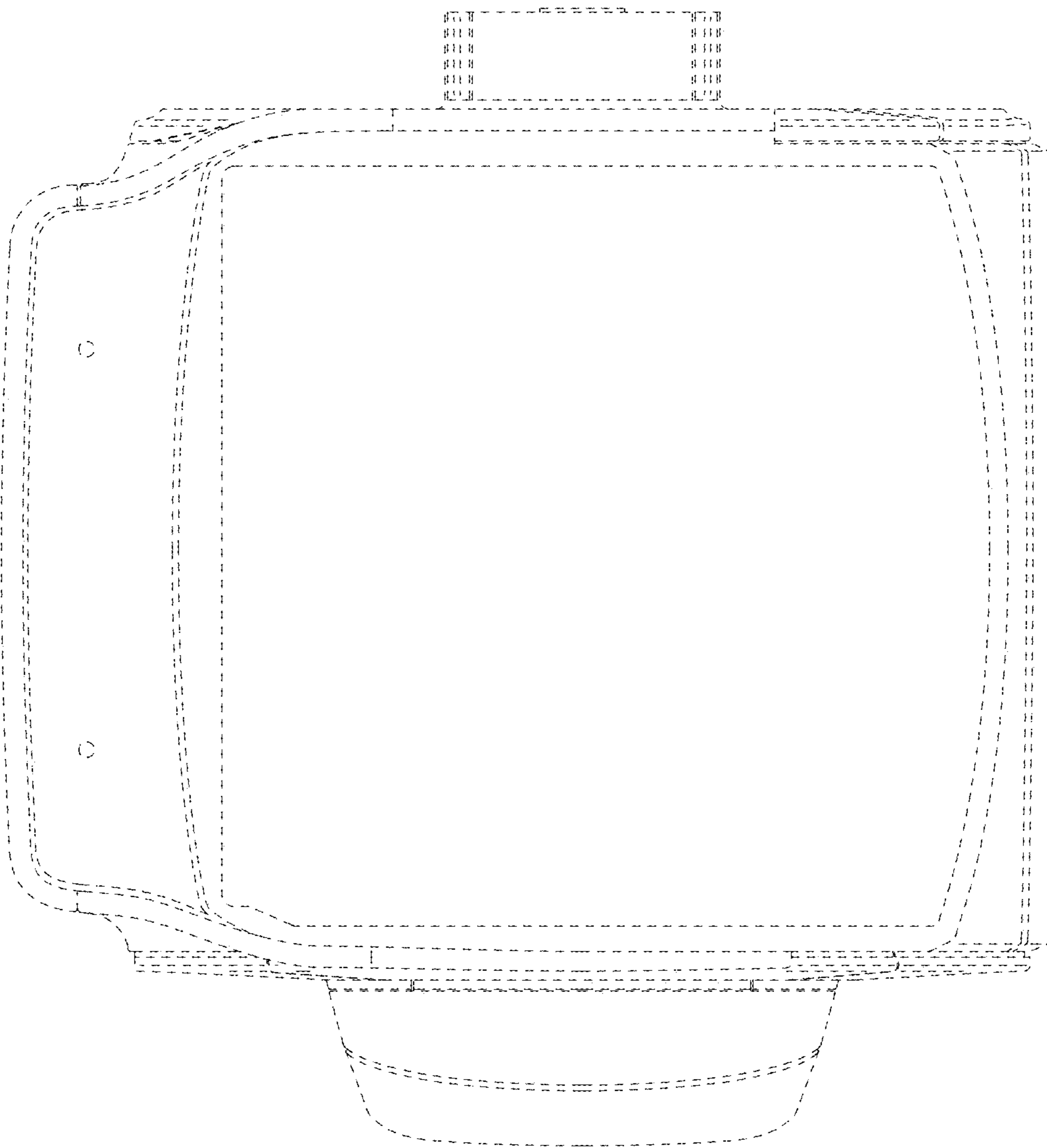


FIG. 8

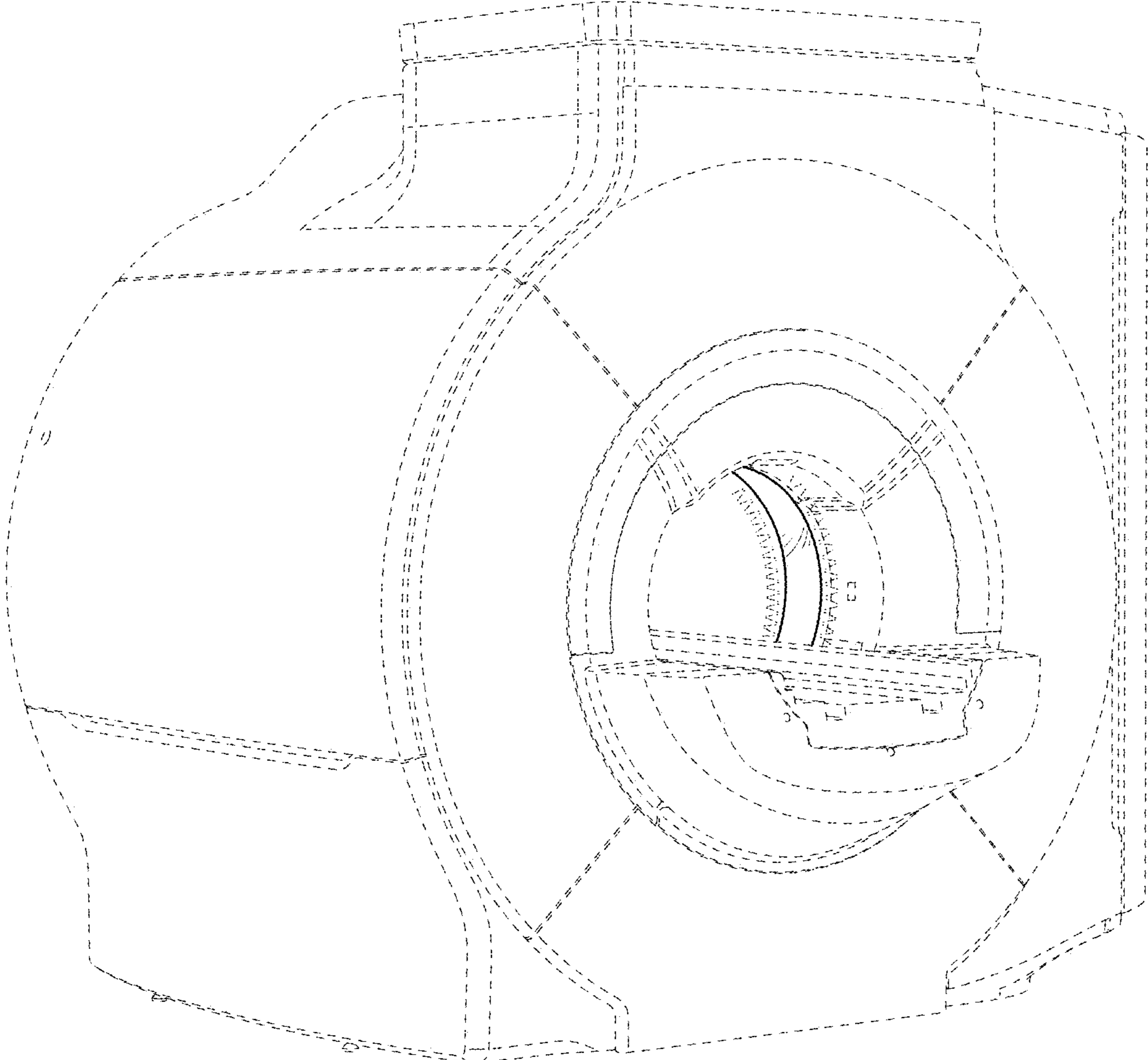


FIG. 9

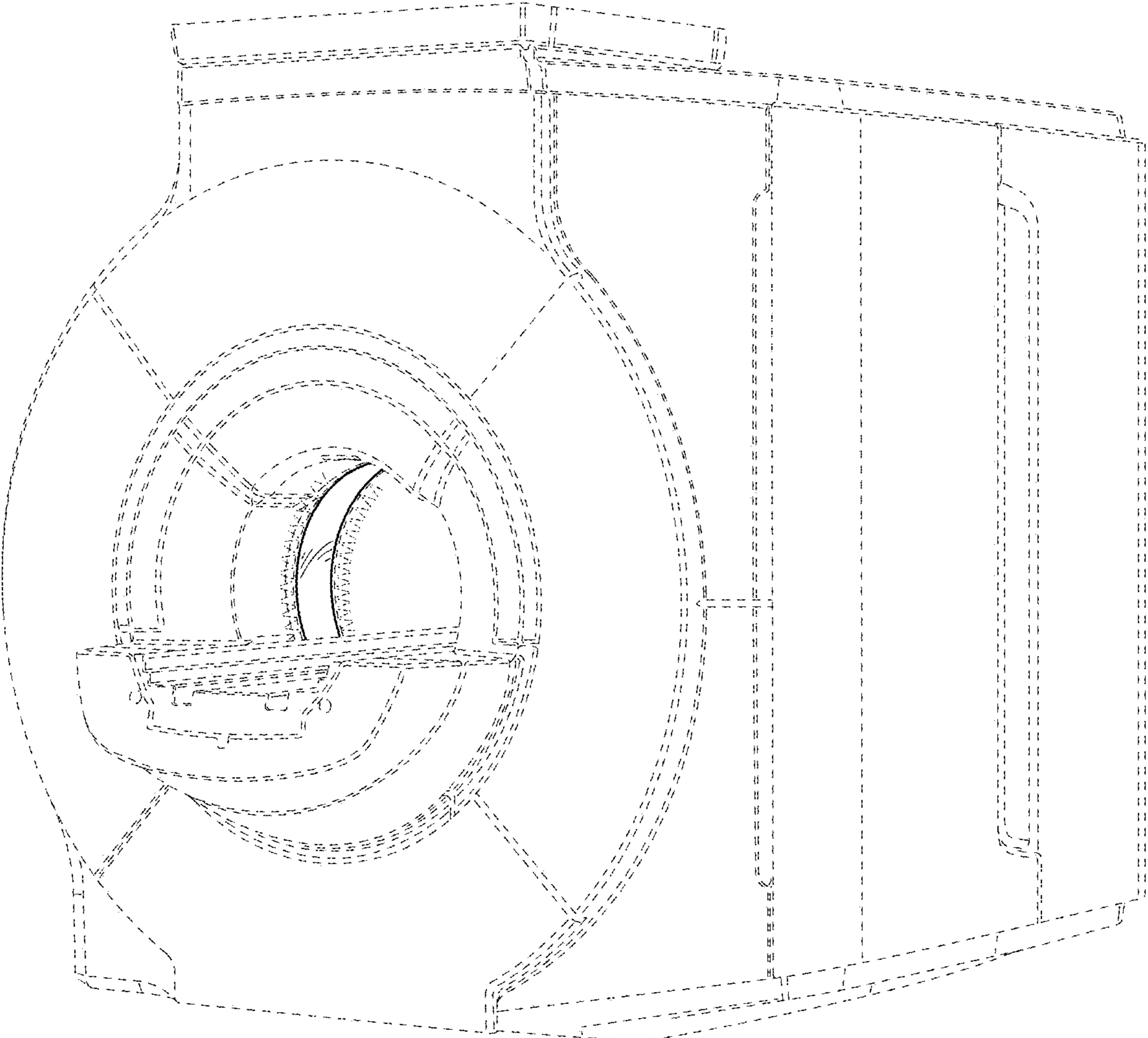


FIG. 10

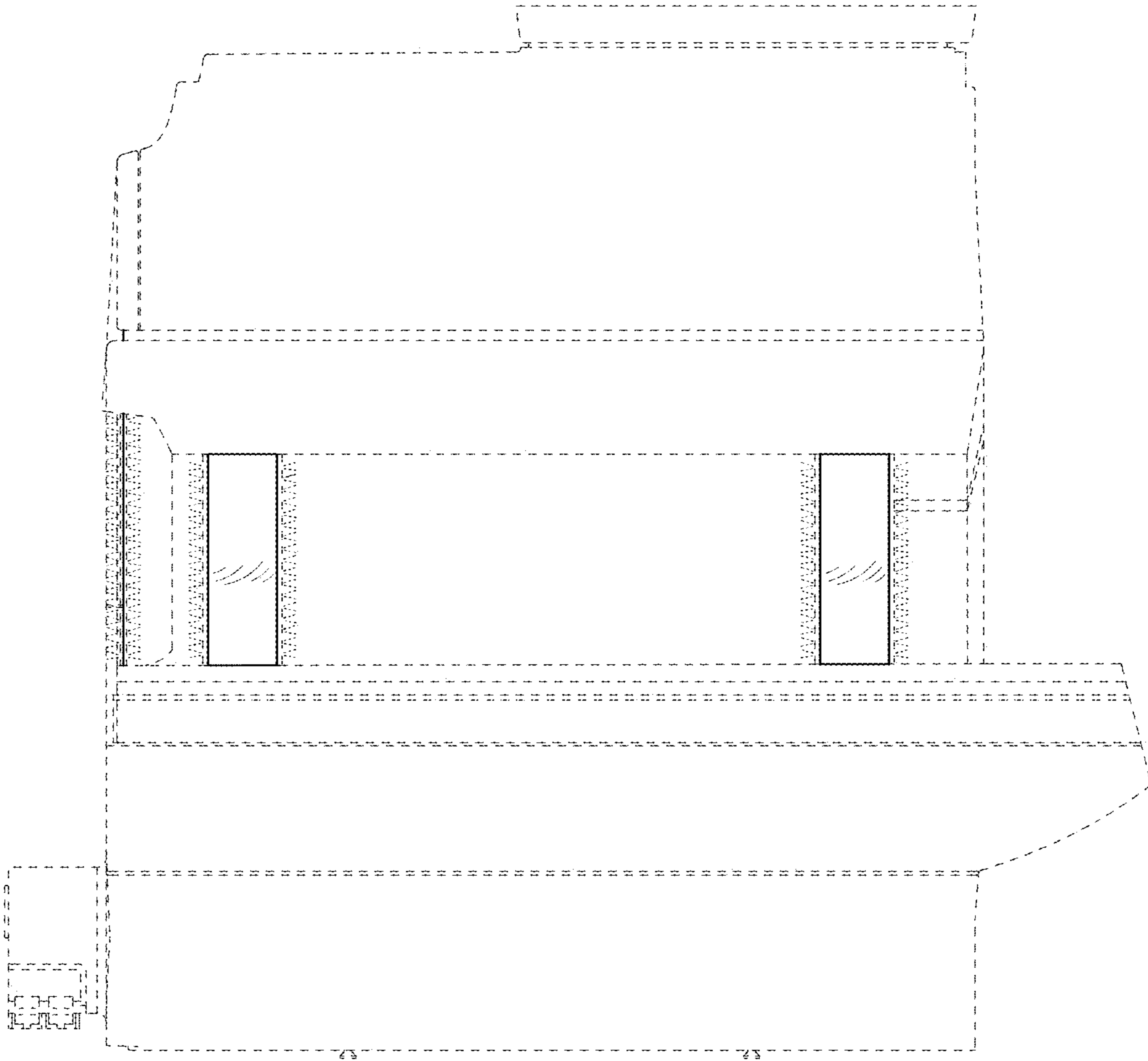


FIG. 11

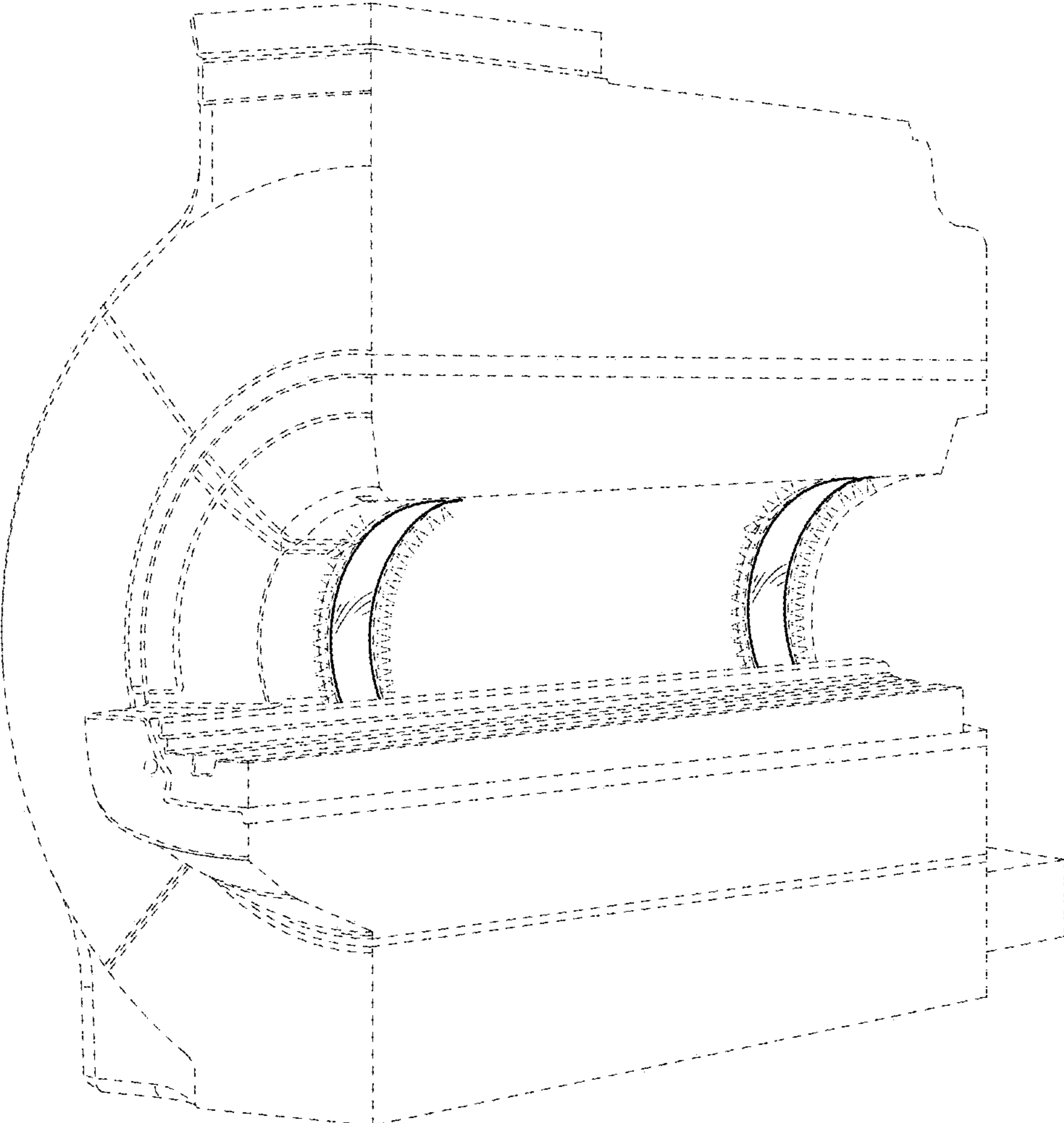


FIG. 12