



US00D898915S

(12) **United States Design Patent** (10) **Patent No.:** **US D898,915 S**
Chen (45) **Date of Patent:** **** Oct. 13, 2020**

(54) **FIVE LEVELS DRILL FOR DENTAL IMPLANT**

(71) Applicant: **Chun-Leon Chen**, Taipei (TW)

(72) Inventor: **Chun-Leon Chen**, Taipei (TW)

(**) Term: **15 Years**

(21) Appl. No.: **29/673,010**

(22) Filed: **Dec. 11, 2018**

(30) **Foreign Application Priority Data**

Jun. 11, 2018 (TW) 107303316

(51) **LOC (12) Cl.** **24-02**

(52) **U.S. Cl.**
USPC **D24/152**

(58) **Field of Classification Search**
USPC D24/133, 146, 147, 152, 155, 156, 176,
D24/221; D8/14, 47, 98; D15/132;
433/142, 143, 144, 215
CPC A61C 3/00; A61C 3/03; A61C 3/04; A61C
3/06; A61C 17/00; A61C 17/16; A61C
17/18; A61C 17/22
See application file for complete search history.

(56) **References Cited**

U.S. PATENT DOCUMENTS

D273,984 S *	5/1984	Vlock	433/225
D288,361 S *	2/1987	Lichtman	D24/112
D355,487 S *	2/1995	Broberg	D24/156
D507,650 S *	7/2005	Teich	D24/156
D601,253 S *	9/2009	Kahdemann	D24/156
8,038,445 B2 *	10/2011	Brajnovic	B23B 51/10 433/165
D694,407 S *	11/2013	Ackermann	D24/147
D740,423 S *	10/2015	Fregoso	D24/152
D741,484 S *	10/2015	Cho	D24/146
D814,633 S *	4/2018	Eder	D24/152

D853,562 S *	7/2019	Thorne	D24/152
D854,156 S *	7/2019	Thorne	D24/152
D872,264 S *	1/2020	Thorne	D24/155
D879,294 S *	3/2020	Sarig	D24/152
D884,178 S *	5/2020	Lauf	A61F 2/4241 D24/155
2012/0148983 A1 *	6/2012	Mullen	B22F 3/1055 433/174

FOREIGN PATENT DOCUMENTS

CN	201564622 U	12/2009
CN	303606894 S	10/2015
CN	303703700 S	10/2015
JP	2007069002 A	3/2007
KR	20110039880 A	4/2011
TW	M313500 U	6/2007
TW	M382120 U	6/2010
TW	I474805 B	3/2015
TW	D179527	9/2015

* cited by examiner

Primary Examiner — Wan Laymon

Assistant Examiner — Clint A Samuel

(74) *Attorney, Agent, or Firm* — Muncy, Geissler, Olds & Lowe, P.C.

(57) **CLAIM**

The ornamental design for a five levels drill for dental implant, as shown and described.

DESCRIPTION

FIG. 1 is a perspective view of a five levels drill for dental implant;

FIG. 2 is a front elevational view thereof;

FIG. 3 is a rear elevational view thereof;

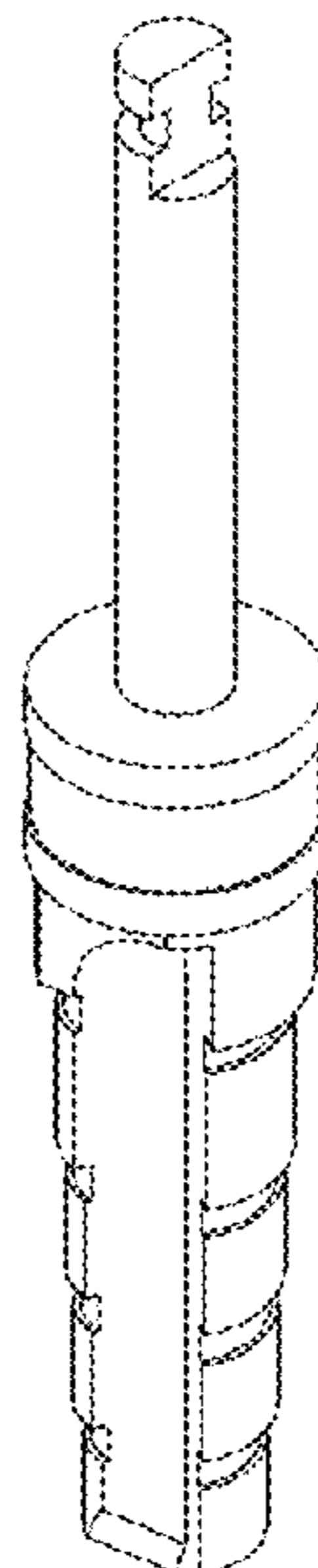
FIG. 4 is a left side elevational view thereof;

FIG. 5 is a right side elevational view thereof;

FIG. 6 is an enlarged top plan view thereof; and,

FIG. 7 is an enlarged bottom plan view thereof.

1 Claim, 7 Drawing Sheets



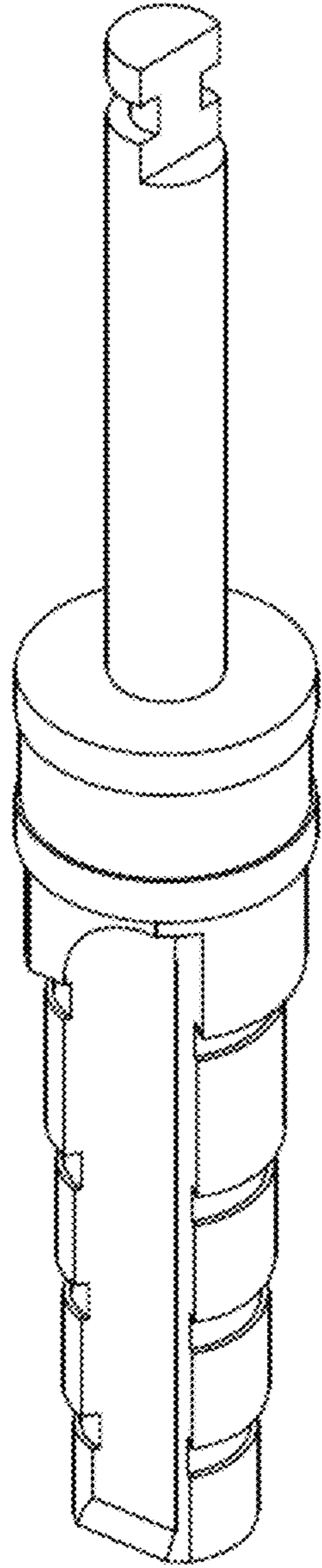


FIG. 1

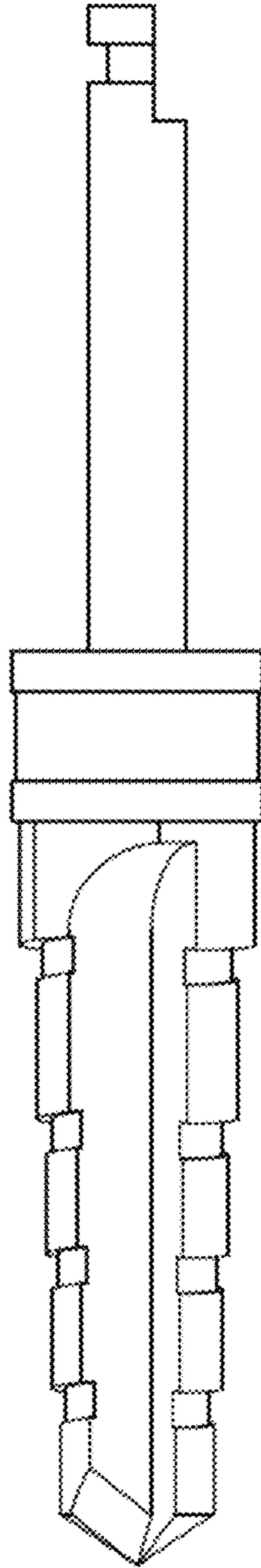


FIG.2

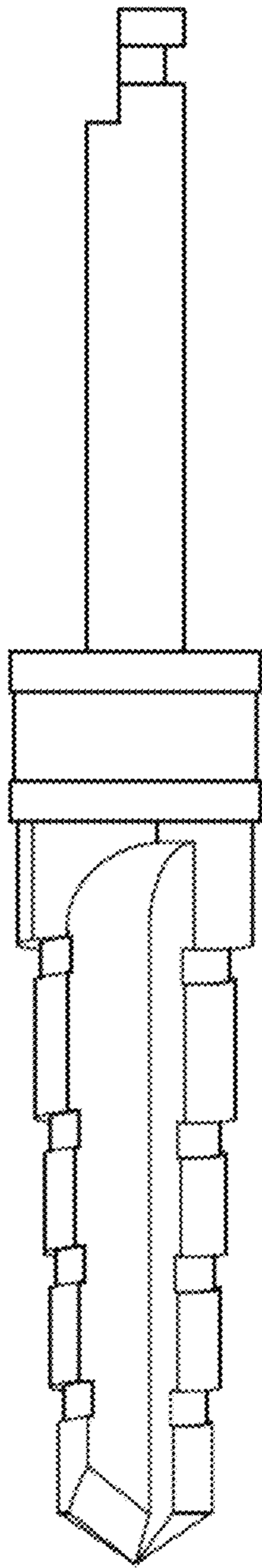


FIG.3

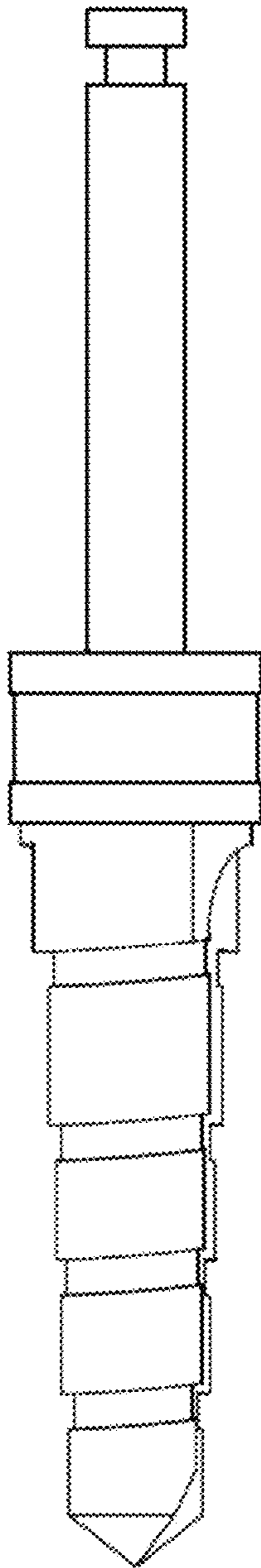


FIG.4

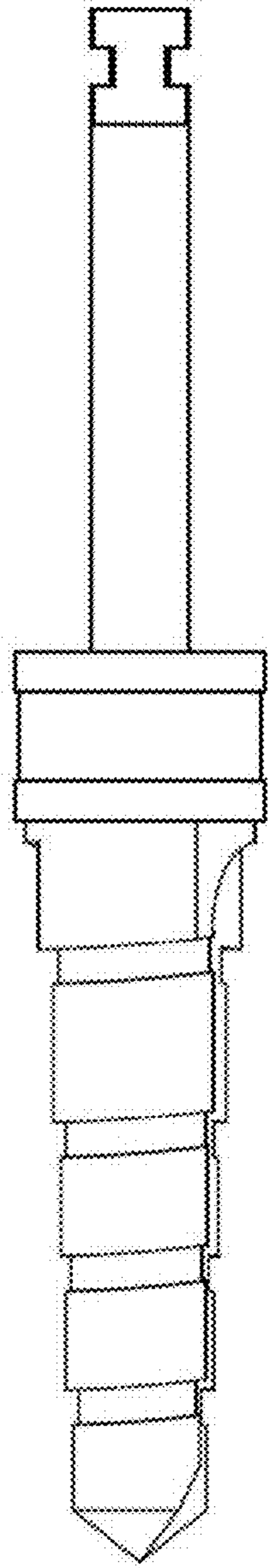


FIG.5

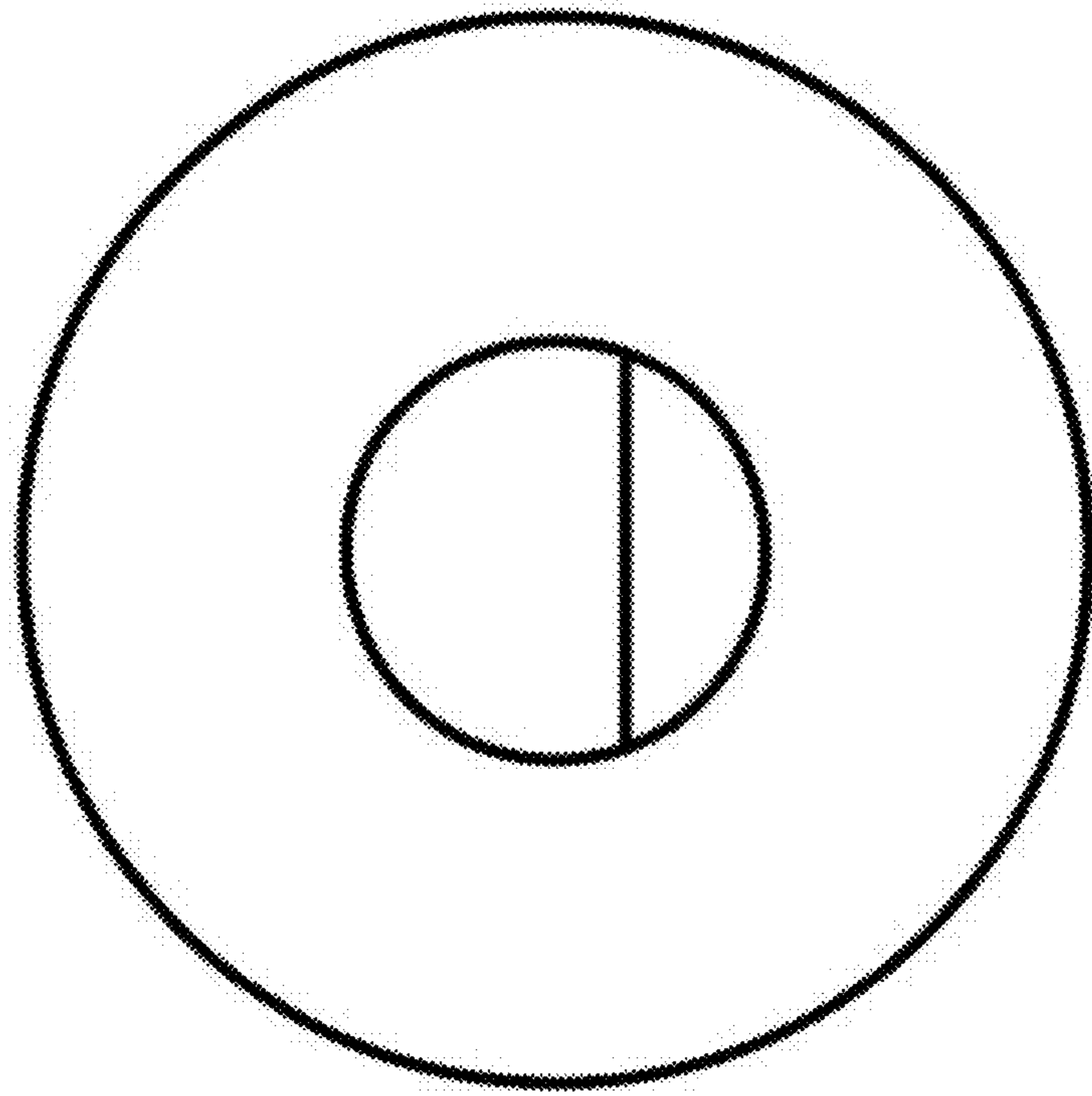


FIG.6

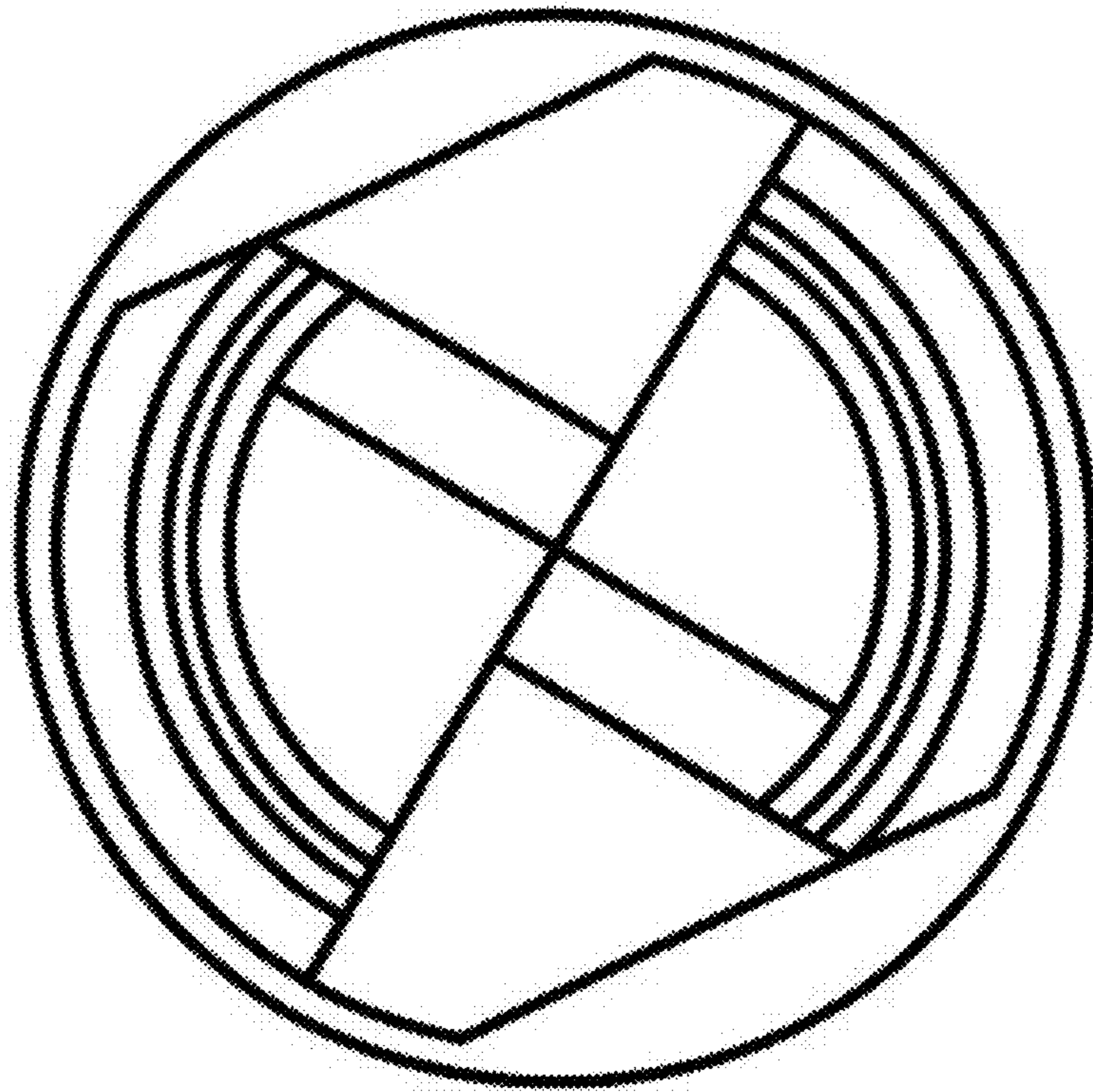


FIG. 7