



US00D898914S

(12) **United States Design Patent** (10) **Patent No.:** **US D898,914 S**
Niver et al. (45) **Date of Patent:** **** Oct. 13, 2020**

(54) **BONE PREPARATION TOOL**
(71) Applicant: **Medline Industries, Inc.**, Northfield, IL (US)
(72) Inventors: **Ryan Niver**, Glenview, IL (US); **Scott Goldstein**, Deerfield, IL (US)
(73) Assignee: **Medline Industries, Inc.**, Northfield, IL (US)
(**) Term: **15 Years**
(21) Appl. No.: **29/672,403**
(22) Filed: **Dec. 5, 2018**
(51) **LOC (12) Cl.** **24-02**
(52) **U.S. Cl.**
USPC **D24/147**
(58) **Field of Classification Search**
USPC D24/127, 130, 133, 146, 147, 104, 108, D24/112-114, 117-119, 141, 144, 148, D24/150, 155, 171, 176, 185, 186, 188, D24/200, 207, 209, 210, 216, 231, 232; 606/79, 84, 87; D8/5, 20, 92, 99
CPC A61B 17/1604; A61B 17/1671; A61B 17/144; A61B 17/16; A61B 17/1617
See application file for complete search history.

7,621,916 B2 * 11/2009 Lauryssen A61B 17/1757 606/86 R
7,818,843 B2 10/2010 Kinsky
7,963,967 B1 * 6/2011 Woods A61B 17/1604 606/79
8,307,490 B2 11/2012 Gringer
8,444,646 B2 * 5/2013 Long A61B 17/1642 606/79
9,011,446 B1 4/2015 Henderson
9,198,337 B2 12/2015 Walsh
9,198,743 B2 * 12/2015 Wang A61C 8/0089
D751,781 S 3/2016 Blouin
D771,813 S * 11/2016 Ripich D24/146
9,610,679 B2 4/2017 Henke
D793,556 S * 8/2017 Sweitzer D24/146
9,868,202 B1 1/2018 Burcham
D816,219 S * 4/2018 Sweitzer D24/146
10,022,245 B2 7/2018 Frasier
10,244,897 B2 * 4/2019 Iori A23G 9/44
D856,774 S * 8/2019 Kuperus D8/77
D868,988 S * 12/2019 Lieberman D24/215
D875,933 S * 2/2020 Reaux D24/146

(Continued)

Primary Examiner — Samantha Q Lawrence
(74) *Attorney, Agent, or Firm* — Fitch, Even, Tabin & Flannery LLP

(57) **CLAIM**

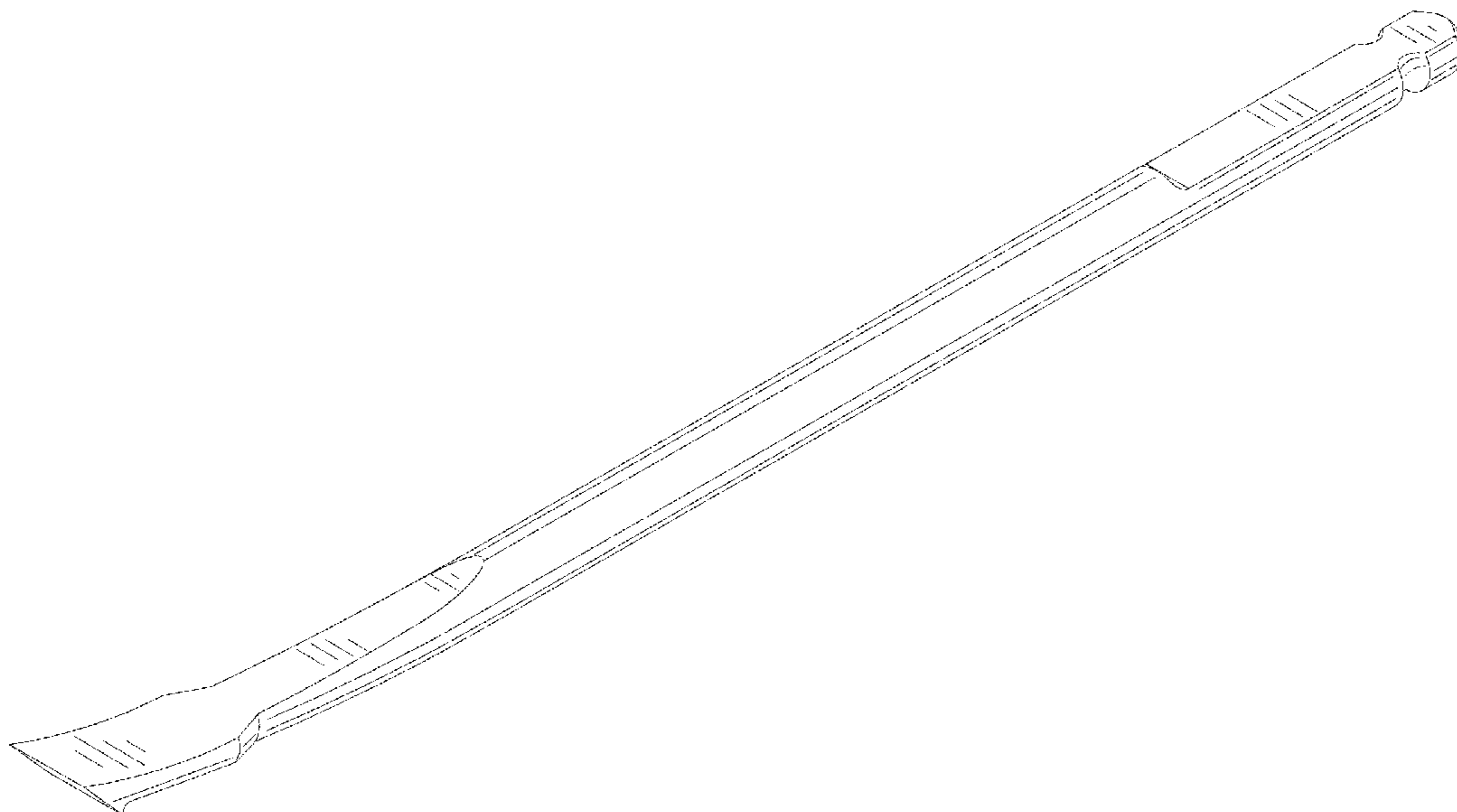
The ornamental design for a bone preparation tool, as shown and described.

DESCRIPTION

FIG. 1 is a top, left perspective view of a bone preparation tool in accordance with our new design;
FIG. 2 is a bottom, right perspective view thereof;
FIG. 3 is a top plan view thereof;
FIG. 4 is a bottom plan view thereof;
FIG. 5 is a left side elevation view thereof;
FIG. 6 is a right side elevation view thereof;
FIG. 7 is an enlarged front elevation view thereof; and,
FIG. 8 is an enlarged rear elevation view thereof.

1 Claim, 5 Drawing Sheets

(56) **References Cited**
U.S. PATENT DOCUMENTS
2,593,304 A 4/1952 Howard
2,674,794 A 4/1954 Baker
4,164,801 A 8/1979 Thomas
D279,514 S 7/1985 Grunz
5,953,820 A 9/1999 Vasudeva
6,006,396 A 12/1999 Hellinger
D422,125 S 3/2000 Sneed
6,035,536 A 3/2000 Dewberry
7,150,102 B2 12/2006 Gringer



(56)

References Cited

U.S. PATENT DOCUMENTS

2003/0110641 A1* 6/2003 Gringer A47L 13/022
30/169
2010/0162509 A1* 7/2010 Liao E04F 21/165
15/235.7
2014/0296630 A1 10/2014 Zwirkoski

* cited by examiner

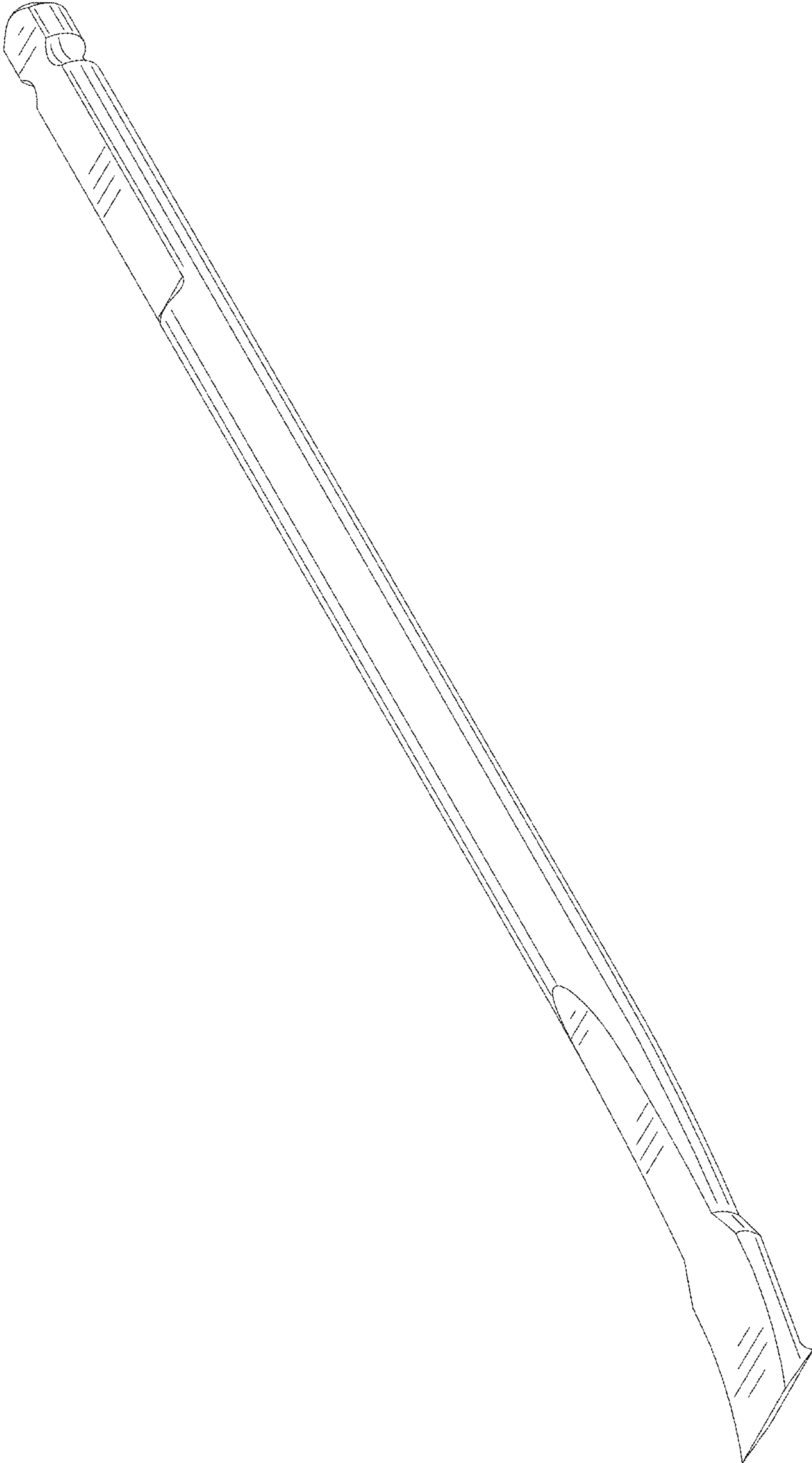


FIG. 1

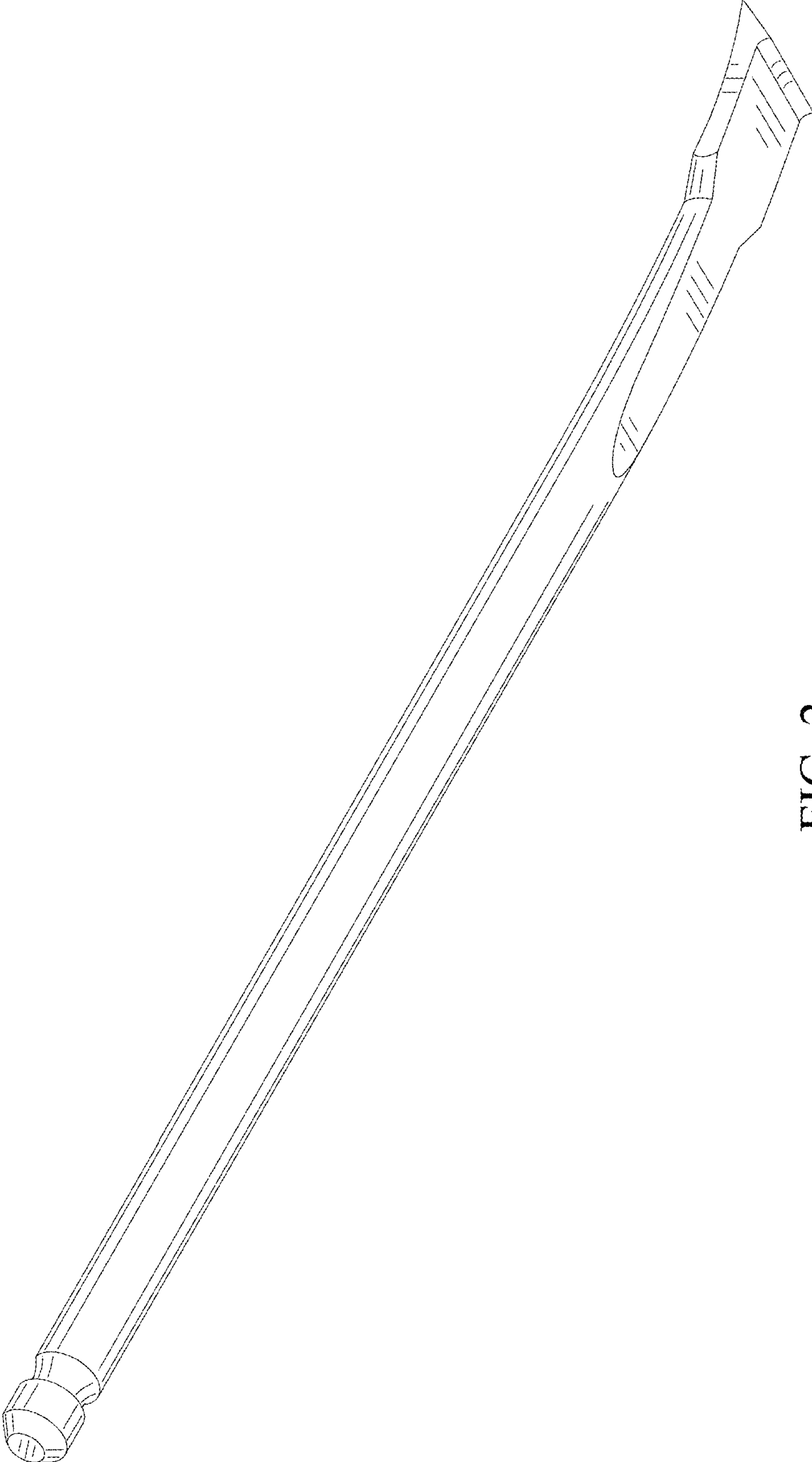


FIG. 2

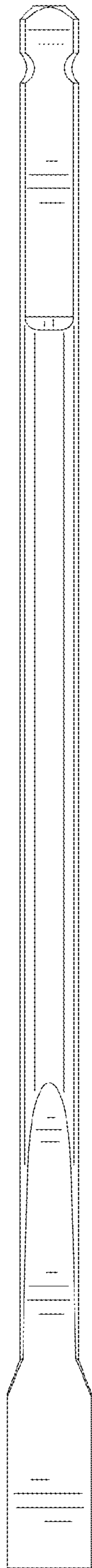


FIG. 3

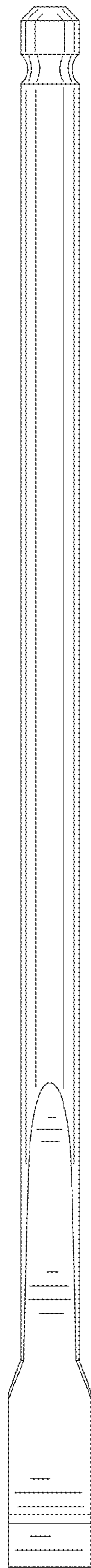


FIG. 4

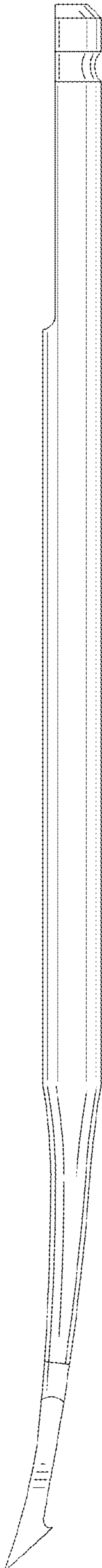


FIG. 5

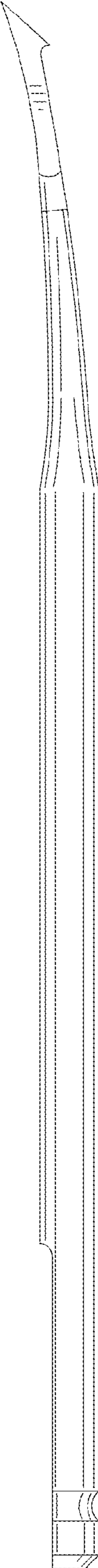


FIG. 6

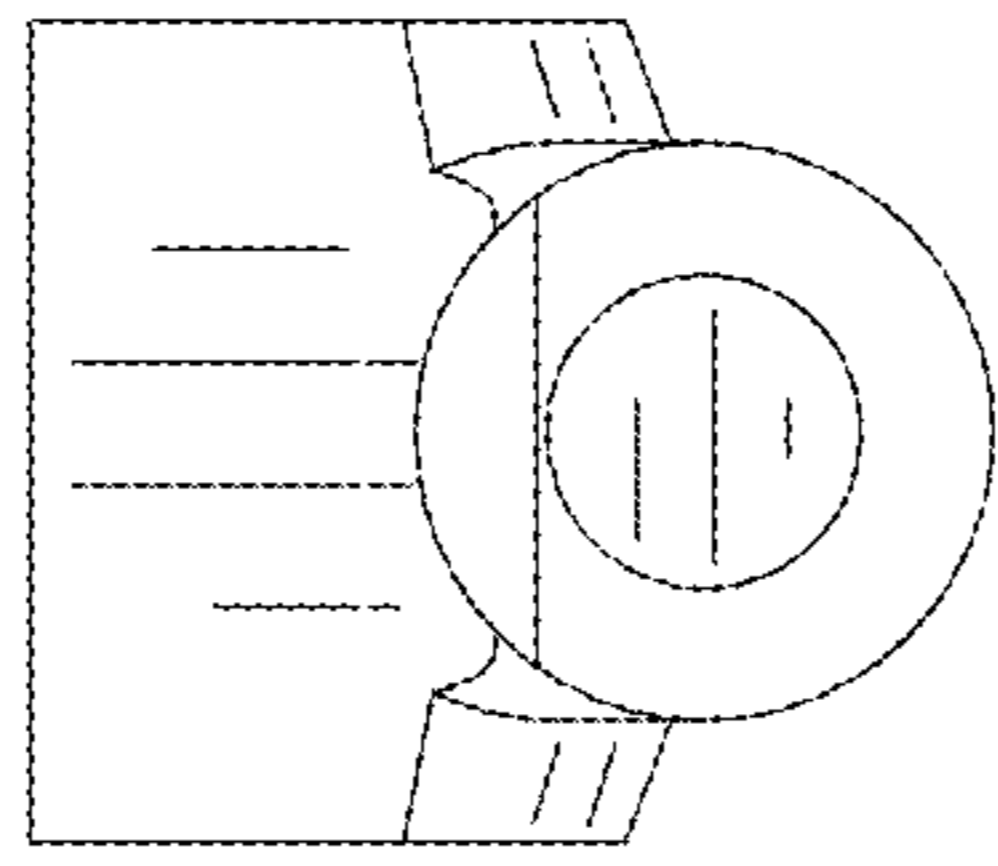


FIG. 8

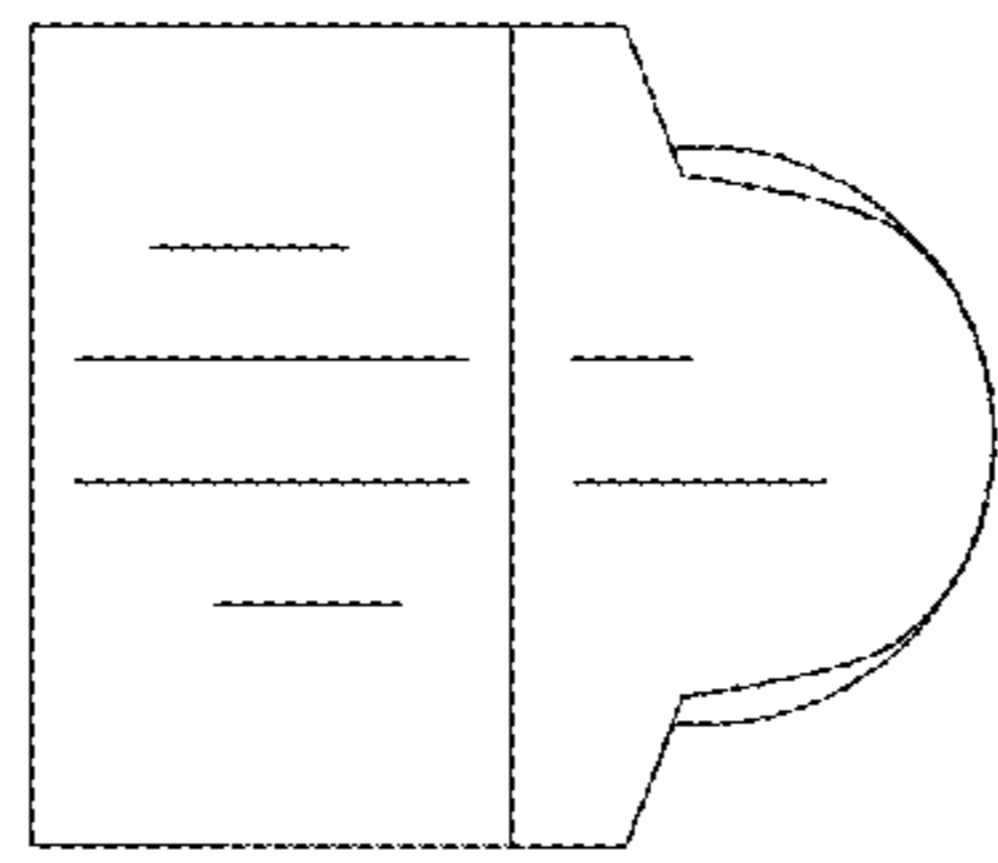


FIG. 7