



US00D898913S

(12) **United States Design Patent**  
**Harris et al.**

(10) **Patent No.:** **US D898,913 S**  
(45) **Date of Patent:** **\*\* Oct. 13, 2020**

(54) **STAPLE CARTRIDGE FOR A SURGICAL STAPLER**

(71) Applicant: **ETHICON LLC**, Guaynabo, PR (US)

(72) Inventors: **Jason L. Harris**, Lebanon, OH (US);  
**Gregory J. Bakos**, Mason, OH (US);  
**Frederick E. Shelton, IV**, Hillsboro, OH (US)

(73) Assignee: **Ehticon LLC**, Guaynabo, PR (US)

(\*\*) Term: **15 Years**

(21) Appl. No.: **29/668,915**

(22) Filed: **Nov. 2, 2018**

**Related U.S. Application Data**

(62) Division of application No. 29/594,332, filed on Feb. 17, 2017, now Pat. No. Des. 836,198.

(51) **LOC (12) Cl.** ..... **24-02**

(52) **U.S. Cl.**  
USPC ..... **D24/145**

(58) **Field of Classification Search**  
USPC ..... D24/145

(Continued)

(56) **References Cited**

**U.S. PATENT DOCUMENTS**

D297,764 S 9/1988 Hunt et al.

D337,640 S 7/1993 Olson

(Continued)

*Primary Examiner* — Wan Laymon

(74) *Attorney, Agent, or Firm* — Frost Brown Todd LLC

(57) **CLAIM**

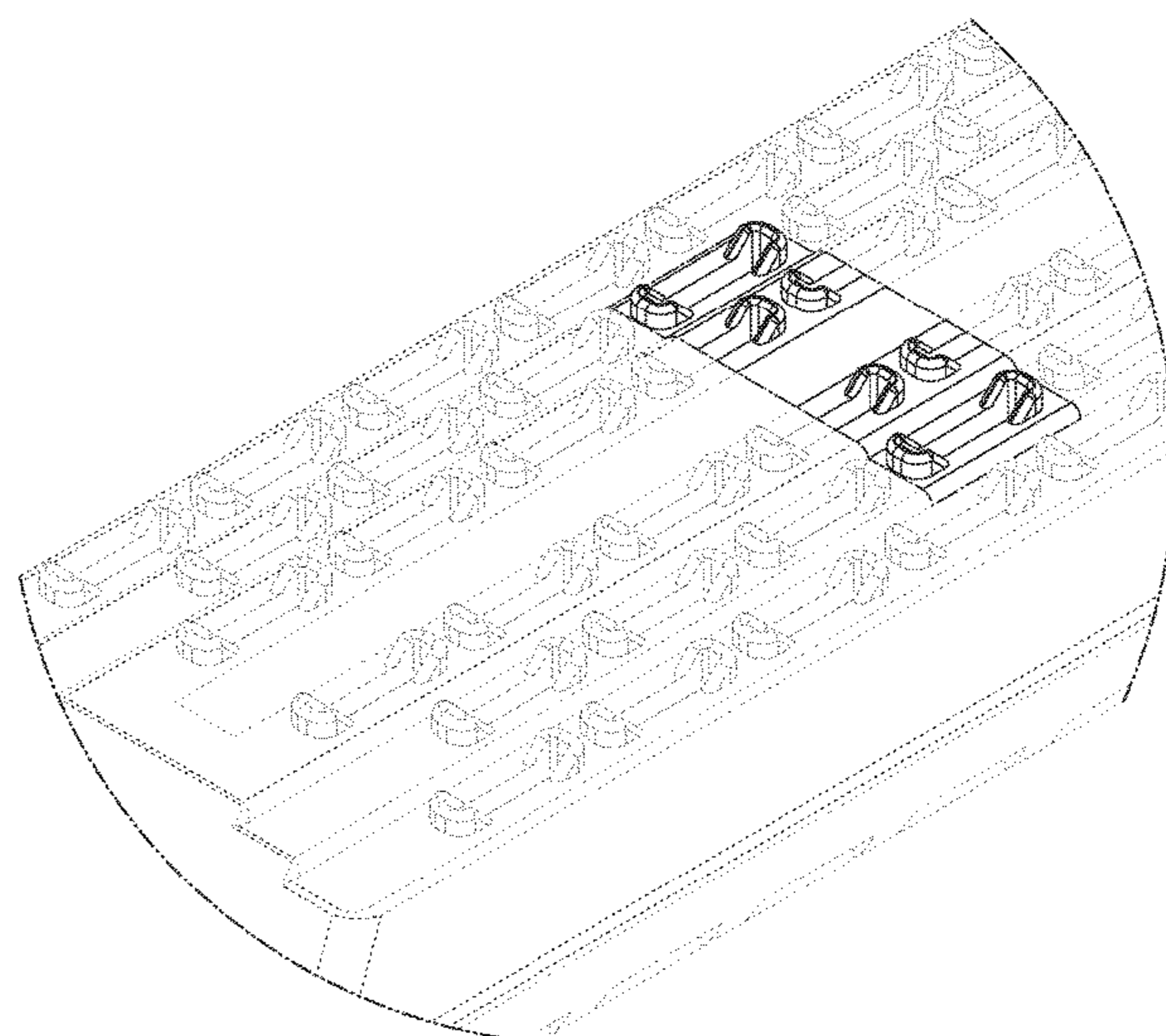
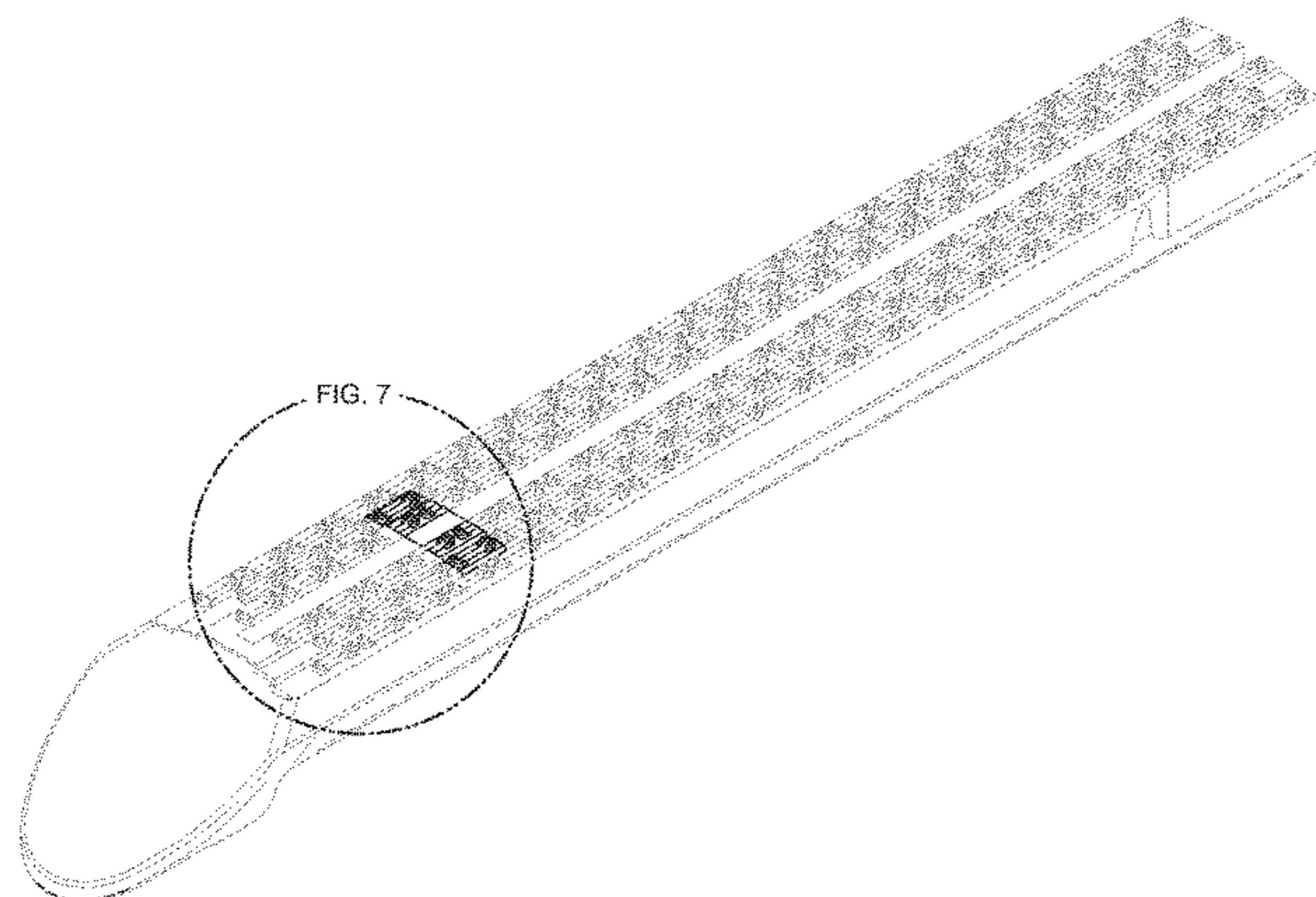
The ornamental design for a staple cartridge for a surgical stapler, as shown and described.

**DESCRIPTION**

FIG. 1 is a top perspective view of a staple cartridge for a surgical stapler, showing our new design;  
FIG. 2 is a side elevational view of the staple cartridge for a surgical stapler of FIG. 1, the opposite side elevation view being a mirror image thereof;  
FIG. 3 is a top plan view of the staple cartridge for a surgical stapler of FIG. 1;  
FIG. 4 is a bottom plan view of the staple cartridge for a surgical stapler of FIG. 1;  
FIG. 5 is a front elevational view of the staple cartridge for a surgical stapler of FIG. 1;  
FIG. 6 is a rear elevational view of the staple cartridge for a surgical stapler of FIG. 1;  
FIG. 7 is an enlarged top perspective view of a portion of the staple cartridge for a surgical stapler of FIG. 1, the portion being indicated by the broken line circle in FIG. 1;  
FIG. 8 is an enlarged top plan view of a portion of the staple cartridge for a surgical stapler of FIG. 1, the portion being indicated by the broken line circle in FIG. 3;  
FIG. 9 is an enlarged side elevational view of a portion of the staple cartridge for a surgical stapler of FIG. 1, the portion being indicated by the broken line circle in FIG. 2;  
FIG. 10 is a cross-sectional view of the staple cartridge for a surgical stapler of FIG. 1, taken along line 10-10 of FIG. 3; and,  
FIG. 11 is a cross-sectional view of the staple cartridge for a surgical stapler of FIG. 1, taken along line 11-11 of FIG. 3.

The evenly-spaced broken lines in the drawings are included for purpose of illustrating portions of the staple cartridge that form no part of the claimed design. The dot-dash-dot broken lines in the drawings are included for the purpose of defining the boundary of the claim, it being understood that the dot-dash-dot broken lines themselves form no part of the claimed design. The defined boundary represents a repeatable unit of the claimed design. The dash-dot-dot-dash broken lines in the drawings are included for the purpose of illustrating the portions of the stapler cartridge shown in the enlarged views.

**1 Claim, 10 Drawing Sheets**



# US D898,913 S

Page 2

(58) **Field of Classification Search**

CPC . A61B 17/105; A61B 17/068; A61B 17/0682;  
A61B 17/064; A61B 17/072; A61B  
17/07207; A61B 2017/07271; A61B  
2017/07278; A61B 2017/07228; A61B  
2017/07235; A61B 2017/07242; A61B  
2017/07285; A61B 2017/07292

See application file for complete search history.

(56)

**References Cited**

U.S. PATENT DOCUMENTS

7,398,907 B2 7/2008 Racenet et al.  
7,641,091 B2 1/2010 Olson et al.  
8,127,976 B2 3/2012 Scirica et al.  
8,684,249 B2 4/2014 Racenet et al.  
9,131,940 B2\* 9/2015 Huitema ..... A61B 17/07207  
9,877,721 B2 1/2018 Schellin et al.

D836,198 S 12/2018 Harris et al.  
D836,199 S \* 12/2018 Schowalter ..... A61B 17/07207  
D24/145  
D869,655 S \* 12/2019 Shelton, IV ..... D24/145  
10,568,625 B2\* 2/2020 Harris ..... A61B 17/07207  
10,568,626 B2\* 2/2020 Shelton, IV ..... A61B 17/07207  
2012/0074198 A1\* 3/2012 Huitema ..... A61B 17/07207  
227/176.1  
2015/0297222 A1 10/2015 Huitema et al.  
2016/0106427 A1 4/2016 Shelton, IV et al.  
2017/0056002 A1 3/2017 Nalagatla et al.  
2017/0095253 A1 4/2017 Aranyi et al.  
2017/0119388 A1\* 5/2017 Kostrzewski ..... A61B 17/105  
2017/0303925 A1 10/2017 Scheib et al.  
2017/0367695 A1 12/2017 Shelton, IV et al.  
2017/0367697 A1 12/2017 Shelton, IV et al.  
2017/0367699 A1\* 12/2017 Shelton, IV ..... A61B 17/064  
2018/0168637 A1\* 6/2018 Harris ..... A61B 17/07207  
2019/0059886 A1\* 2/2019 Shelton, IV ..... A61B 17/07207

\* cited by examiner

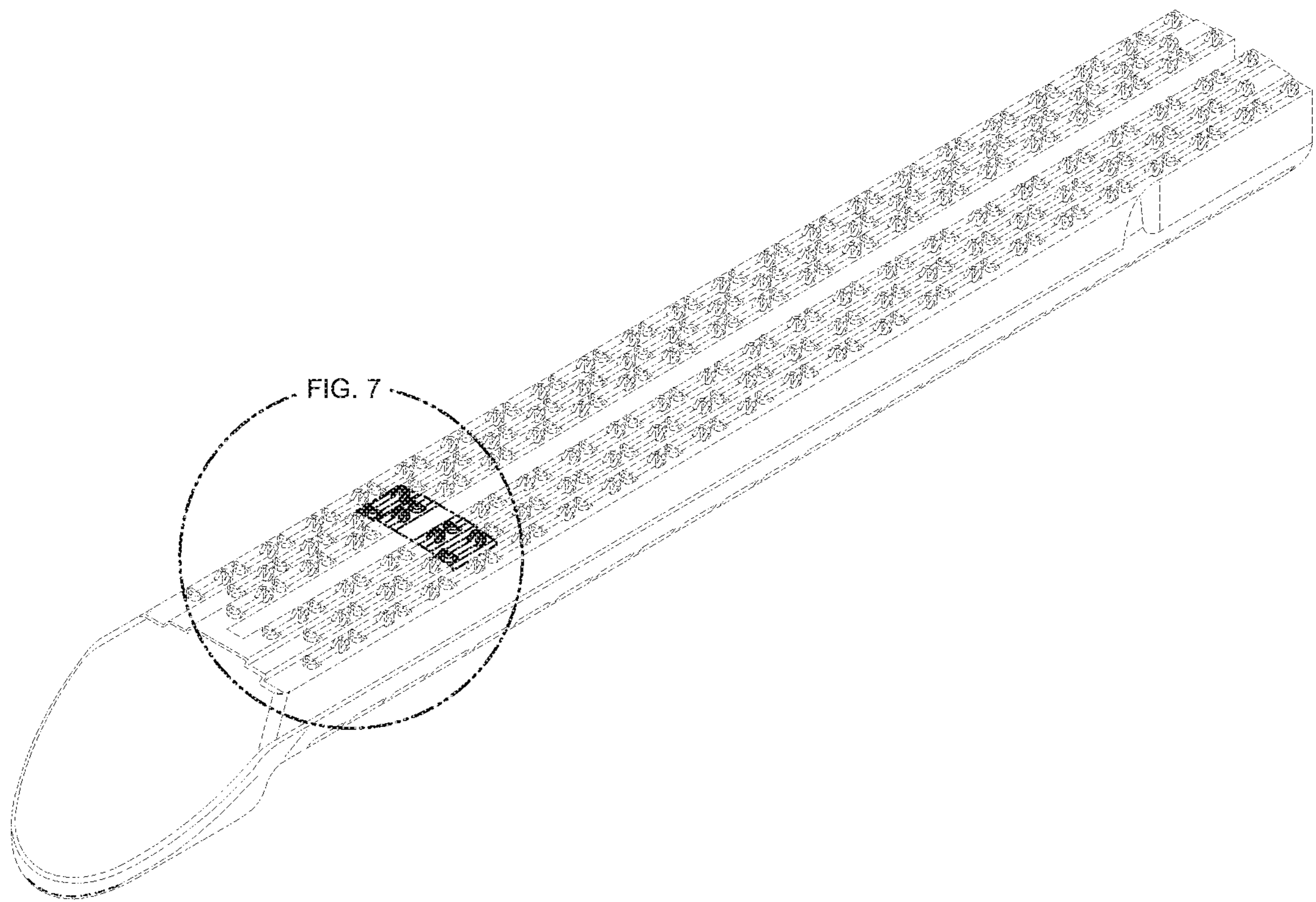


FIG. 1

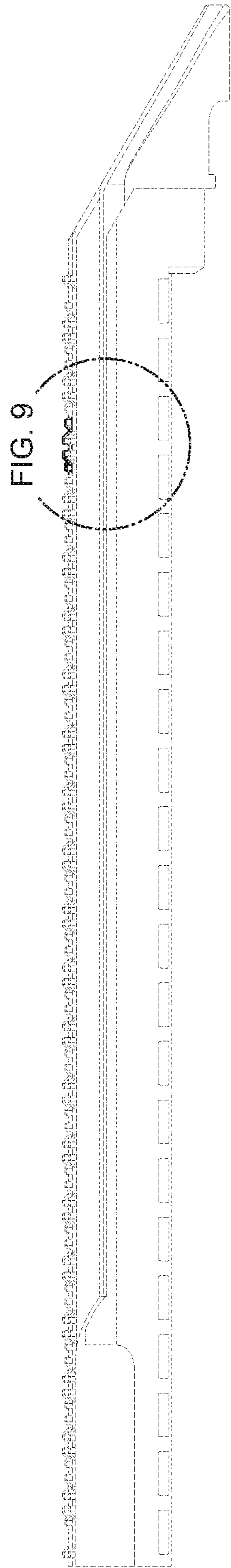


FIG. 2

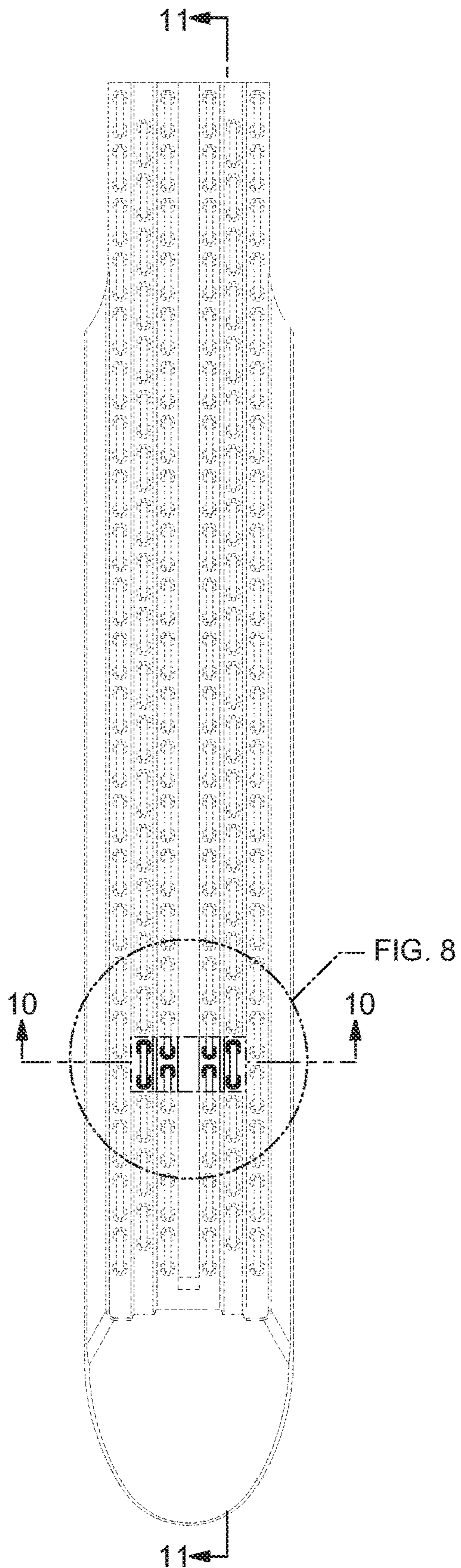


FIG. 3

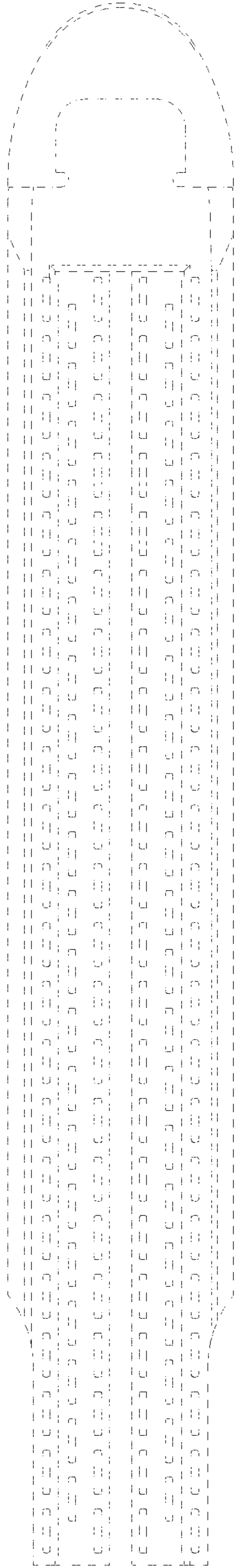


FIG. 4

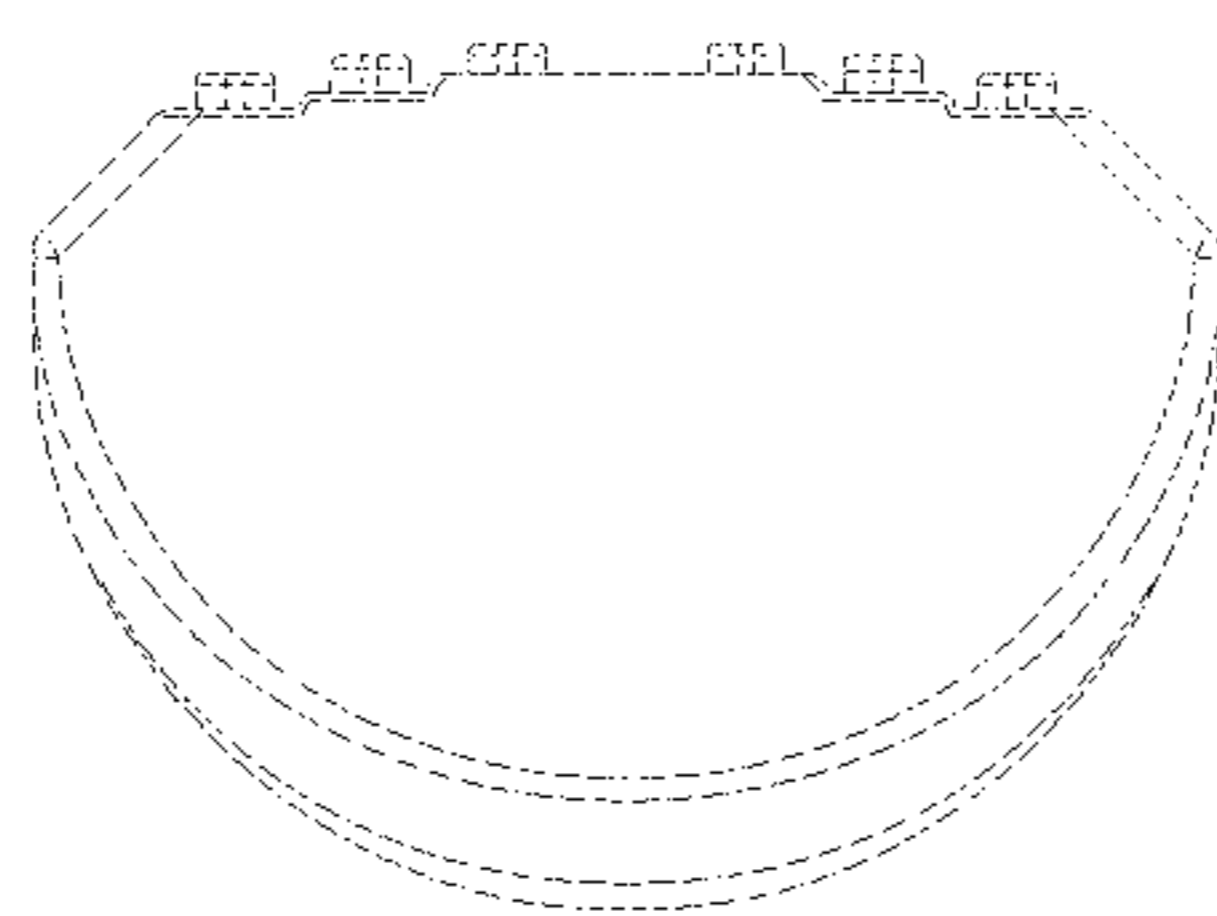


FIG. 5

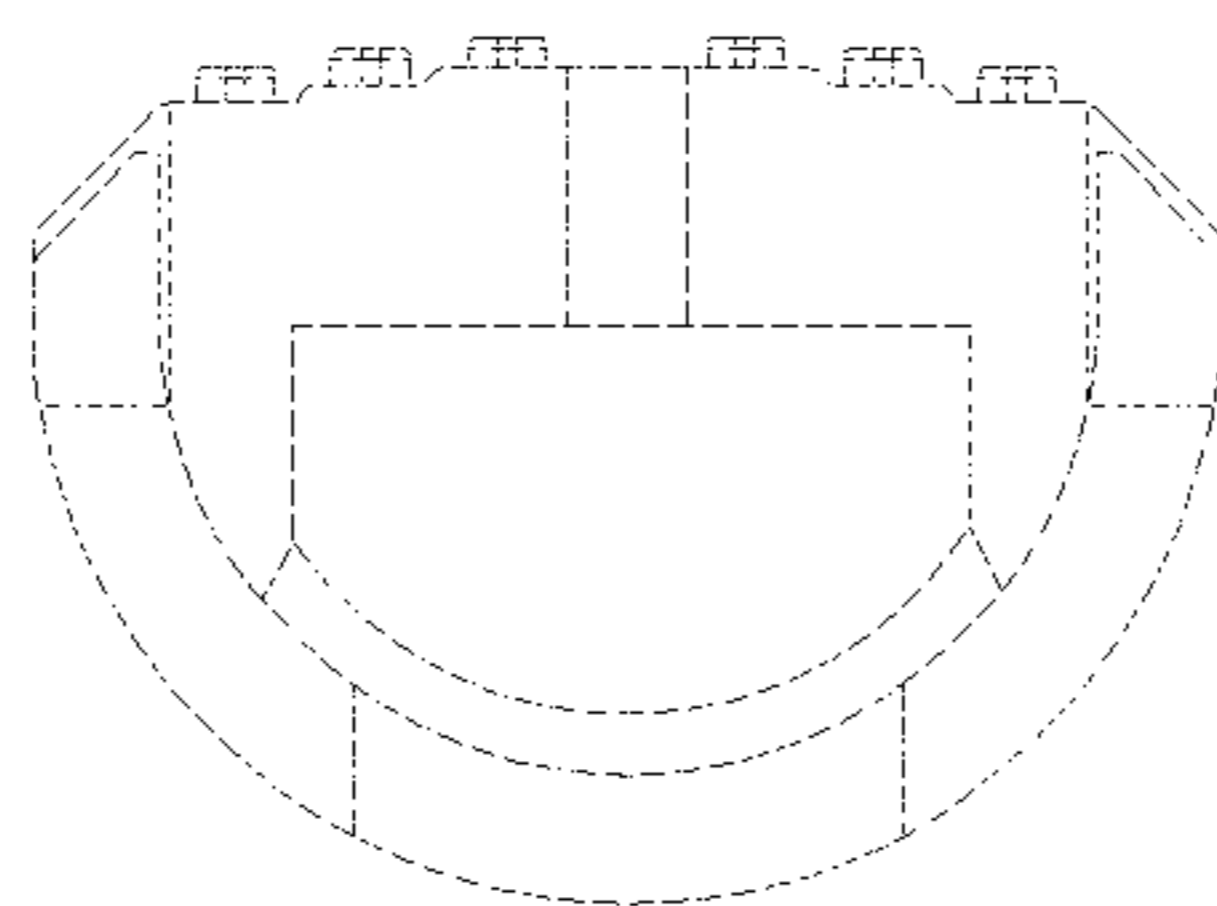


FIG. 6

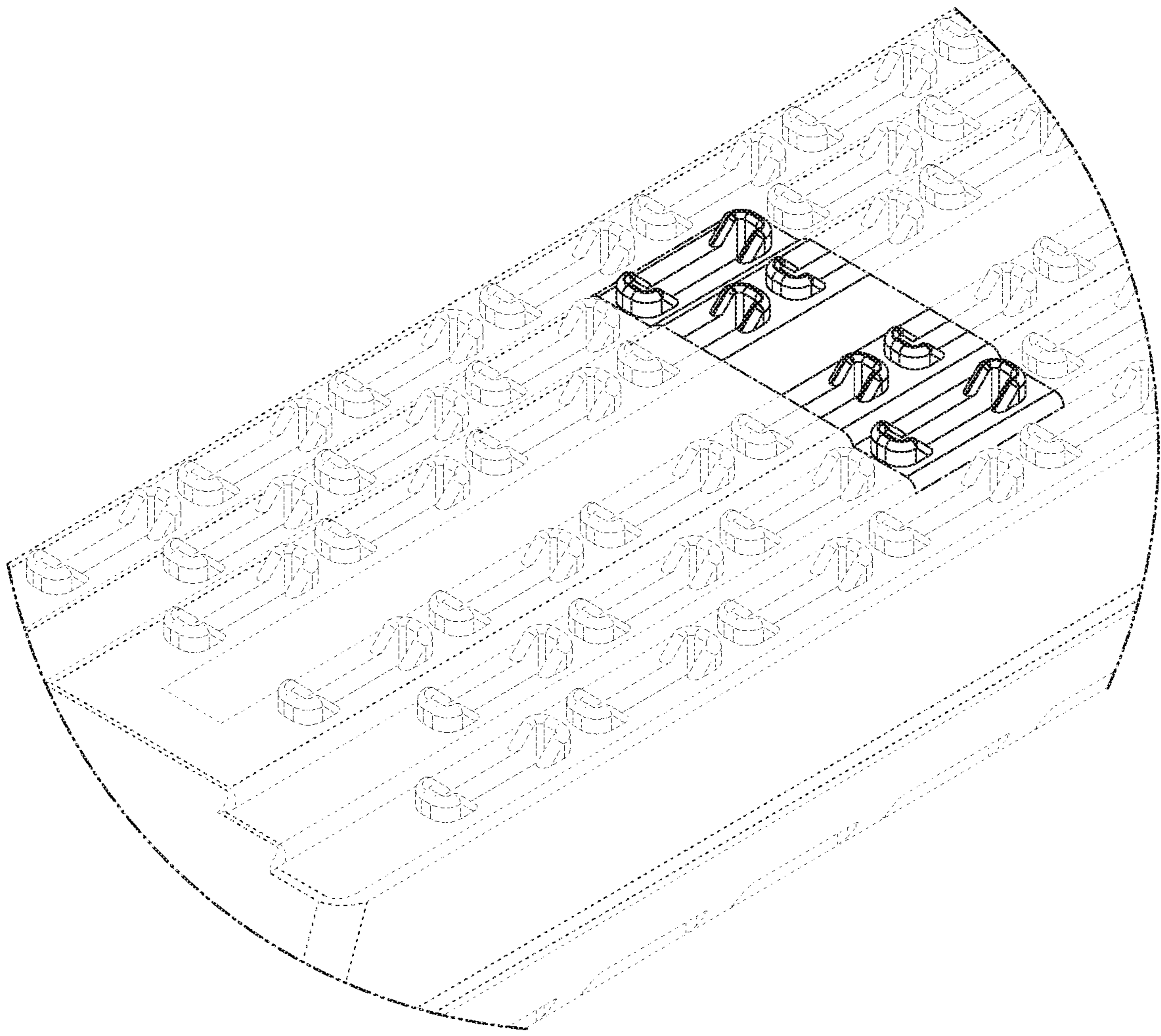


FIG. 7



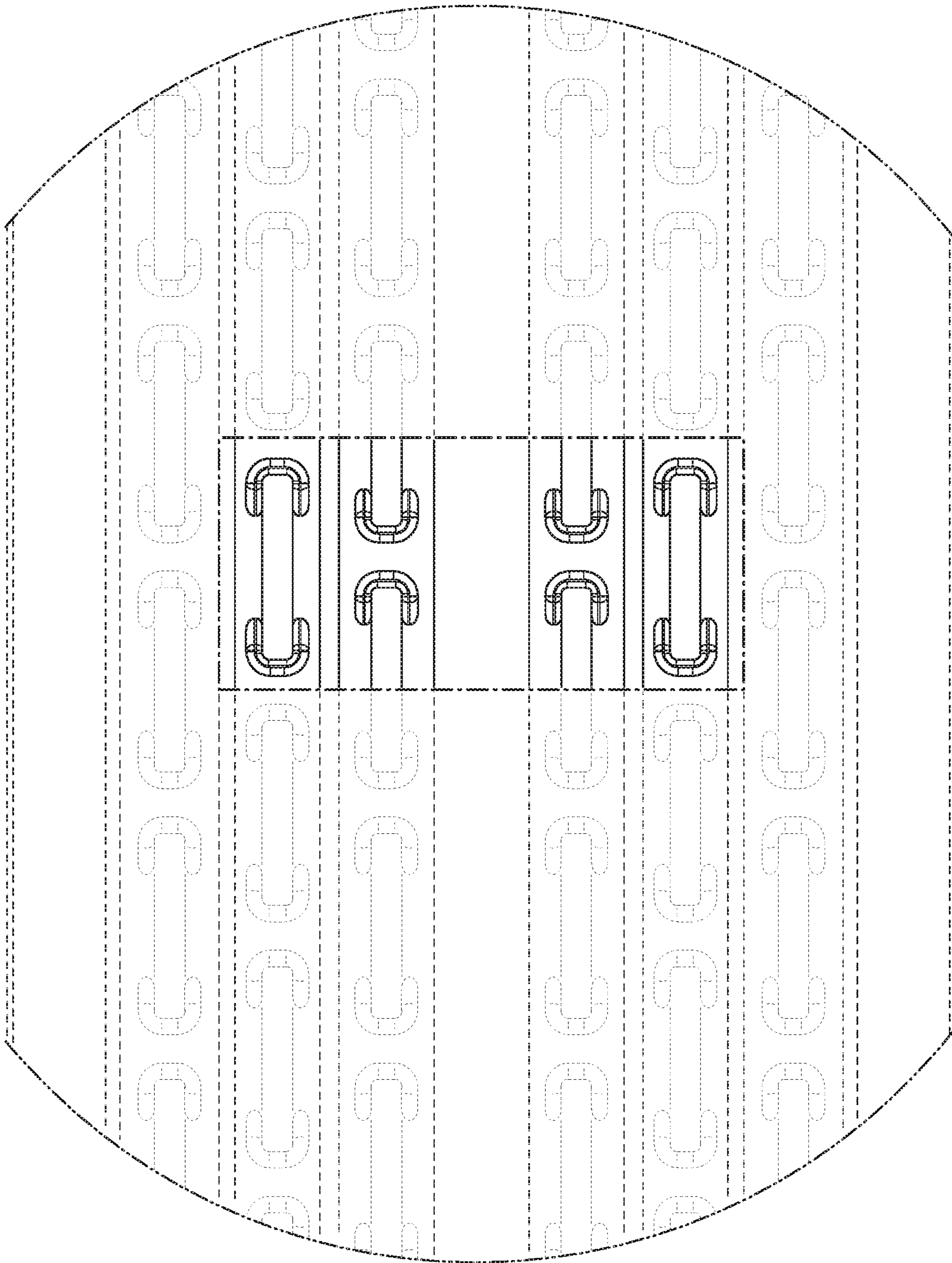


FIG. 8

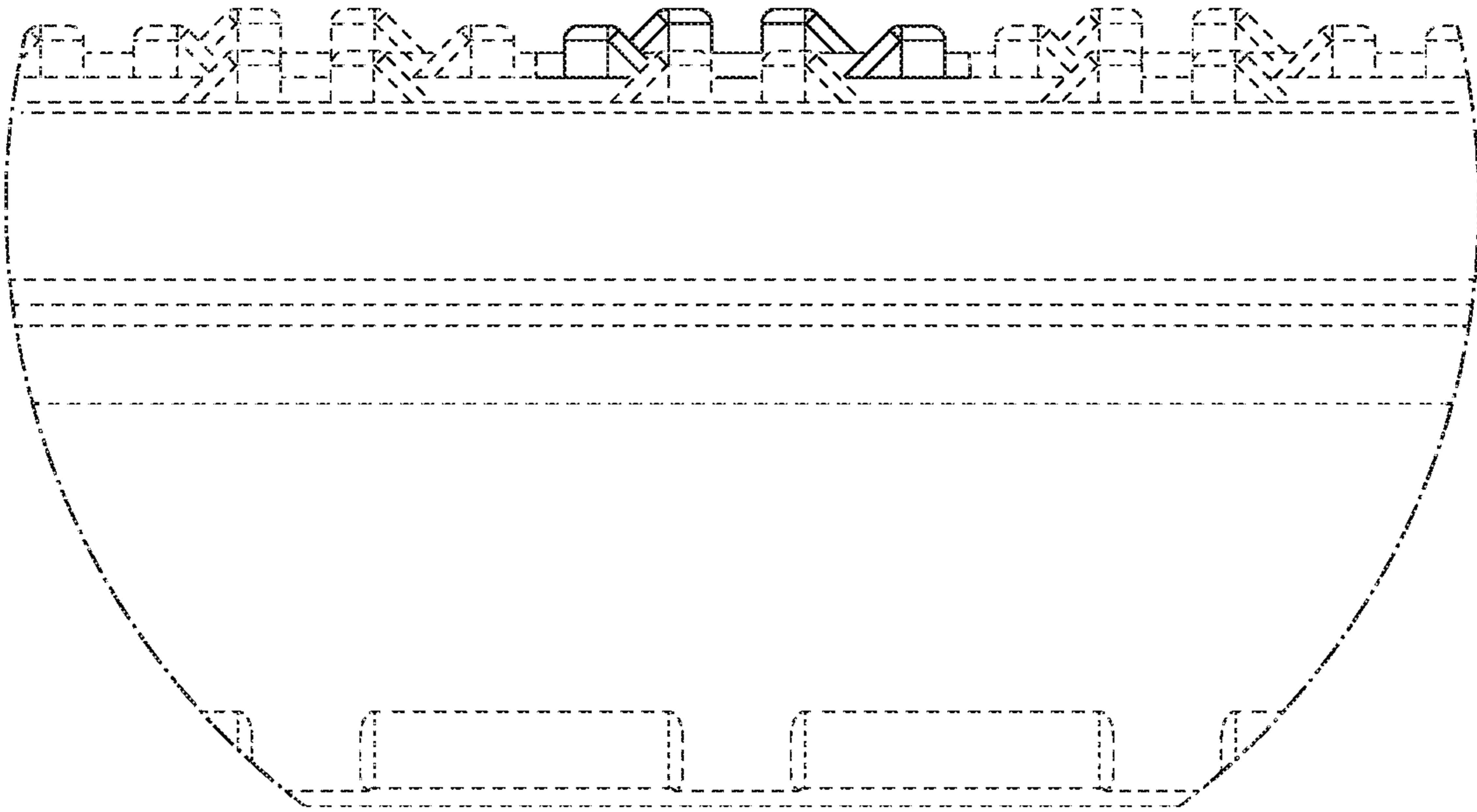


FIG. 9

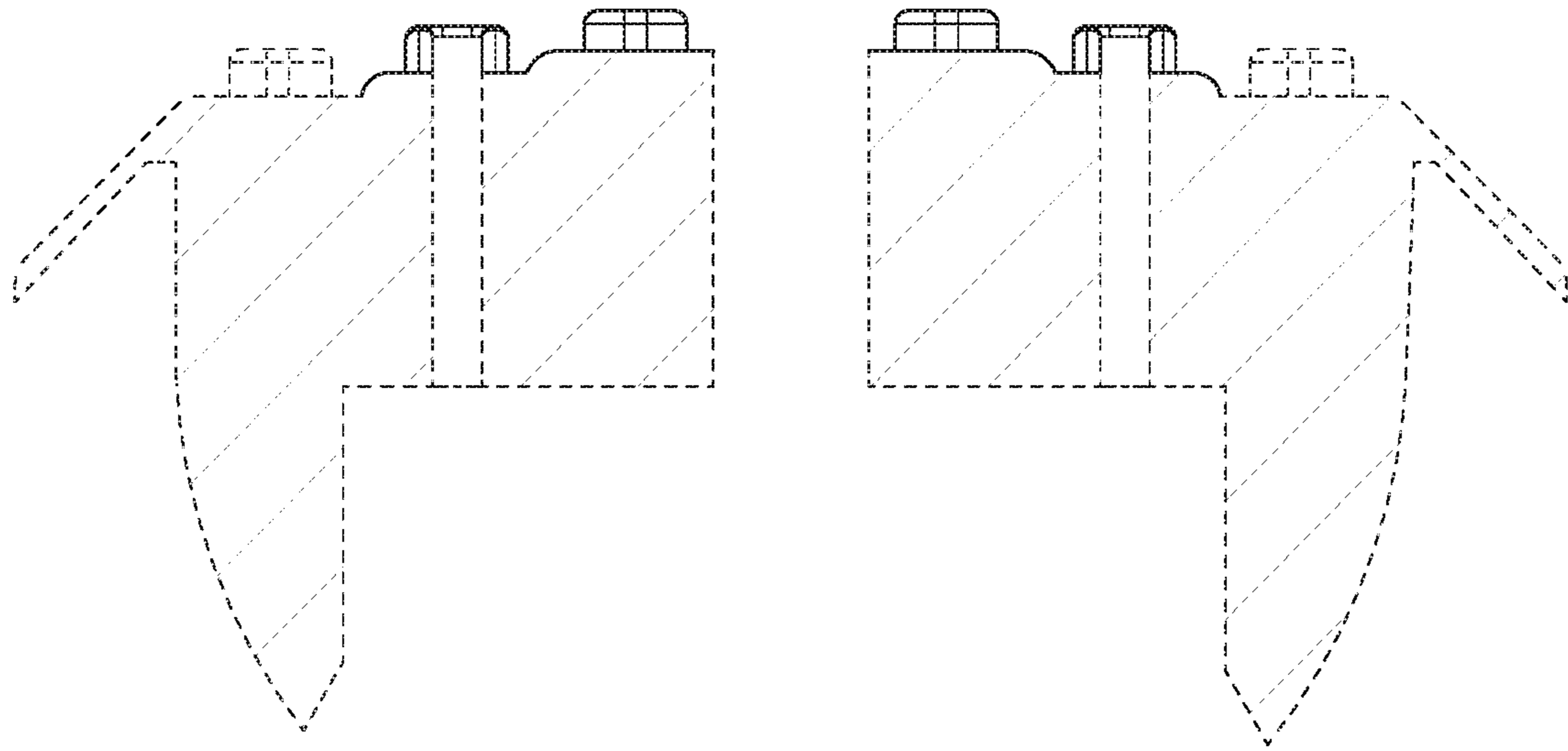


FIG. 10

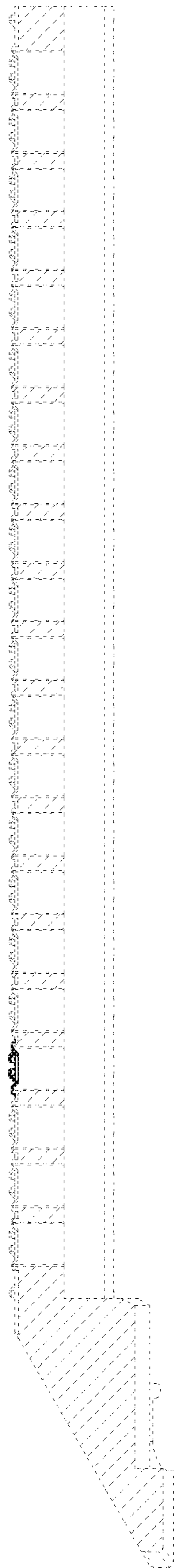


FIG. 11

UNITED STATES PATENT AND TRADEMARK OFFICE  
**CERTIFICATE OF CORRECTION**

PATENT NO. : D898,913 S  
APPLICATION NO. : 29/668915  
DATED : October 13, 2020  
INVENTOR(S) : Jason L. Harris et al.

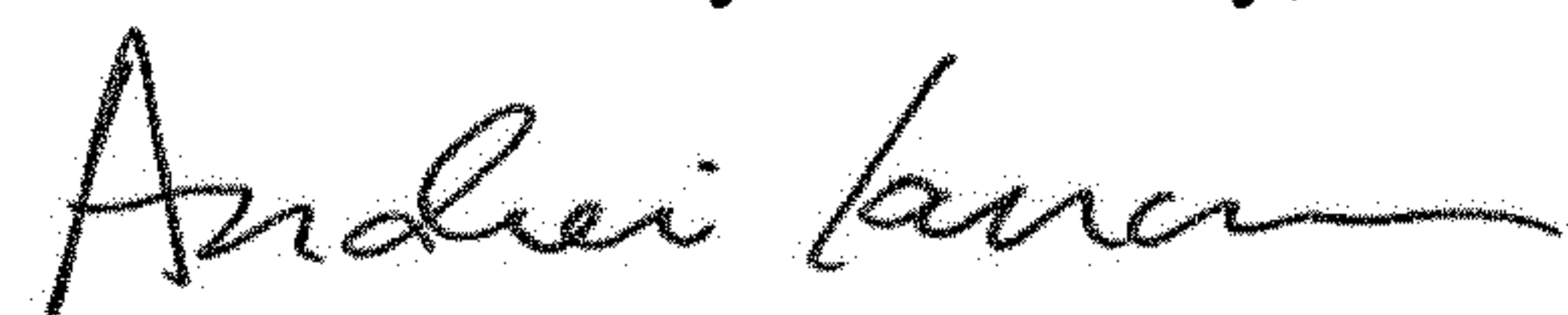
Page 1 of 1

It is certified that error appears in the above-identified patent and that said Letters Patent is hereby corrected as shown below:

On the Title Page

Item (73), Line 8, reads "...Ehticon LLC, Guaynabo, PR (US)"; which should be deleted and replaced with "...Ethicon LLC, Guaynabo, PR (US)"

Signed and Sealed this  
Nineteenth Day of January, 2021



Andrei Iancu  
*Director of the United States Patent and Trademark Office*