



US00D898911S

(12) **United States Design Patent** (10) **Patent No.:** **US D898,911 S**  
**Beer et al.** (45) **Date of Patent:** **\*\* Oct. 13, 2020**

(54) **INTRAVAGINAL DEVICE ASSEMBLY**

(71) Applicant: **Renovia Inc.**, Boston, MA (US)

(72) Inventors: **Marc D. Beer**, Sudbury, MA (US);  
**Jose Bohorquez**, Boston, MA (US);  
**Samantha J. Pulliam**, Boston, MA (US);  
**Jessica L. McKinney**, Boston, MA (US)

(73) Assignee: **Renovia Inc.**, Boston, MA (US)

(\*\*) Term: **15 Years**

(21) Appl. No.: **29/686,273**

(22) Filed: **Apr. 3, 2019**

(51) **LOC (12) Cl.** ..... **24-02**

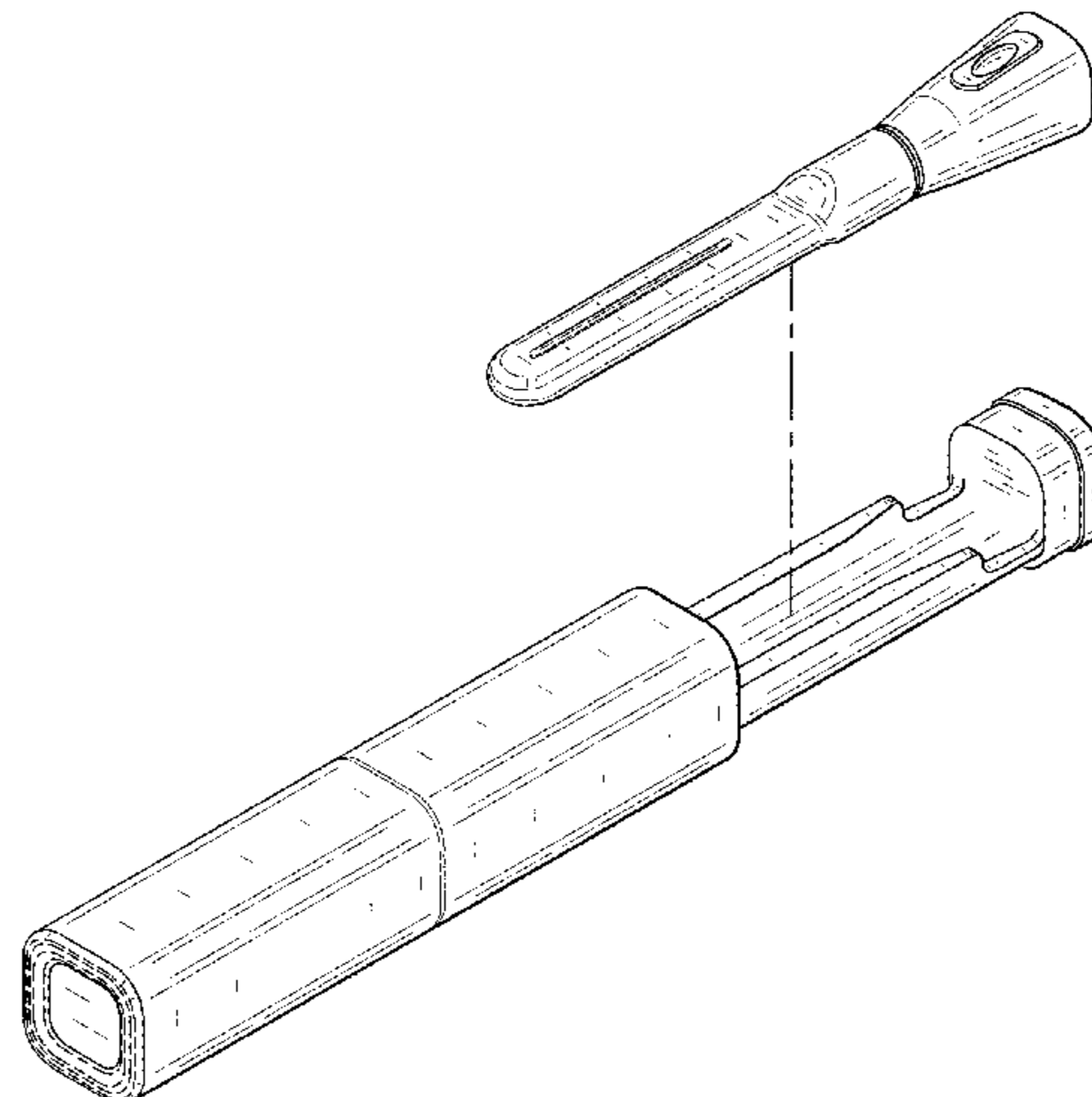
(52) **U.S. Cl.**  
USPC ..... **D24/141**

(58) **Field of Classification Search**  
USPC ..... D24/128, 135, 140, 121, 143, 152, 200,  
D24/214, 215; 600/29, 30; D16/237,  
D16/250; D28/4, 76, 83; D9/430, 432  
CPC ..... A61B 1/31; A61B 1/272; A61B 1/303;  
A61B 1/00154; A61B 17/00; A61B  
17/17; A61B 8/00; A61B 8/12; A61F  
6/00; A61F 6/06; A61F 6/18; A61F 6/20;  
A61F 6/142; A61C 5/82; G03B 42/042  
See application file for complete search history.

6,021,781 A	2/2000	Thompson et al.
6,039,701 A	3/2000	Sliwa et al.
6,056,699 A	5/2000	Sohn et al.
6,086,549 A	7/2000	Neese et al.
6,264,582 B1	7/2001	Remes
6,272,371 B1	8/2001	Shlomo
6,511,427 B1	1/2003	Sliwa, Jr. et al.
6,672,996 B2	1/2004	Ross et al.
6,679,854 B2	1/2004	Honda et al.
6,816,744 B2	11/2004	Garfield et al.
7,079,882 B1	7/2006	Schmidt
7,577,476 B2	8/2009	Hochman et al.
7,608,037 B2	10/2009	Levy
7,628,744 B2	12/2009	Hoffman et al.
7,645,220 B2	1/2010	Hoffman et al.
7,837,682 B2	11/2010	Ostrovsky et al.
7,955,241 B2	6/2011	Hoffman et al.
7,957,794 B2	6/2011	Hochman et al.
8,147,429 B2	4/2012	Mittal et al.
8,360,954 B2	1/2013	Kim
8,623,004 B2	1/2014	Johnson et al.
8,715,204 B2	5/2014	Webster et al.
8,728,140 B2	5/2014	Feemster et al.
8,805,472 B2	8/2014	Iglesias
8,821,407 B2 *	9/2014	Kirsner ..... A61B 10/0012 600/551
8,914,111 B2	12/2014	Haessler
8,983,627 B2	3/2015	Pelger et al.
9,155,885 B2	10/2015	Wei et al.
9,248,285 B2	2/2016	Haessler
9,381,351 B2	7/2016	Haessler
9,408,685 B2 *	8/2016	Hou ..... A61F 2/005
9,656,067 B2	5/2017	Pelger et al.
9,861,316 B2	1/2018	Egorov
D853,035 S *	7/2019	Moretti ..... D28/76
2001/0047132 A1	11/2001	Johnson et al.
2002/0111586 A1	8/2002	Mosel et al.
2003/0028180 A1	2/2003	Franco
2004/0236223 A1	11/2004	Barnes et al.
2004/0260207 A1	12/2004	Eini et al.
2005/0148447 A1	7/2005	Nady
2006/0036188 A1	2/2006	Hoffman et al.
2006/0074289 A1	4/2006	Adler et al.
2006/0084848 A1	4/2006	Mitchnick
2007/0066880 A1	3/2007	Lee et al.
2007/0232882 A1	10/2007	Glossop et al.
2007/0255090 A1	11/2007	Addington et al.
2007/0265675 A1	11/2007	Lund et al.
2007/0270686 A1	11/2007	Ritter et al.
2008/0077053 A1	3/2008	Epstein et al.
2008/0139876 A1	6/2008	Kim
2008/0146941 A1	6/2008	Dala-Krishna
2008/0149109 A1	6/2008	Ziv

(56) **References Cited**  
**U.S. PATENT DOCUMENTS**

2,830,582 A	4/1958	Ljung
3,854,476 A *	12/1974	Dickinson, III ..... A61D 1/06 128/884
4,669,478 A	6/1987	Robertson
D310,275 S *	8/1990	Su ..... D28/76
5,328,077 A	7/1994	Lou
5,406,961 A	4/1995	Artal
5,562,717 A	10/1996	Tippey et al.
5,603,685 A	2/1997	Tutrone, Jr.
5,674,238 A	10/1997	Sample et al.
5,924,984 A	7/1999	Rao
6,001,060 A	12/1999	Churchill et al.



2008/0154131	A1	6/2008	Lee et al.	
2008/0171950	A1	7/2008	Franco	
2009/0149740	A1	6/2009	Hoheisel	
2009/0270963	A1	10/2009	Pelger et al.	
2009/0306509	A1	12/2009	Pedersen et al.	
2010/0174218	A1	7/2010	Shim	
2010/0249576	A1	9/2010	Askarinya et al.	
2010/0262049	A1	10/2010	Novak et al.	
2011/0054357	A1	3/2011	Egorov et al.	
2011/0077500	A1	3/2011	Shakiba	
2011/0190580	A1	8/2011	Bennett et al.	
2011/0190595	A1	8/2011	Bennett et al.	
2011/0196263	A1	8/2011	Egorov et al.	
2012/0016258	A1	1/2012	Webster et al.	
2012/0265044	A1	10/2012	Broens	
2012/0265049	A1	10/2012	Iglesias	
2013/0035611	A1*	2/2013	White .....	A61B 5/0055 600/591
2013/0053627	A1	2/2013	Bercovich et al.	
2013/0144191	A1	6/2013	Egorov et al.	
2013/0184567	A1	7/2013	Xie et al.	
2013/0192606	A1	8/2013	Ziv et al.	
2013/0237771	A1	9/2013	Runkewitz et al.	
2013/0324380	A1	12/2013	Horsley	
2014/0066813	A1*	3/2014	Daly .....	A63B 23/20 600/591
2014/0073879	A1	3/2014	Cantor et al.	
2014/0088471	A1	3/2014	Leivseth et al.	
2014/0155225	A1	6/2014	Sedic	
2014/0213927	A1	7/2014	Webster et al.	
2014/0296705	A1	10/2014	Iglesias	
2014/0309550	A1	10/2014	Iglesias	
2015/0032030	A1	1/2015	Iglesias	
2015/0112230	A1	4/2015	Iglesias	
2015/0112231	A1	4/2015	Iglesias	
2015/0133832	A1	5/2015	Courtion et al.	
2015/0196802	A1	7/2015	Siegel	
2015/0282763	A1	10/2015	Rosenshein	
2016/0008664	A1	1/2016	Siegel	
2016/0074276	A1	3/2016	Scheuring et al.	
2016/0121105	A1	5/2016	Lee et al.	
2016/0346610	A1	12/2016	Iglesias et al.	
2017/0281072	A1	10/2017	Iglesias	
2017/0281299	A1	10/2017	Iglesias	
2017/0291012	A1	10/2017	Iglesias	
2017/0303843	A1	10/2017	Iglesias	
2017/0332959	A1*	11/2017	Bartlett .....	A61H 19/44
2019/0160332	A1	5/2019	Beer et al.	

FOREIGN PATENT DOCUMENTS

CA	2625428	A1	7/2007
CN	204839545	U	12/2015
DE	10345282	B3	4/2005
DE	202018103016	U1	6/2018
EP	0268972	A2	6/1988
EP	2689724	A1	1/2014
GB	2492754	A	1/2013
JP	2009-538176	A	11/2009
JP	2011-183167	A	9/2011
WO	WO-96/05768	A1	2/1996
WO	WO-99/05963	A1	2/1999
WO	WO-00/09013	A1	2/2000
WO	WO-00/23030	A1	4/2000
WO	WO-01/37732	A1	5/2001
WO	WO-2006/107930	A2	10/2006
WO	WO-2007/136266	A1	11/2007
WO	WO-2010/131252	A2	11/2010
WO	WO-2011/050252	A1	4/2011
WO	WO-2011/121591	A2	10/2011
WO	WO-2011/159906	A2	12/2011
WO	WO-2012/079127	A1	6/2012
WO	WO-2012/138232	A1	10/2012
WO	WO-2013/082006	A1	6/2013
WO	WO-2013/116310	A1	8/2013
WO	WO-2015/103629	A1	7/2015
WO	WO-2016/026914	A2	2/2016
WO	WO-2016/042310	A1	3/2016

WO	WO-2016/067023	A1	5/2016
WO	WO-2018/023037	A1	2/2018
WO	WO-2019/084468	A1	5/2019
WO	WO-2019/084469	A1	5/2019

OTHER PUBLICATIONS

Rosenblatt et al., "Evaluation of an accelerometer-based digital health system for the treatment of female urinary incontinence: A pilot study," *NeuroUrol Urodyn.* 38(7): 1944-1952 (2019).  
 Rosenblatt et al., "Interactive Pelvic Floor Muscle Training for Female Urinary Incontinence," *Renovia, Inc.*, retrieved Apr. 30, 2019 from <<https://renoviainc.com/wp-content/uploads/2018/04/REN005.01-White-Paper-12Apr18-FINAL.pdf>> (2018) (6 pages).

\* cited by examiner

*Primary Examiner* — Wan Laymon  
*Assistant Examiner* — Clint A Samuel  
 (74) *Attorney, Agent, or Firm* — Clark & Elbing LLP

(57) **CLAIM**

The ornamental design for an intravaginal device assembly, substantially as shown and described.

**DESCRIPTION**

FIG. 1 is a front and left side perspective view of an intravaginal device assembly, with the intravaginal device removed from the case for ease of illustration, embodying the claimed design.  
 FIG. 2 is an enlarged front view of the intravaginal device of FIG. 1.  
 FIG. 3 is an enlarged rear view of the intravaginal device of FIG. 1.  
 FIG. 4 is a top view of the intravaginal device of FIG. 1.  
 FIG. 5 is a bottom view of the intravaginal device of FIG. 1.  
 FIG. 6 is a right side view of the intravaginal device of FIG. 1.  
 FIG. 7 is a left side view of the intravaginal device of FIG. 1.  
 FIG. 8 is a front and left side perspective view of a case, in the closed position, containing the intravaginal device shown in FIG. 1.  
 FIG. 9 is an exploded view of the case and intravaginal device of FIG. 8.  
 FIG. 10 is a front and left side perspective view of a partially opened case containing the intravaginal device shown in FIG. 1.  
 FIG. 11 is an enlarged front view of the case containing the intravaginal device shown in FIG. 8.  
 FIG. 12 is an enlarged rear view of the case containing the intravaginal device shown in FIG. 8.  
 FIG. 13 is a right side view of the case and intravaginal device shown in FIG. 10.  
 FIG. 14 is a left side view of the case and intravaginal device shown in FIG. 10.  
 FIG. 15 is a top view of the case and intravaginal device shown in FIG. 10; and,  
 FIG. 16 is a bottom view of the case and intravaginal device shown in FIG. 10.  
 The broken lines show portions of the intravaginal device assembly that form no part of the claimed design.

FIG. 1

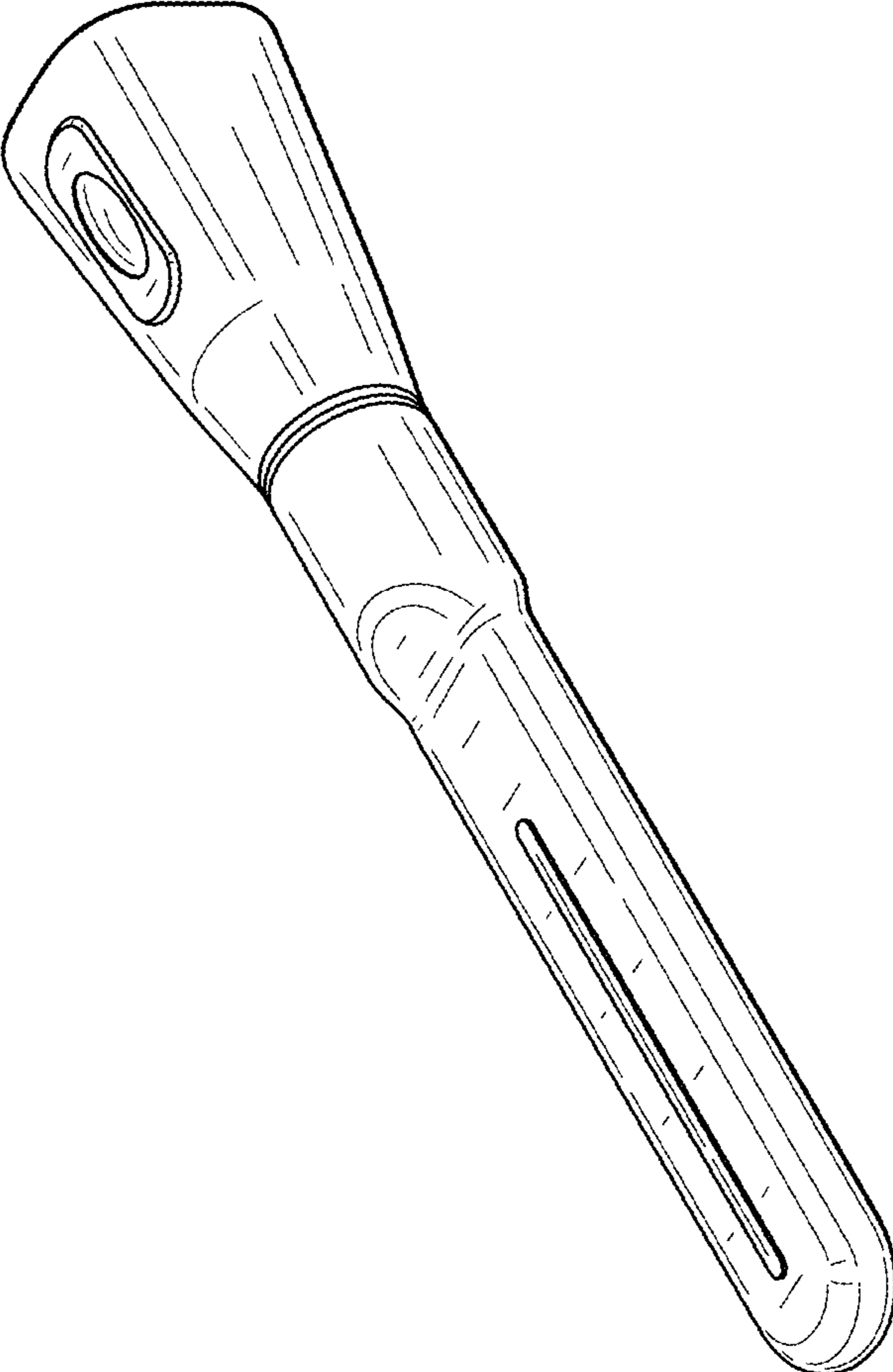


FIG. 2

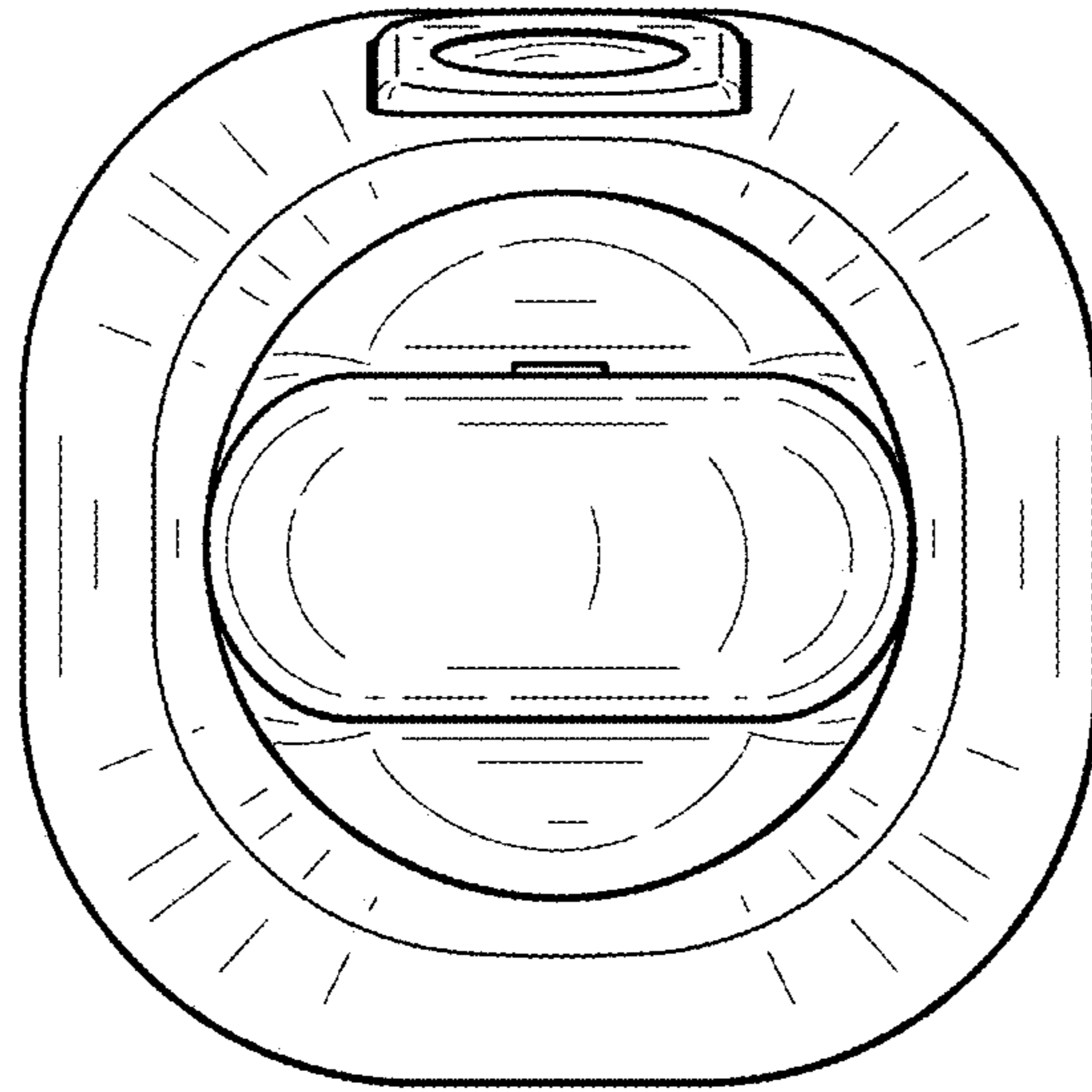


FIG. 3

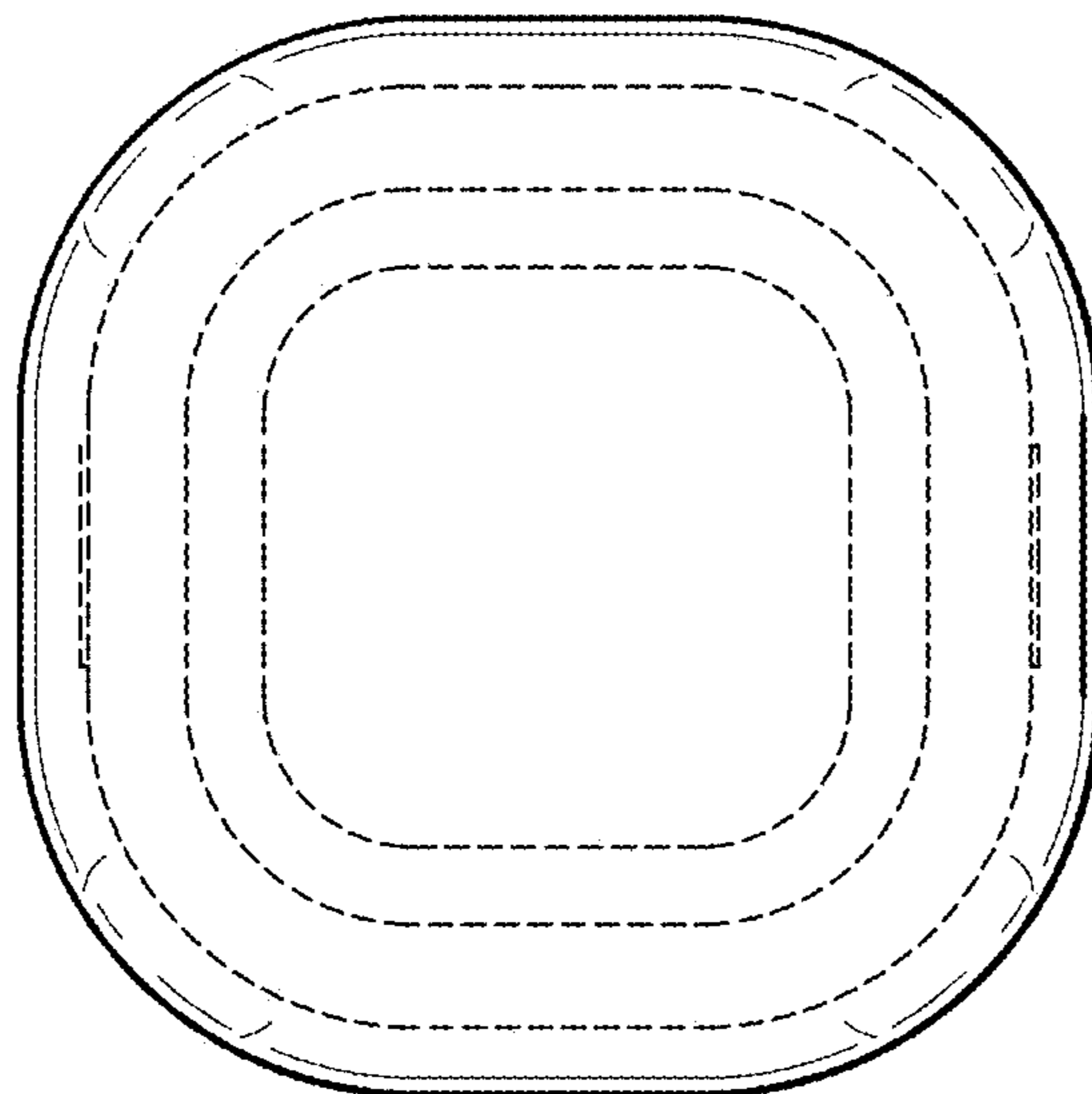


FIG. 4

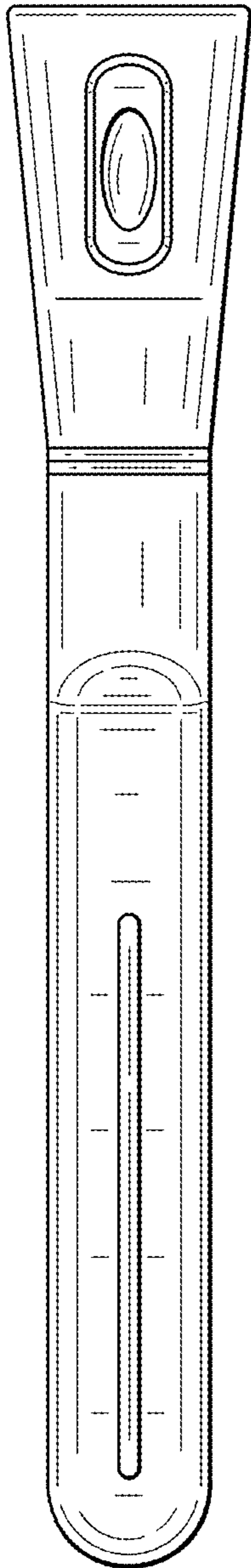


FIG. 5

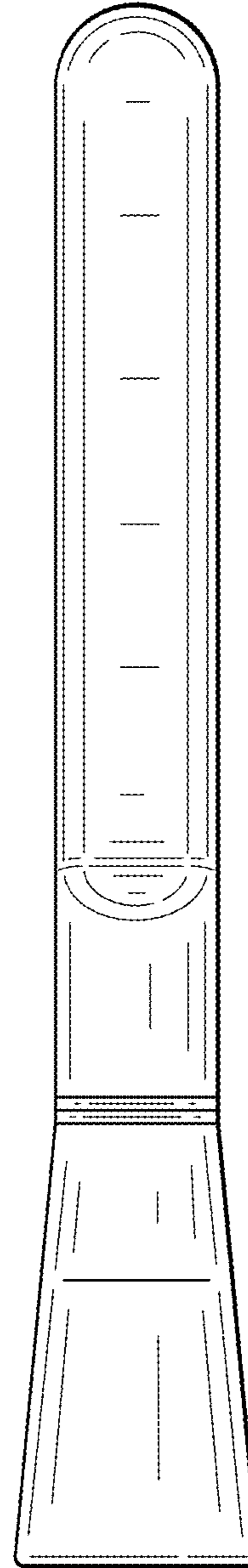


FIG. 6

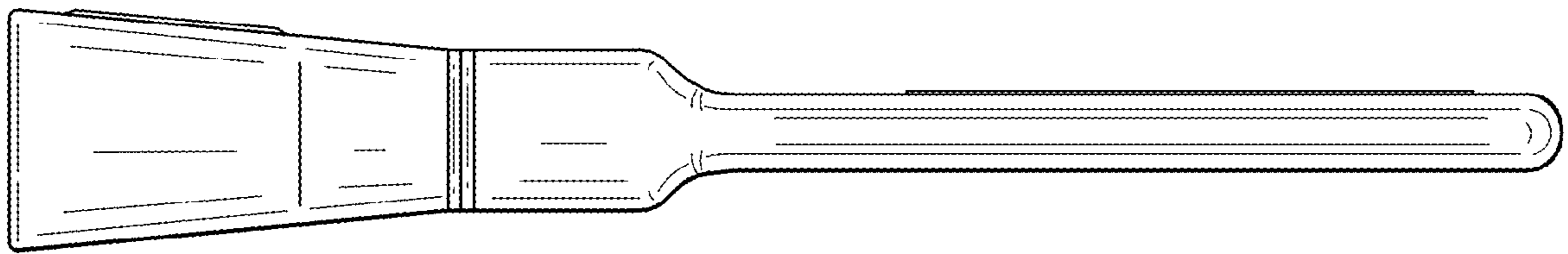


FIG. 7

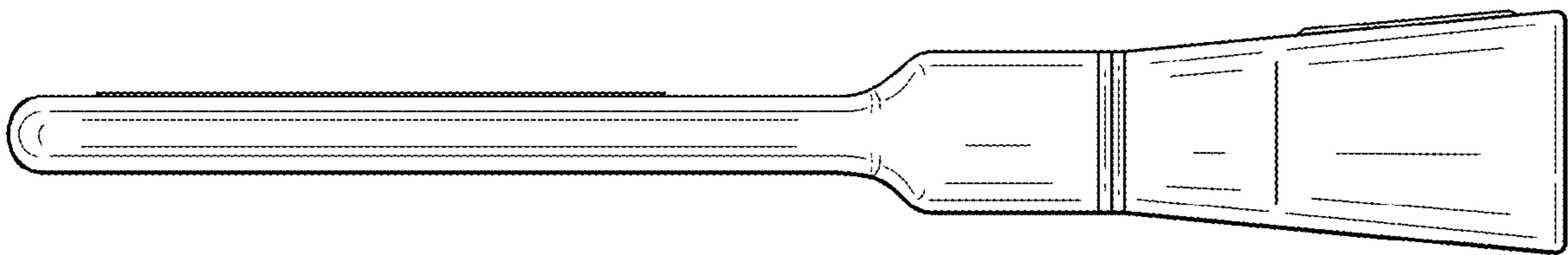
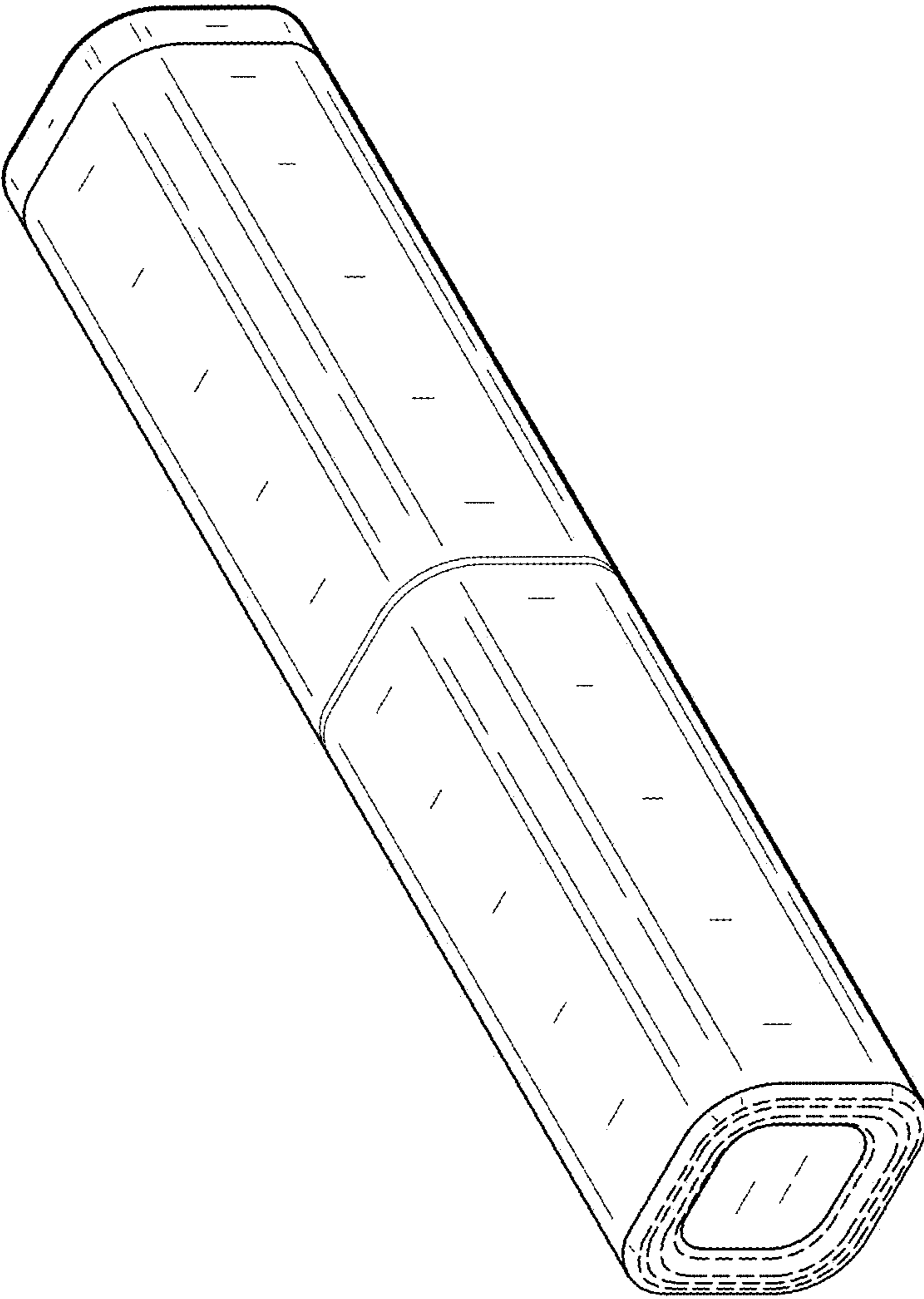


FIG. 8



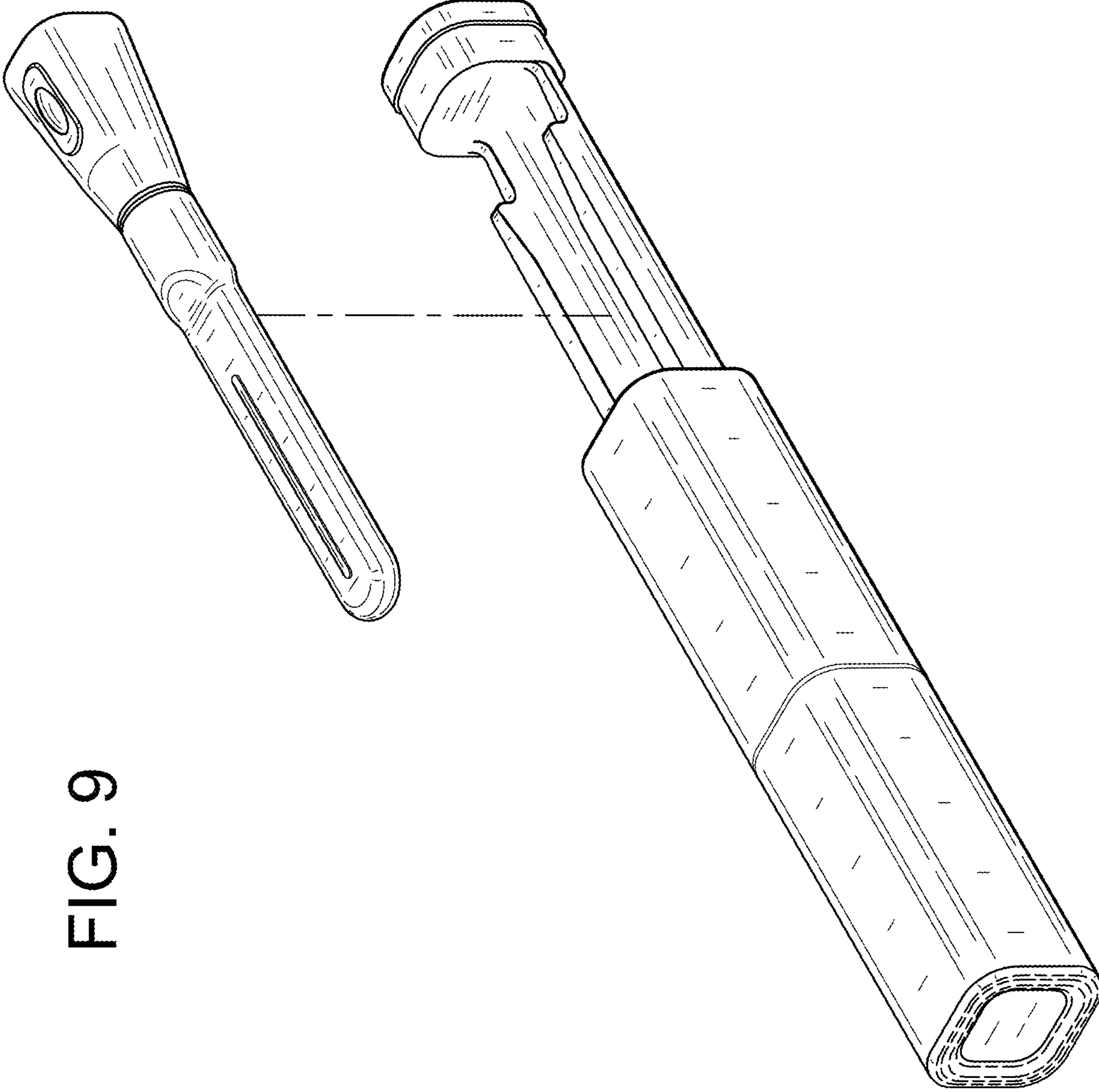


FIG. 9



FIG. 10

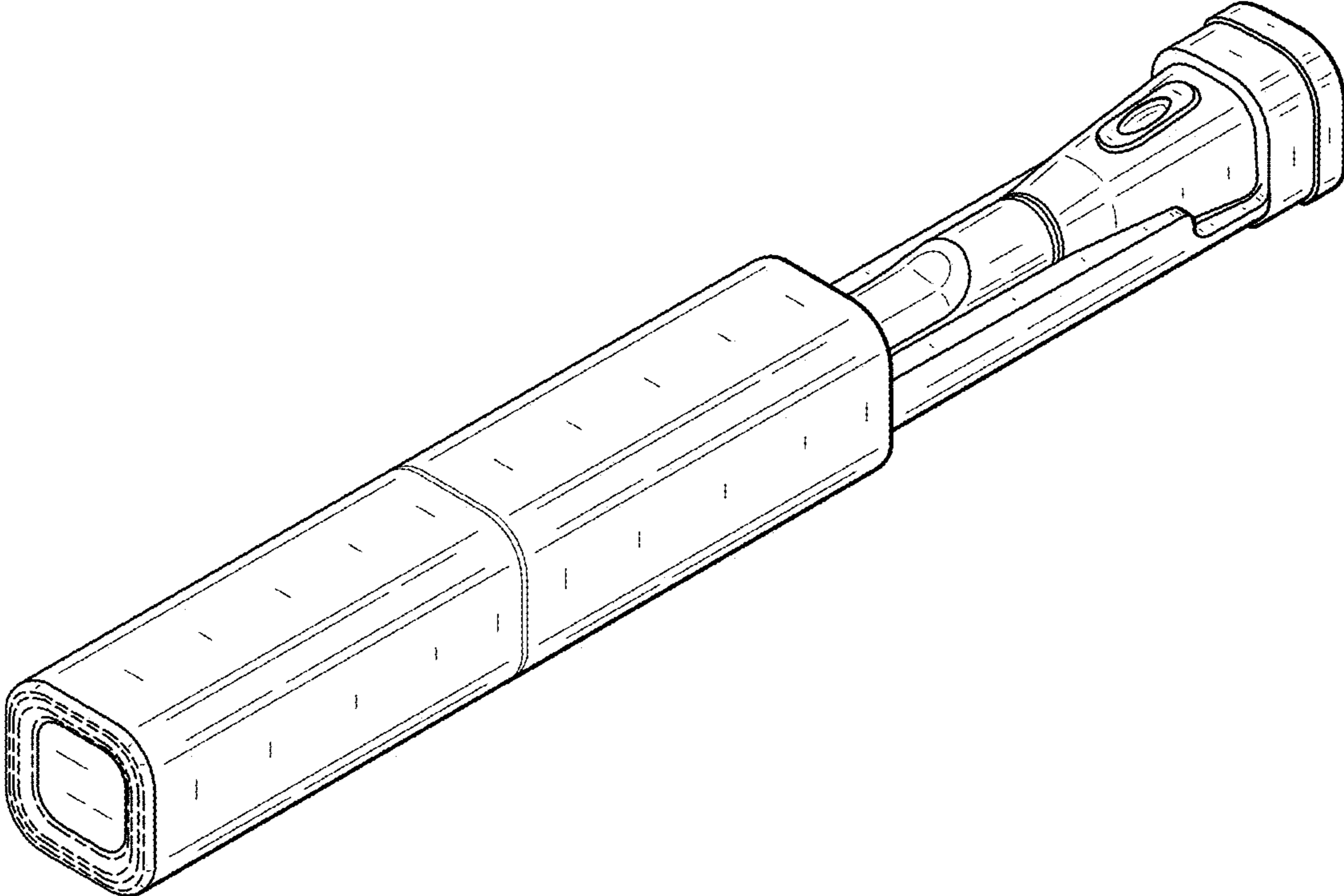


FIG. 11

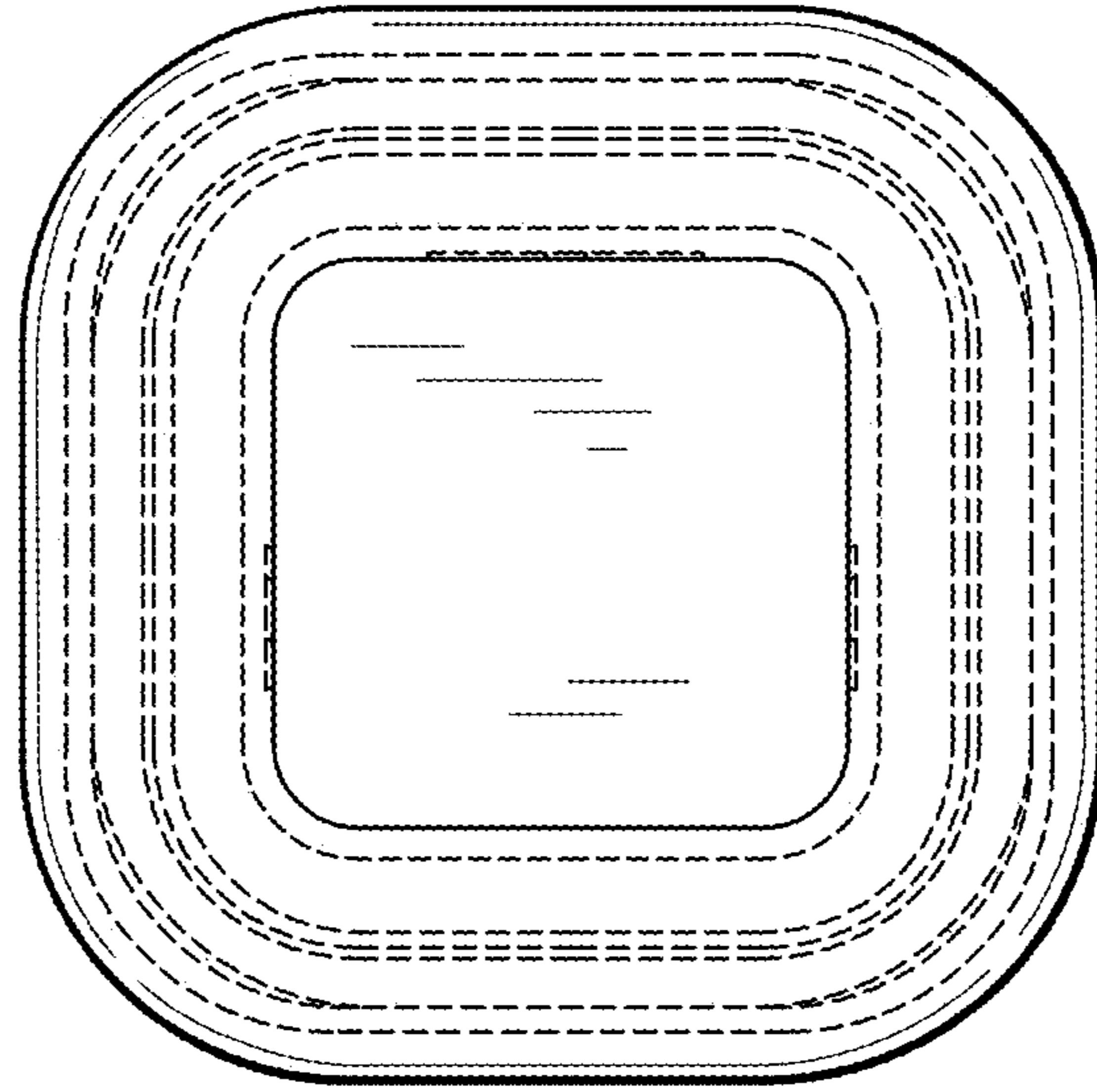


FIG. 12

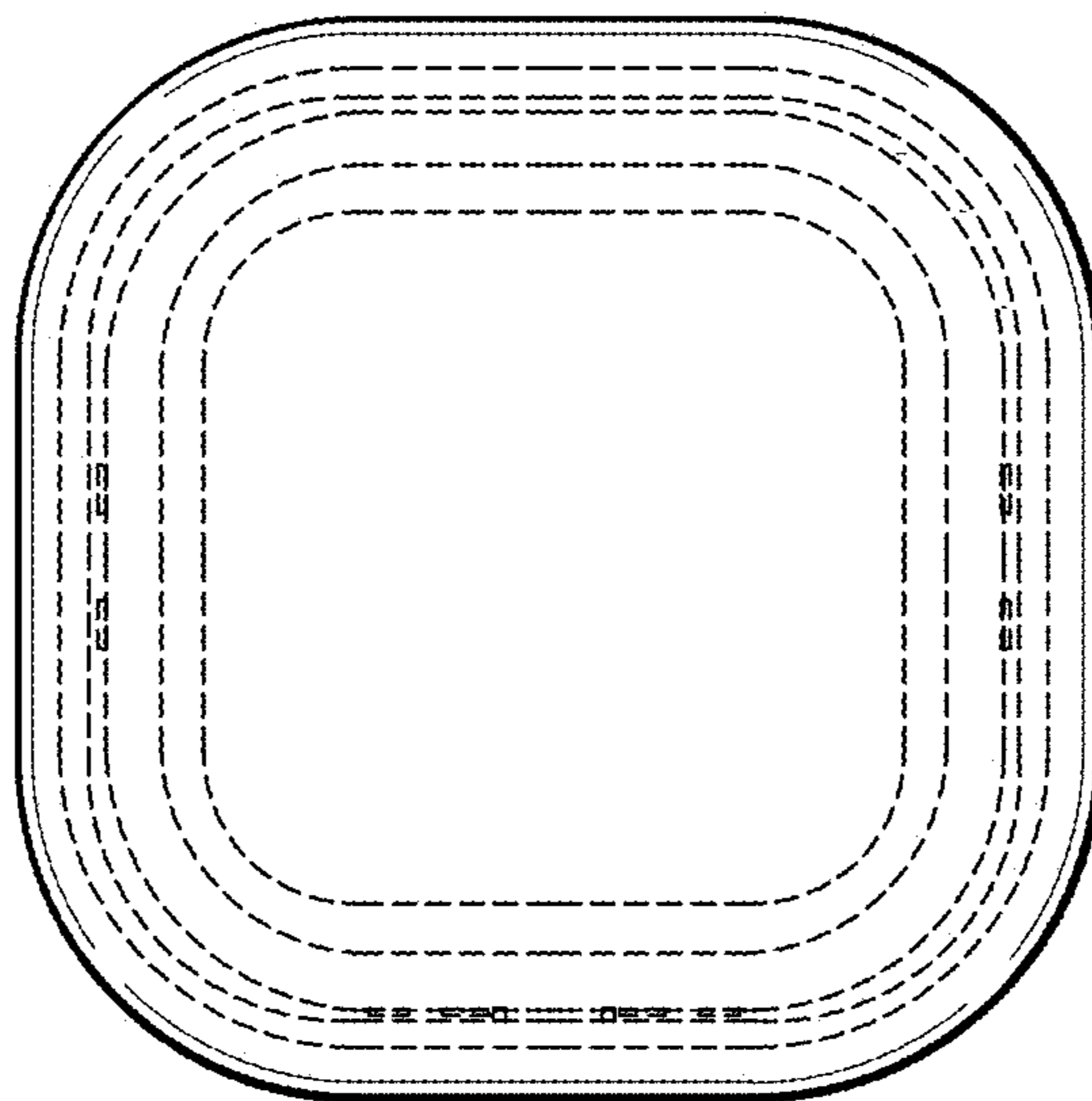


FIG. 13

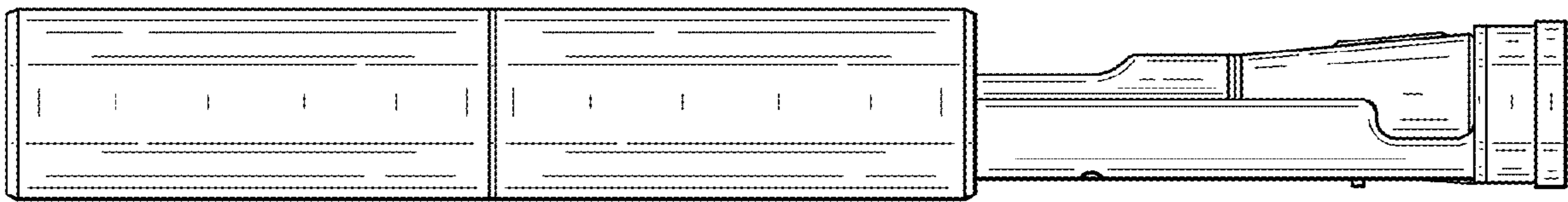


FIG. 14

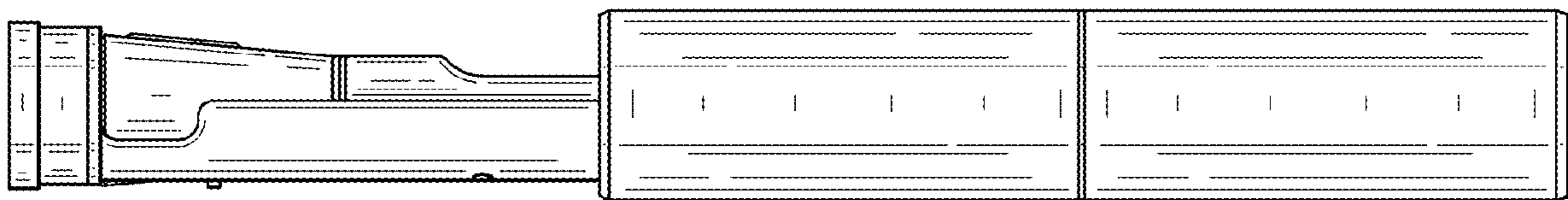


FIG. 15

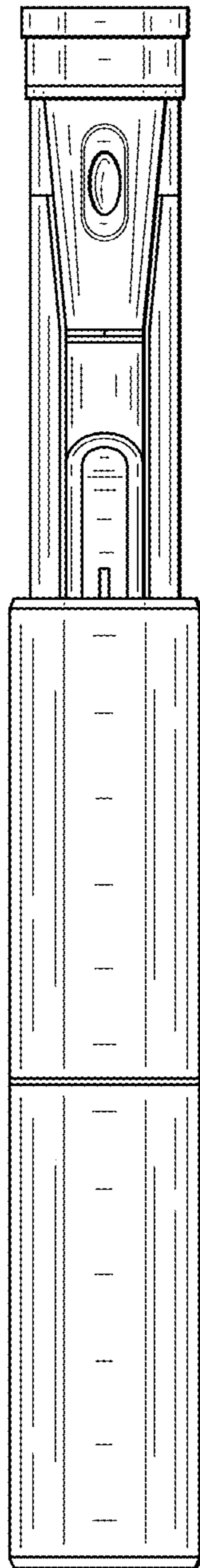


FIG. 16

