



US00D898910S

(12) **United States Design Patent** (10) **Patent No.:** **US D898,910 S**  
**Hansen et al.** (45) **Date of Patent:** **\*\* Oct. 13, 2020**

(54) **MEDICAL SCOPE**

(71) Applicant: **AMBU A/S**, Ballerup (DK)

(72) Inventors: **Michael Kappler Hansen**, Vallensbæk (DK); **Jesper Grøndahl Lund**, Ballerup (DK)

(73) Assignee: **AMBU A/S**, Baltorpbakken, Ballerup (DK)

(\*\*) Term: **15 Years**

(21) Appl. No.: **29/638,061**

(22) Filed: **Feb. 23, 2018**

(30) **Foreign Application Priority Data**

Aug. 25, 2017 (EM) ..... 004163665-0003

(51) **LOC (12) Cl.** ..... **24-02**

(52) **U.S. Cl.**  
USPC ..... **D24/137**

(58) **Field of Classification Search**  
USPC ..... D24/133, 138, 137, 144-146  
CPC ..... A61B 1/00087; A61B 1/00098; A61B 1/0052; A61B 1/00101; A61B 1/00066; A61B 1/0057; A61B 1/0011; A61M 25/09  
See application file for complete search history.

(56) **References Cited**

**U.S. PATENT DOCUMENTS**

4,566,437 A	1/1986	Yamaguchi	
D483,475 S *	12/2003	Kirwan	D24/108
D501,864 S *	2/2005	Greise	D16/202
D578,216 S *	10/2008	Dorn	D24/133
D719,651 S *	12/2014	Hoffmann	D24/133
D724,209 S *	3/2015	Sun	D24/138
9,693,759 B2 *	7/2017	Seguy	A61B 17/22031
D798,443 S *	9/2017	Matthison-Hansen	D24/128
D820,263 S *	6/2018	Rebello	D14/426
D884,703 S *	5/2020	Silver	D14/426

2009/0157094 A1 *	6/2009	Yeshurun	A61B 17/54 606/131
2011/0009694 A1	1/2011	Schultz et al.	
2017/0078583 A1 *	3/2017	Haggerty	H04N 5/2252
2019/0216298 A1 *	7/2019	Lund	A61B 1/00087
2020/0100662 A1 *	4/2020	Jensen	A61B 1/0011

**FOREIGN PATENT DOCUMENTS**

WO	2010066789 A1	6/2010
WO	2013071938 A1	5/2013
WO	2016188542 A1	12/2016

**OTHER PUBLICATIONS**

Patkin, A Check-List for Handle Design. Ergonomics Australia On-Line. 2001. 15(suppl); <http://ergonomics.uq.edu.au/eaol/handle.pdf>. 20 pages.

\* cited by examiner

*Primary Examiner* — Eliza Z Bennett-Hattan

(74) *Attorney, Agent, or Firm* — McCarter & English, LLP; David R. Burns

(57) **CLAIM**

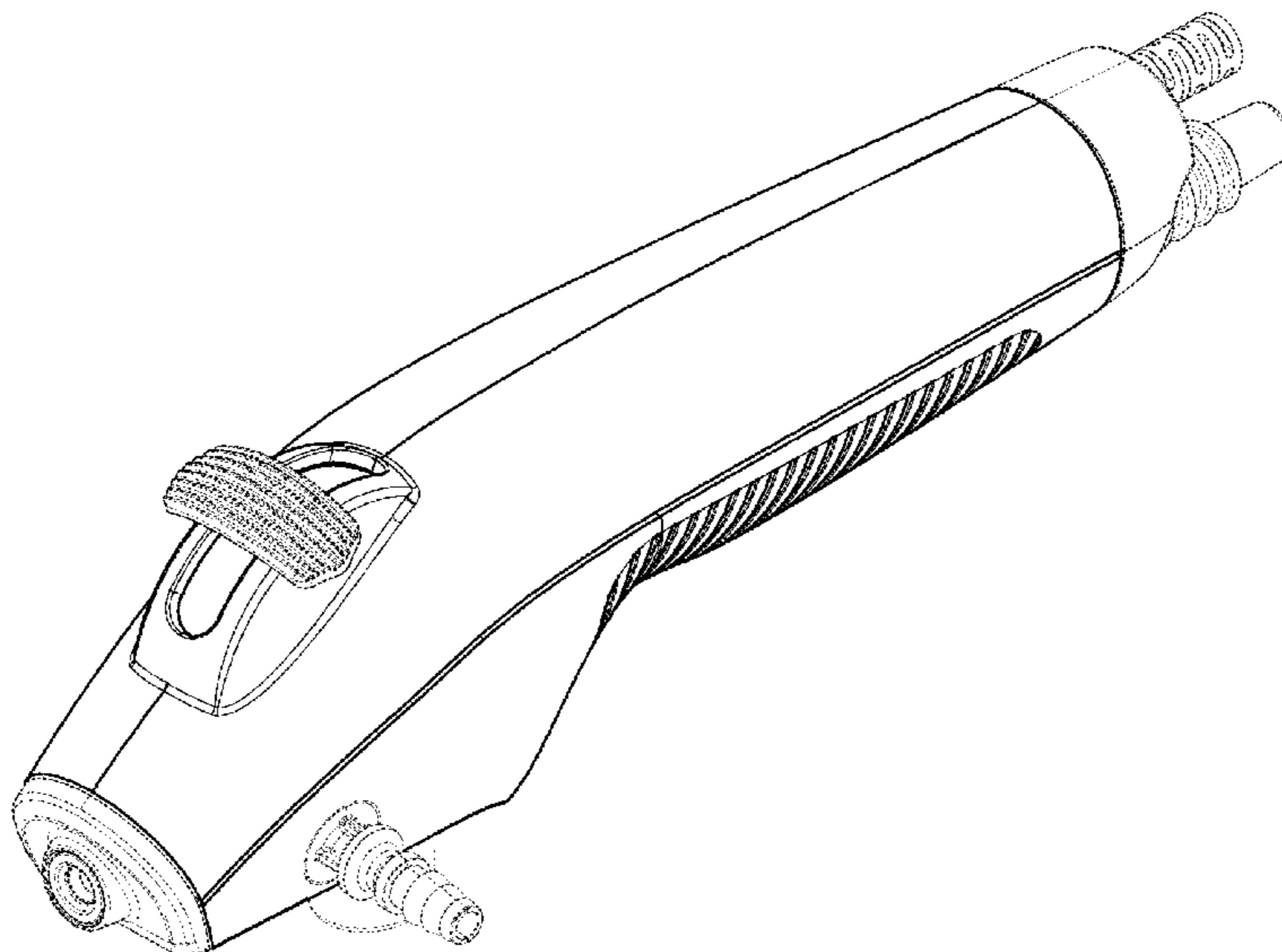
The ornamental design for a medical scope, as shown and described.

**DESCRIPTION**

FIG. 1 is a perspective view of a medical scope showing the new design;  
FIG. 2 is a left side view thereof;  
FIG. 3 is a right side view thereof;  
FIG. 4 is a bottom view thereof;  
FIG. 5 is a top view thereof;  
FIG. 6 is a rear view thereof; and,  
FIG. 7 is a front view thereof.

The portions of the medical scope shown in broken lines depict unclaimed portions of the medical scope only and form no part of the claimed design.

**1 Claim, 7 Drawing Sheets**



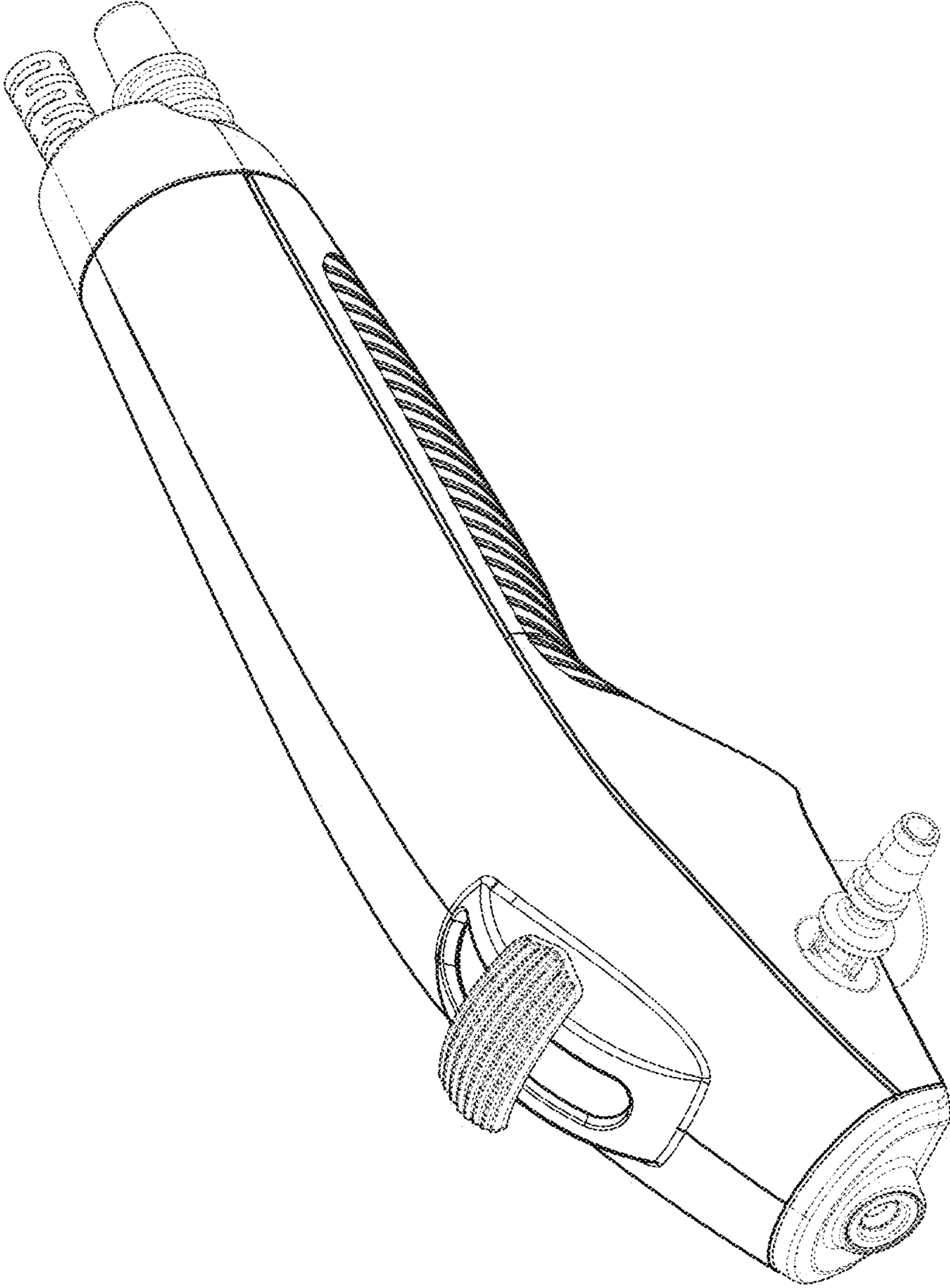


FIG. 1

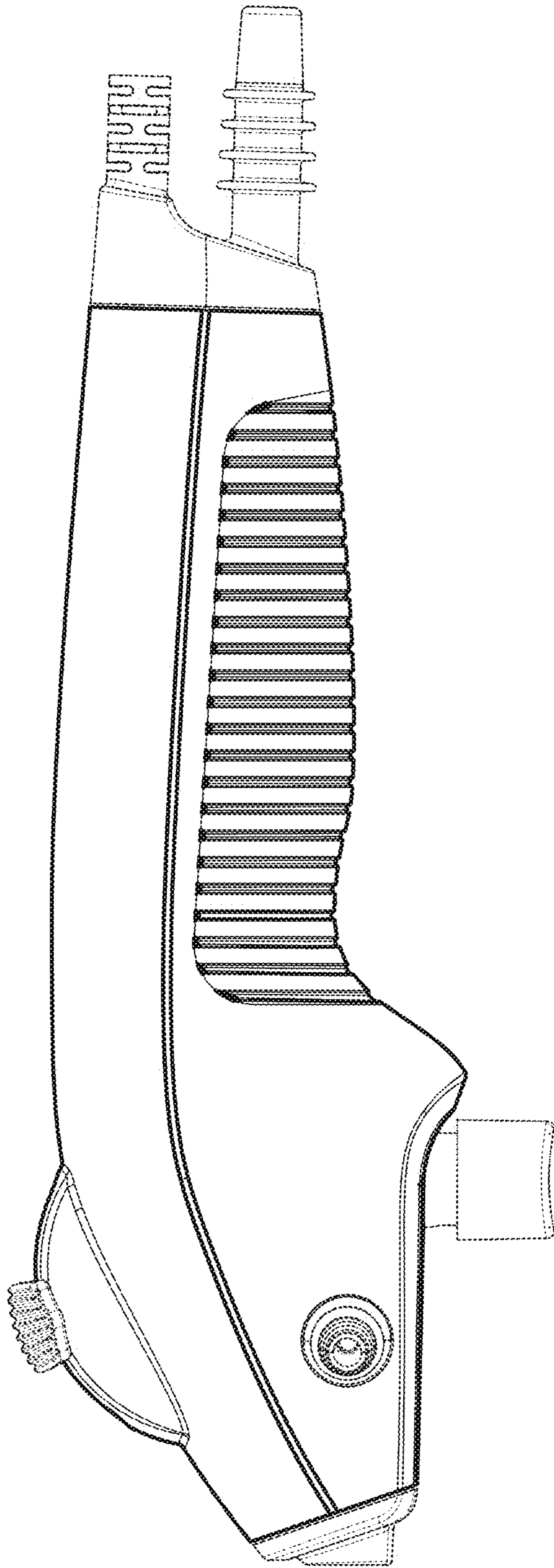


FIG. 2

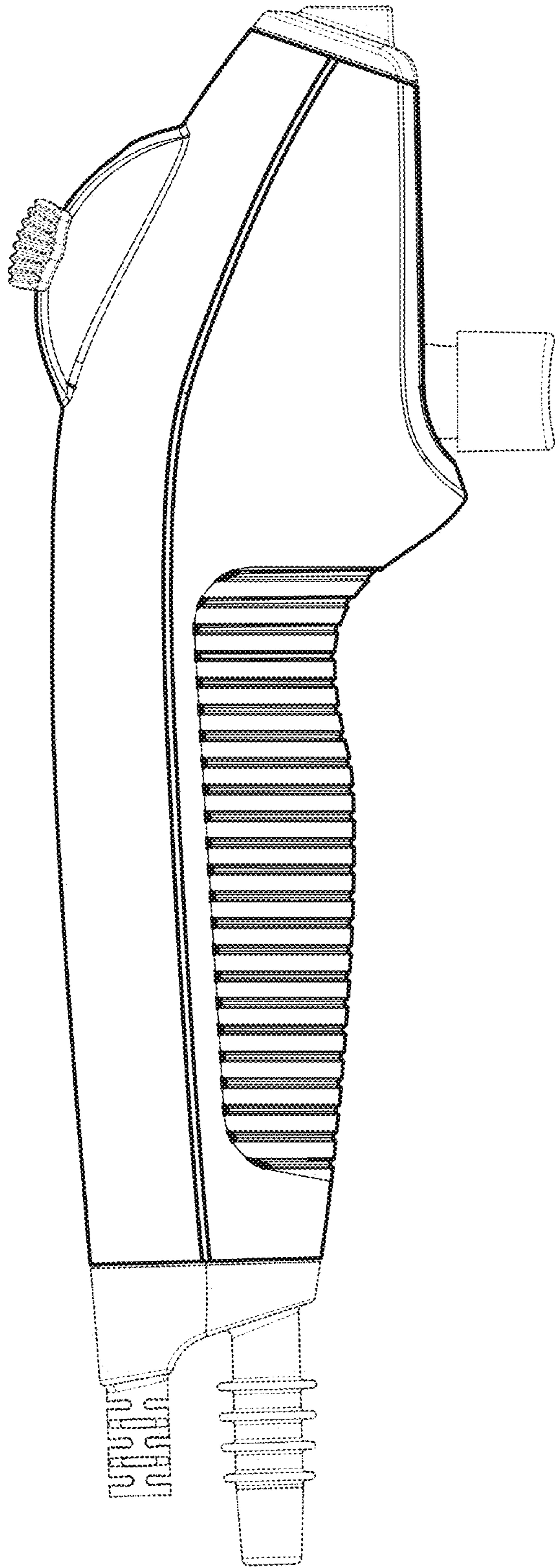


FIG. 3

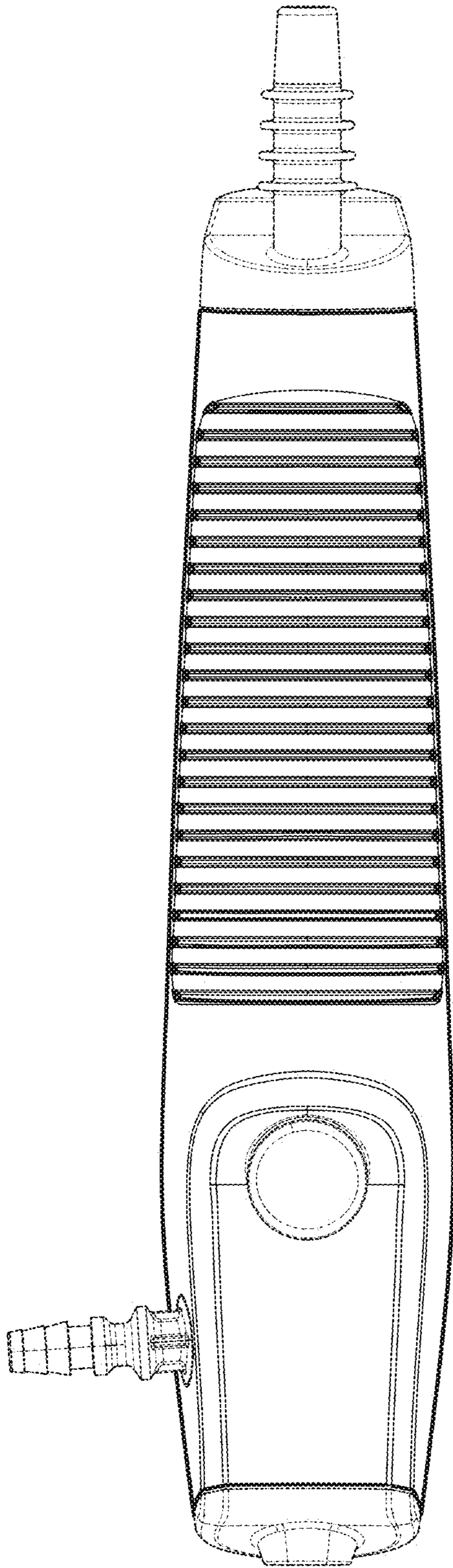


FIG. 4

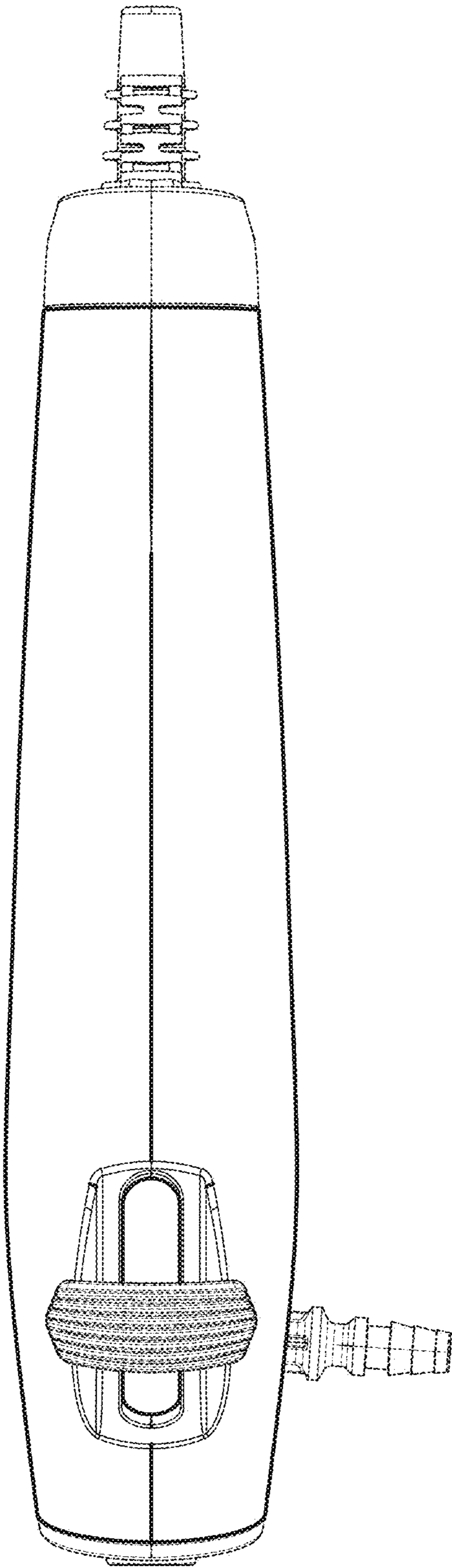


FIG. 5

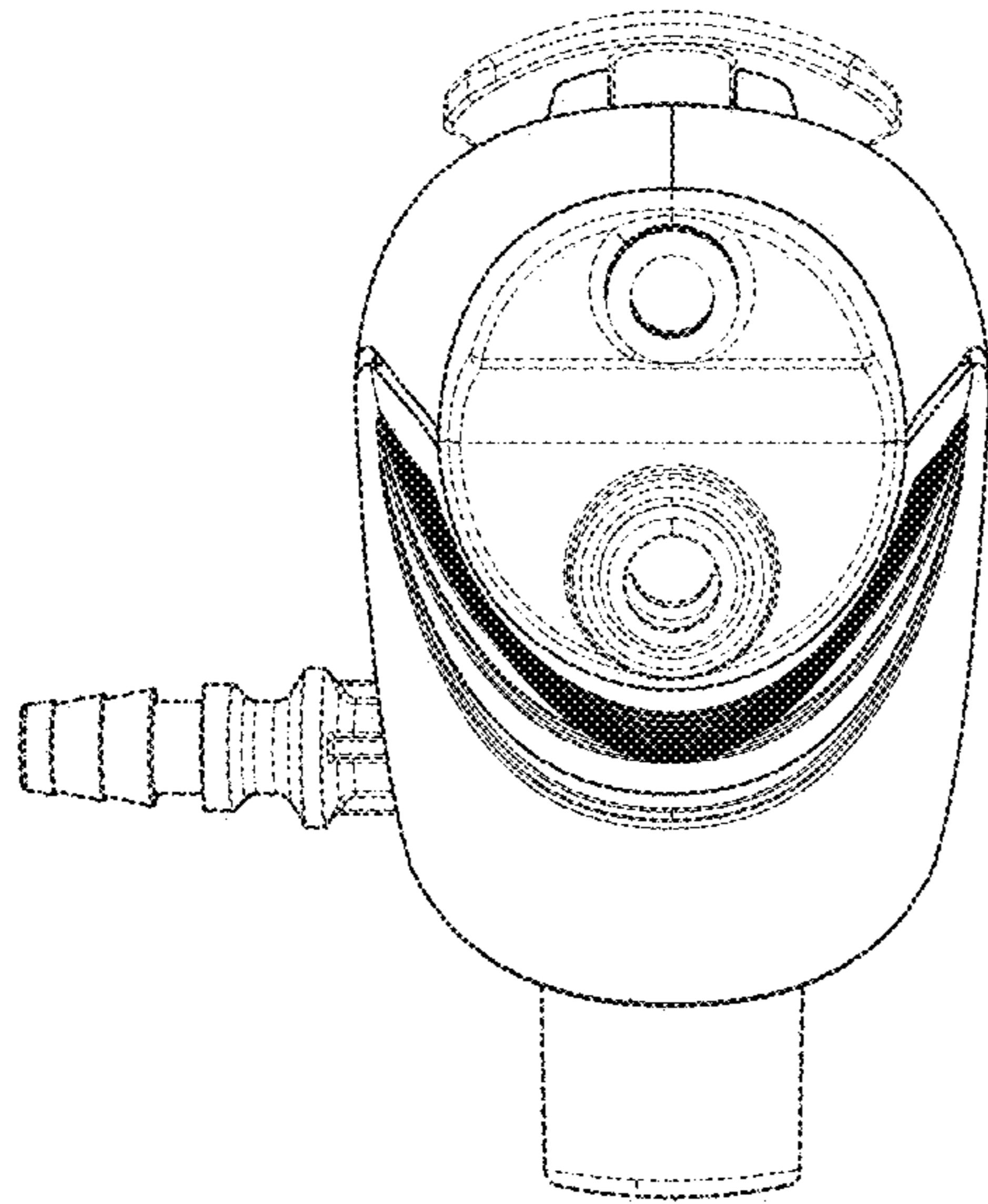


FIG. 6

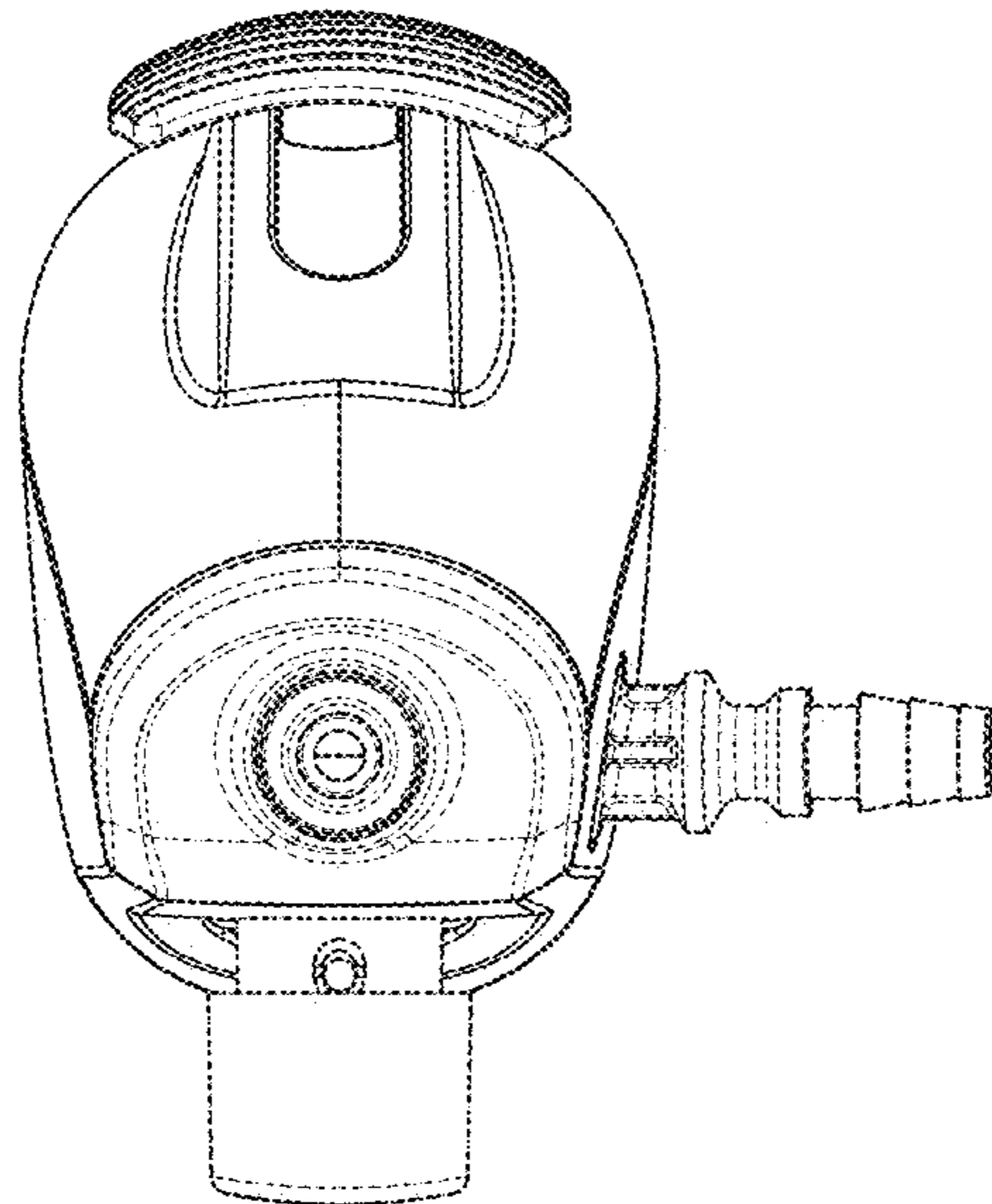


FIG. 7