

US00D898907S

(12) **United States Design Patent**
Gill et al.

(10) **Patent No.:** **US D898,907 S**
(45) **Date of Patent:** **** Oct. 13, 2020**

(54) **WING OF AN INTRARUMINAL DEVICE**

(71) Applicant: **Argenta Manufacturing Limited**,
Manurewa East, Auckland (NZ)

(72) Inventors: **David Gill**, Auckland (NZ); **Brendon Rout**, Auckland (NZ); **Michael Venning**, Auckland (NZ)

(73) Assignee: **Argenta Manufacturing Limited**,
Manurewa East (NZ)

(**) Term: **15 Years**

(21) Appl. No.: **29/638,220**

(22) Filed: **Feb. 26, 2018**

(30) **Foreign Application Priority Data**

Aug. 25, 2017 (NZ) 423423

(51) **LOC (12) Cl.** **24-02**

(52) **U.S. Cl.**
USPC **D24/127**

(58) **Field of Classification Search**
USPC D24/127-131, 112-114, 133, 186;
606/181, 185; 604/264, 523-528, 272,
604/187, 158, 164.01-164.11, 181, 184,
604/227; 600/101, 139, 143;
128/200.24, 207.14, 207.15; 424/438
CPC A61K 9/0068; A61M 25/00; A61M 39/00;
A61M 27/00; A61M 25/0043; A61M
25/0067; A61M 25/0097; A61F 2/958
See application file for complete search history.

(56) **References Cited**

U.S. PATENT DOCUMENTS

3,056,724 A 10/1962 Hedley
3,150,662 A 9/1964 Carlson
3,199,511 A 8/1965 Kulick
3,797,492 A 3/1974 Place

4,312,347 A 1/1982 Magoon et al.
4,416,659 A * 11/1983 Simpson A61D 7/00
604/48
4,425,117 A 1/1984 Hugemann et al.
4,564,363 A 1/1986 Bagnall et al.
4,687,480 A * 8/1987 Laby A61M 31/002
424/438
D306,347 S 2/1990 Gyurik
5,198,222 A * 3/1993 Scully A61K 9/0068
424/424
5,277,912 A * 1/1994 Lowe A61K 9/0068
424/438
5,466,233 A * 11/1995 Weiner A61F 9/0017
604/890.1
6,450,991 B1 * 9/2002 Bunt A61D 7/00
604/141
6,974,587 B2 * 12/2005 Trompen A61K 9/0068
424/422

(Continued)

Primary Examiner — David G Muller

(74) *Attorney, Agent, or Firm* — Dentons US LLP

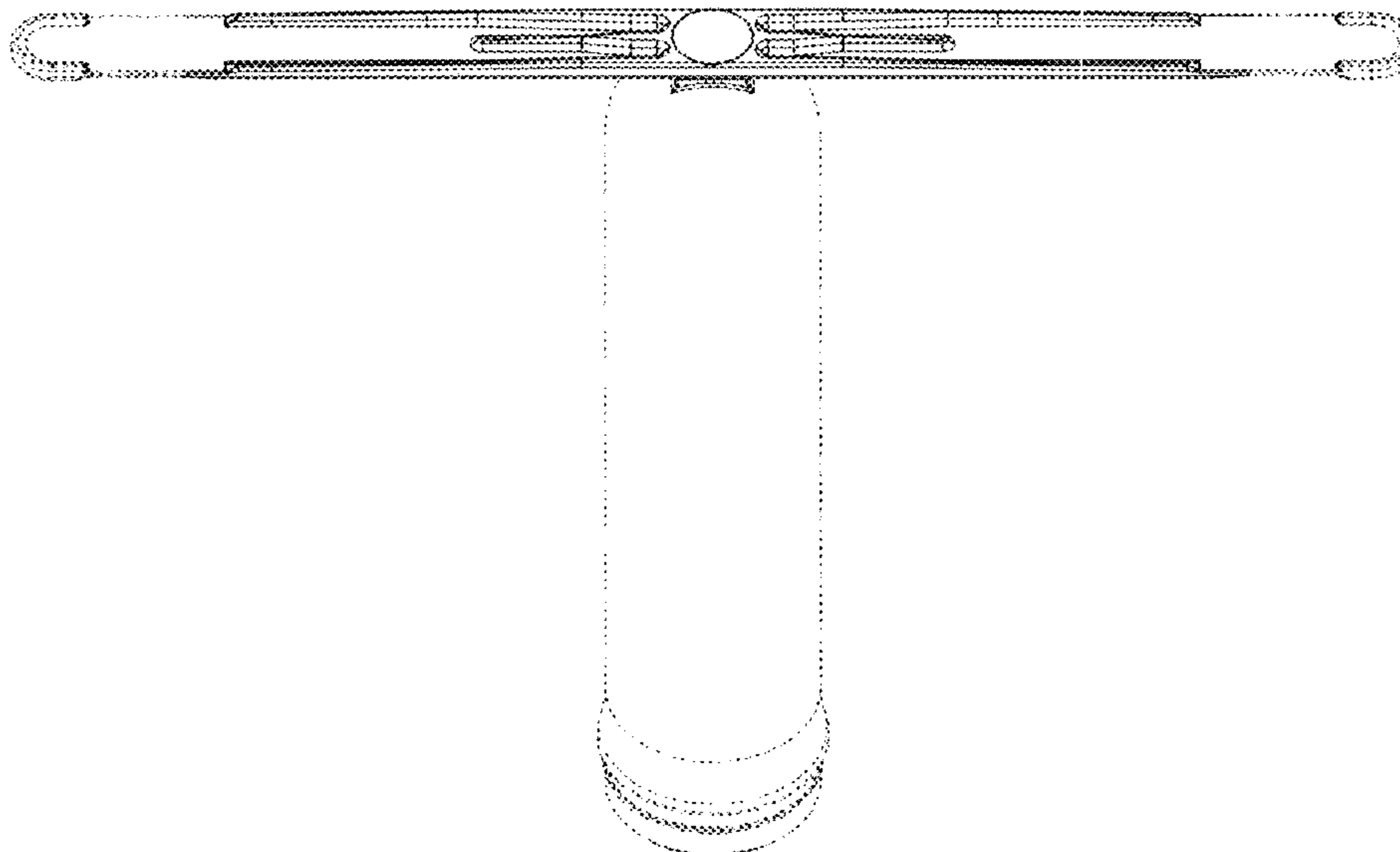
(57) **CLAIM**

We claim the ornamental design for a wing of an intraruminal device, as shown and described.

DESCRIPTION

FIG. 1 is a perspective view of a wing of an intraruminal device;
FIG. 2 is a front view of a wing of an intraruminal device (the front and back views are identical);
FIG. 3 is a side view of a wing of an intraruminal device (the left and right side views are identical);
FIG. 4 is a top view of a wing of an intraruminal device;
FIG. 5 is a cross sectional view of a wing of an intraruminal device, taken along line 5-5 in FIG. 3; and,
FIG. 6 is a cross sectional view of a wing of an intraruminal device, taken along line 6-6 in FIG. 4.
Portions of the drawings shown in broken lines form no part of the claimed design.

1 Claim, 6 Drawing Sheets



(56)

References Cited

U.S. PATENT DOCUMENTS

D667,550 S	9/2012	Keckstein	
8,734,430 B2 *	5/2014	Holmes	A61D 7/00 424/422
D750,779 S	3/2016	Ahluwalia et al.	
D751,198 S	3/2016	Ahluwalia et al.	
D752,741 S	3/2016	Winsor	
9,744,341 B2 *	8/2017	Johnson	A61D 7/00
9,801,660 B2 *	10/2017	Johnson	A61B 17/43
D845,505 S	4/2019	Cullimore	
D848,555 S	5/2019	Chang	
2005/0064032 A1 *	3/2005	Lowe	A61K 9/0007 424/468

* cited by examiner

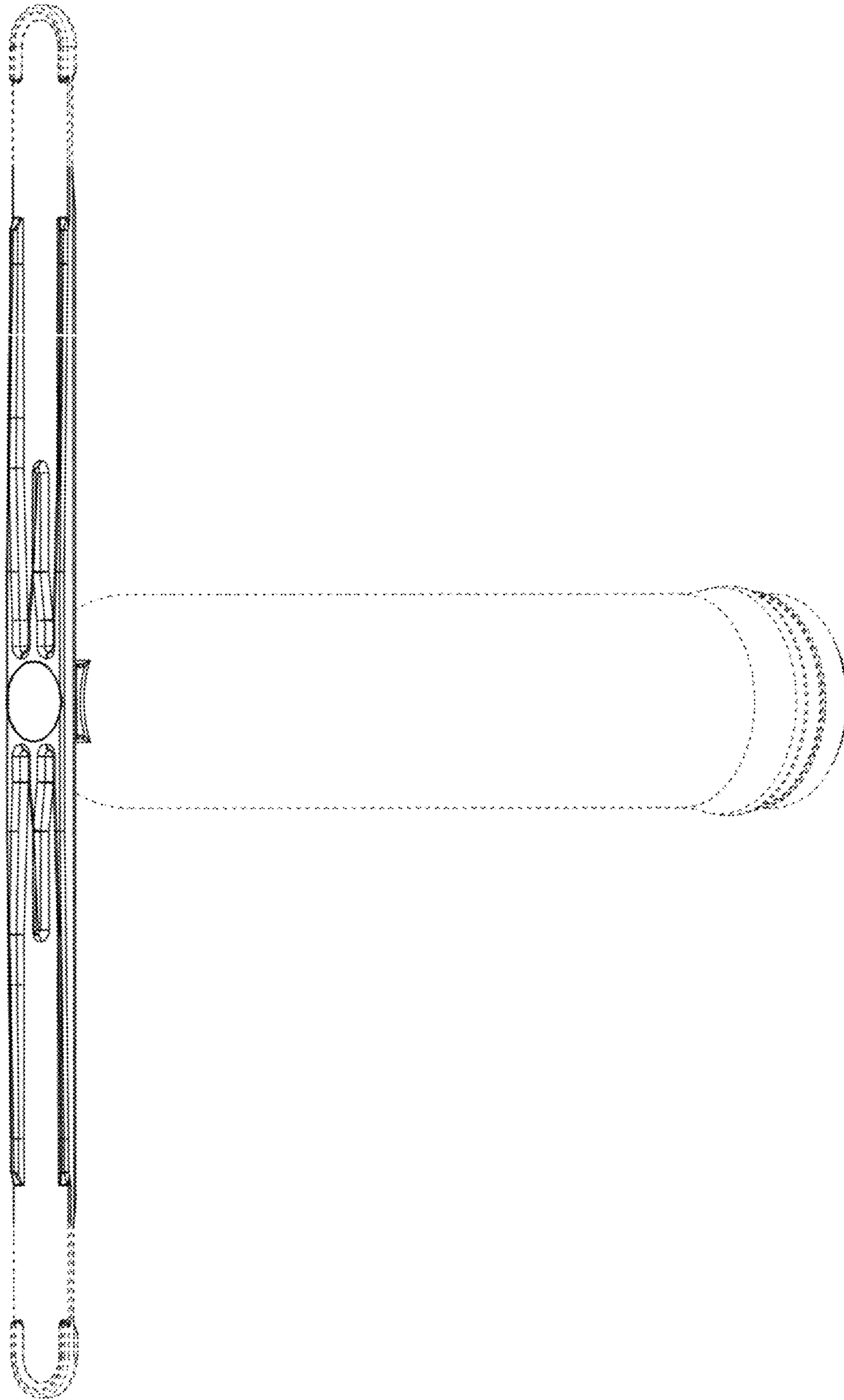


FIG. 1

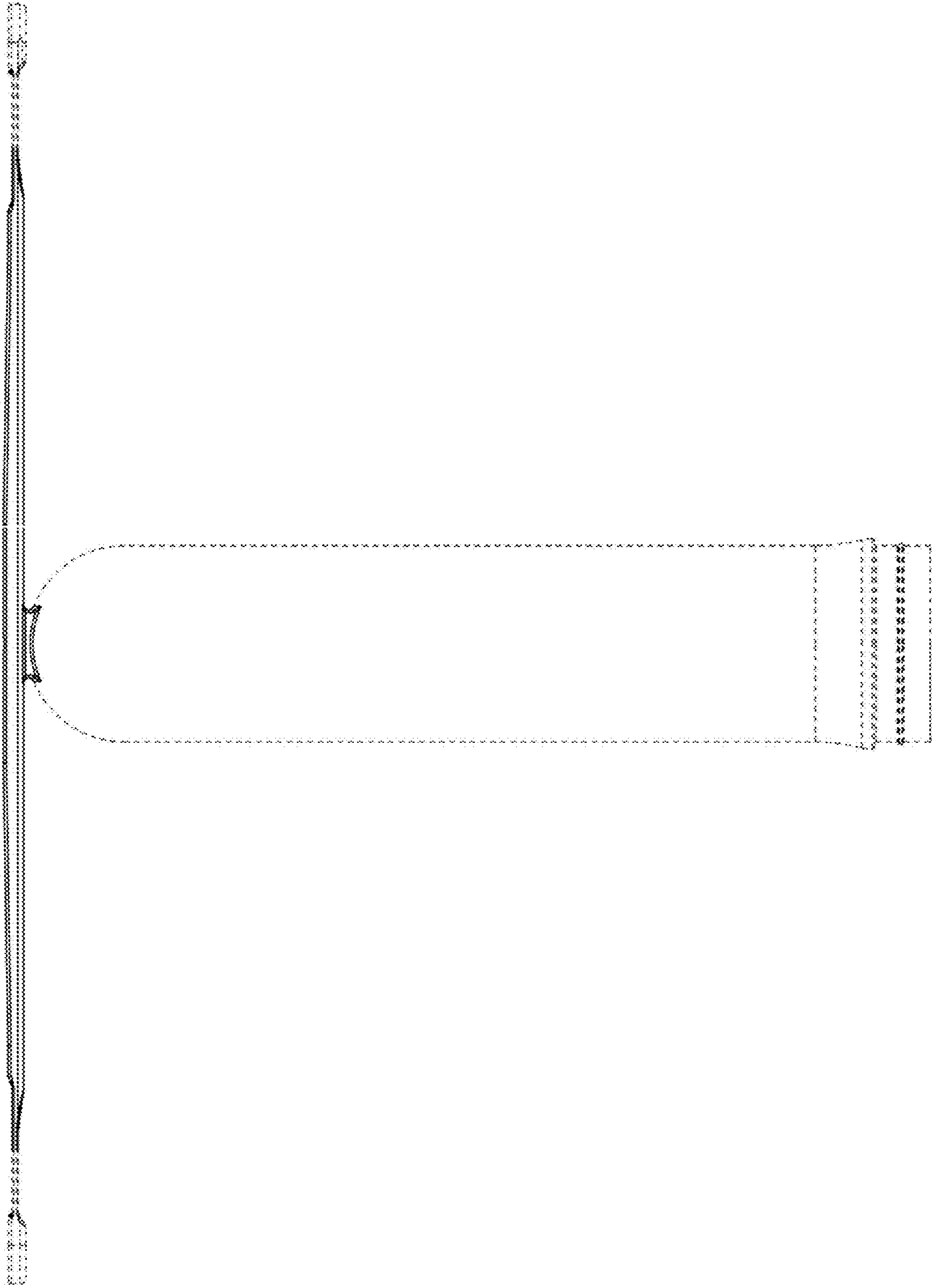


FIG. 2

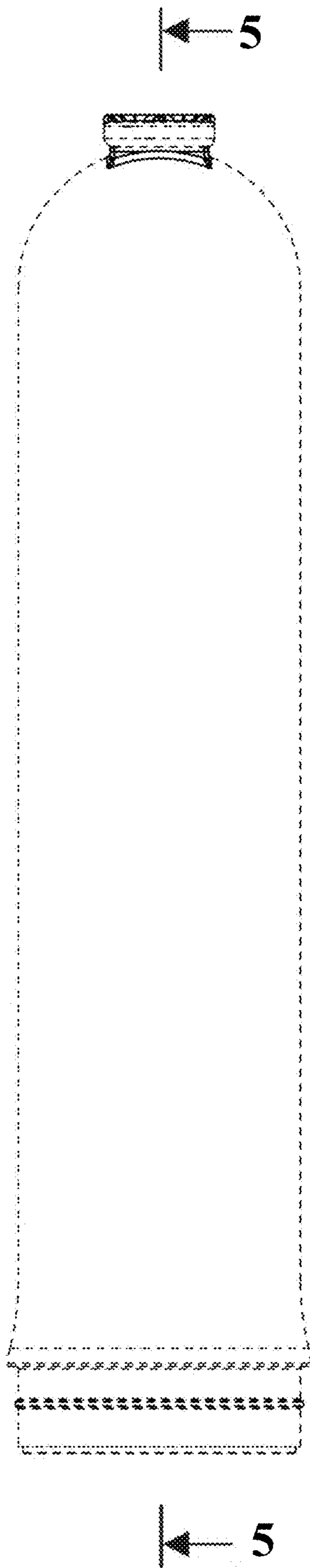


FIG. 3

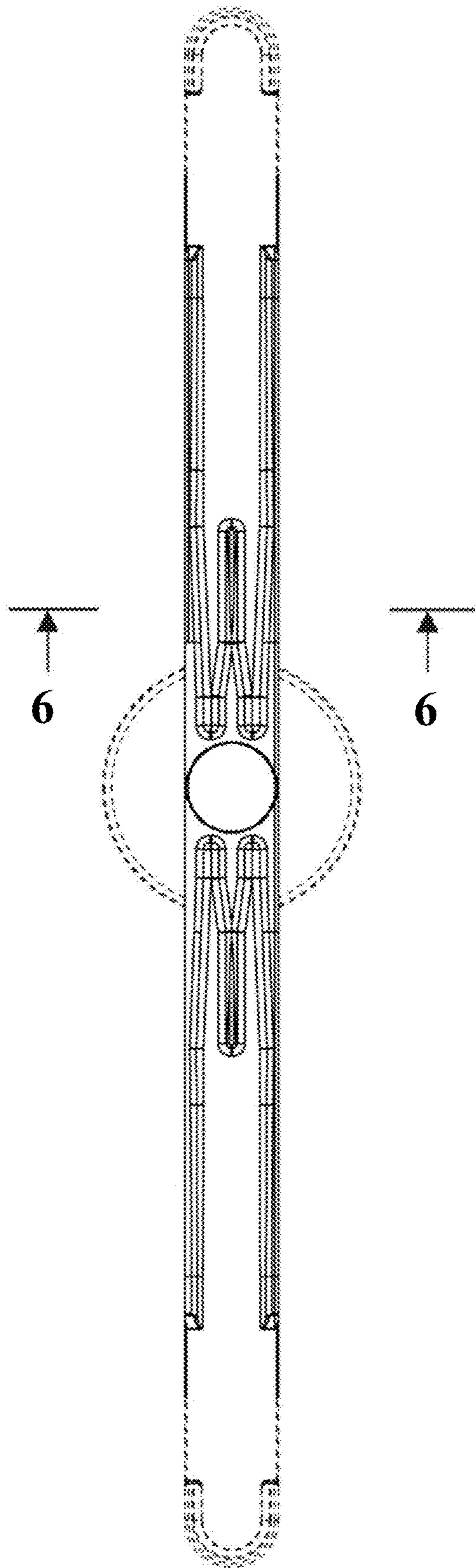


FIG. 4

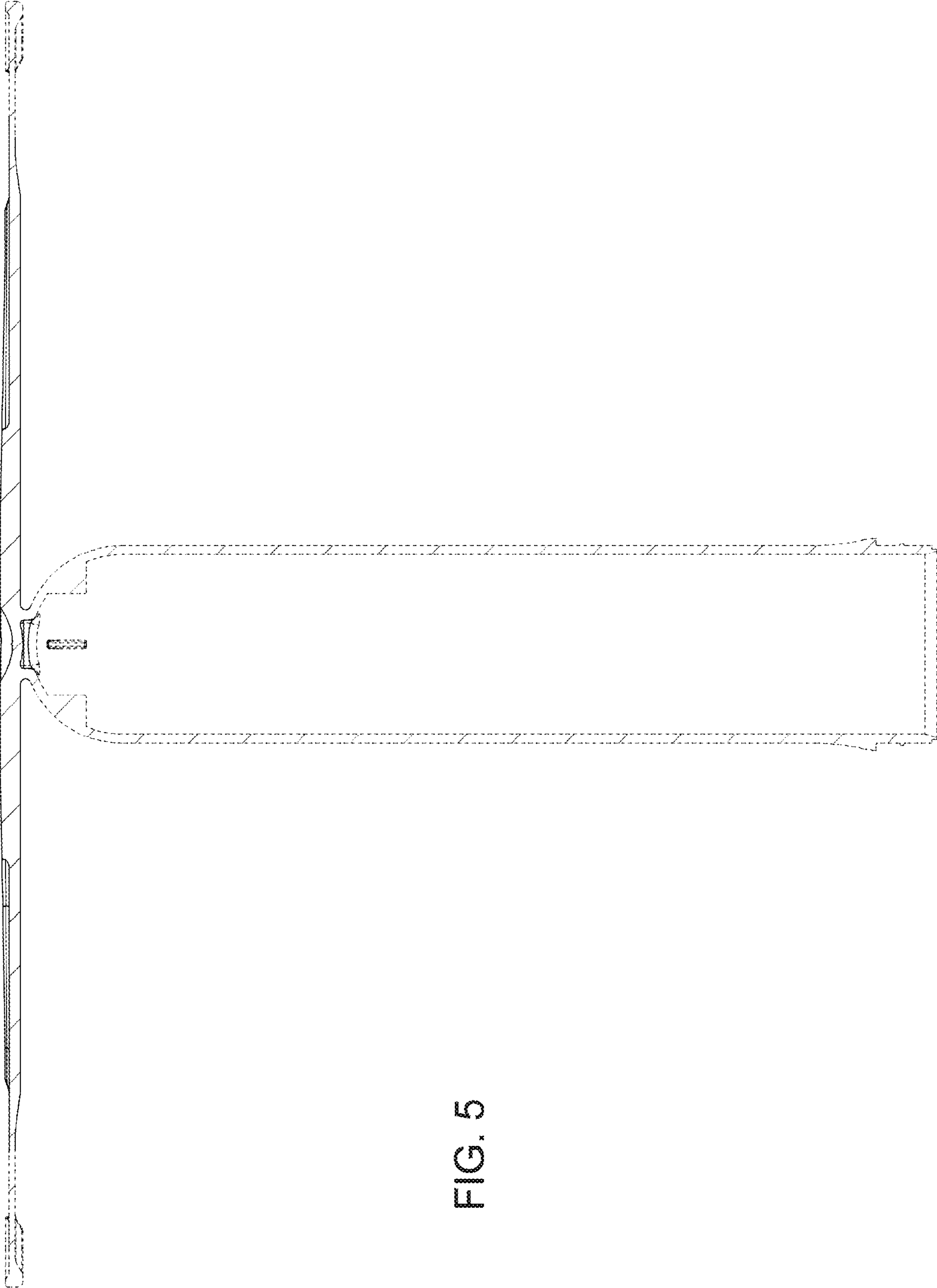


FIG. 5

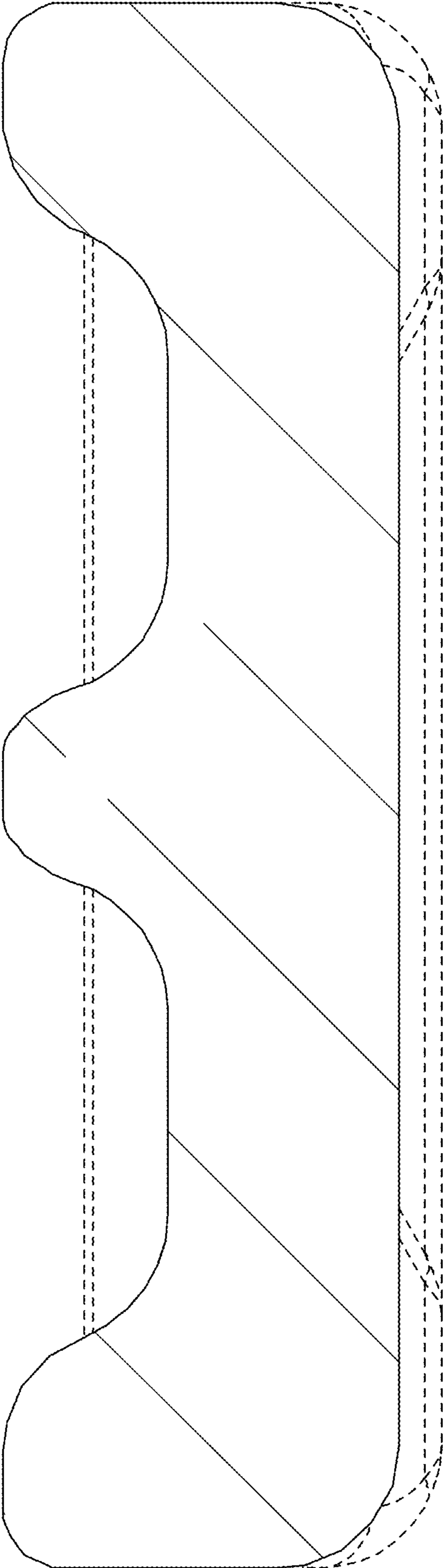


FIG. 6