



US00D898901S

(12) **United States Design Patent** (10) **Patent No.:** **US D898,901 S**
de Malibrán-Santibáñez et al. (45) **Date of Patent:** **** *Oct. 13, 2020**

(54) **LIQUID APPLICATOR FOR DELIVERING VACCINES**

(56) **References Cited**

(71) Applicant: **BOEHRINGER INGELHEIM ANIMAL HEALTH USA INC.,**
Duluth, GA (US)
(72) Inventors: **Aurelie de Malibrán-Santibáñez,**
Atlanta, GA (US); **Alonso Prado-Masias,** Peachtree Corners, GA
(US); **Frederic David,** Watkinsville, GA (US)
(73) Assignee: **BOEHRINGER INGELHEIM ANIMAL HEALTH USA INC.,**
Duluth, GA (US)

U.S. PATENT DOCUMENTS

D347,277 S *	5/1994	Snedden	D24/115
D358,466 S *	5/1995	Harris	D24/115
D451,597 S *	12/2001	Suh	D24/108
D498,666 S *	11/2004	Mitchell	D24/115
D674,481 S *	1/2013	DeCoste	D24/115
D679,805 S *	4/2013	Keller	D24/115
D681,196 S *	4/2013	Henrikson	D24/115
D684,259 S *	6/2013	Mehta	A61J 1/065 D24/115
D710,993 S *	8/2014	DeCoste, Jr.	D24/115
D721,433 S *	1/2015	Mulvey	D24/115
D753,292 S *	4/2016	Oates, II	D24/115
D859,647 S *	9/2019	Chang	D24/115
D870,275 S *	12/2019	Murray	D24/115

(*) Notice: This patent is subject to a terminal disclaimer.
(**) Term: **15 Years**
(21) Appl. No.: **29/638,237**
(22) Filed: **Feb. 26, 2018**

* cited by examiner

Primary Examiner — David G Muller

(74) *Attorney, Agent, or Firm* — Judy Jarecki-Black; John Ezcurra

Related U.S. Application Data

(63) Continuation of application No. 15/895,876, filed on Feb. 13, 2018.
(51) **LOC (12) Cl.** **24-02**
(52) **U.S. Cl.**
USPC **D24/115**
(58) **Field of Classification Search**
USPC D24/112–115, 108, 133, 130, 127, 186;
606/181, 185; 604/264, 272, 187, 181,
604/184, 227
CPC A61M 5/178; A61M 3/00; A61M 5/20;
A61M 5/31; A61M 5/3146; A61M
5/3129; A61M 5/3148; A61M 5/315
See application file for complete search history.

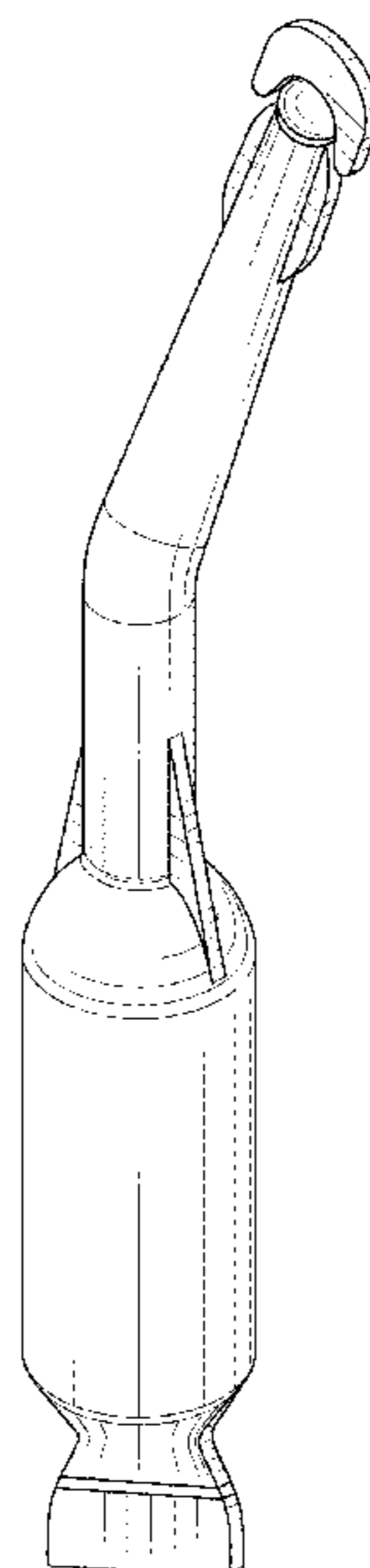
(57) **CLAIM**

The ornamental design for a liquid applicator for delivering vaccines, as shown.

DESCRIPTION

FIG. 1 is a perspective view of an applicator showing my new design;
FIG. 2 is a front elevational view thereof;
FIG. 3 is a back elevational view thereof;
FIG. 4 is a left side elevational view thereof;
FIG. 5 is a right side elevational view thereof;
FIG. 6 is a top plan view thereof; and,
FIG. 7 is a bottom plan view thereof.

1 Claim, 4 Drawing Sheets



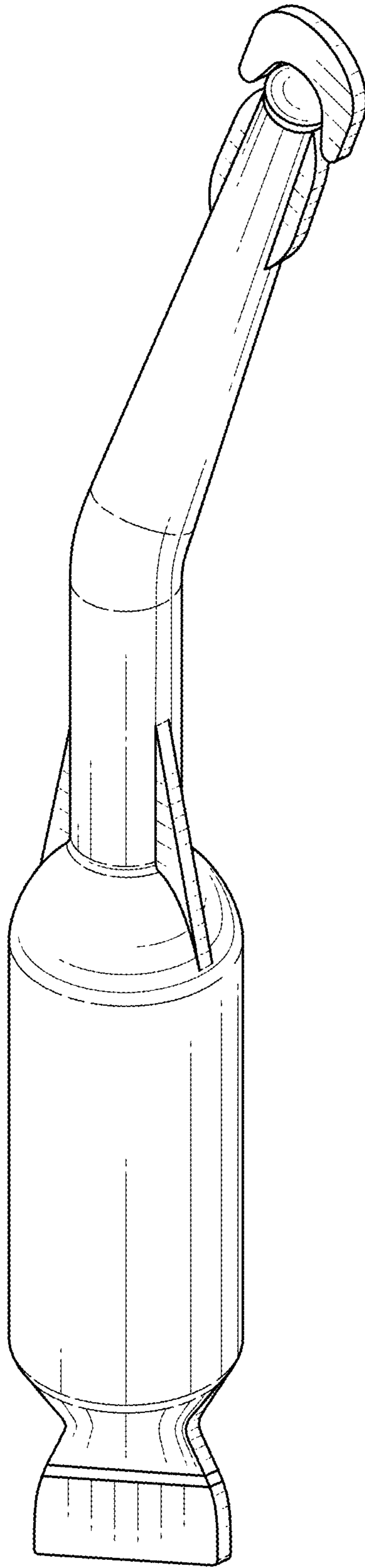


FIG. 1

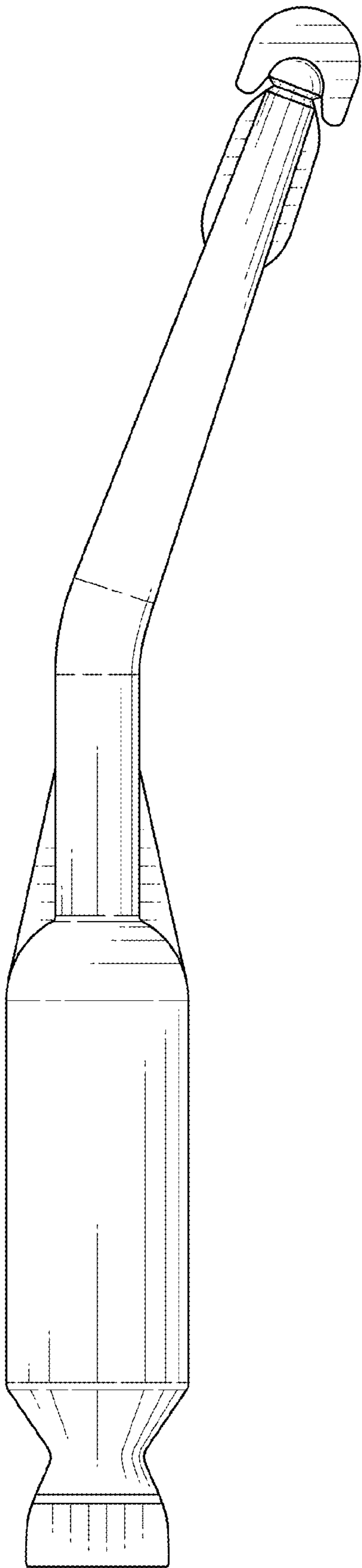


FIG. 2

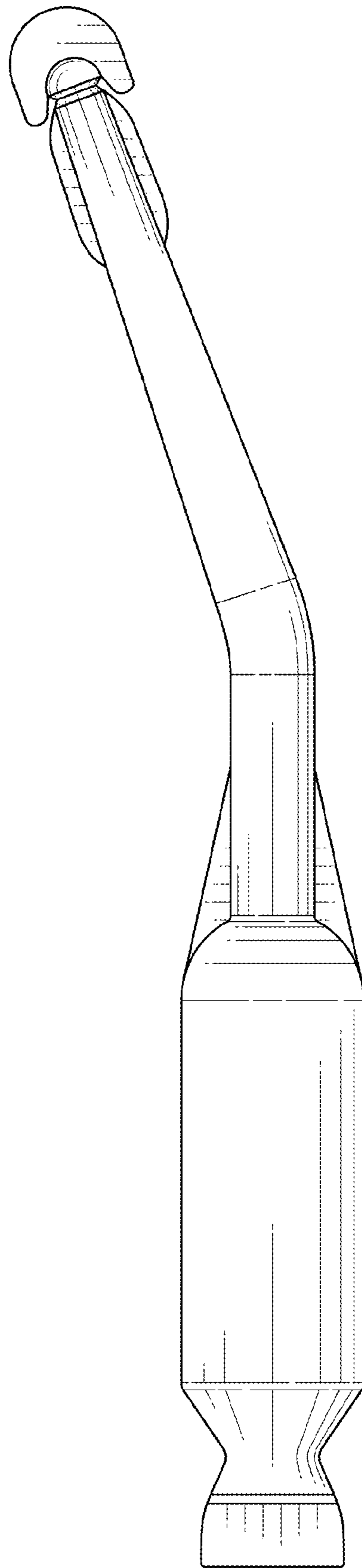


FIG. 3

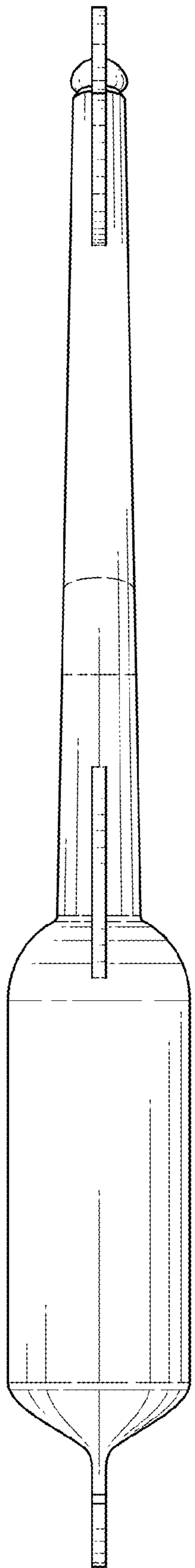


FIG. 4

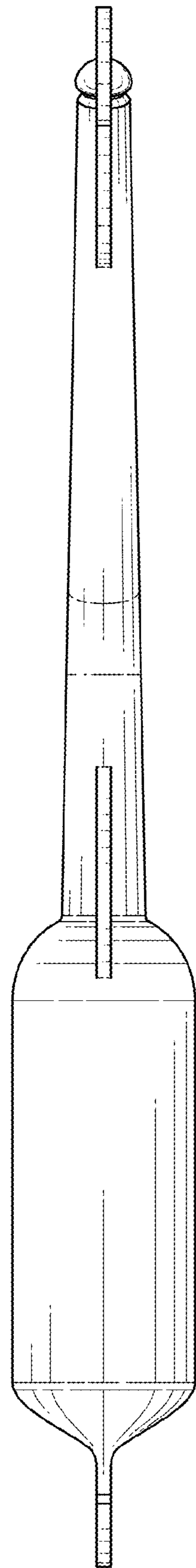


FIG. 5

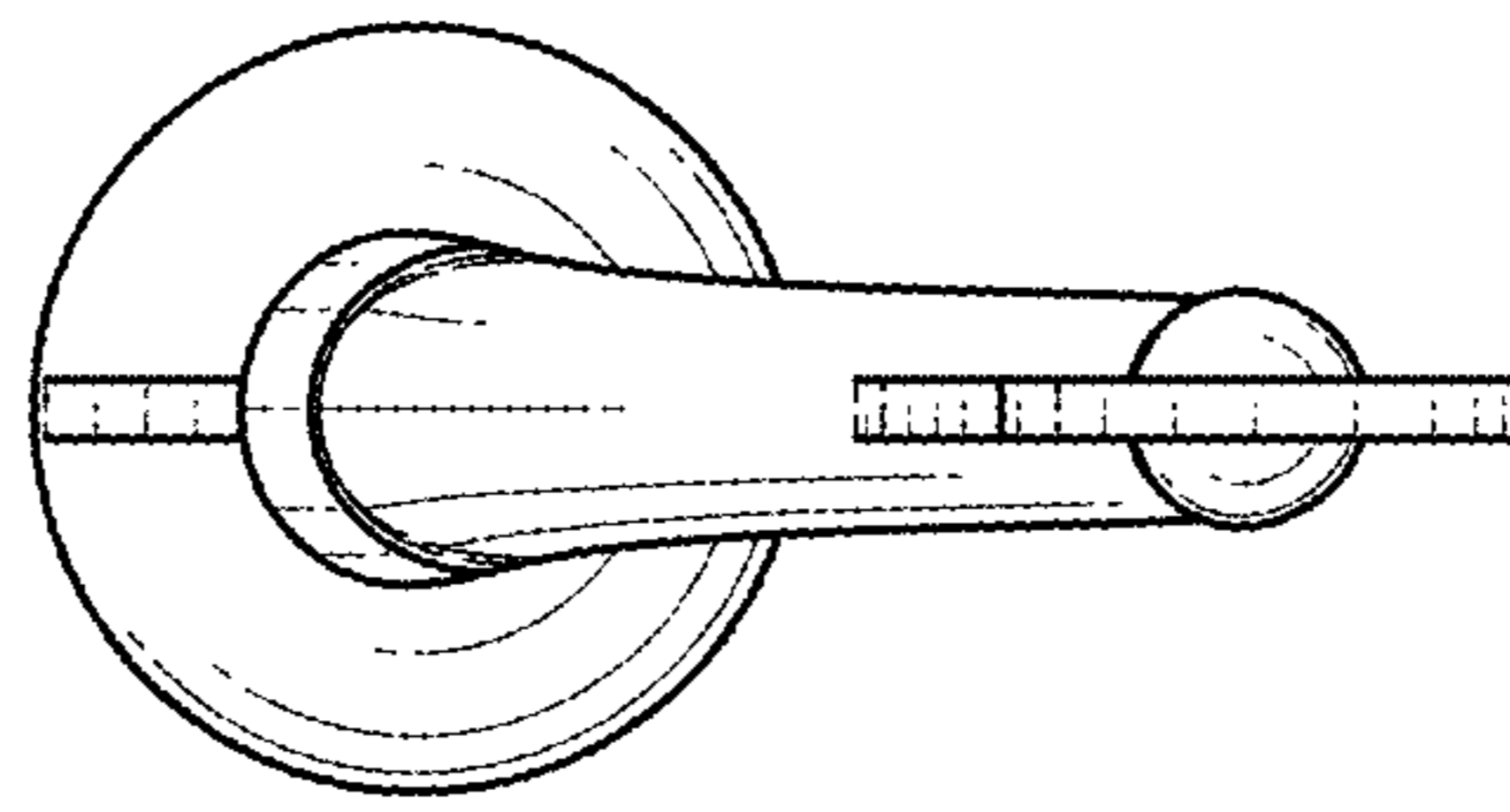


FIG. 6

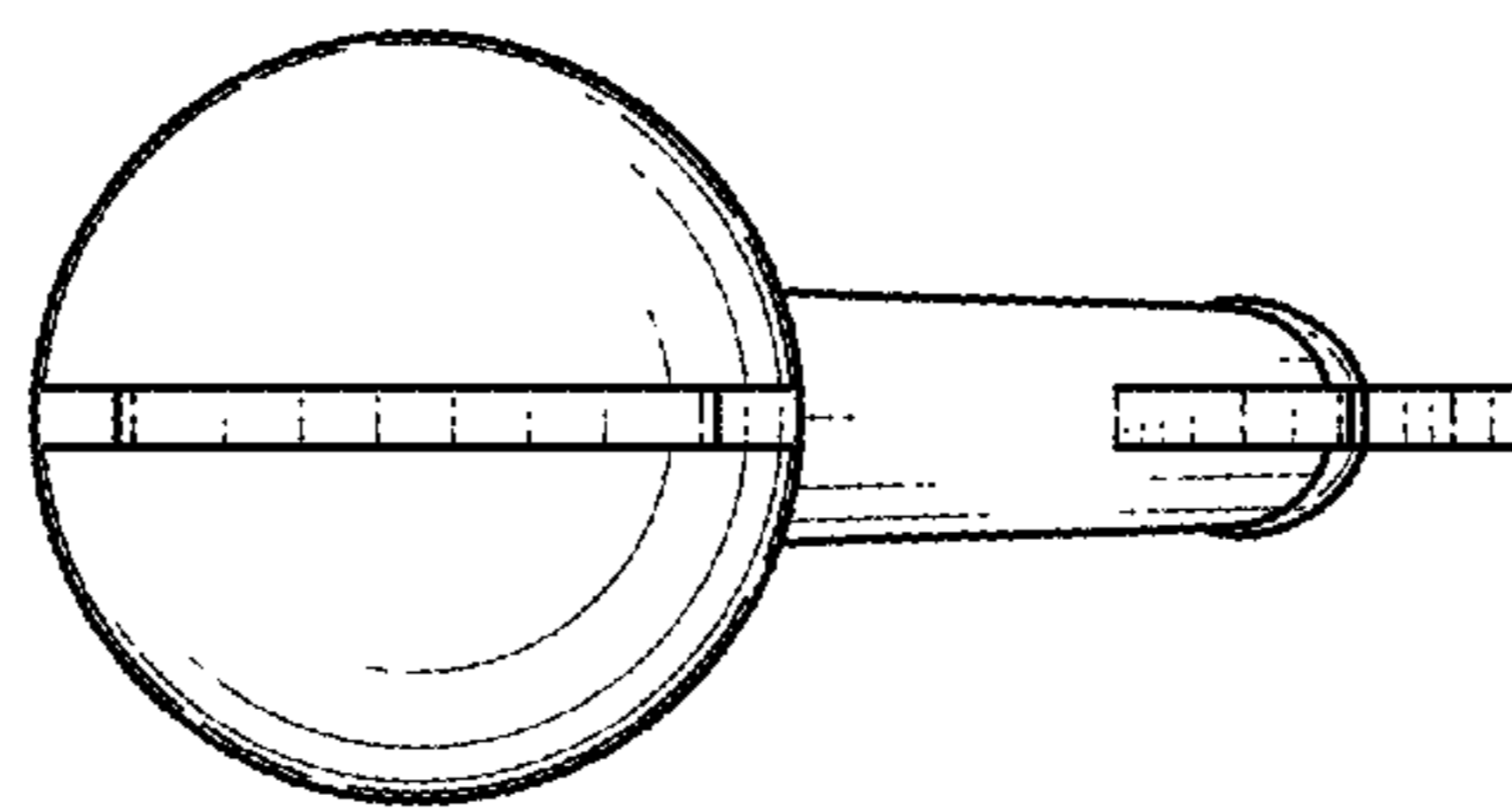


FIG. 7