



US00D898900S

(12) **United States Design Patent** (10) **Patent No.:** **US D898,900 S**
Atterbury et al. (45) **Date of Patent:** **** Oct. 13, 2020**

(54) **DRUG DELIVERY DEVICE**

(71) Applicant: **Eli Lilly and Company**, Indianapolis, IN (US)

(72) Inventors: **William Godwin Atterbury**, Columbus, OH (US); **Brian Charles Kelley**, Pataskala, OH (US); **Mark Lafever**, Indianapolis, IN (US); **Steven Michael Madland**, Columbus, OH (US); **Jessica Diane Young**, Columbus, OH (US)

(73) Assignee: **Eli Lilly and Company**, Indianapolis, IN (US)

D739,011 S * 9/2015 Morrison, Jr. D24/114
D773,650 S * 12/2016 Fourt D24/113
D785,162 S * 4/2017 Swisher D24/114
D814,022 S * 3/2018 Boyaval D24/113
D819,198 S * 5/2018 Boyaval D24/113
D819,200 S * 5/2018 Stonecipher D24/114
D827,127 S * 8/2018 Donnelly D24/113
D861,859 S * 10/2019 Rapp D24/113
D866,757 S * 11/2019 Diluzio D24/133
D868,961 S * 12/2019 Stewart D24/112
2015/0246181 A1 9/2015 Fourt et al.

* cited by examiner

Primary Examiner — David G Muller
(74) *Attorney, Agent, or Firm* — M Daniel Spillman

(**) Term: **15 Years**

(21) Appl. No.: **29/665,397**

(22) Filed: **Oct. 3, 2018**

(51) **LOC (12) Cl.** **24-02**

(52) **U.S. Cl.**
USPC **D24/113**

(58) **Field of Classification Search**
USPC D24/112–114, 108, 133, 130, 127, 186;
606/181, 185; 604/264, 272, 187, 181,
604/184, 227
CPC A61M 5/178; A61M 3/00; A61M 5/20;
A61M 5/31; A61M 5/3146; A61M
5/3129; A61M 5/3148
See application file for complete search history.

(56) **References Cited**
U.S. PATENT DOCUMENTS

8,409,138 B2 4/2013 James et al.
8,734,394 B2 5/2014 Adams et al.

(57) **CLAIM**

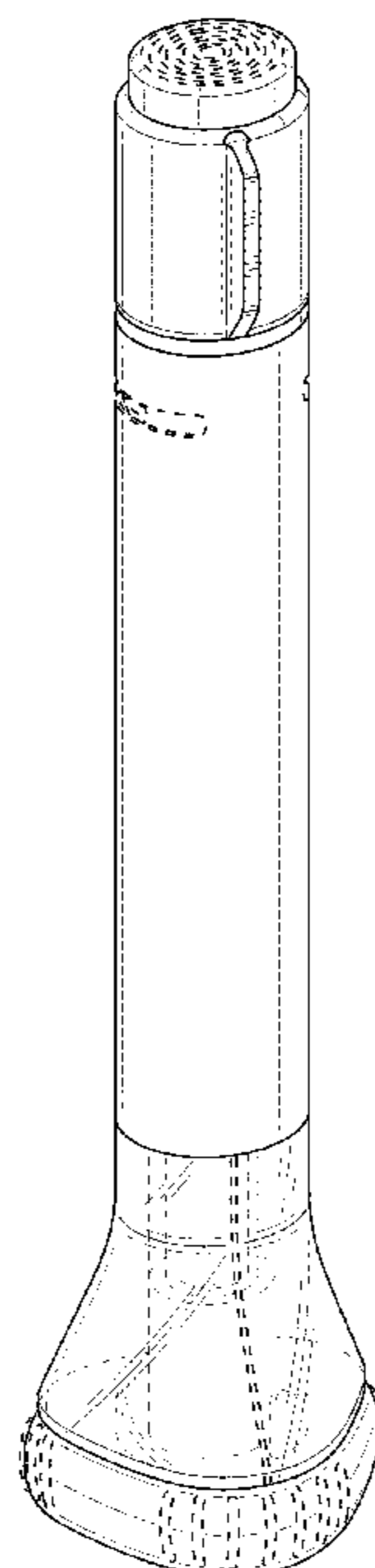
The ornamental design for a drug delivery device, as shown and described.

DESCRIPTION

FIG. 1 is a top, front, left perspective view of a drug delivery device showing the new design;
FIG. 2 is a bottom, rear, right perspective view thereof;
FIG. 3 is a front elevation view thereof;
FIG. 4 is a rear elevation view thereof;
FIG. 5 is a left side elevation view thereof;
FIG. 6 is a right side elevation view thereof;
FIG. 7 is a top plan view thereof; and,
FIG. 8 is a bottom plan view thereof.

The portions depicted in broken lines of uneven length define the unclaimed boundary of the claimed design. The portions depicted in broken lines of even length form no part of the claimed design.

1 Claim, 8 Drawing Sheets



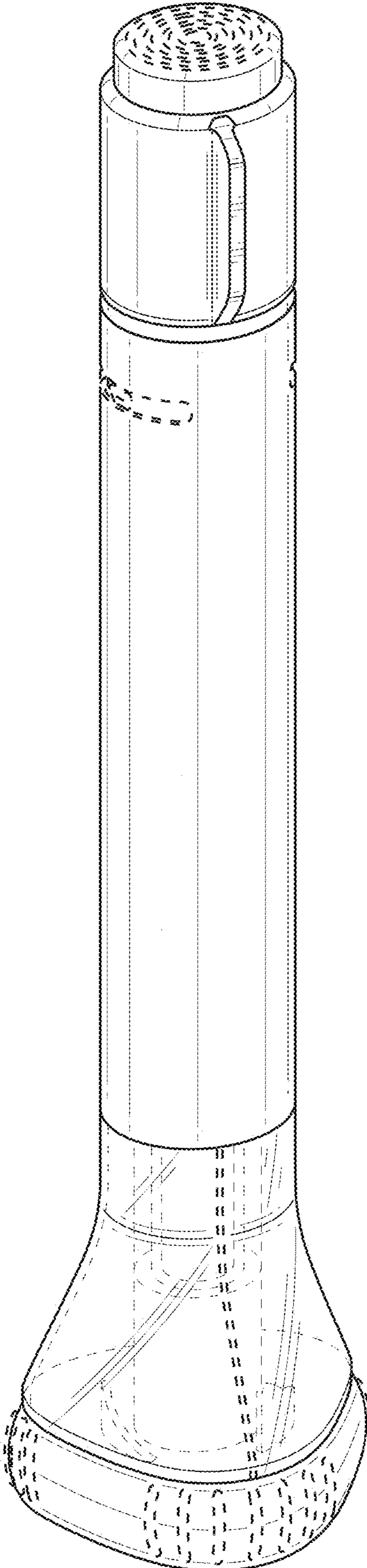


FIG. 1

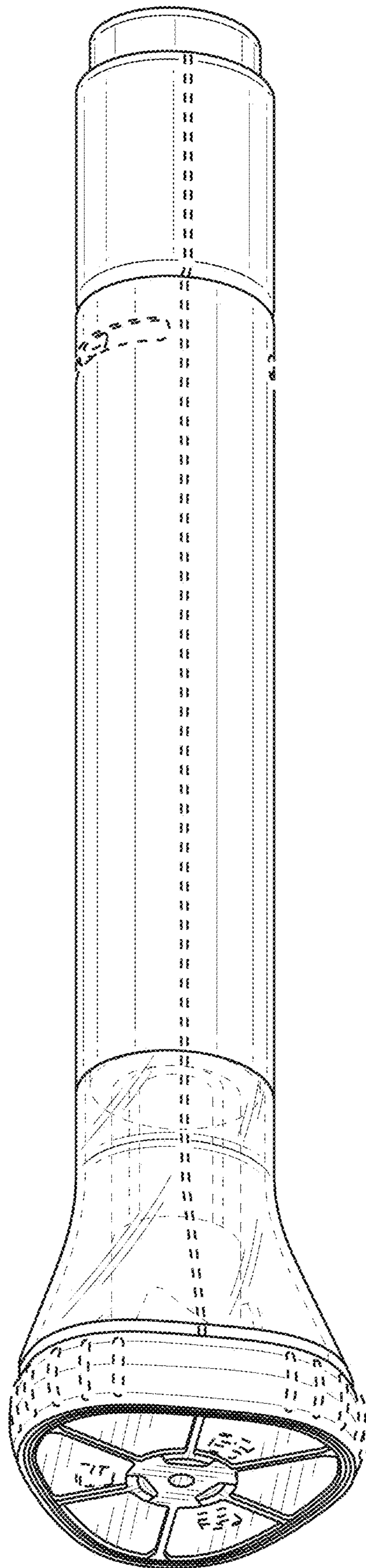


FIG. 2

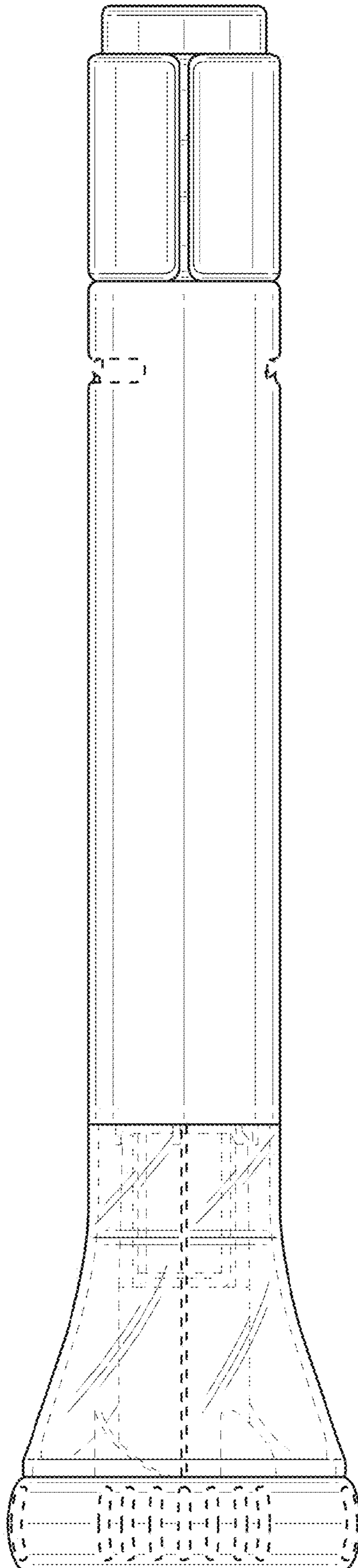


FIG. 3

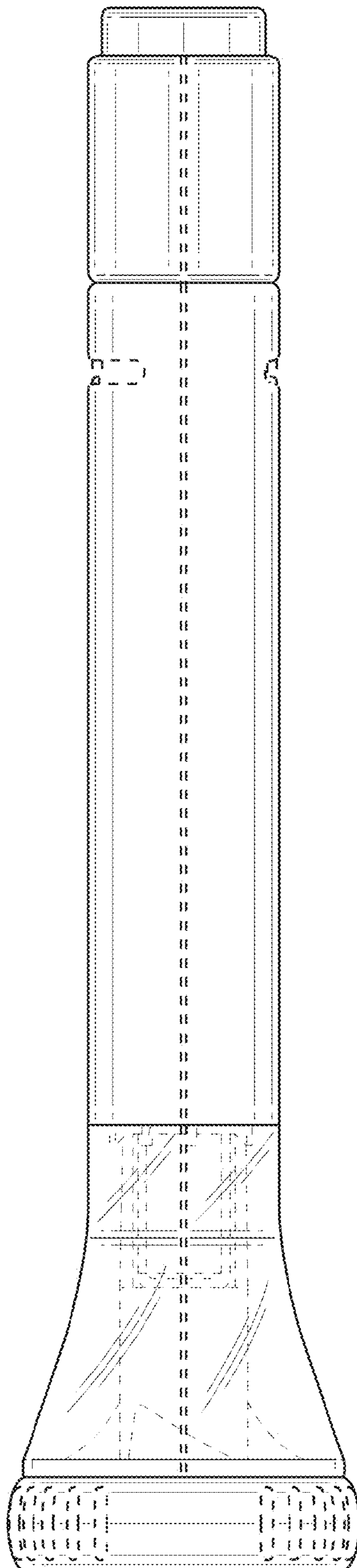


FIG. 4

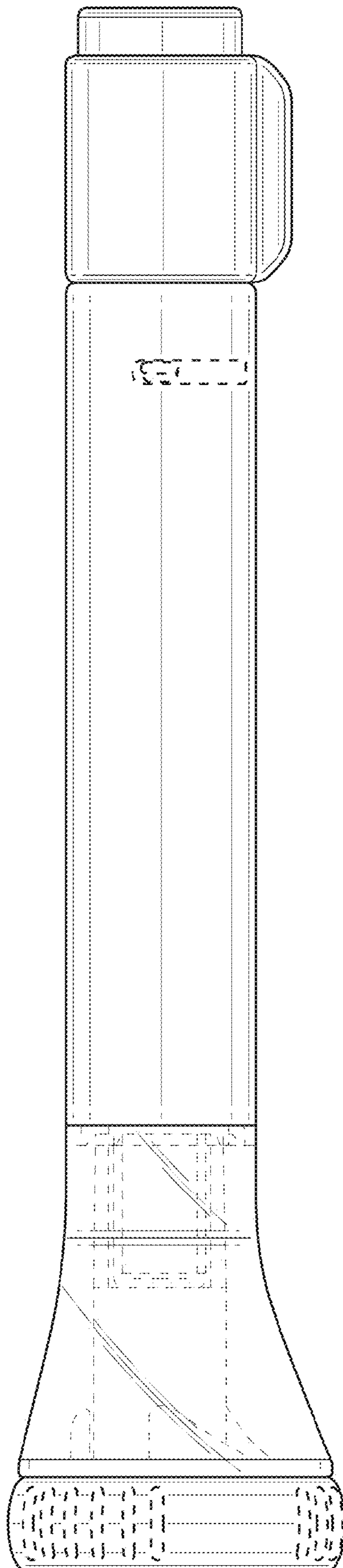


FIG. 5

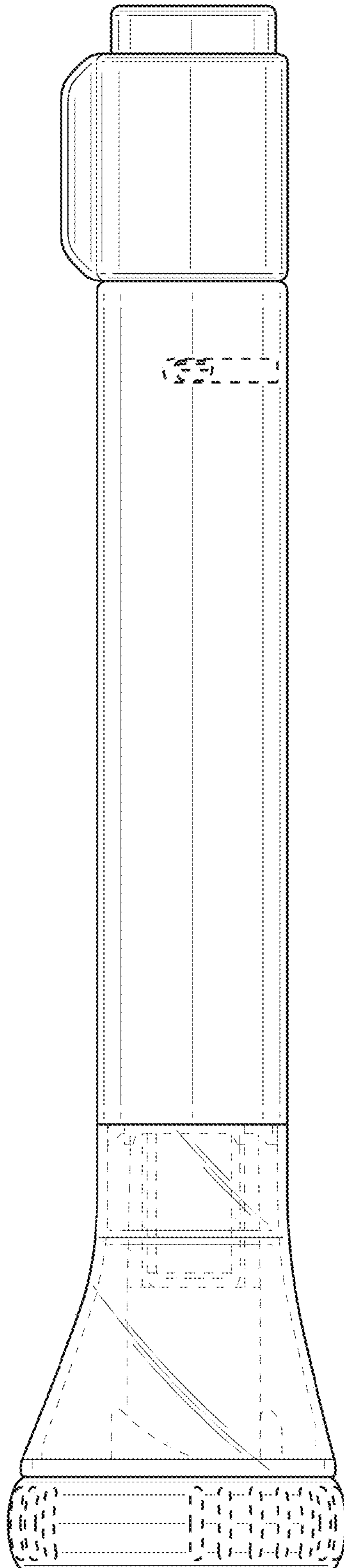


FIG. 6

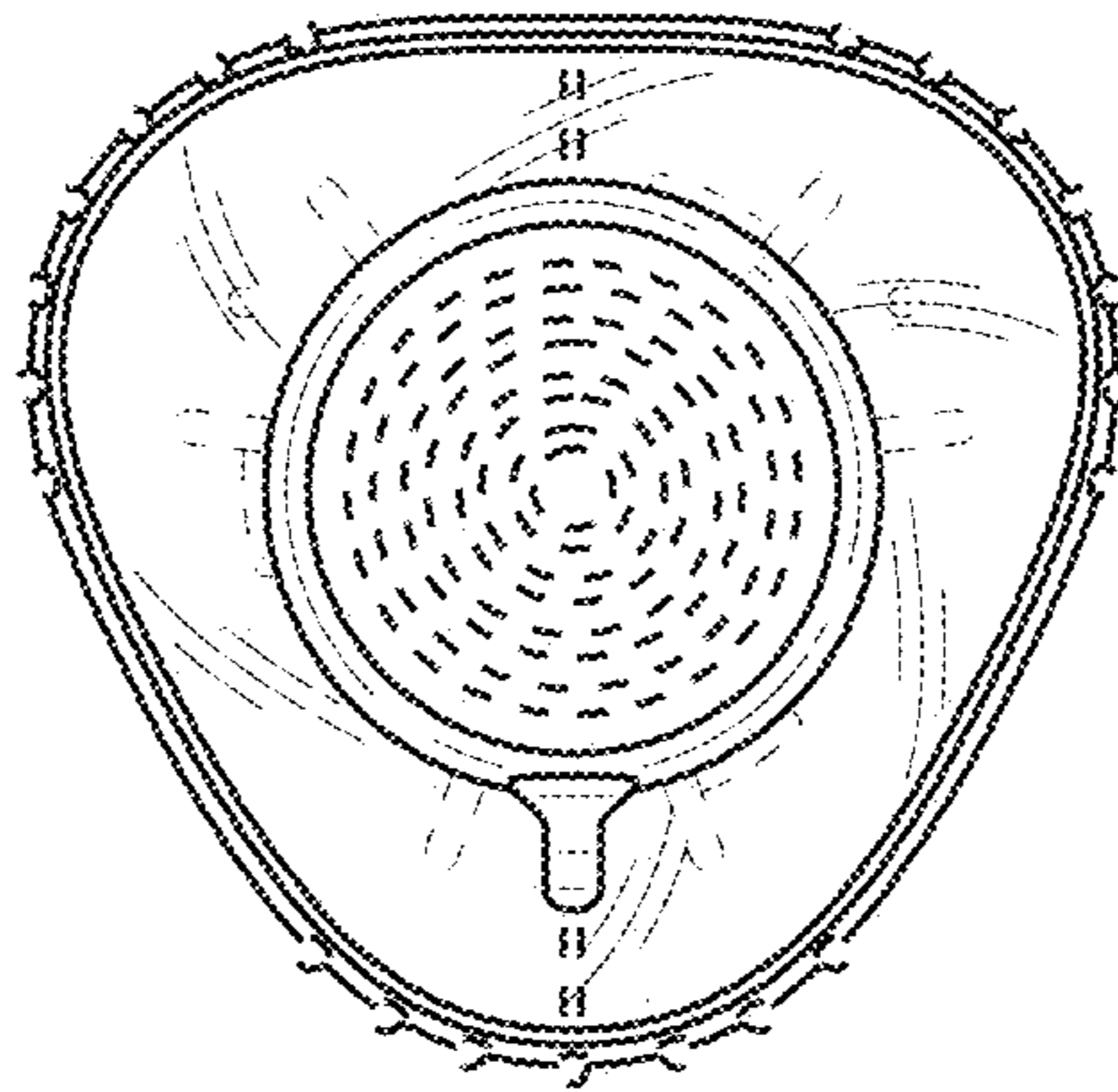


FIG. 7

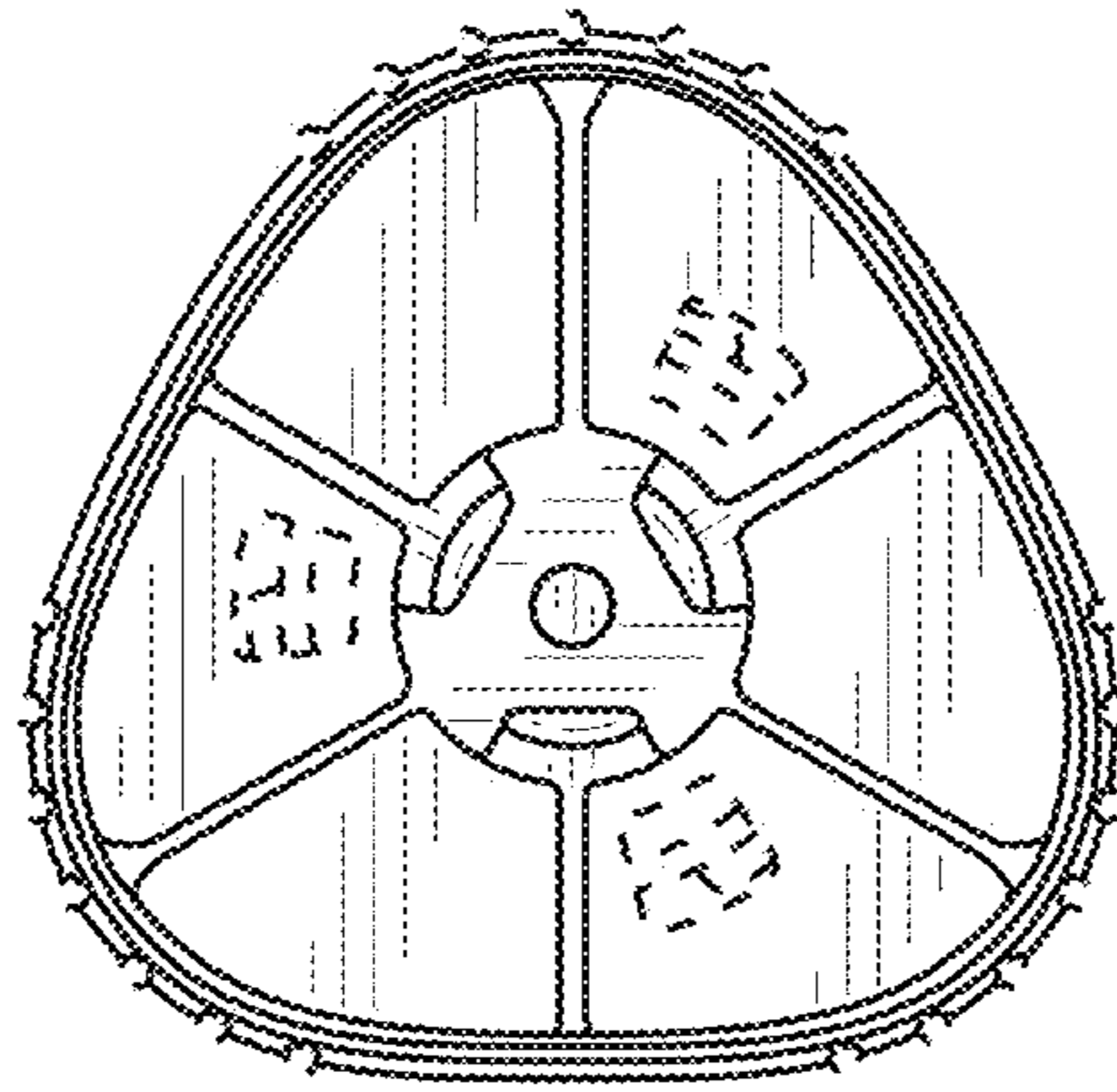


FIG. 8