



US00D898895S

(12) **United States Design Patent**
Wei

(10) **Patent No.:** **US D898,895 S**

(45) **Date of Patent:** **** Oct. 13, 2020**

(54) **AIRCRAFT-SHAPED DESKTOP FAN**

(71) Applicant: **Zhenlian Wei**, Dongguan (CN)

(72) Inventor: **Zhenlian Wei**, Dongguan (CN)

(73) Assignee: **Dongguan LangTu Electronic Technology Co., Ltd**, Dongguan, Guangdong Province (CN)

(**) Term: **15 Years**

(21) Appl. No.: **29/676,661**

(22) Filed: **Jan. 14, 2019**

(51) **LOC (12) Cl.** **23-04**

(52) **U.S. Cl.**
USPC **D23/382**

(58) **Field of Classification Search**
USPC D23/200, 314, 333, 334, 351, 355, 370,
D23/383, 359, 364, 365, 371-373, 376,
D23/381-382, 384-387, 393, 399, 411,
D23/499, 335
CPC F04D 25/08; F04D 25/084; F04D 29/40;
F04D 29/4226; F04D 29/52; F04D 19/00;
F04D 19/002; F04D 29/646
See application file for complete search history.

(56) **References Cited**

U.S. PATENT DOCUMENTS

D104,261 S *	4/1937	Heller	D23/411
D106,594 S *	10/1937	Heller	D23/352
D137,596 S *	4/1944	Green	D23/328
D152,841 S *	2/1949	Thompson et al.	D23/336
D309,474 S *	7/1990	Murai	D19/67
D314,619 S *	2/1991	Beavers	D23/383
D484,586 S *	12/2003	Intravatola	D23/370
D540,455 S *	4/2007	Ferraro, Sr.	D23/383
D642,629 S *	8/2011	Lo	D21/401

D643,477 S *	8/2011	Lo	D21/401
D672,863 S *	12/2012	Romero Carreras	D23/370
D681,184 S *	4/2013	Romero Carreras	D23/370
D764,724 S *	8/2016	Ramsey	D23/383

OTHER PUBLICATIONS

Desktop fan. (Design—© Questel) orbit.com. [online PDF] 10 pgs. Print Dates range Mar. 22, 2019 through Aug. 30, 2019. [retrieved Jun. 8, 2020] <https://www.orbit.com/export/QPTUJ214/pdf2/5d496982-8811-428f-8705-d7b2332a15db-204004.pdf>.*

* cited by examiner

Primary Examiner — Marie D. Fast Horse

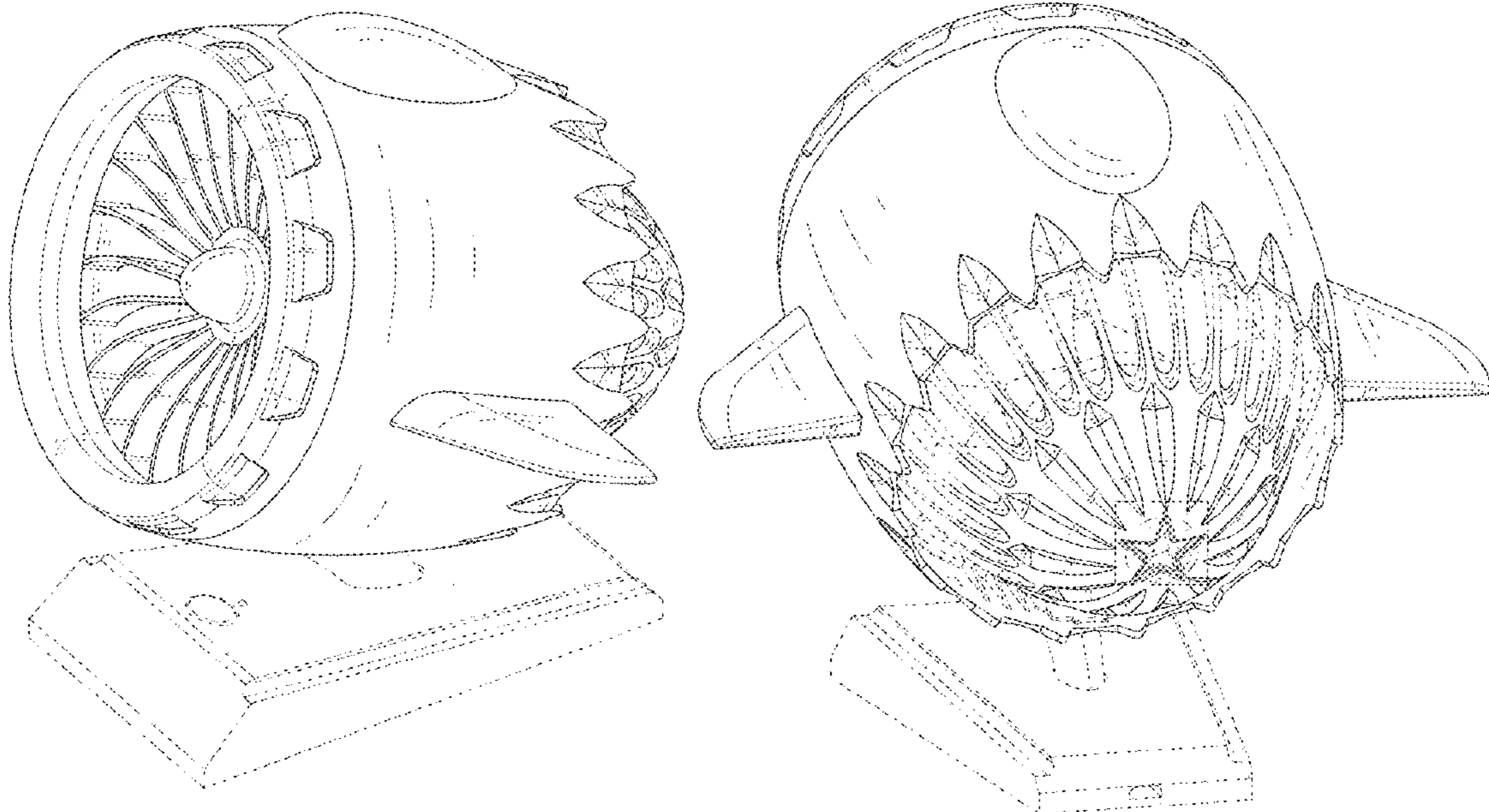
(57) **CLAIM**

The ornamental design for an aircraft-shaped desktop fan, as shown and described.

DESCRIPTION

FIG. 1 is a perspective view of an aircraft-shaped desktop fan showing my new design;
FIG. 2 is a front elevational view of thereof;
FIG. 3 is a rear elevational view thereof;
FIG. 4 is a left side elevational view thereof;
FIG. 5 is a right side elevational view thereof;
FIG. 6 is a top plan view thereof;
FIG. 7 is a bottom plan view thereof;
FIG. 8 is another perspective view thereof;
FIG. 9 is another perspective view thereof;
FIG. 10 is another perspective view thereof;
FIG. 11 is an enlarged view of a portion of FIG. 3; and,
FIG. 12 is an enlarged view of a portion of FIG. 8.
The broken lines consisting of a long dash and a dot depict reference to the enlargements shown in the figures and form no part of the claim; while all other broken lines in the drawings depict portions of the aircraft-shaped desktop fan that form no part of the claimed design.

1 Claim, 11 Drawing Sheets



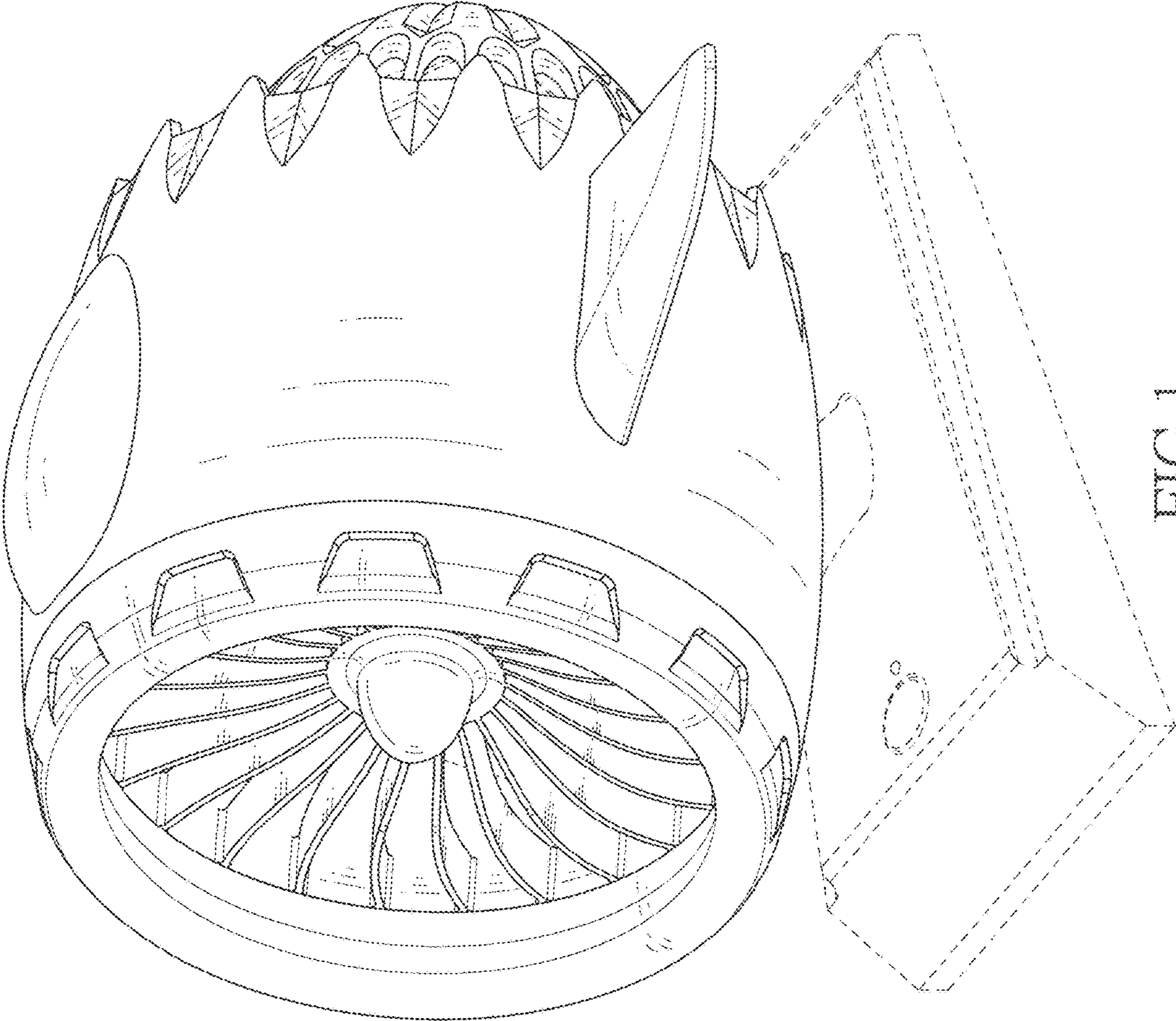


FIG.1

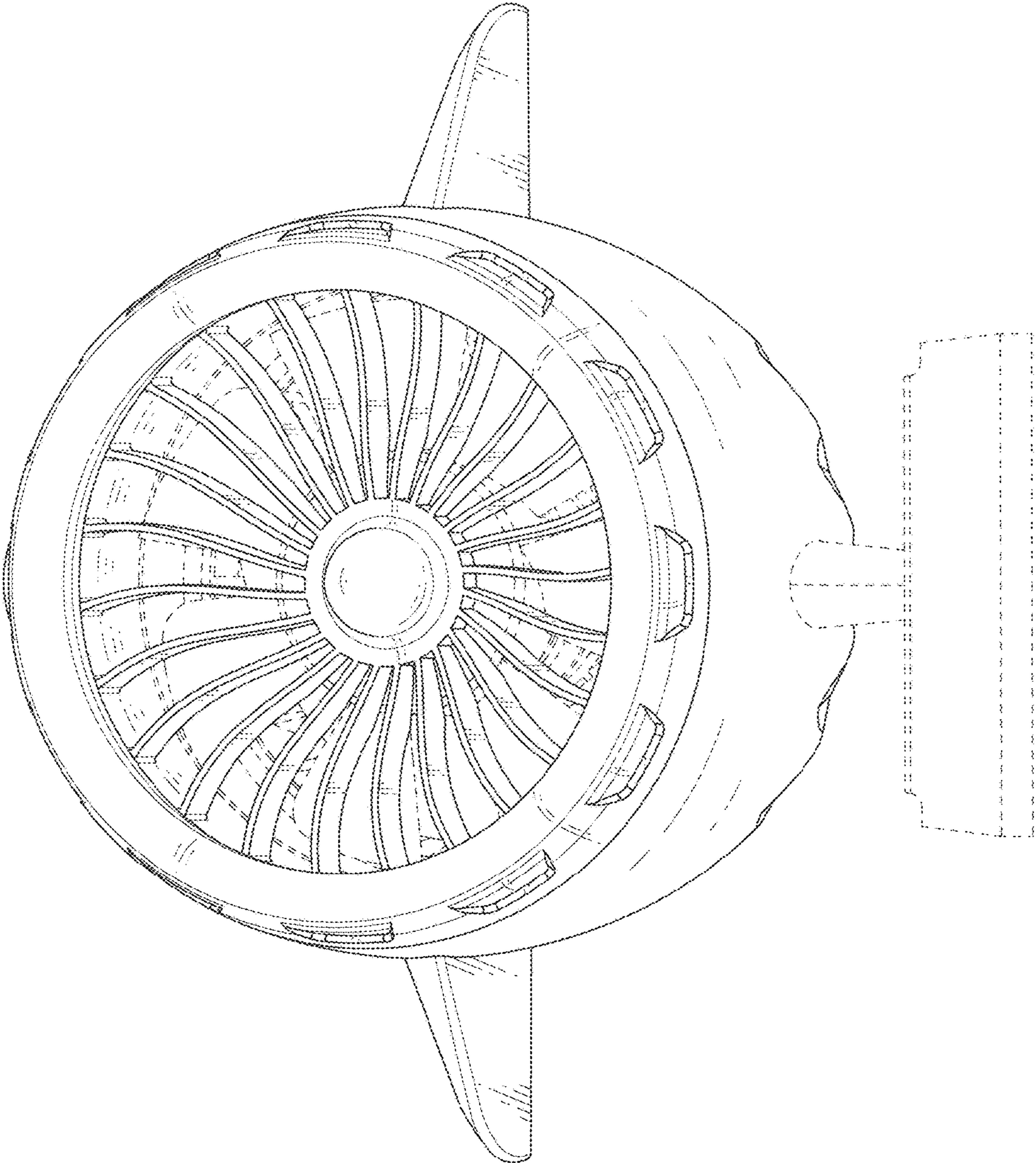


FIG.2

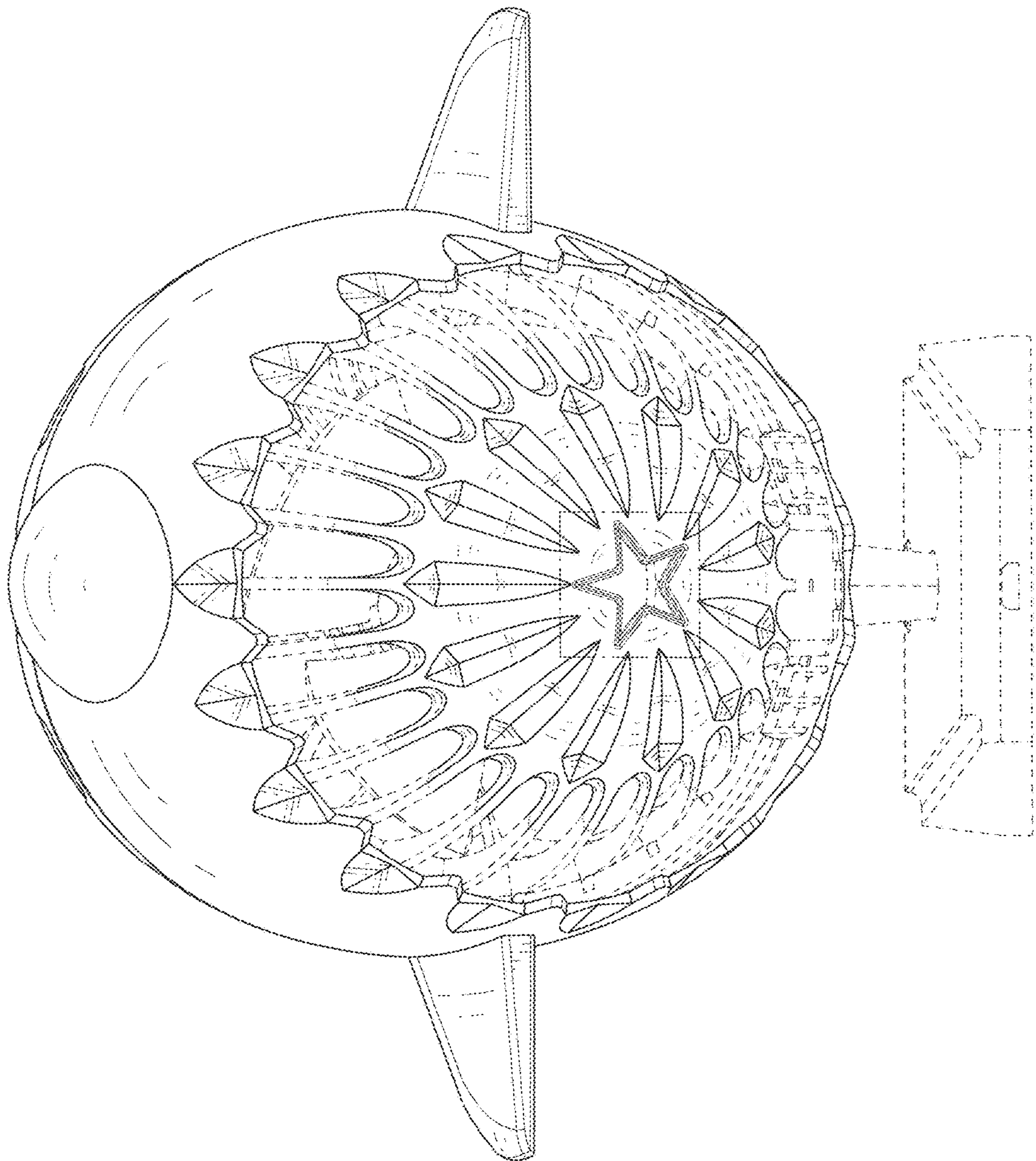


FIG.3

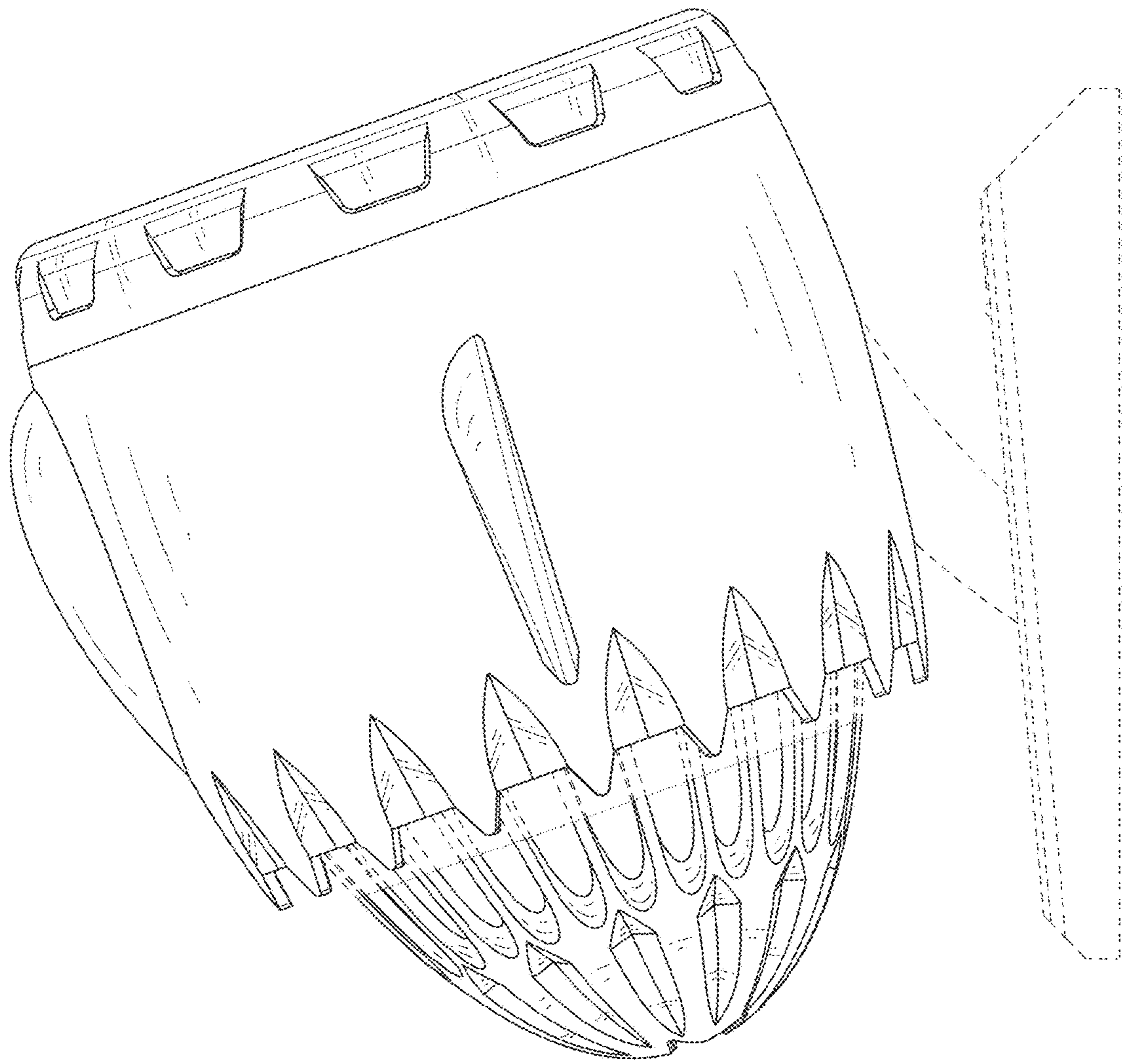


FIG.4

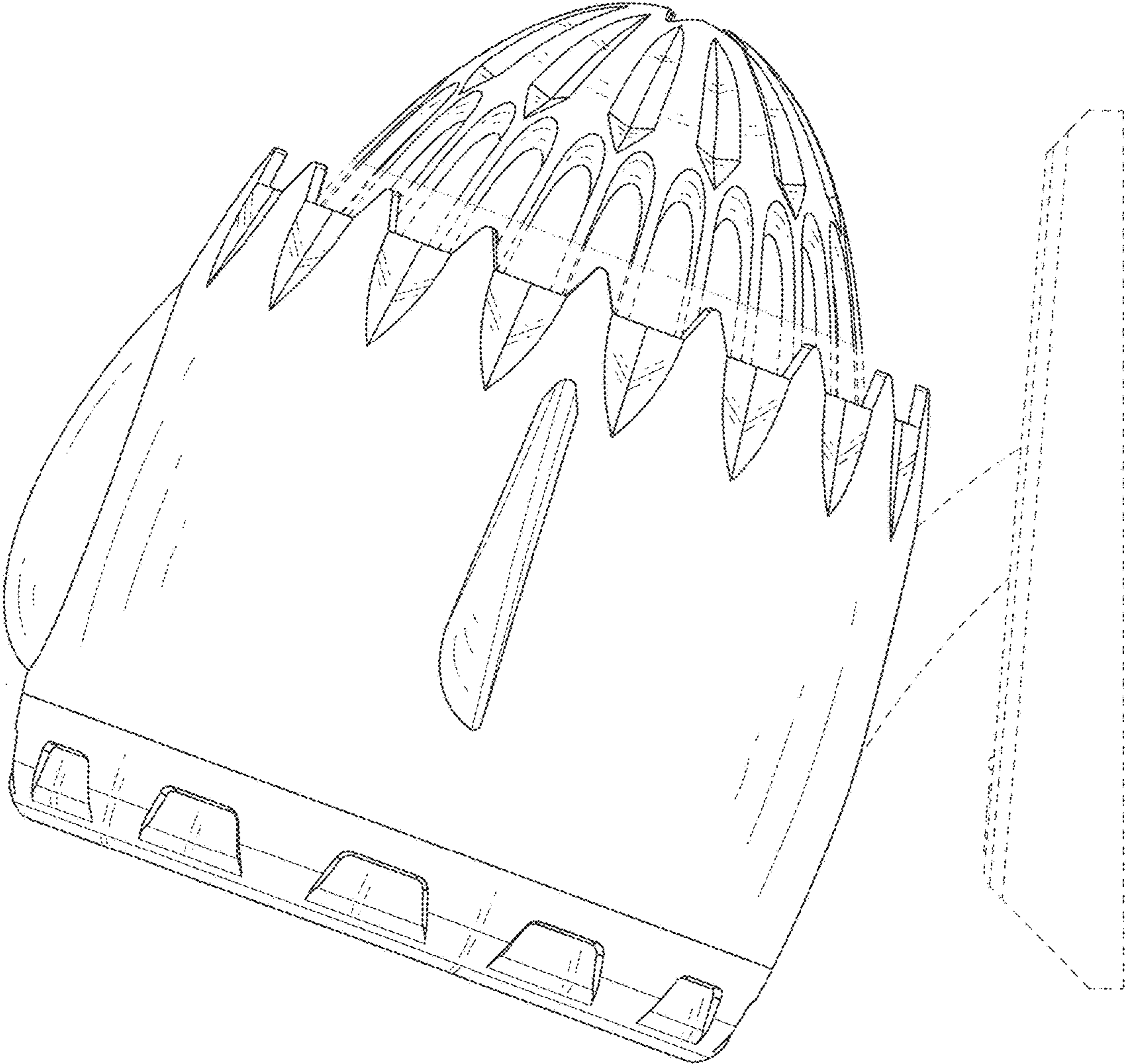


FIG.5

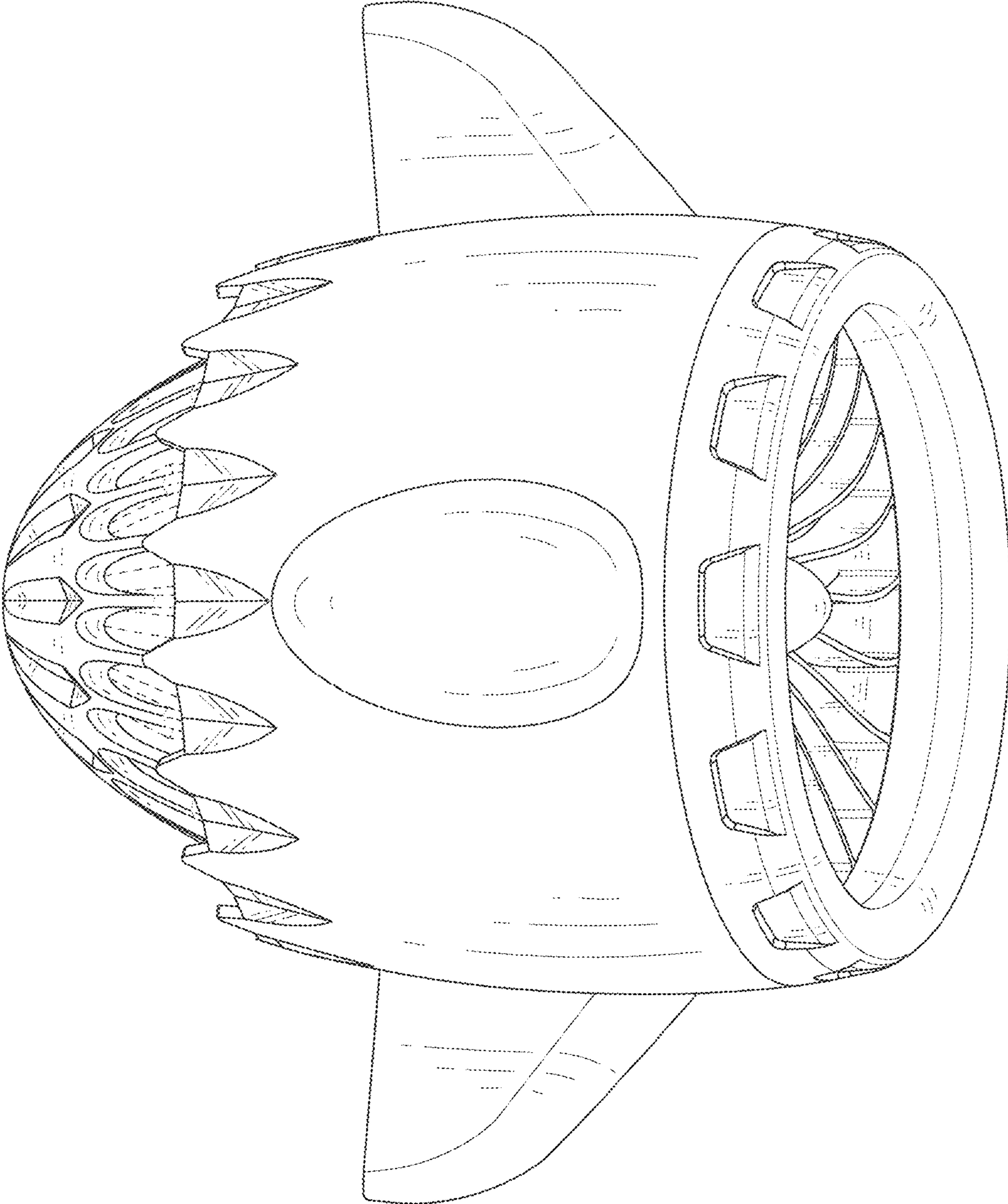


FIG. 6

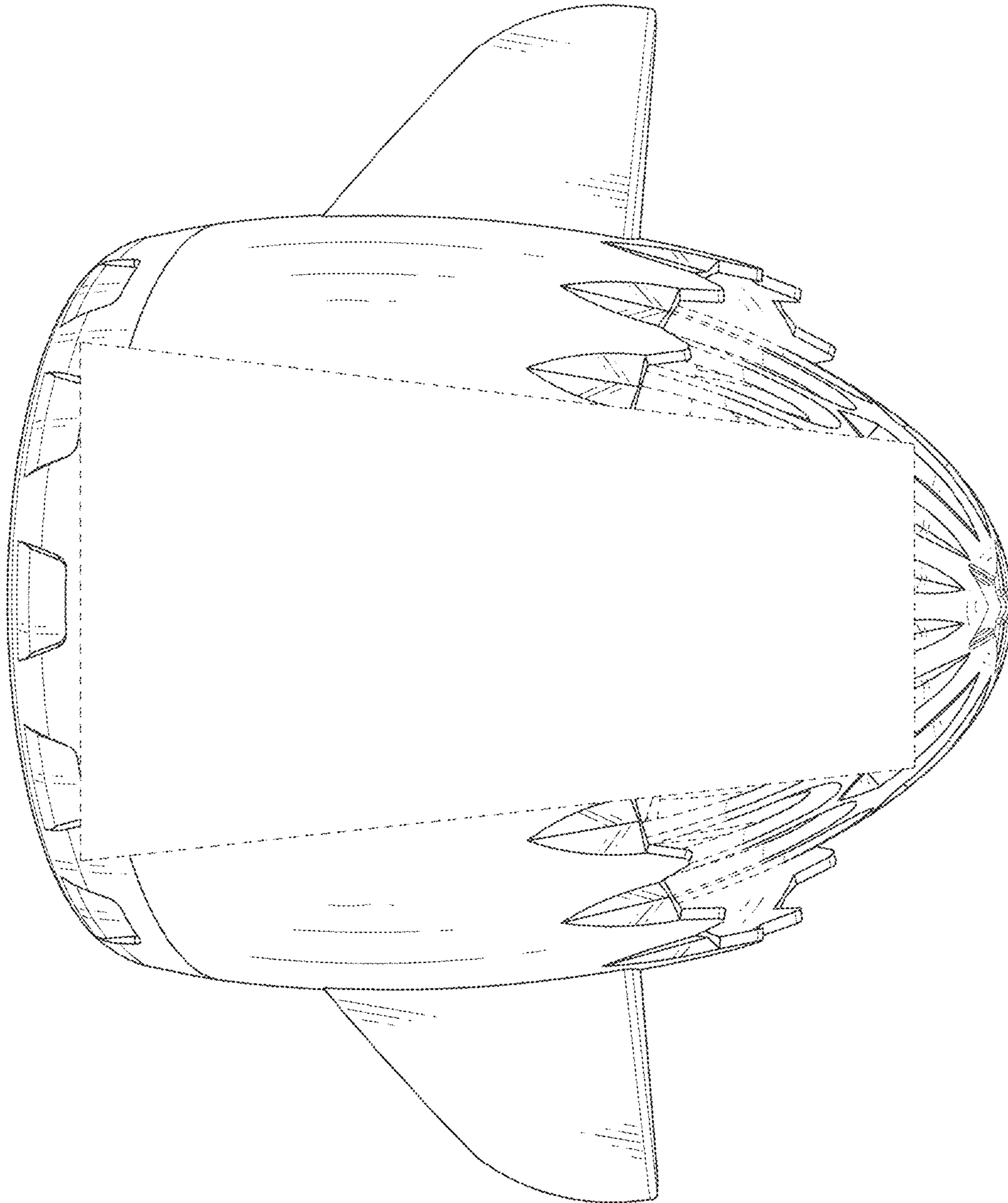


FIG.7

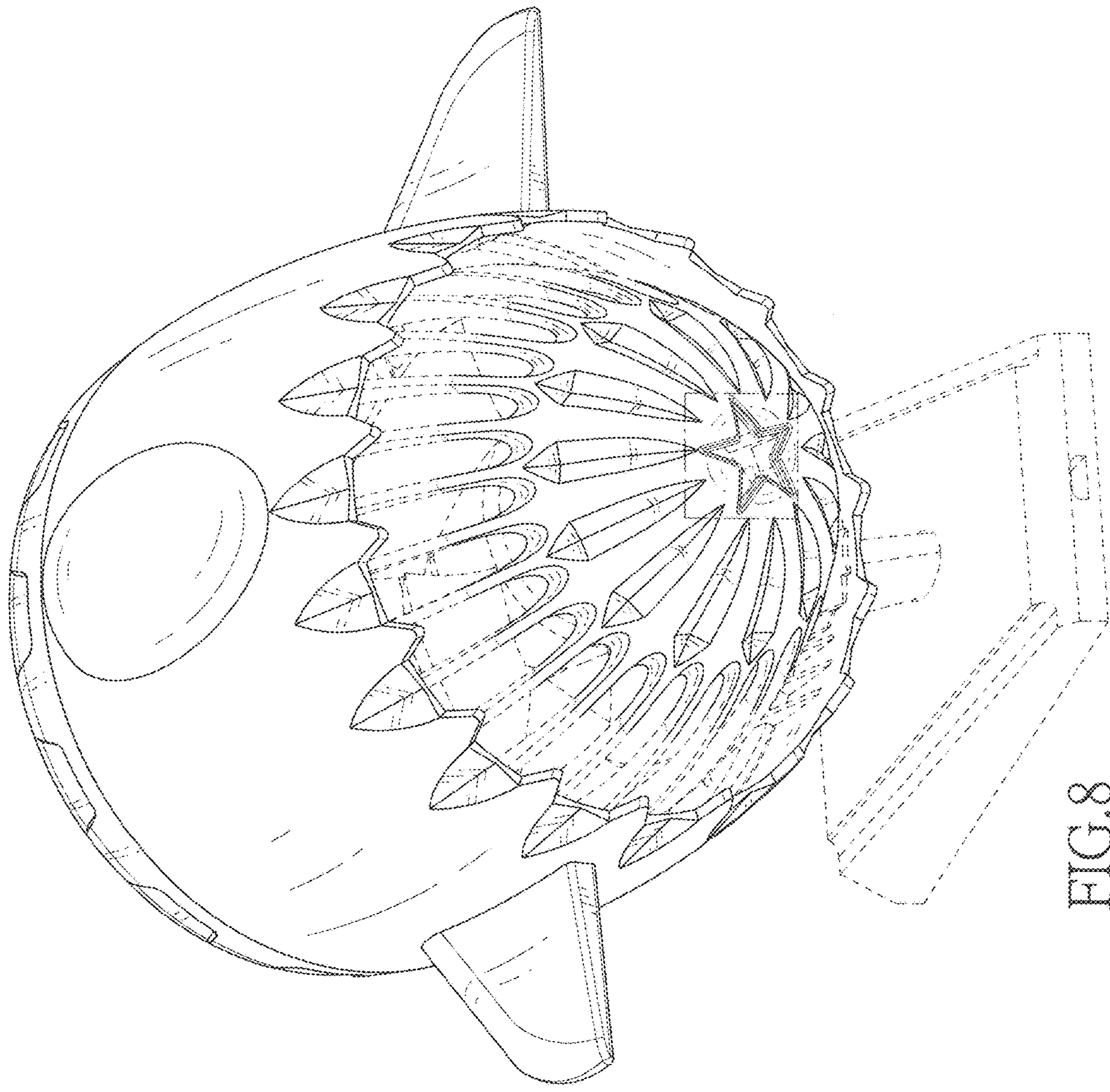


FIG. 8

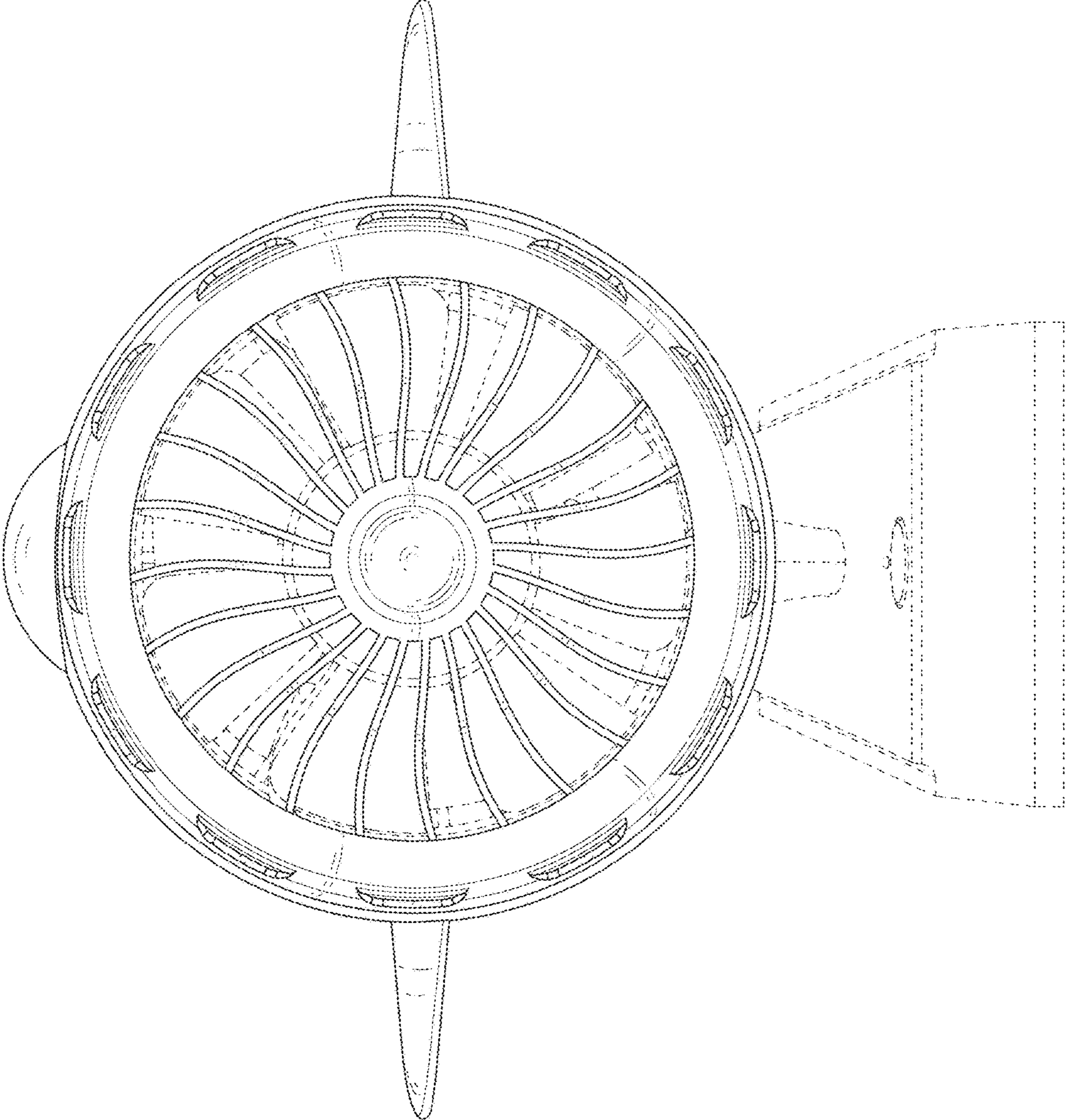


FIG.9

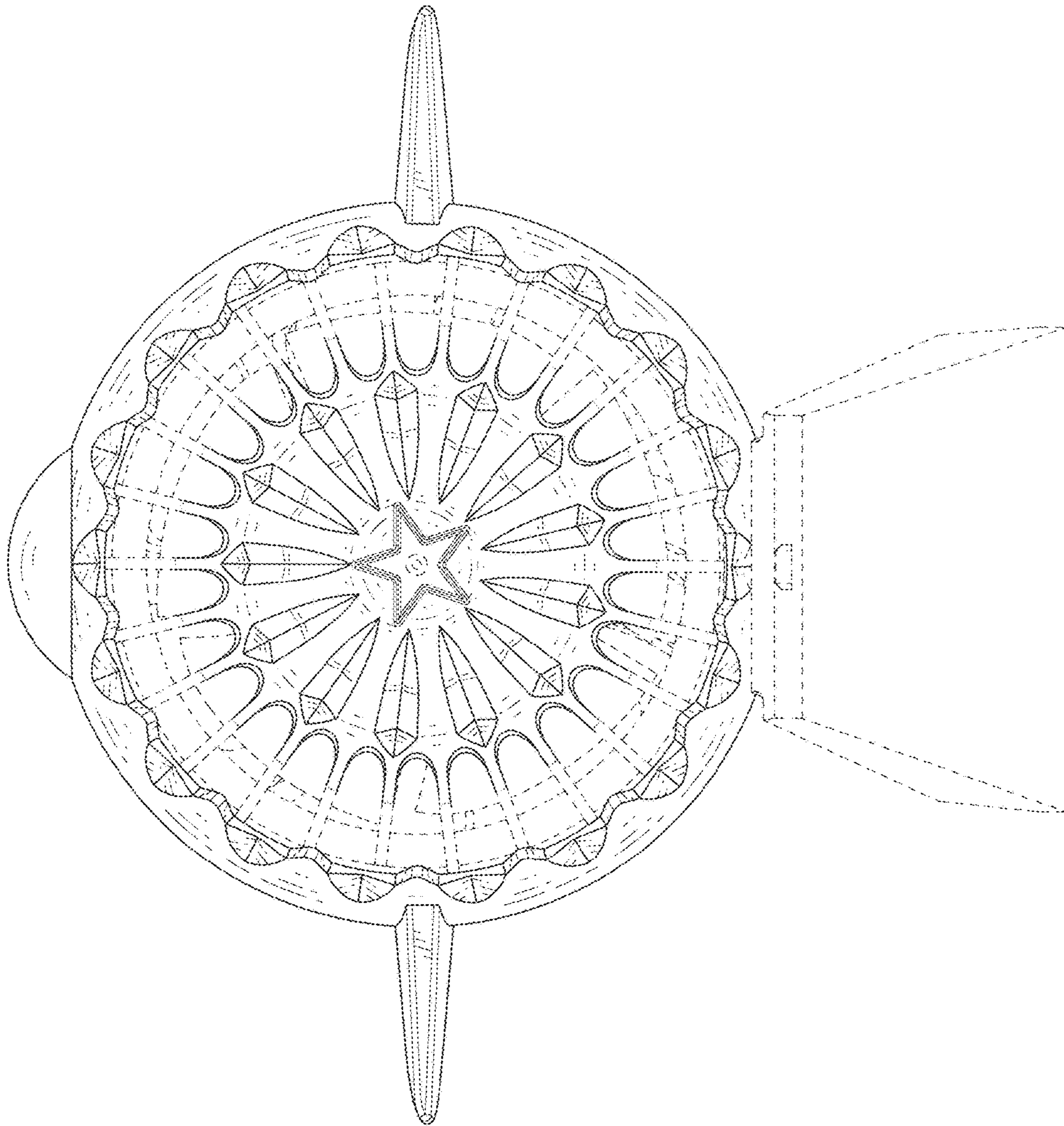


FIG.10

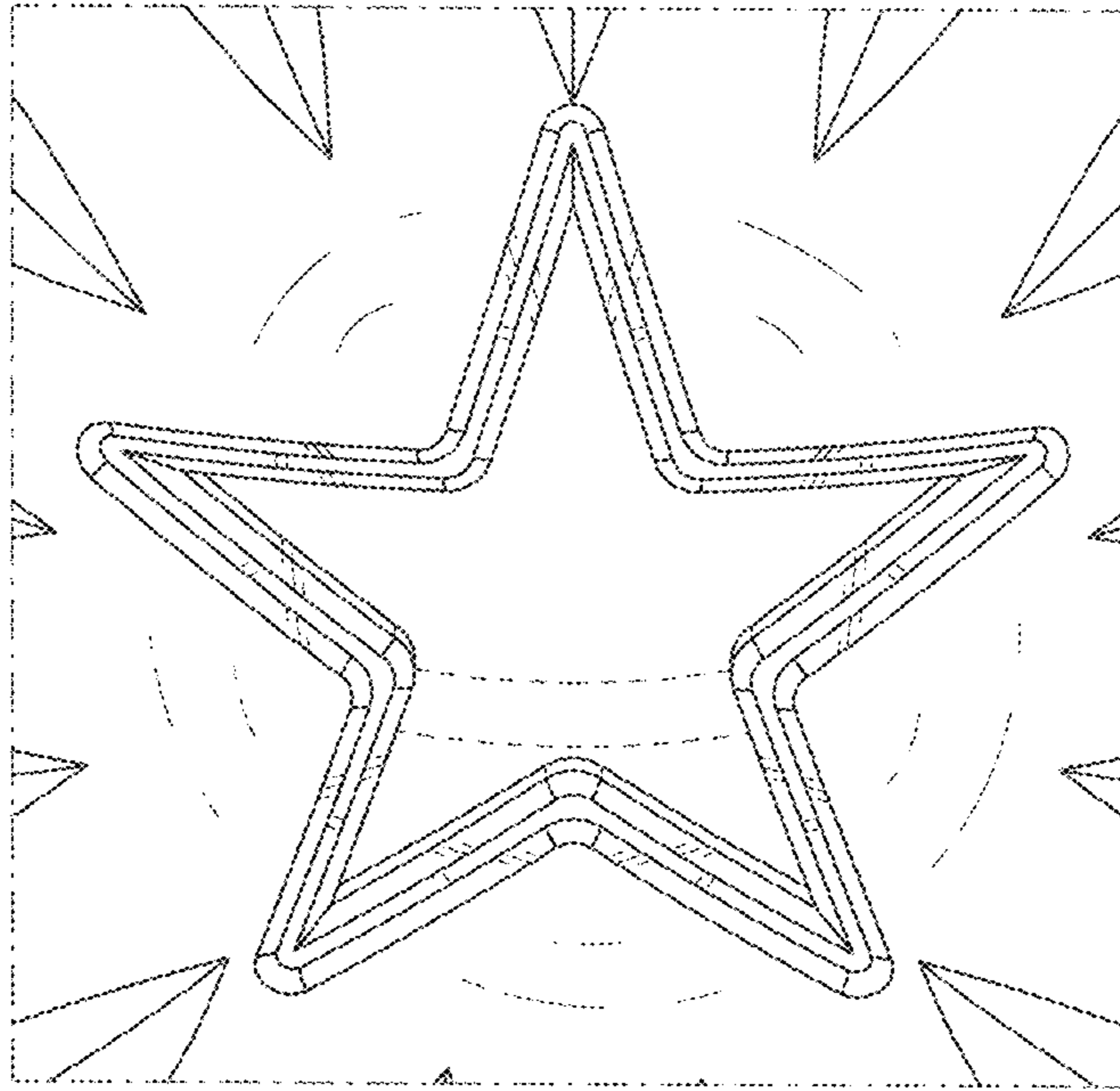


FIG. 11

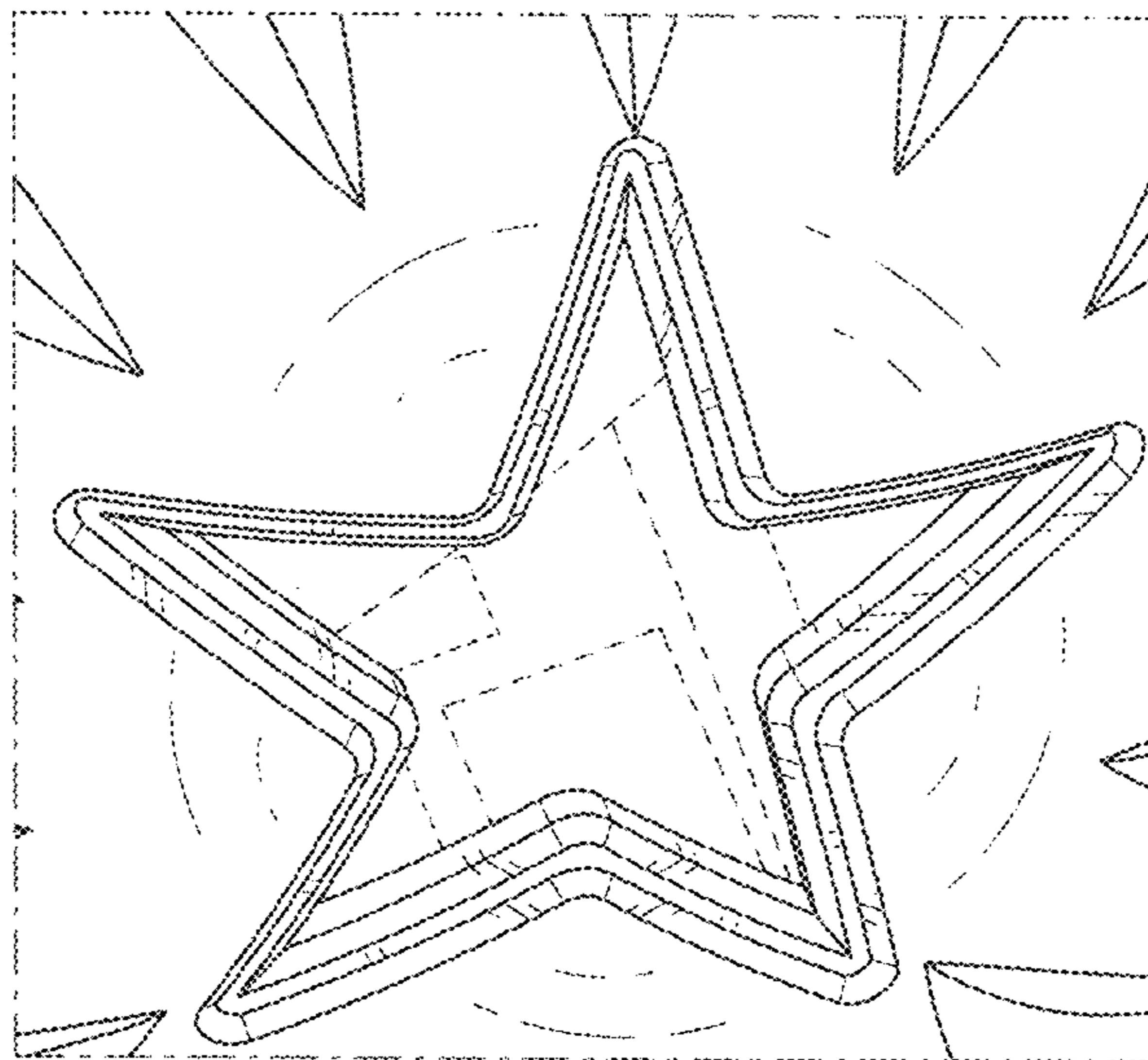


FIG. 12