



US00D898894S

(12) **United States Design Patent** (10) **Patent No.:** **US D898,894 S**
Breit et al. (45) **Date of Patent:** **** Oct. 13, 2020**

(54) **FAN**
(71) Applicant: **O2COOL, LLC**, Chicago, IL (US)
(72) Inventors: **Oliver Breit**, Discovery Bay (HK);
Lars Junker, Kowloon (HK); **Michael Ksiazek**, Burr Ridge, IL (US); **Eric F. Junkel**, Mount Prospect, IL (US)
(73) Assignee: **O2COOL, LLC**, Chicago, IL (US)

D597,195 S 7/2009 Zhuang
D610,671 S 2/2010 Zhuang et al.
D674,476 S 1/2013 Junkel et al.
D674,888 S 1/2013 Kawase et al.
D684,249 S 6/2013 Herbst
D689,599 S 9/2013 Herbst
D689,600 S 9/2013 Herbst
D721,431 S 1/2015 Herbst et al.
D807,487 S 1/2018 Delerue
D824,012 S * 7/2018 Xu D23/382

(**) Term: **15 Years**

OTHER PUBLICATIONS

(21) Appl. No.: **29/675,200**
(22) Filed: **Dec. 28, 2018**
(51) **LOC (12) Cl.** **23-04**
(52) **U.S. Cl.**
USPC **D23/382**
(58) **Field of Classification Search**
USPC D23/200, 314, 333, 334, 351, 355, 370,
D23/383, 359, 364, 365, 371-373, 376,
D23/381-382, 384-387, 393, 399, 411,
D23/499, 335
CPC F04D 25/08; F04D 25/084; F04D 29/40;
F04D 29/4226; F04D 29/52; F04D 19/00;
F04D 19/002
See application file for complete search history.

Portable Fans. (Design—© Questel) orbit.com. [online PDF] 67 pgs. Print Dates range Feb. 12, 2014 through Dec. 20, 2019. [retrieved Jun. 8, 2020] <https://www.orbit.com/export/QPTUJ214/pdf2/44b37499-132e-4911-add3-65856542bd66-181447.pdf>.*

Primary Examiner — Marie D. Fast Horse
(74) *Attorney, Agent, or Firm* — Thompson Coburn LLP

(56) **References Cited**

U.S. PATENT DOCUMENTS

D387,151 S 12/1997 Fok
D387,153 S 12/1997 Fok
D387,422 S * 12/1997 Radtke D23/328
D429,326 S 8/2000 Fok
D435,899 S 1/2001 Melwani
D449,373 S 10/2001 Pinchuk
D458,361 S 6/2002 Melwani
D464,420 S 10/2002 Tolar
D510,994 S 10/2005 Indio Da Costa
D564,084 S 3/2008 Chen
D566,260 S 4/2008 Chen

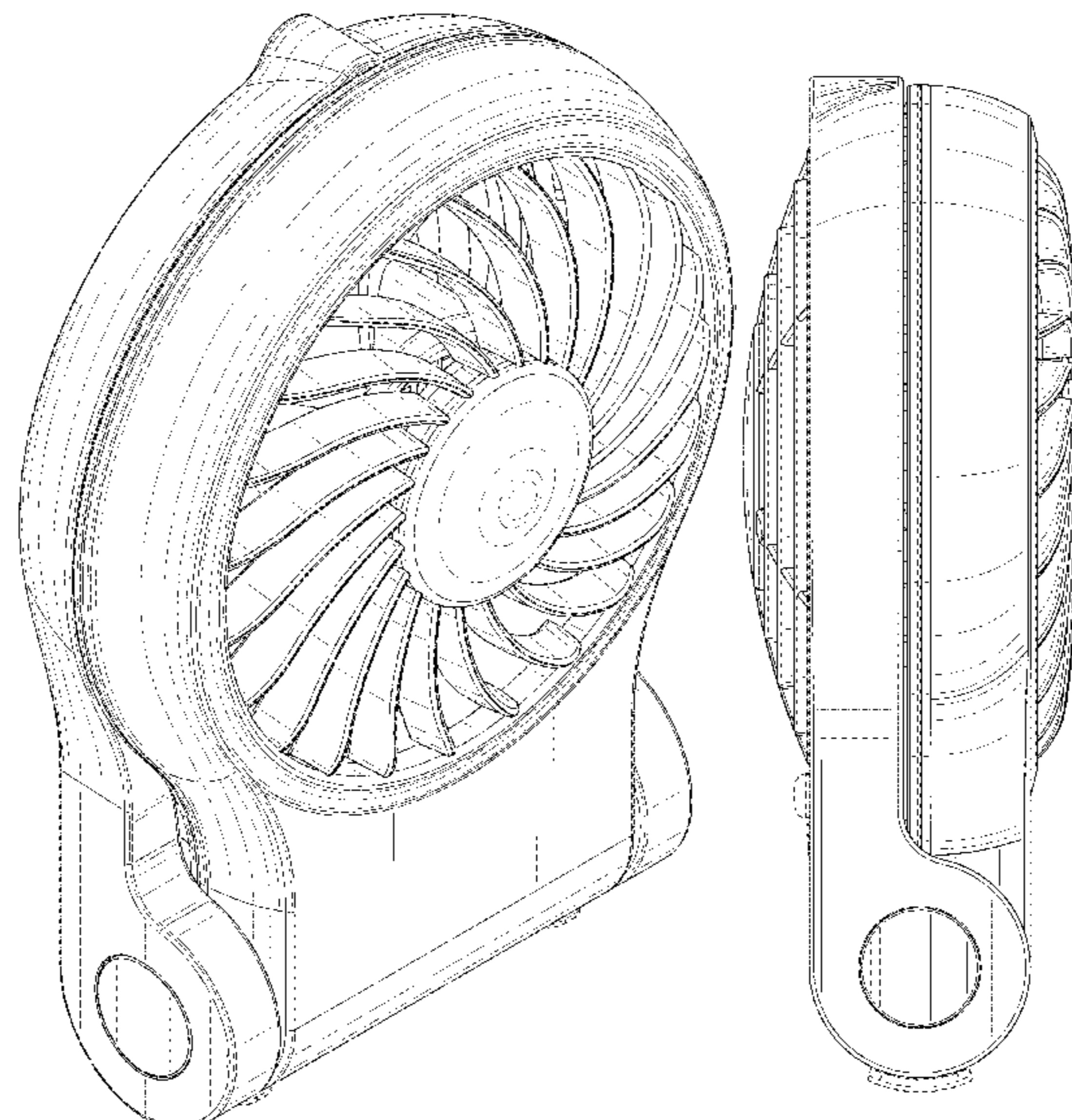
(57) **CLAIM**

The ornamental design for a fan, as shown and described.

DESCRIPTION

FIG. 1 is a first perspective view of the fan showing our new design;
FIG. 2 is a second perspective view thereof;
FIG. 3 is a front view thereof;
FIG. 4 is a rear view thereof;
FIG. 5 is a right side view thereof;
FIG. 6 is a left side view thereof;
FIG. 7 is a top view thereof; and,
FIG. 8 is a bottom view thereof.
The broken lines immediately adjacent the shaded areas represent the bounds of the claimed design while all other broken lines are directed to environment and are for illustrative purposes only; the broken lines form no part of the claimed design.

1 Claim, 8 Drawing Sheets



(56)

References Cited

U.S. PATENT DOCUMENTS

D825,048	S	8/2018	Breit et al.	
D841,796	S *	2/2019	Freeland	D23/382
D855,171	S *	7/2019	Xu	D23/382
D862,679	S *	10/2019	Zhou	D23/380
10,436,206	B2 *	10/2019	Freeland	F04D 29/601
D881,371	S *	4/2020	Hollinger	D23/382
D884,146	S *	5/2020	Hollinger	D23/382
2013/0108481	A1	5/2013	Hoye	

* cited by examiner

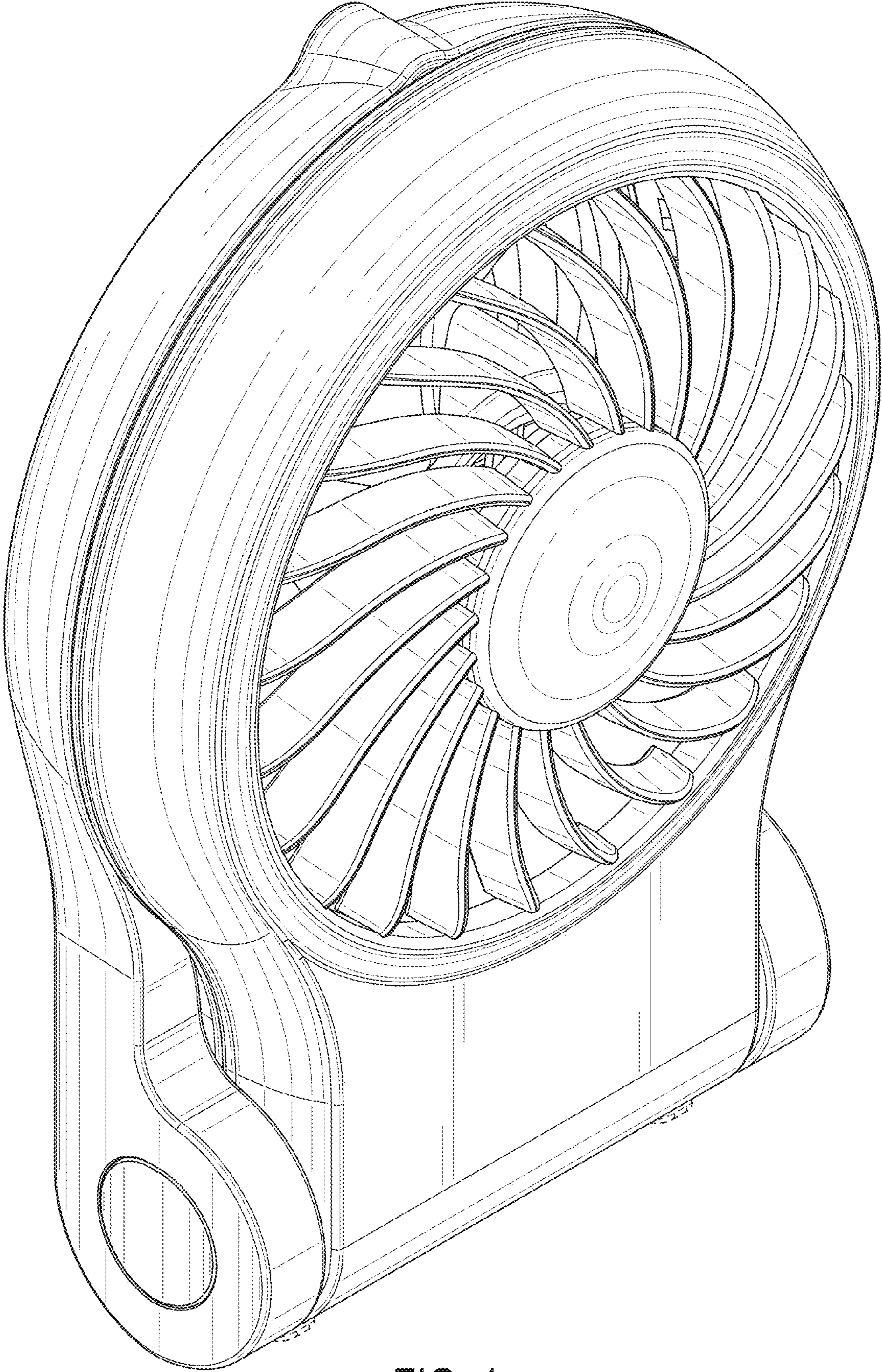


FIG. 1

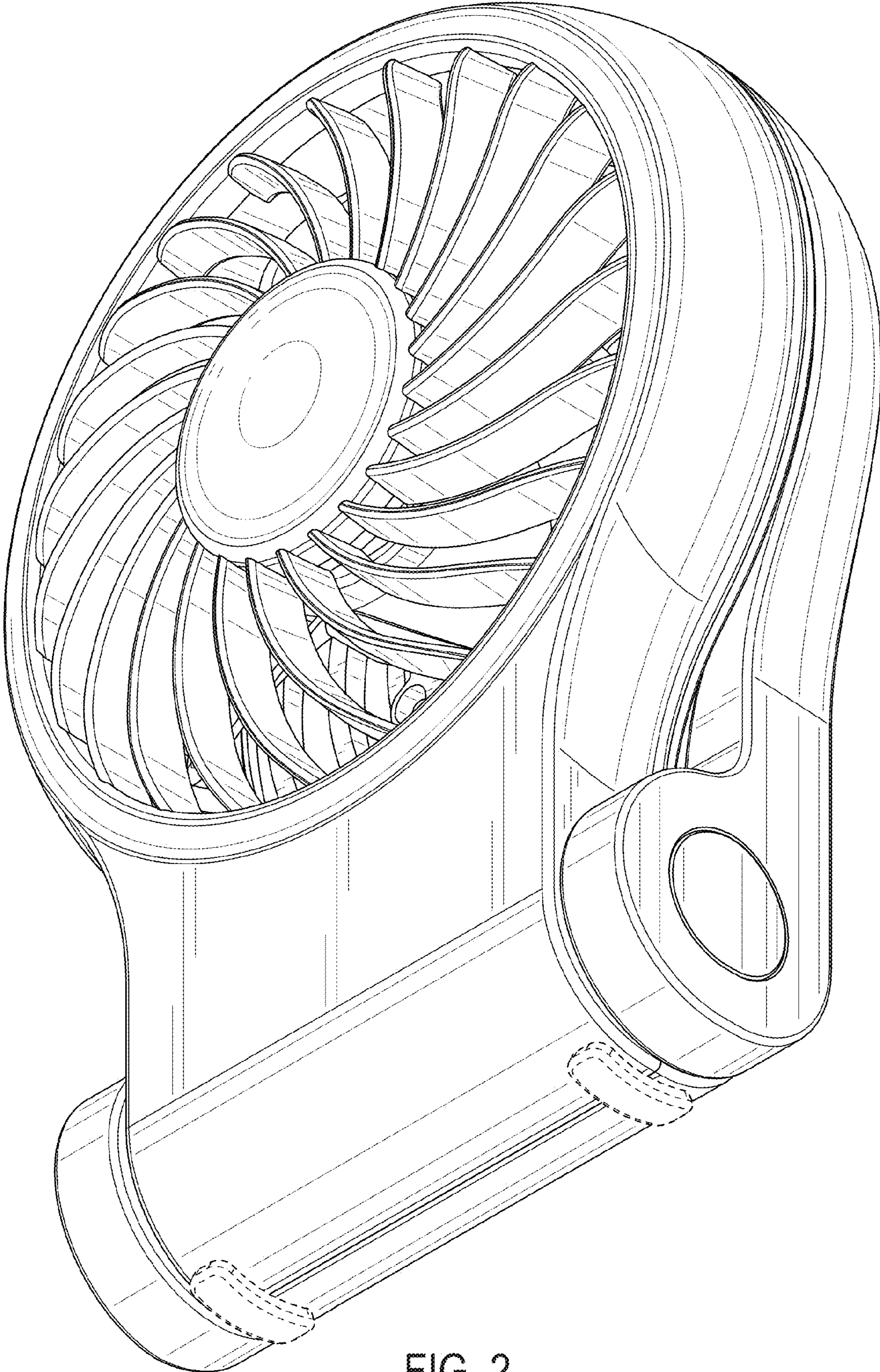


FIG. 2

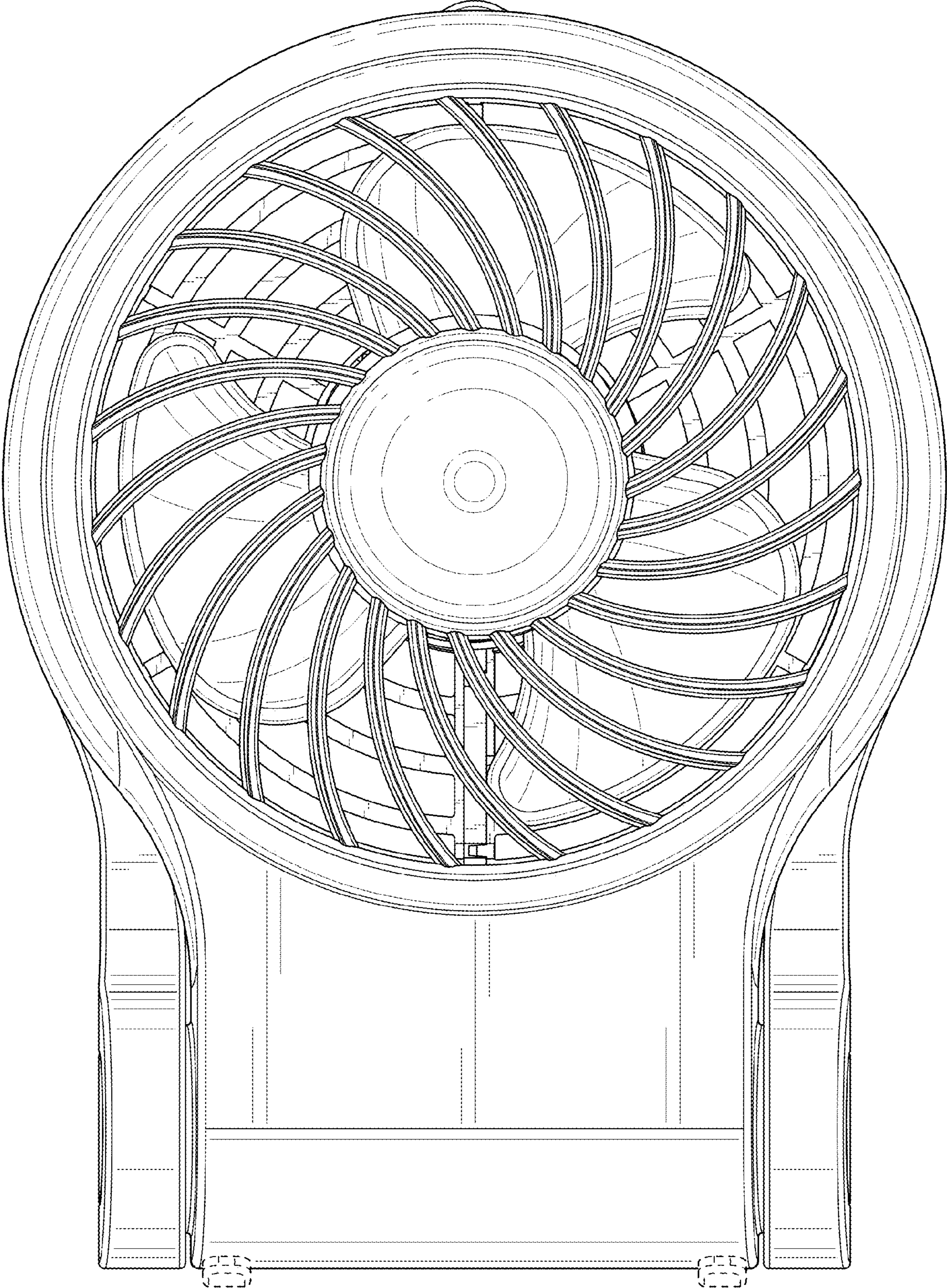


FIG. 3

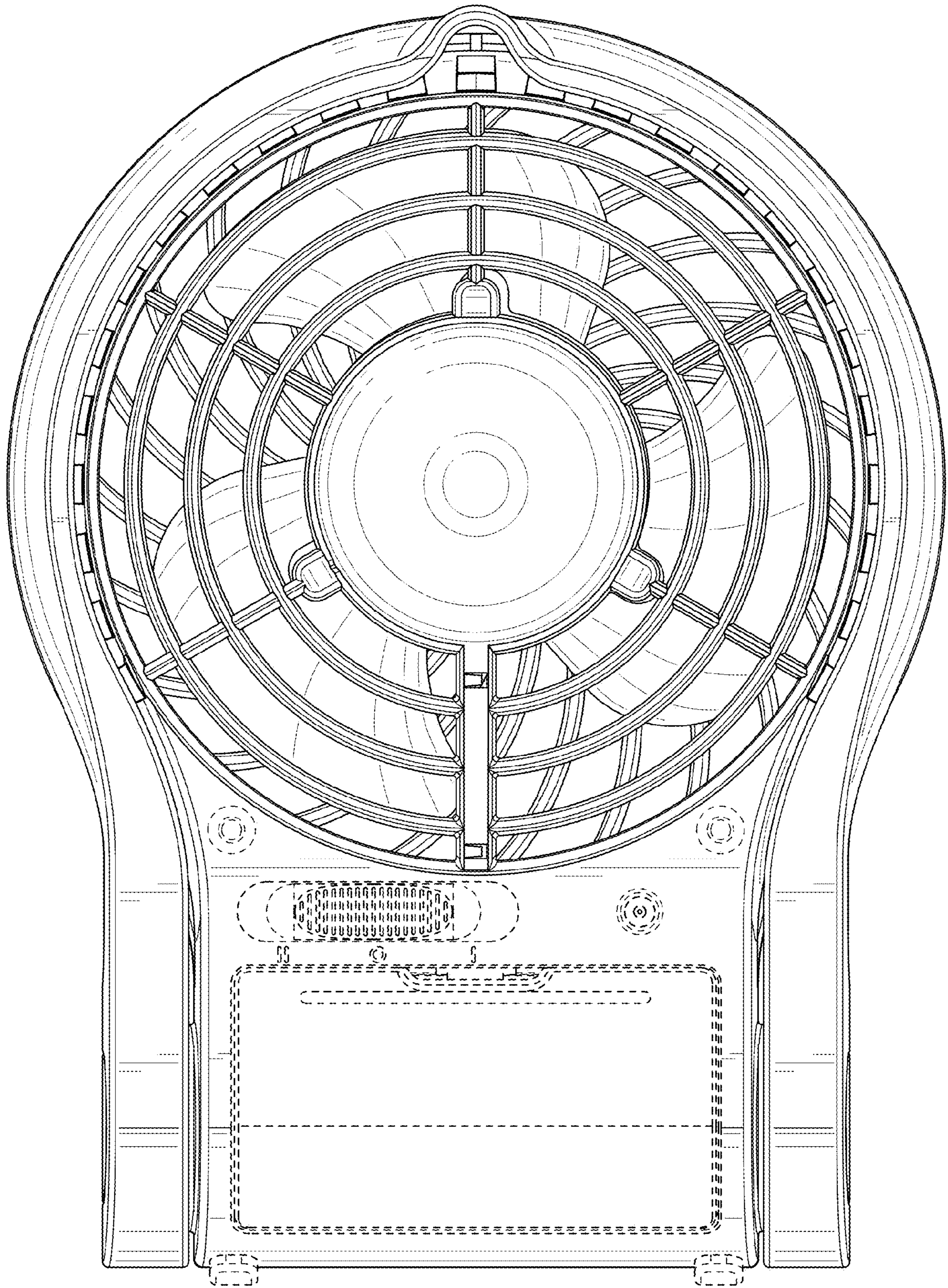


FIG. 4

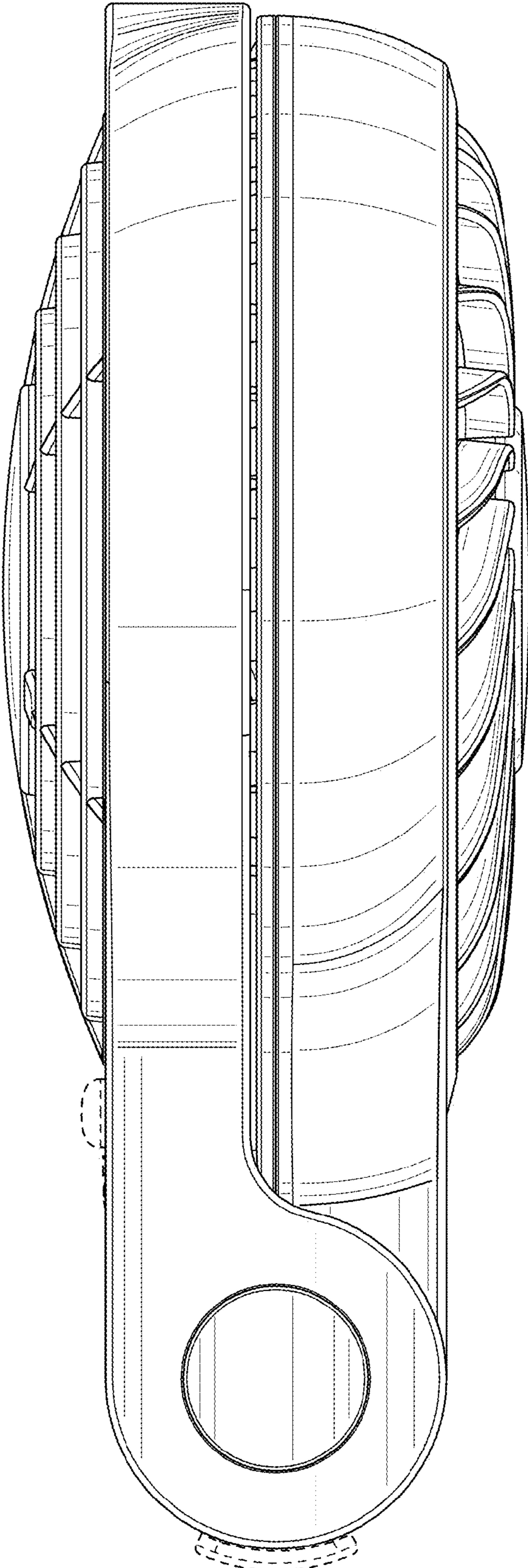


FIG. 5

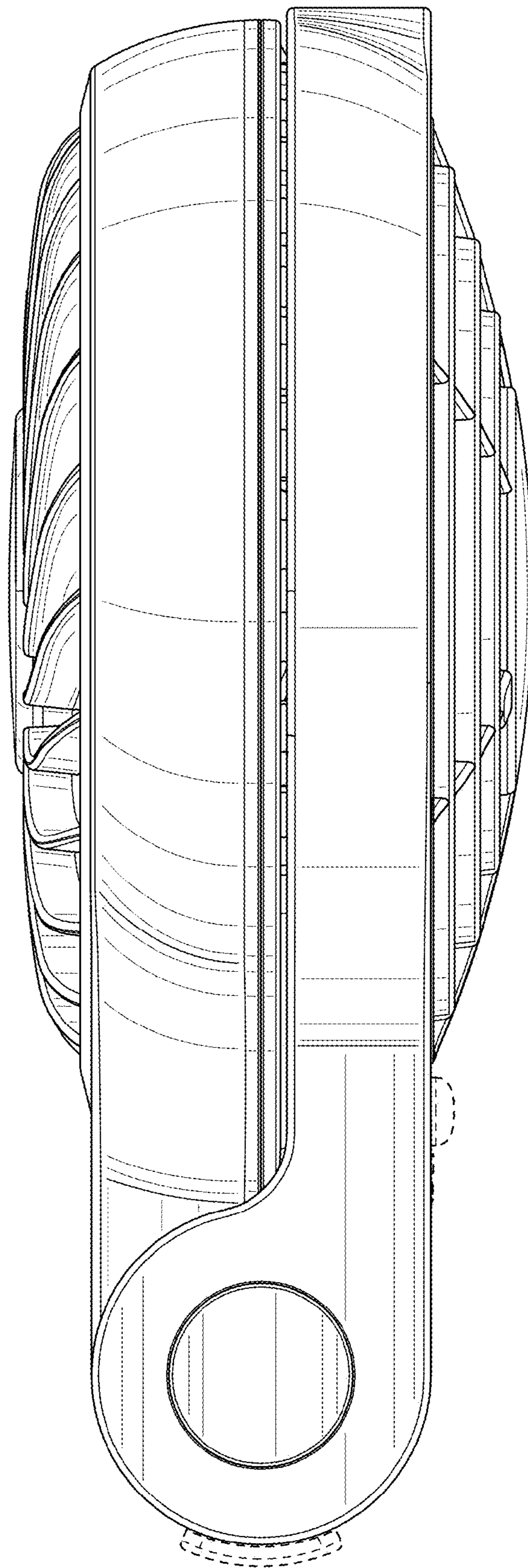


FIG. 6

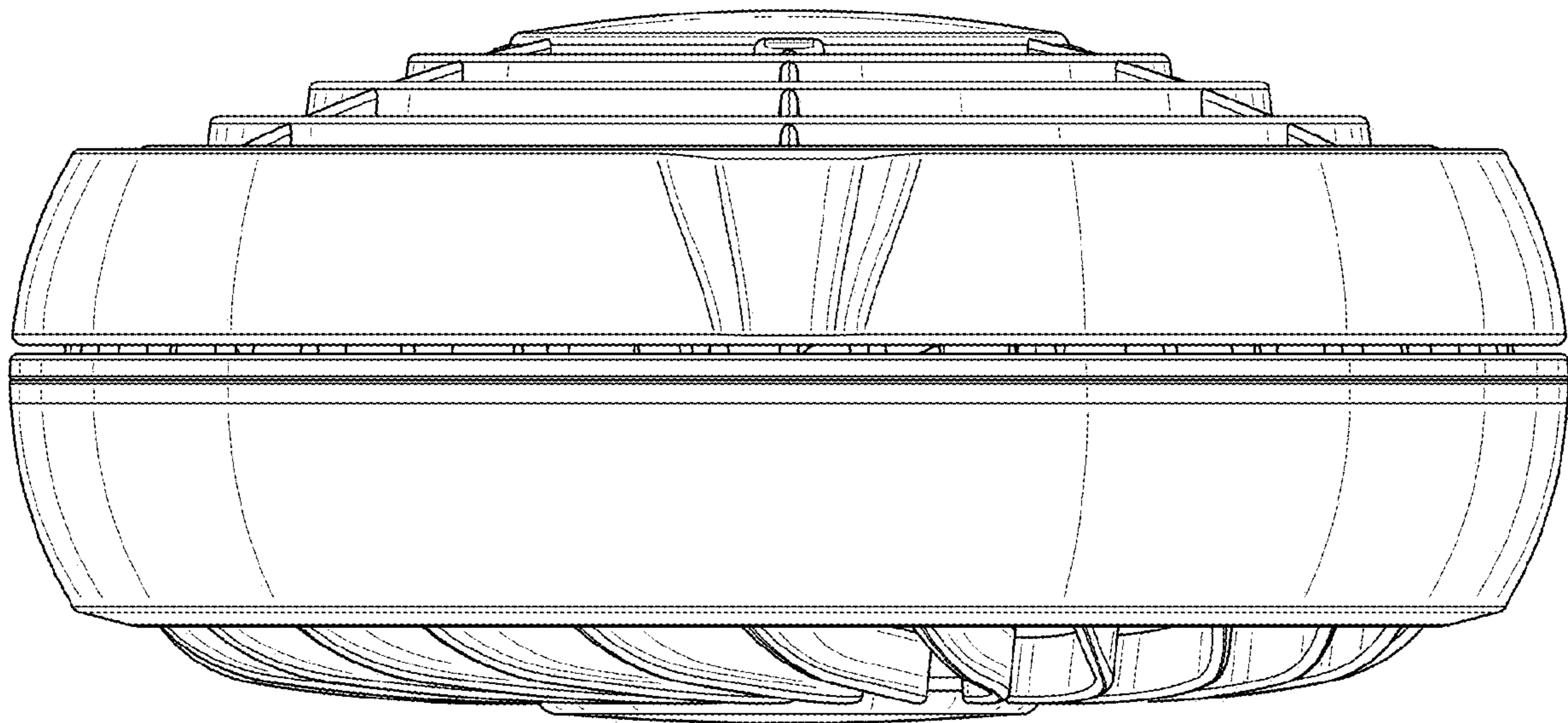


FIG. 7

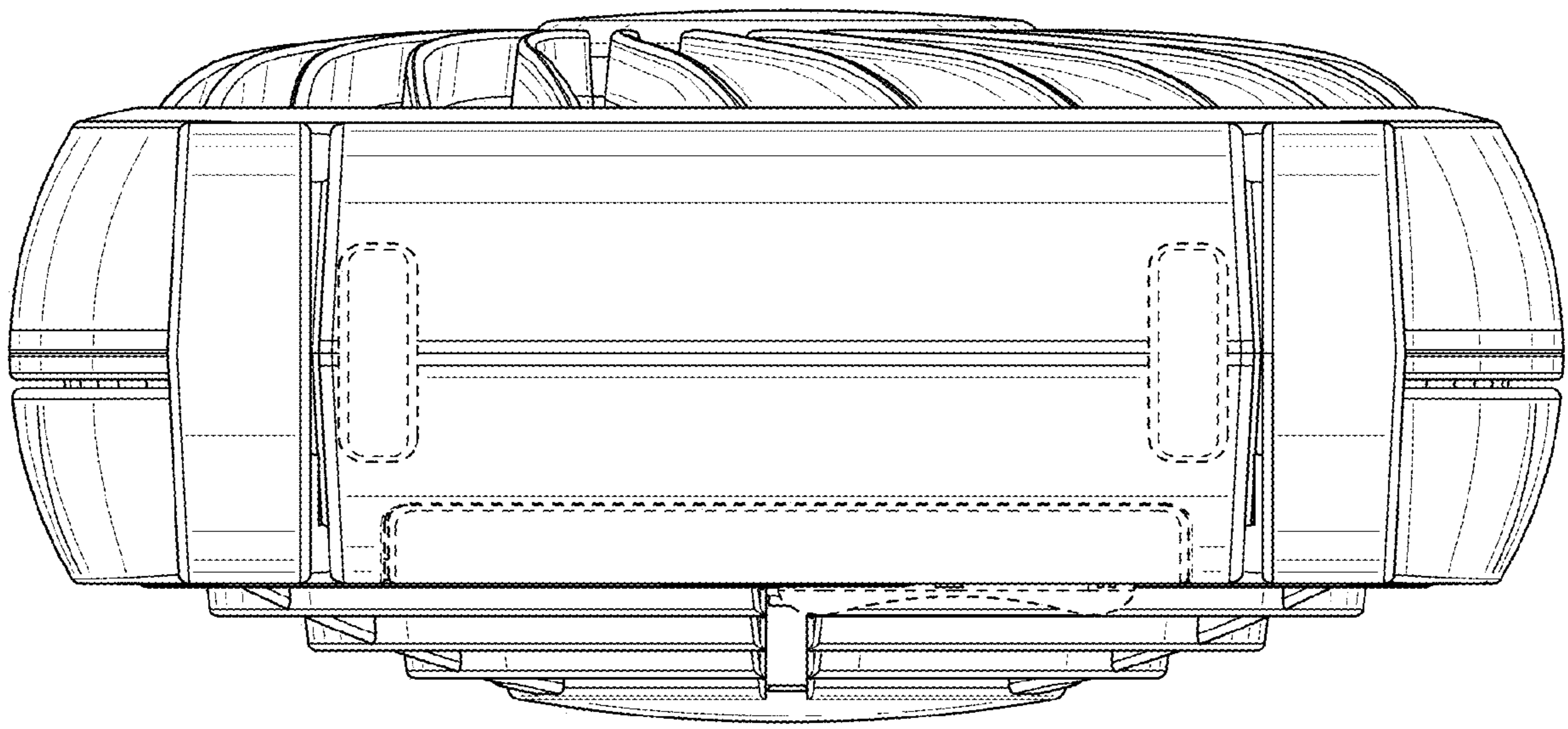


FIG. 8