



US00D898892S

(12) **United States Design Patent** (10) **Patent No.:** **US D898,892 S**  
**Lee** (45) **Date of Patent:** **\*\* Oct. 13, 2020**

(54) **AROMA DIFFUSER**  
(71) Applicant: **Bloomy Lotus Ltd**, Hong Kong (HK)  
(72) Inventor: **Leander Lee**, Hong Kong (HK)  
(73) Assignee: **Bloomy Lotus Ltd**, Hong Kong (HK)  
(\*\*) Term: **15 Years**  
(21) Appl. No.: **29/696,336**  
(22) Filed: **Jun. 27, 2019**

(30) **Foreign Application Priority Data**

Dec. 27, 2018 (HK) ..... 1802549

(51) **LOC (12) Cl.** ..... **23-04**

(52) **U.S. Cl.**  
USPC ..... **D23/366**

(58) **Field of Classification Search**  
USPC ..... D23/355, 356, 358, 359, 360, 364, 366;  
D7/316, 505; D9/435, 444, 504, 519,  
D9/529, 686; D11/131.1, 24, 30;  
D28/89; D99/5  
CPC . A61L 9/03; A61L 9/012; A61L 9/015; A61L  
9/037; F41J 1/01  
See application file for complete search history.

(56) **References Cited**

U.S. PATENT DOCUMENTS

D253,049 S \* 10/1979 Escher ..... D11/34  
D317,262 S \* 6/1991 Bluff ..... D9/431  
D329,991 S \* 10/1992 Gonzalez ..... D11/30  
D370,253 S \* 5/1996 Yuen ..... D23/355  
D376,600 S \* 12/1996 Vallillee ..... D14/240  
D378,835 S \* 4/1997 Guerrero ..... D19/73  
D380,538 S \* 7/1997 Muller ..... D23/366  
D443,900 S \* 6/2001 Eklund ..... D21/369  
D482,109 S \* 11/2003 Woods ..... D23/364  
D492,018 S \* 6/2004 Schroder ..... D23/364  
D506,193 S \* 6/2005 Shoushtari ..... D14/300

D514,971 S \* 2/2006 Burch ..... D10/109.1  
D515,683 S \* 2/2006 LaBlaine ..... D23/366  
D610,471 S \* 2/2010 Parikh ..... D10/11  
D624,639 S \* 9/2010 Dilorenzo ..... D23/365  
D630,265 S \* 1/2011 Bodin ..... D21/386  
D641,617 S \* 7/2011 Steenberg ..... D9/431  
D660,685 S \* 5/2012 Bucci ..... D21/505  
D688,417 S \* 8/2013 Liu ..... D27/162  
9,889,356 B2 \* 2/2018 Pollard ..... A63B 57/207  
D835,614 S \* 12/2018 Kahn ..... D14/240  
D865,841 S \* 11/2019 Dattila ..... D16/203  
2020/0147254 A1 \* 5/2020 Lombard ..... G01N 31/226

OTHER PUBLICATIONS

Car Aromatherapy Essential Oil Diffuser Air Fresh Diffuser Cool Triangle [Jun. 17, 2020] found online [Jun. 17, 2020]—<https://www.amazon.com/Gorgeous-Aromatherapy-Essential-Diffuser-Decoration/dp/B07QW41RYT>.\*

\* cited by examiner

*Primary Examiner* — Lakiya G Rogers

*Assistant Examiner* — John A Voytek

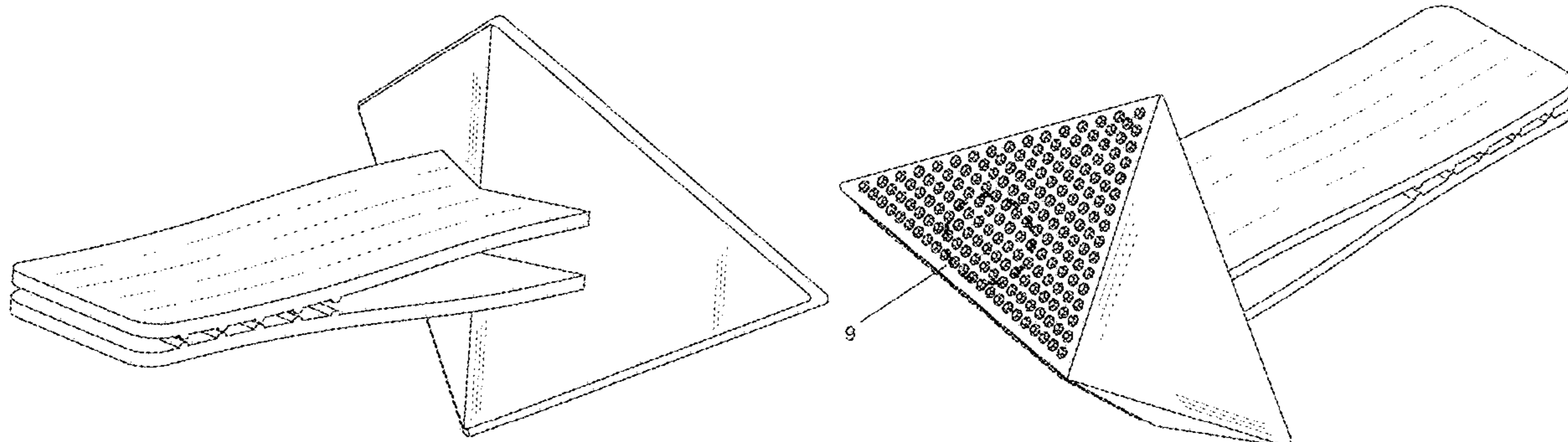
(57) **CLAIM**

The ornamental design for an aroma diffuser, as shown and described.

**DESCRIPTION**

FIG. 1 is a front elevational view of an aroma diffuser showing my new design;  
FIG. 2 is a rear elevational view thereof;  
FIG. 3 is a left side view thereof;  
FIG. 4 is a right side view thereof;  
FIG. 5 is a top plan view thereof;  
FIG. 6 is a bottom plan view thereof;  
FIG. 7 is a rear perspective view thereof;  
FIG. 8 is a top, front and right side perspective view thereof;  
and,  
FIG. 9 is an enlarged view of portion 9 in FIG. 8.

**1 Claim, 9 Drawing Sheets**



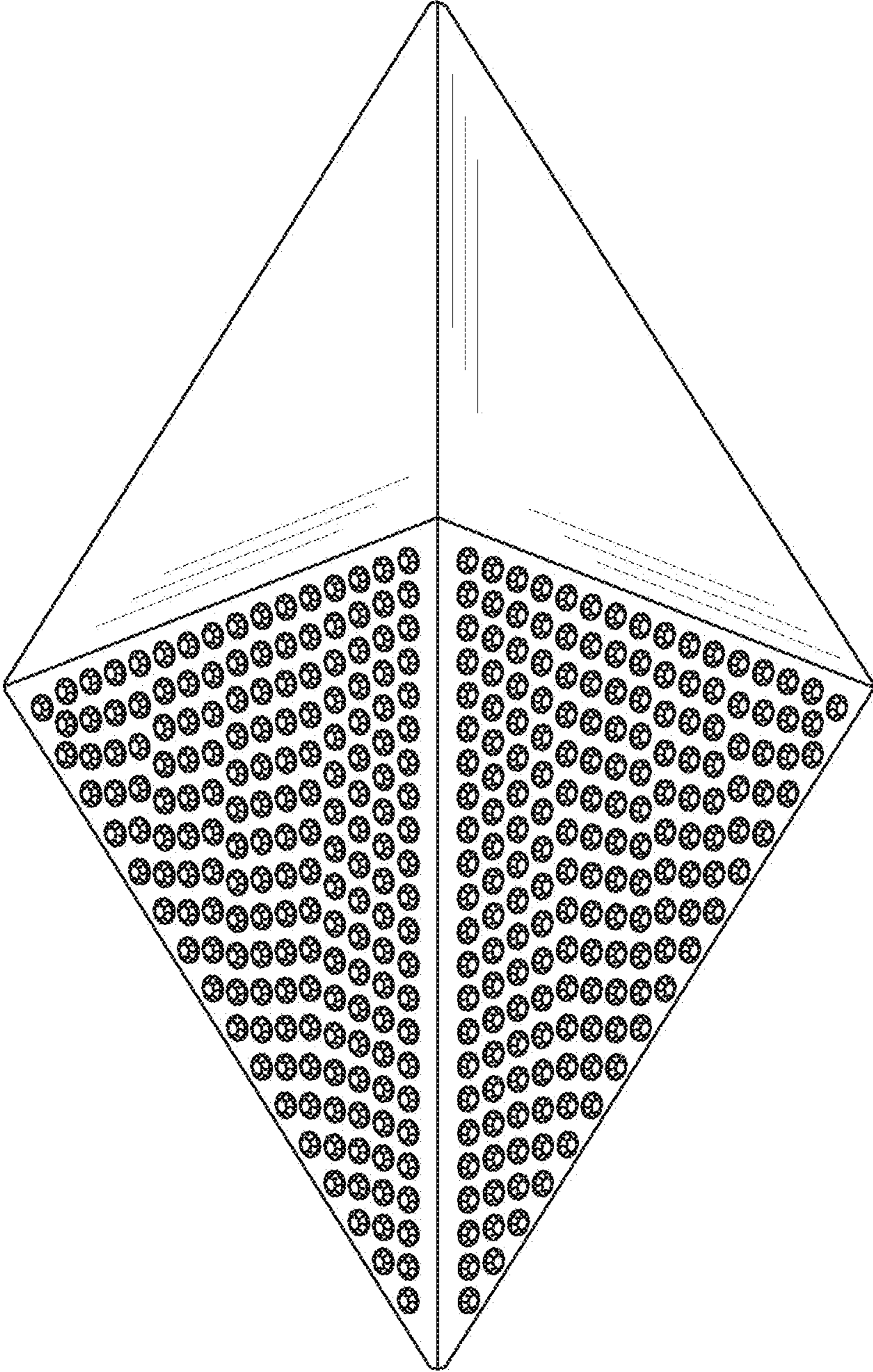


Fig. 1

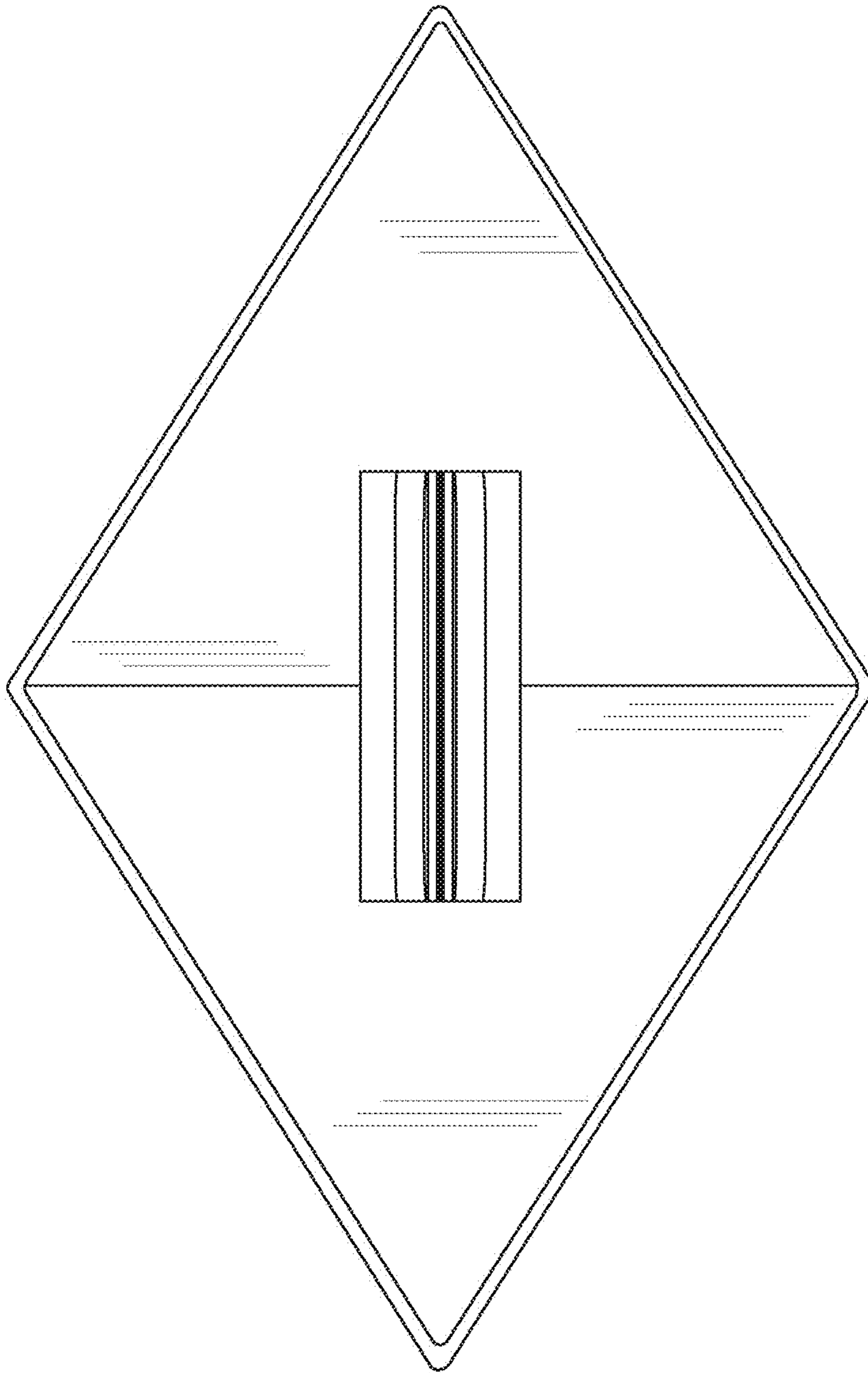


Fig. 2

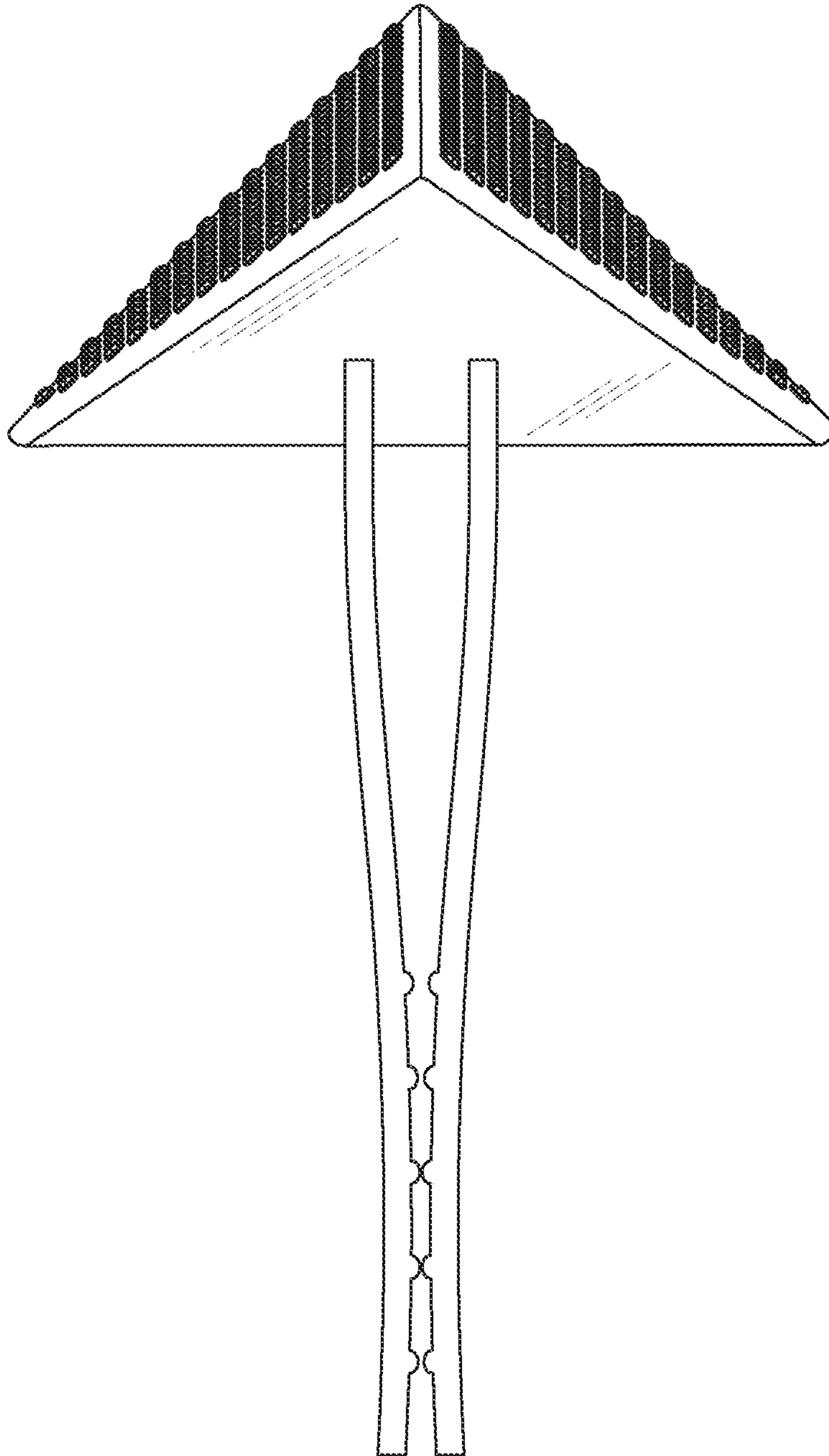


Fig. 3

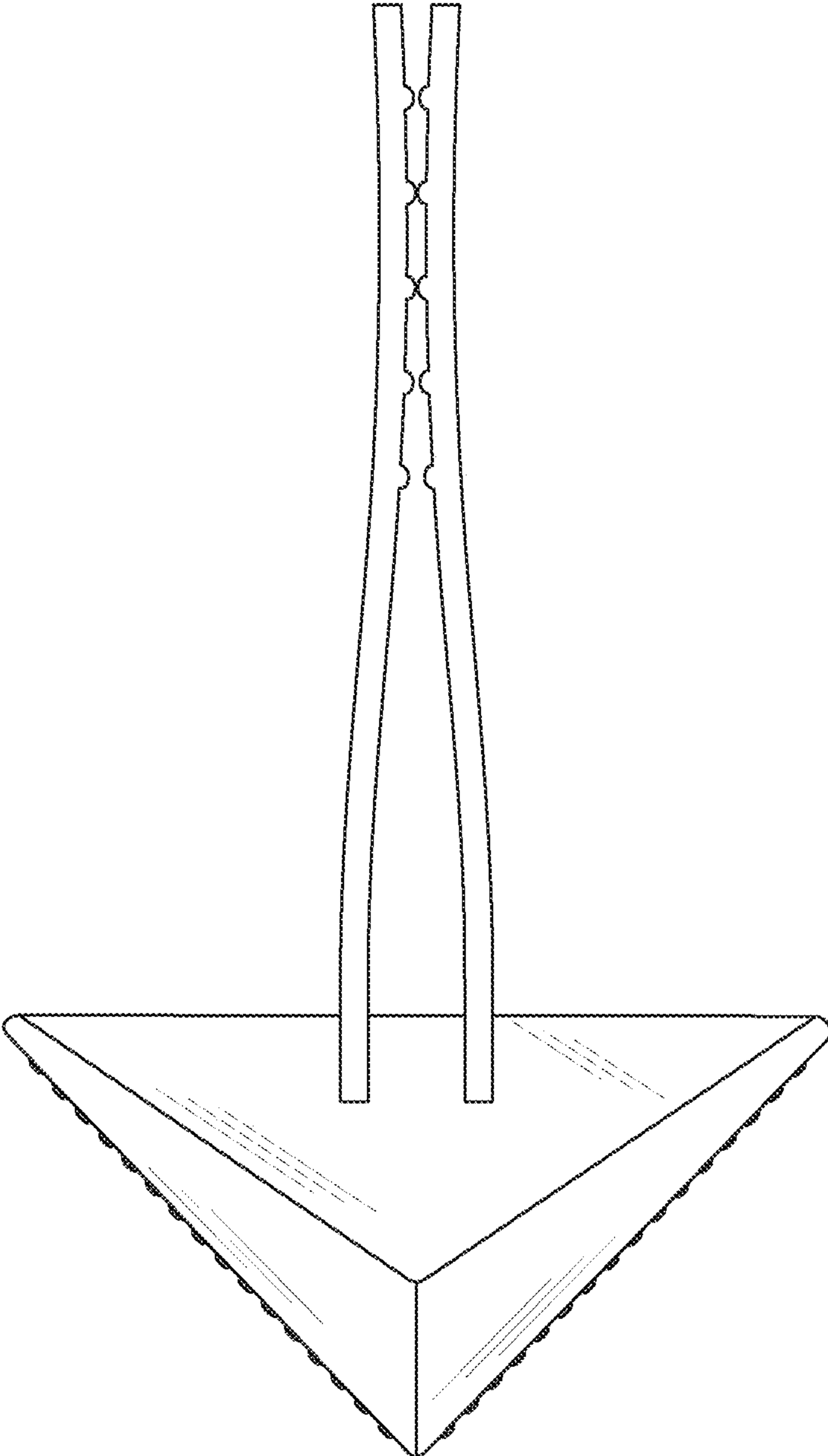


Fig. 4

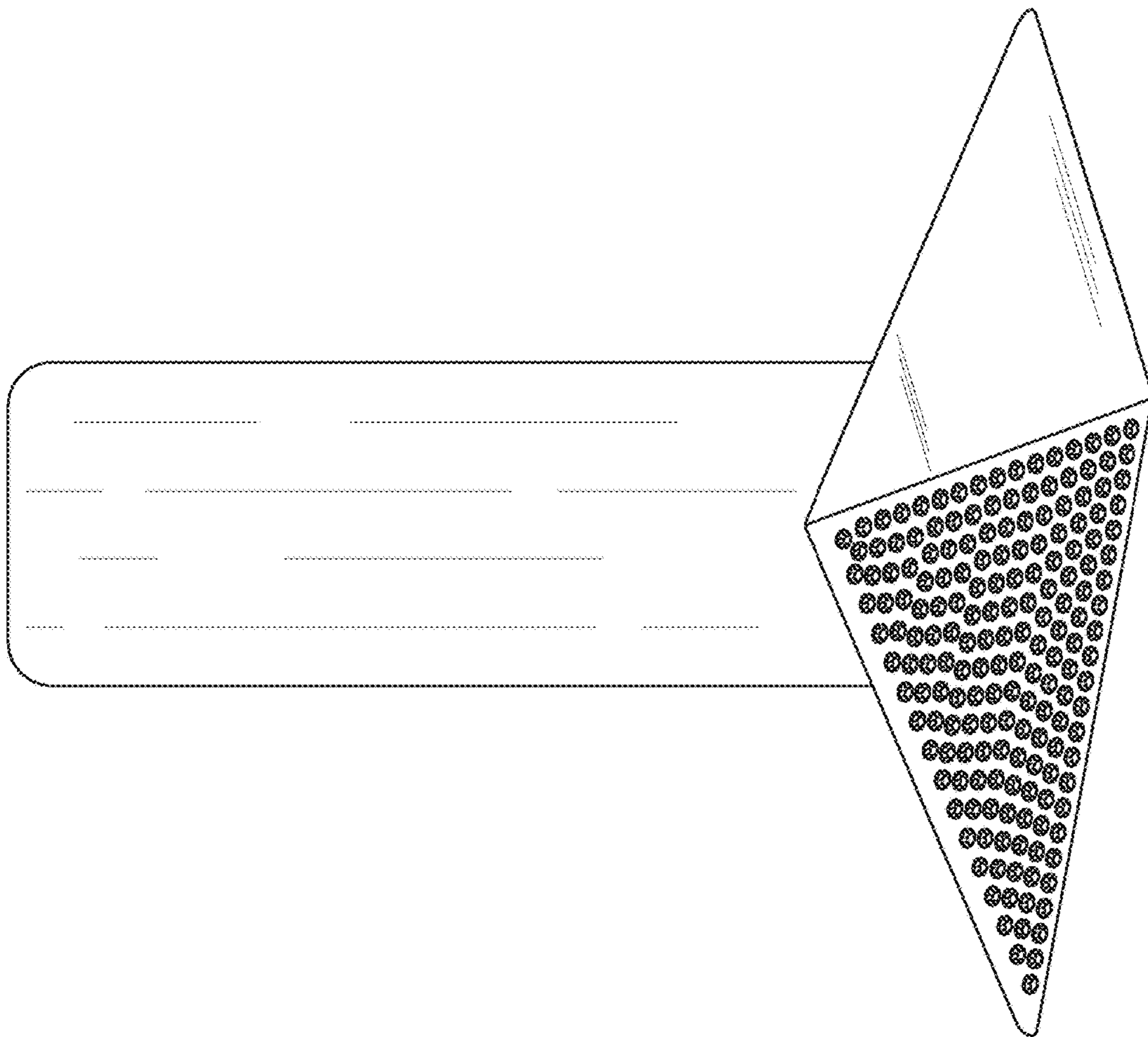


Fig. 5

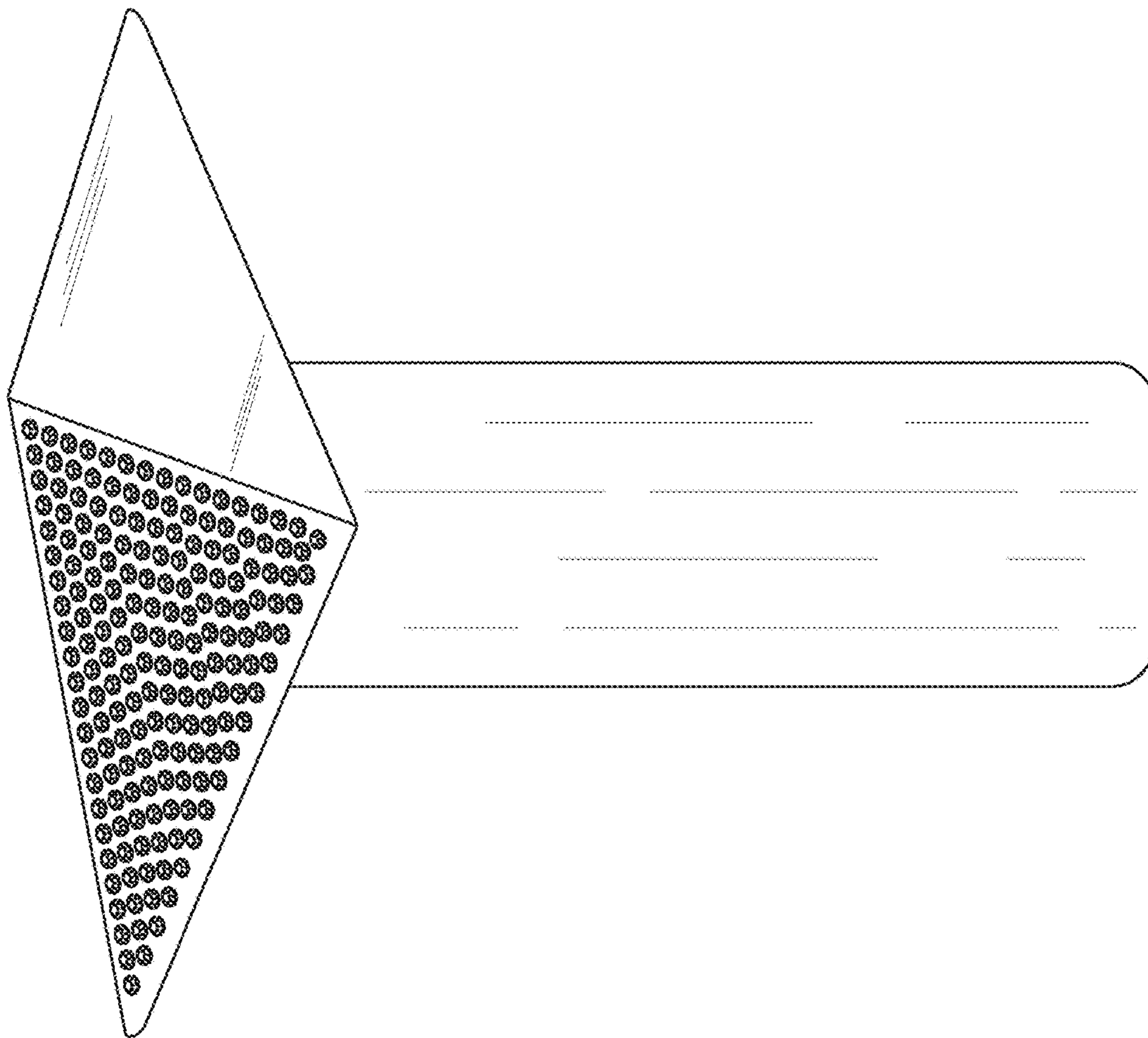


Fig. 6

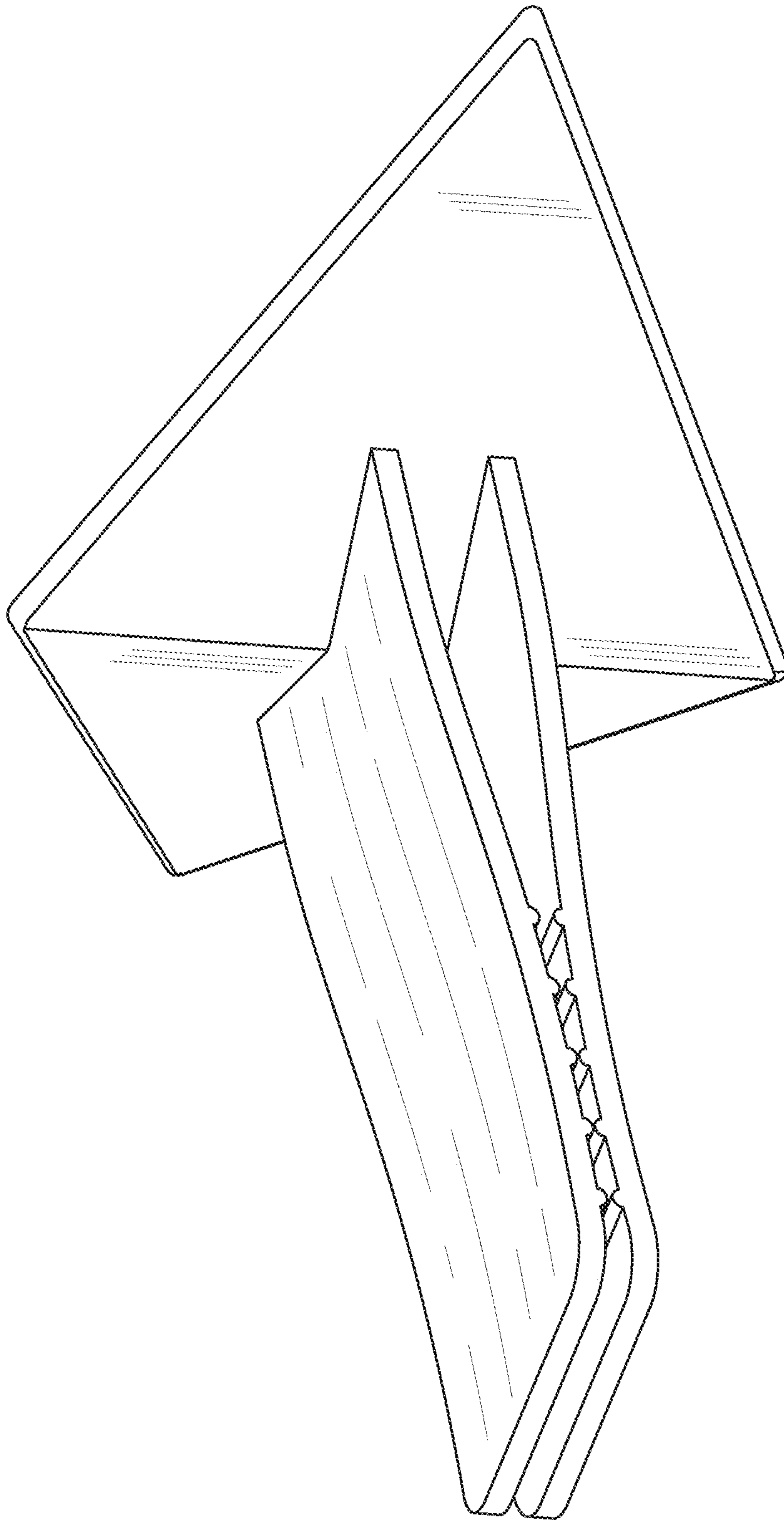


Fig. 7



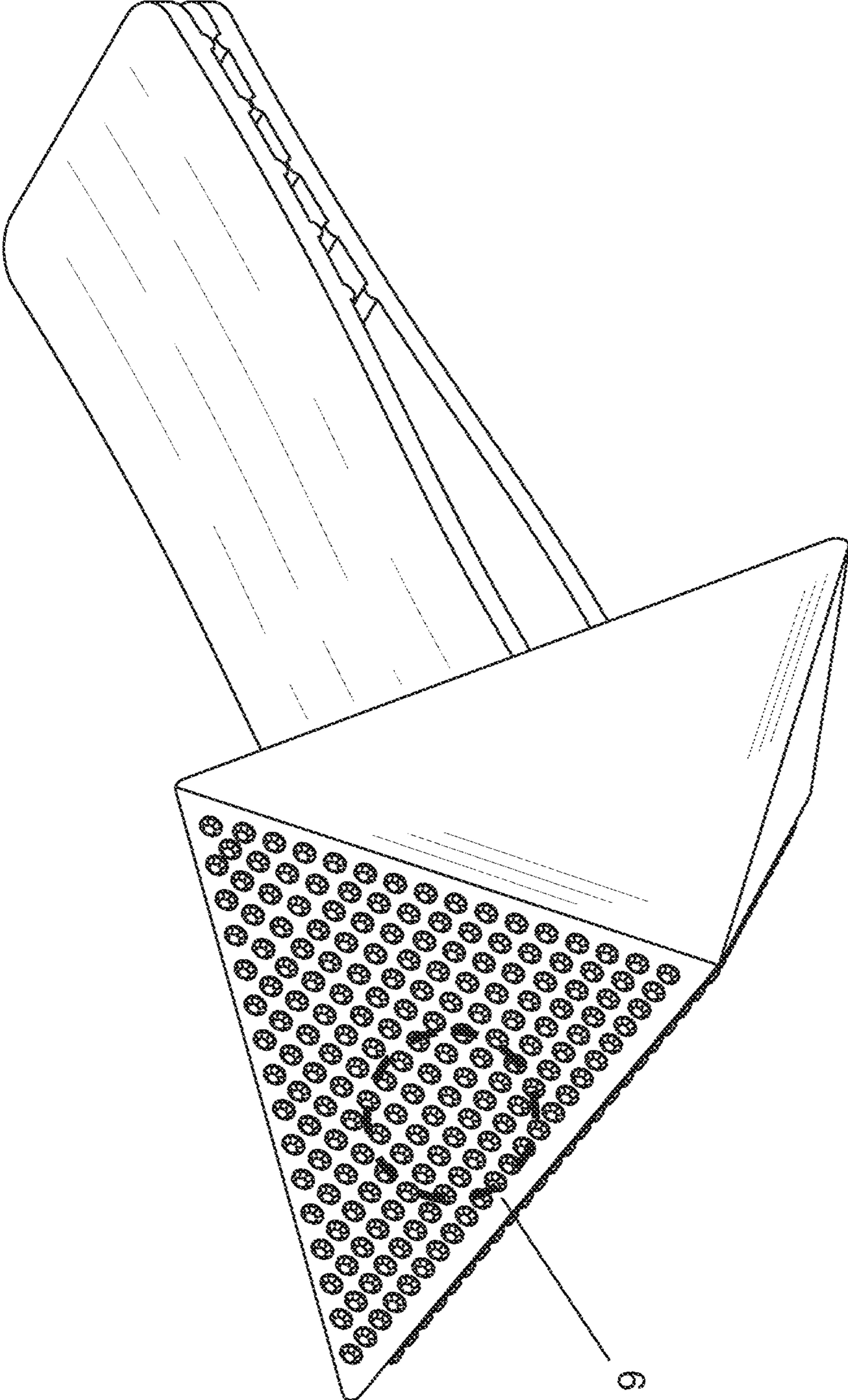


Fig. 8

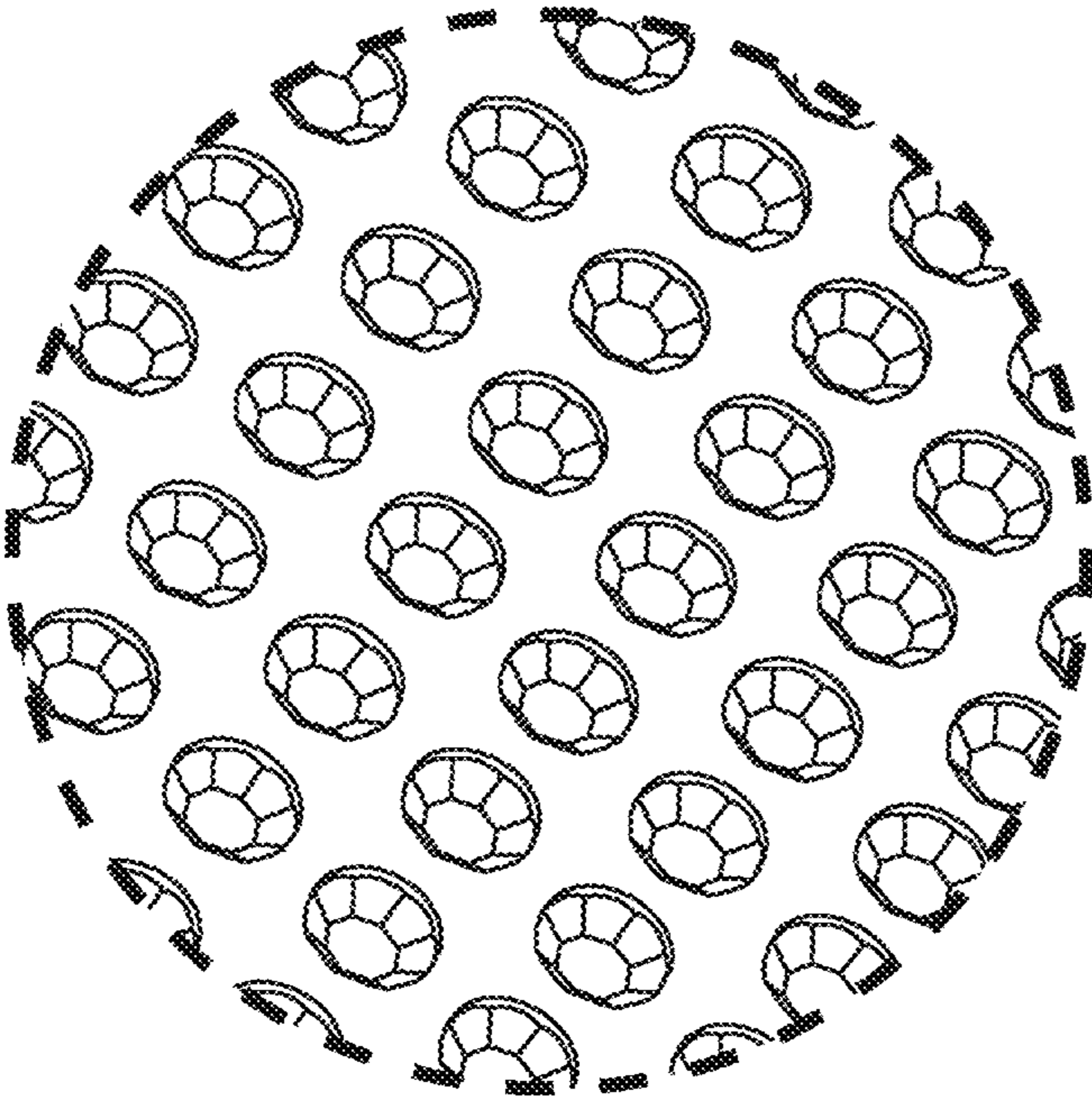


Fig. 9