



US00D898890S

(12) **United States Design Patent** (10) **Patent No.:** **US D898,890 S**  
**Roberts et al.** (45) **Date of Patent:** **\*\* Oct. 13, 2020**

(54) **PORTABLE OZONE GENERATOR**

(74) *Attorney, Agent, or Firm* — Bass, Berry & Sims, PLC

(71) Applicant: **Sleep 8, Inc.**, Brentwood, TN (US)

(72) Inventors: **Richardson Marshall Roberts**, Nashville, TN (US); **Robert Emmet Seibels, IV**, Nashville, TN (US); **Jordon Chase Soblick**, Delray Beach, FL (US); **Eugene Frederick Durham**, Nashville, TN (US); **David Paul Bohman**, Nashville, TN (US)

(57) **CLAIM**

The ornamental design for a portable ozone generator, as shown and described.

(73) Assignee: **SLEEP 8, INC.**, Brentwood, TN (US)

(\*\*) Term: **15 Years**

(21) Appl. No.: **29/648,682**

(22) Filed: **May 23, 2018**

(51) **LOC (12) Cl.** ..... **23-04**

(52) **U.S. Cl.**  
USPC ..... **D23/366**

(58) **Field of Classification Search**  
USPC ..... D23/208, 355–369; D14/209.1, 212–213

(Continued)

(56) **References Cited**

**U.S. PATENT DOCUMENTS**

D356,636 S \* 3/1995 Kunze ..... D23/366  
D408,511 S \* 4/1999 Allen ..... D23/356

(Continued)

**OTHER PUBLICATIONS**

DHGate.com, CPAP Portable Ozone Generator Air Disinfection Machine, undated online product page, retrieved Apr. 24, 2020 from <URL:https://www.dhgate.com/product/new-2200mah-cpap-portable-ozone-generator/522926467.html> (Year: 2020).\*

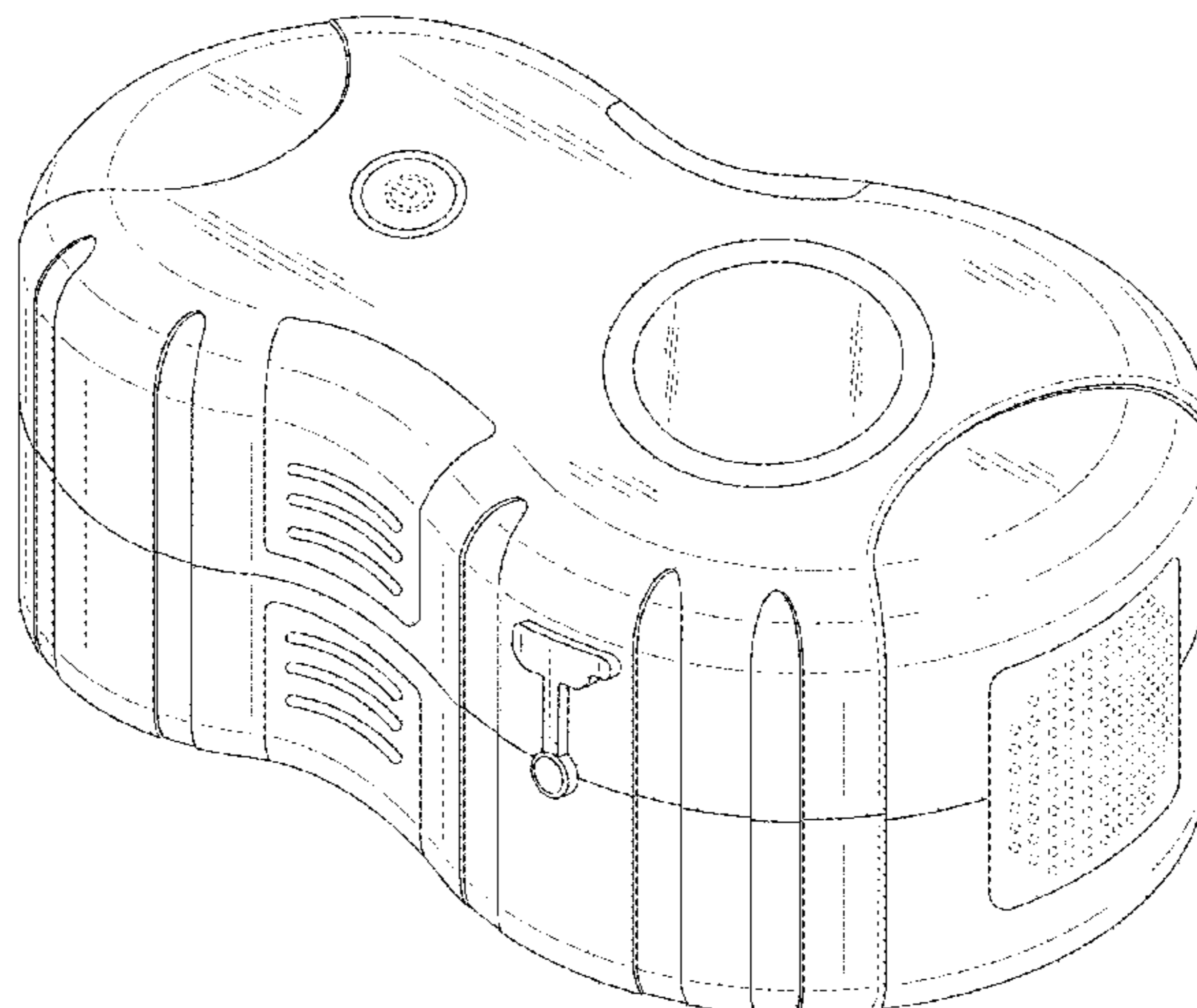
(Continued)

*Primary Examiner* — Sheryl Lane  
*Assistant Examiner* — Calvin E Vasant

**DESCRIPTION**

FIG. 1 is a perspective view of a first embodiment of a portable ozone generator showing our new design; FIG. 2 is a top plan view thereof; FIG. 3 is a bottom plan view thereof; FIG. 4 is a left side view thereof; FIG. 5 is a right side view thereof; FIG. 6 is a front side view thereof; FIG. 7 is a back side view thereof; FIG. 8 is a perspective view of a second embodiment of the portable ozone generator showing our new design; FIG. 9 is a top plan view thereof; FIG. 10 is a bottom plan view thereof; FIG. 11 is a left side view thereof; FIG. 12 is a right side view thereof; FIG. 13 is a front side view thereof; FIG. 14 is a back side view thereof; FIG. 15 is a perspective view of a third embodiment of the portable ozone generator showing our new design; FIG. 16 is a top plan view thereof; FIG. 17 is a bottom plan view thereof; FIG. 18 is a left side view thereof; FIG. 19 is a right side view thereof; FIG. 20 is a front side view thereof; FIG. 21 is a back side view thereof; FIG. 22 is a perspective view of a fourth embodiment of the portable ozone generator showing our new design; FIG. 23 is a top plan view thereof; FIG. 24 is a bottom plan view thereof; FIG. 25 is a left side view thereof; FIG. 26 is a right side view thereof; FIG. 27 is a front side view thereof; and, FIG. 28 is a back side view thereof.

(Continued)



The broken lines are included for the purpose of illustrating portions of the portable ozone generator that form no part of the claimed design.

**1 Claim, 28 Drawing Sheets**

**(58) Field of Classification Search**

CPC ..... A61L 9/02; A61L 9/03; A61L 9/12; A61L 9/035; A61L 9/125

See application file for complete search history.

**(56)**

**References Cited**

**U.S. PATENT DOCUMENTS**

D413,661	S	*	9/1999	Litvin .....	D23/356
D428,979	S	*	8/2000	Cox .....	D23/356
D428,981	S	*	8/2000	Wolpert .....	D23/366

D438,608	S	*	3/2001	Chen .....	D23/366
D469,922	S	*	2/2003	Cohen Harel .....	D27/157
D477,893	S	*	7/2003	Cohen Harel .....	D27/157
D487,144	S	*	2/2004	Choke-arpornchai .....	D23/366
D520,129	S	*	5/2006	Sevy .....	D23/367
D575,384	S	*	8/2008	Huang .....	D23/366
D610,666	S	*	2/2010	Furner .....	D23/366
D645,948	S	*	9/2011	Iwasawa .....	D23/366
D710,825	S	*	8/2014	Florczak .....	D14/214
D746,967	S	*	1/2016	Lee .....	D23/356
D801,507	S	*	10/2017	Kelnhofer .....	D23/366
D818,100	S	*	5/2018	Cho .....	D23/364

**OTHER PUBLICATIONS**

Youtube, User Guide for Sleep 8 CPAP Sanitizer DirectHomeMedical, Jan. 2019, Video user guide, retrieved Apr. 24, 2020 from <URL:https://www.youtube.com/watch?v=CXztXt7hLGA> (Year: 2019).\*

\* cited by examiner

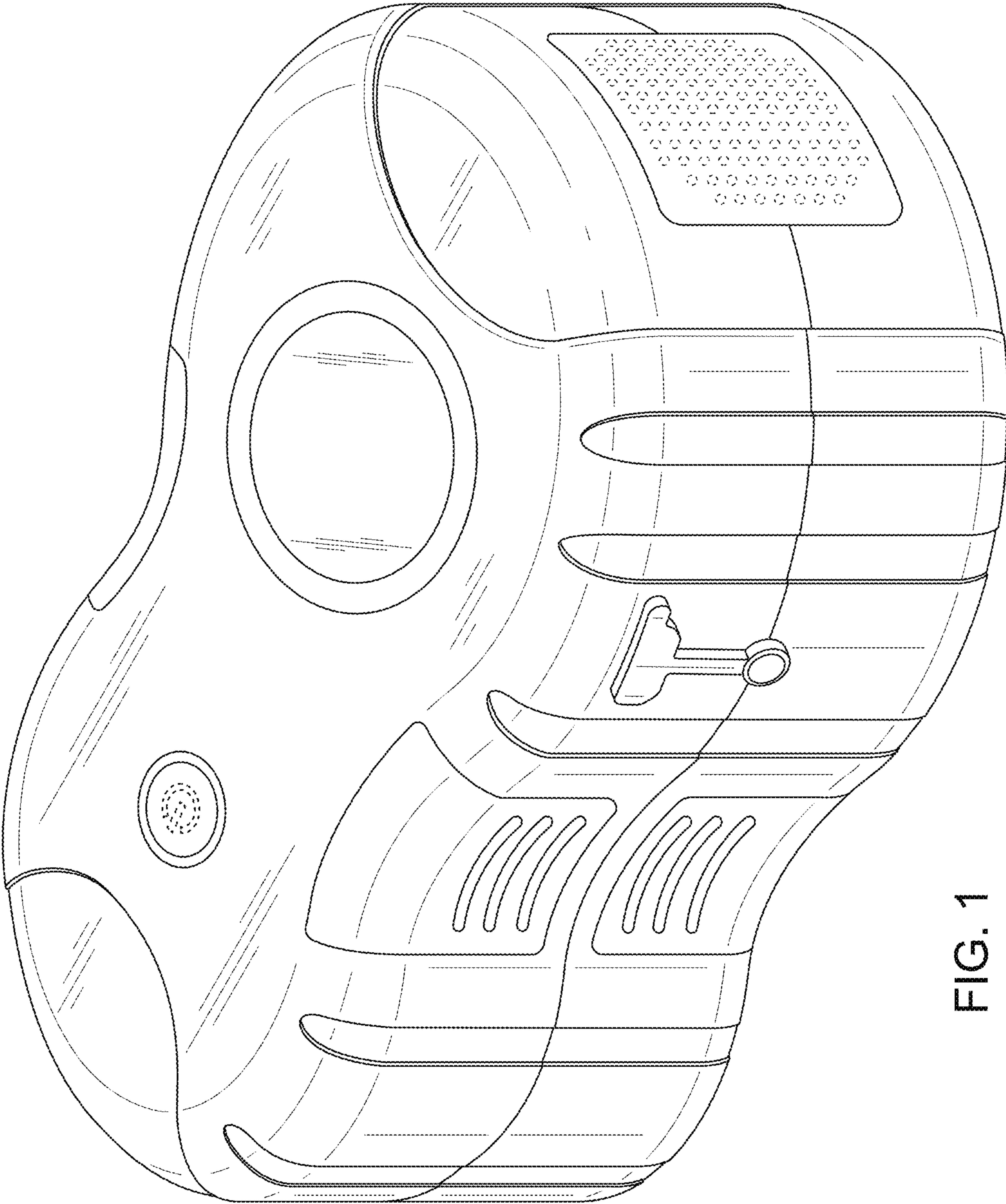


FIG. 1

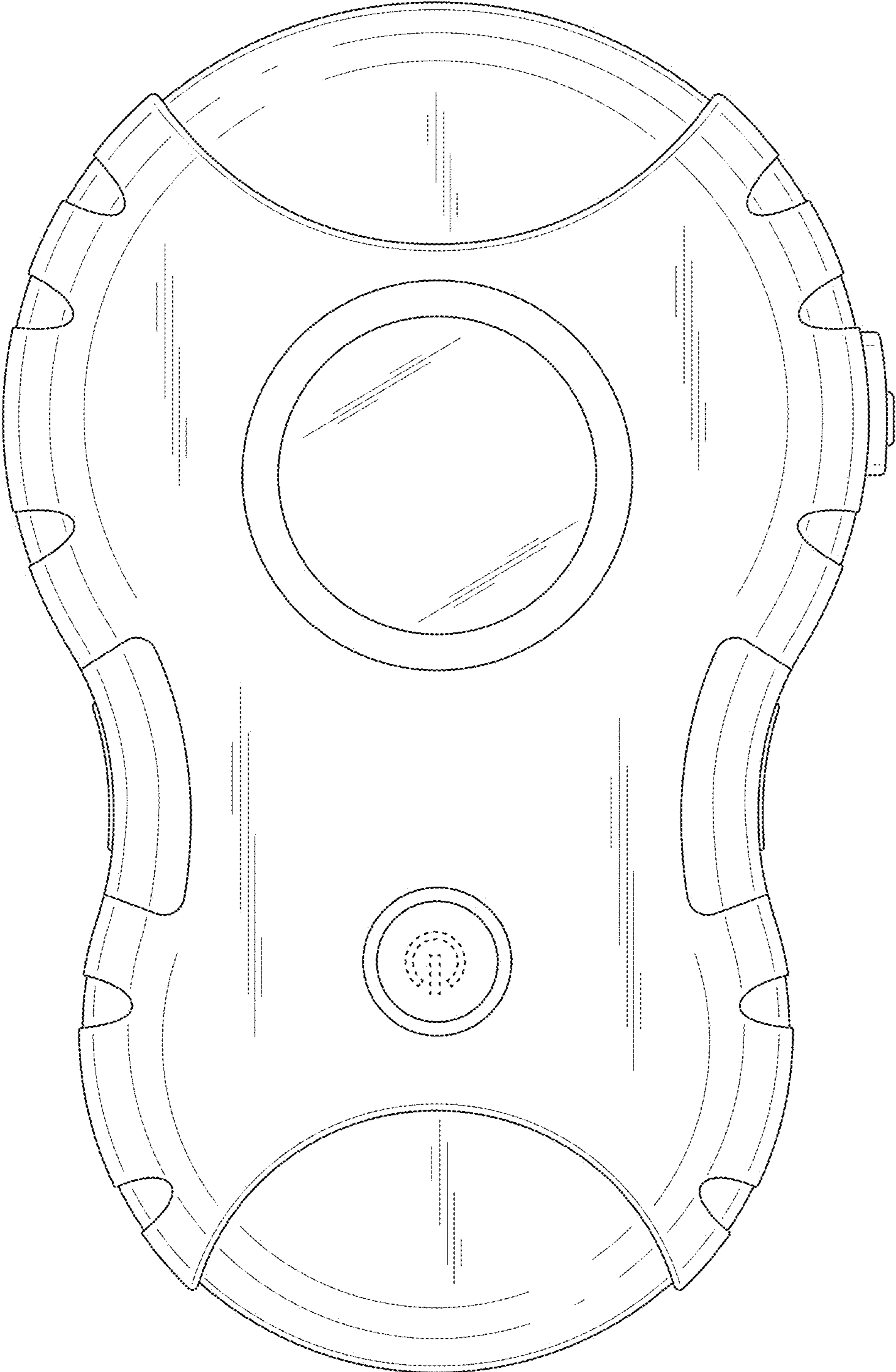


FIG. 2

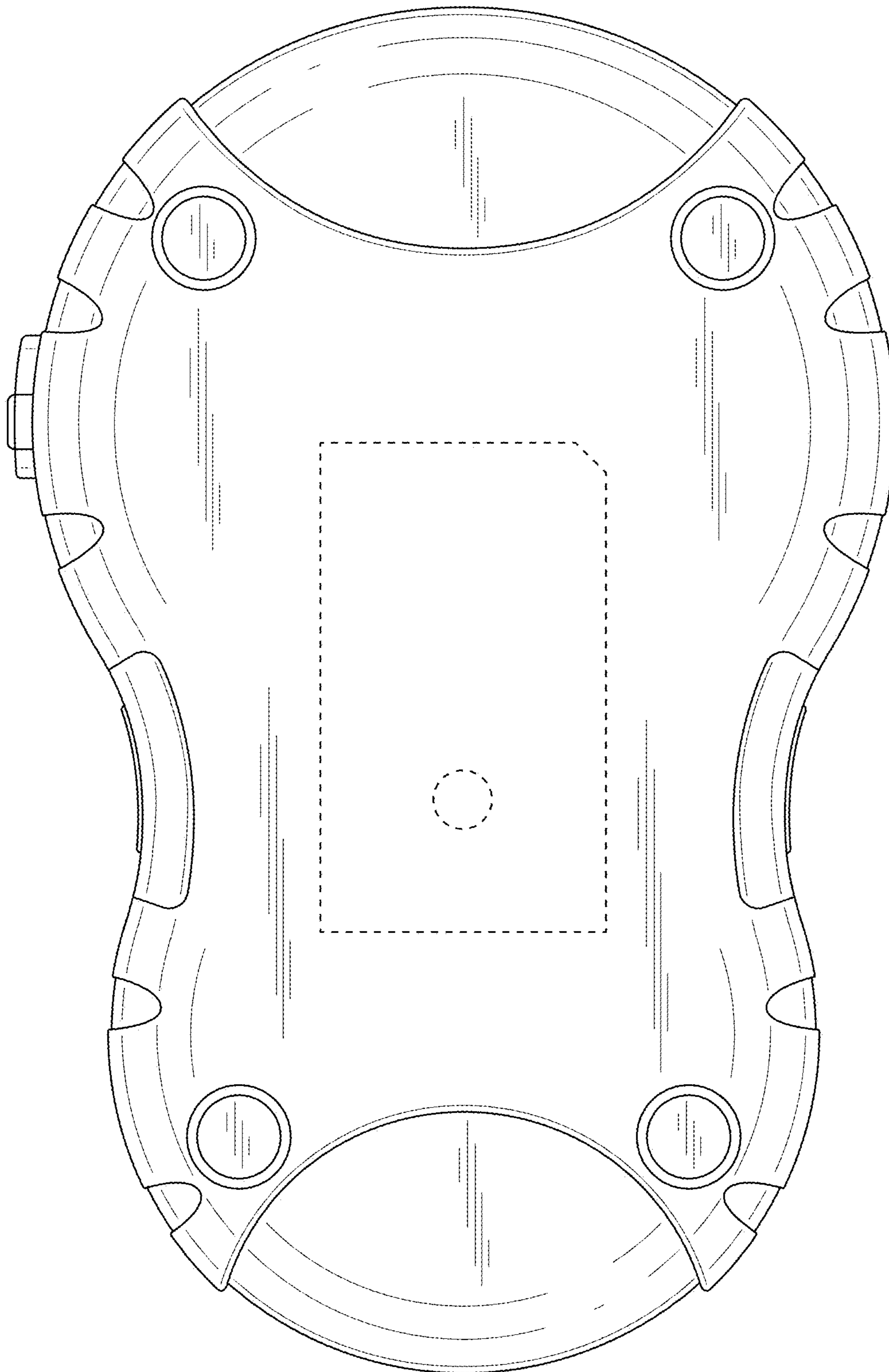


FIG. 3

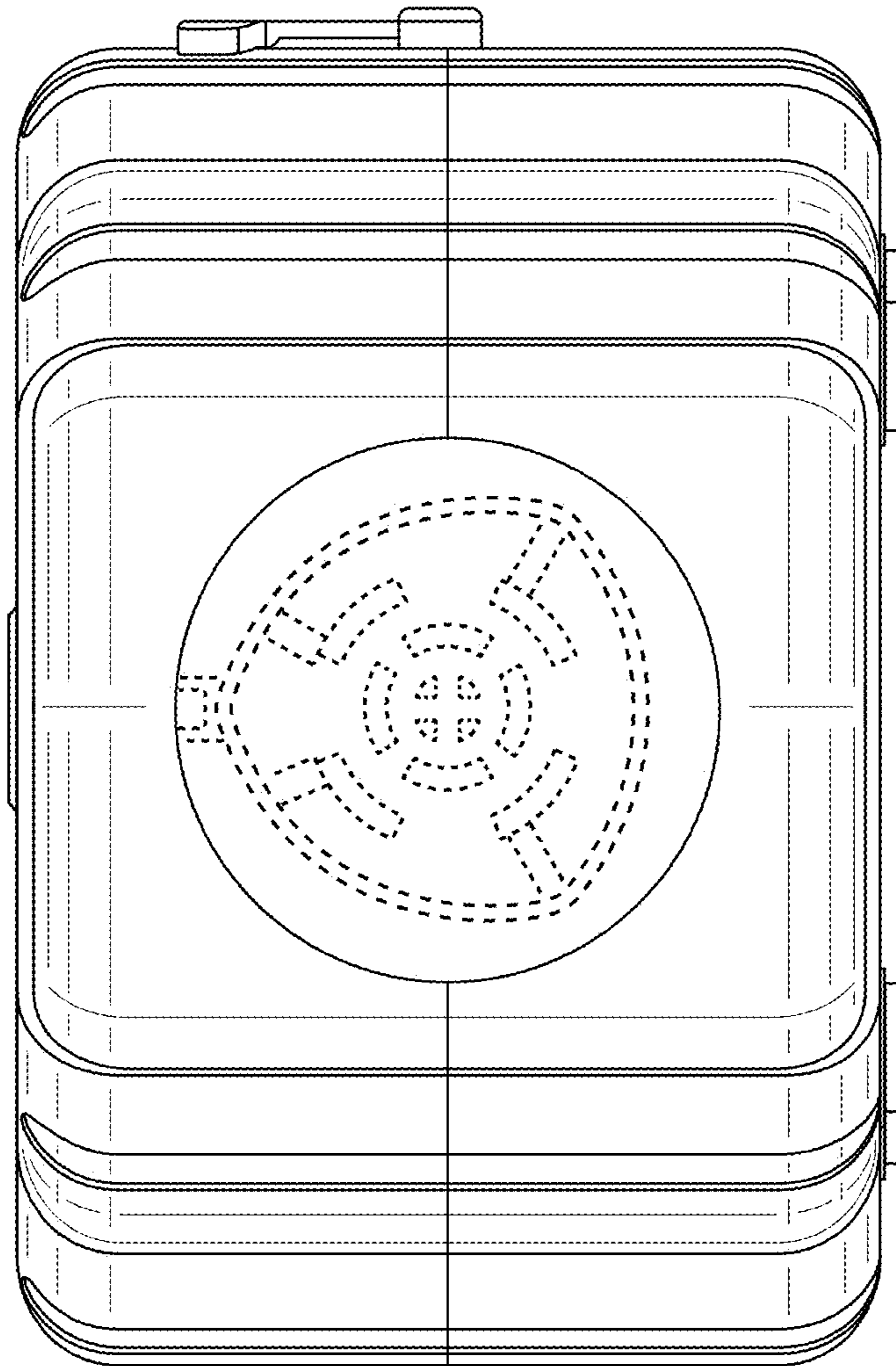


FIG. 4

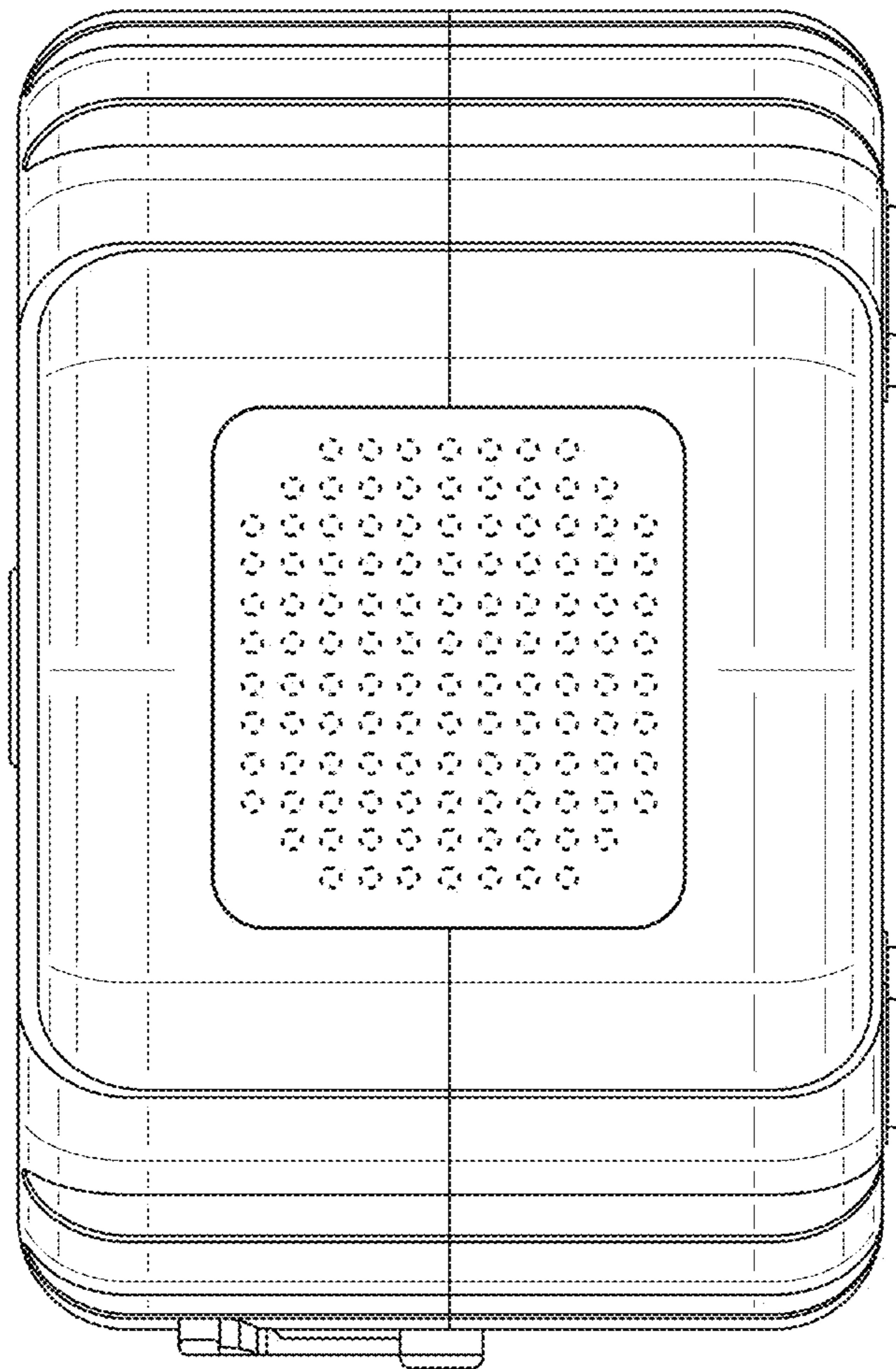


FIG. 5

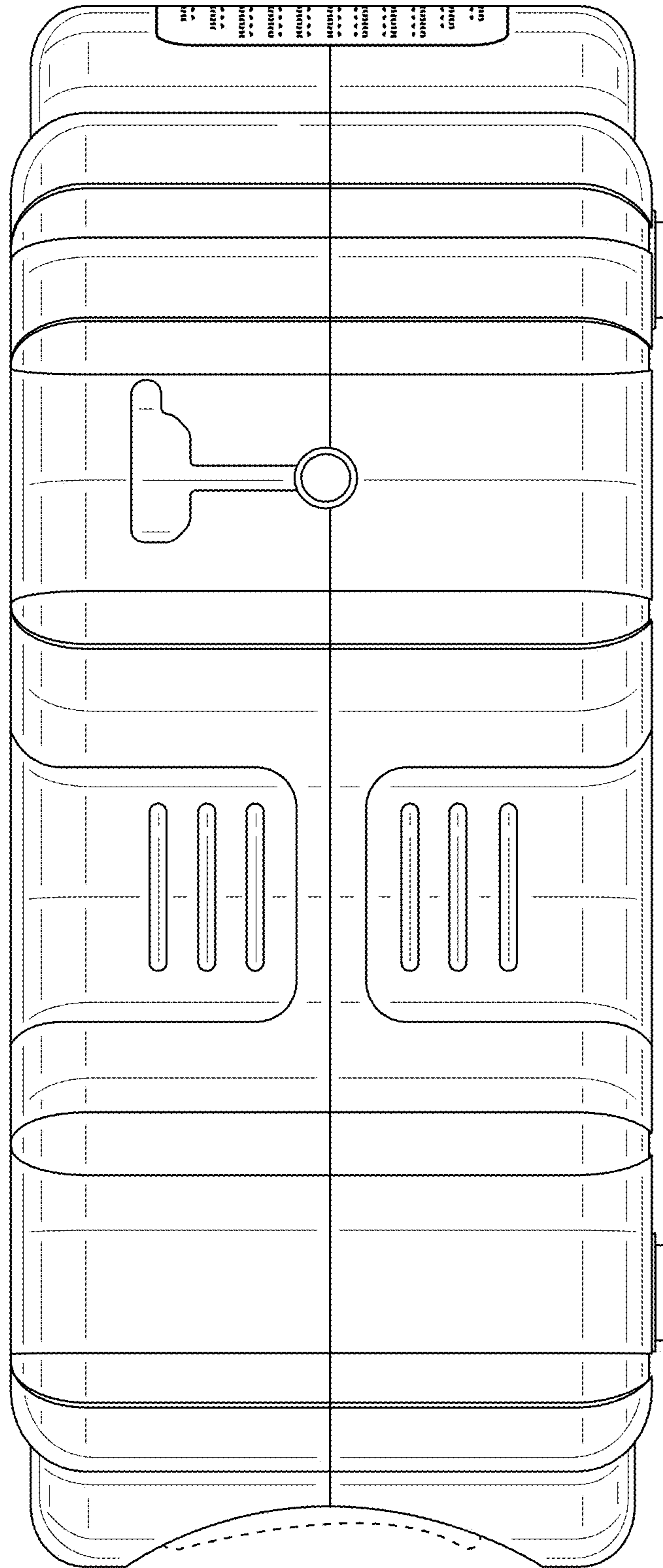


FIG. 6



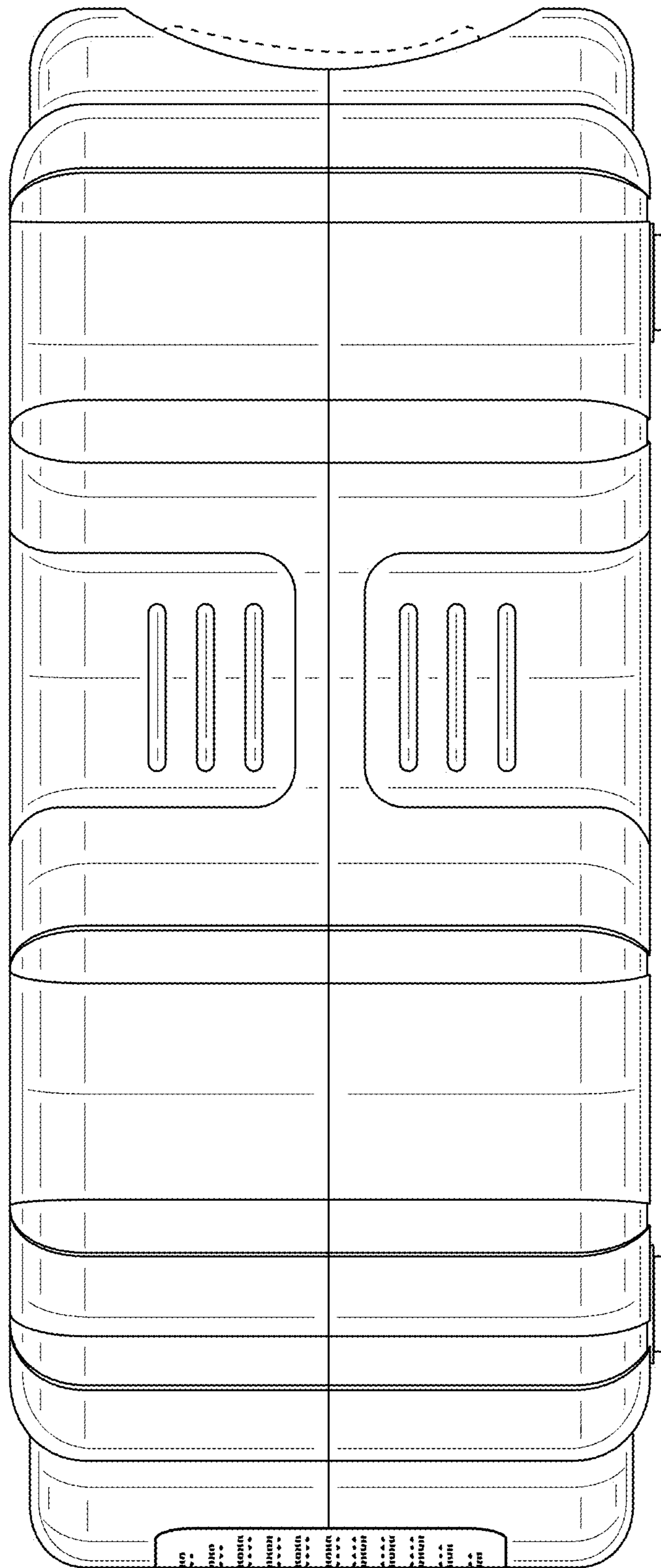


FIG. 7

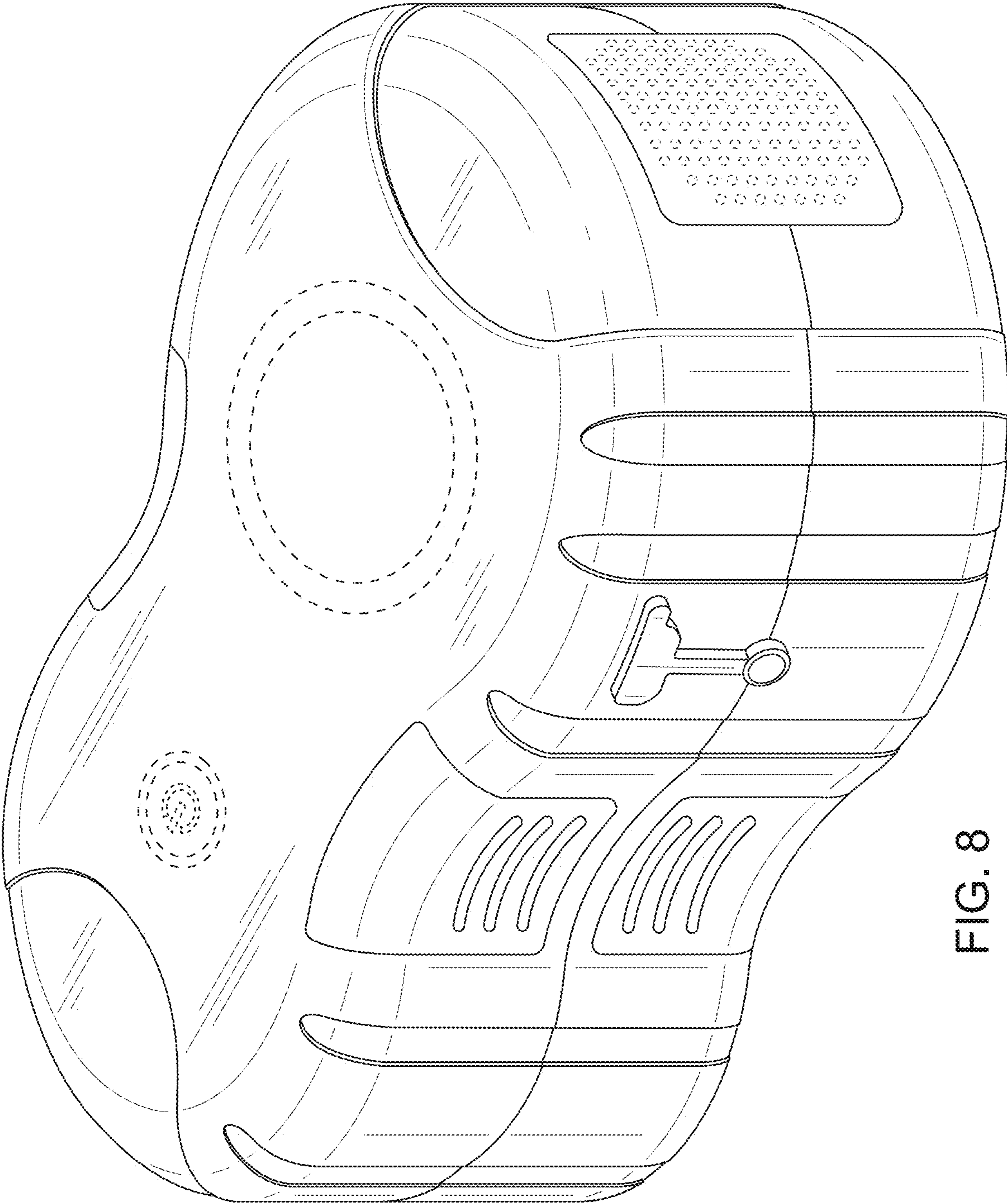


FIG. 8

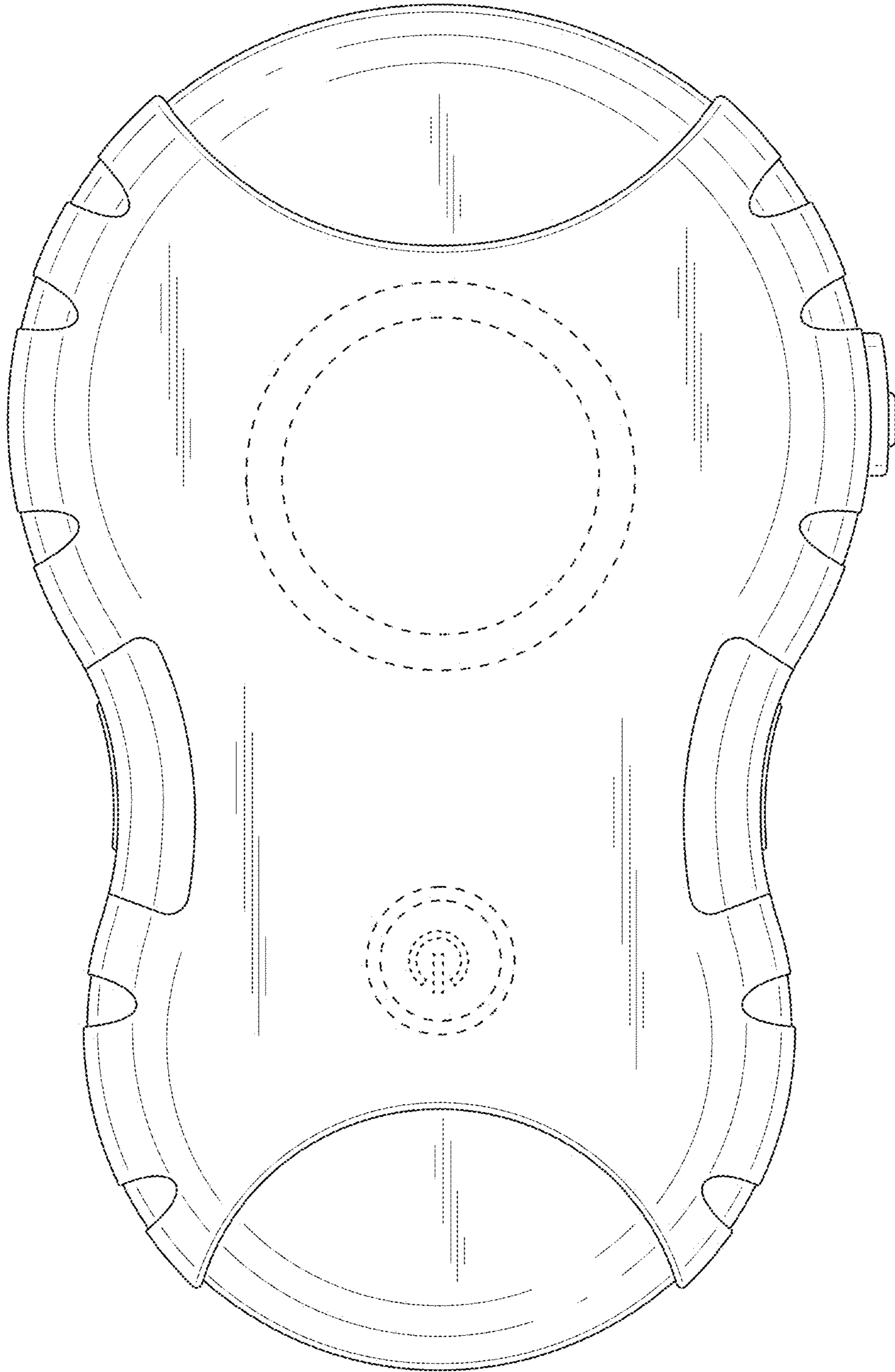


FIG. 9

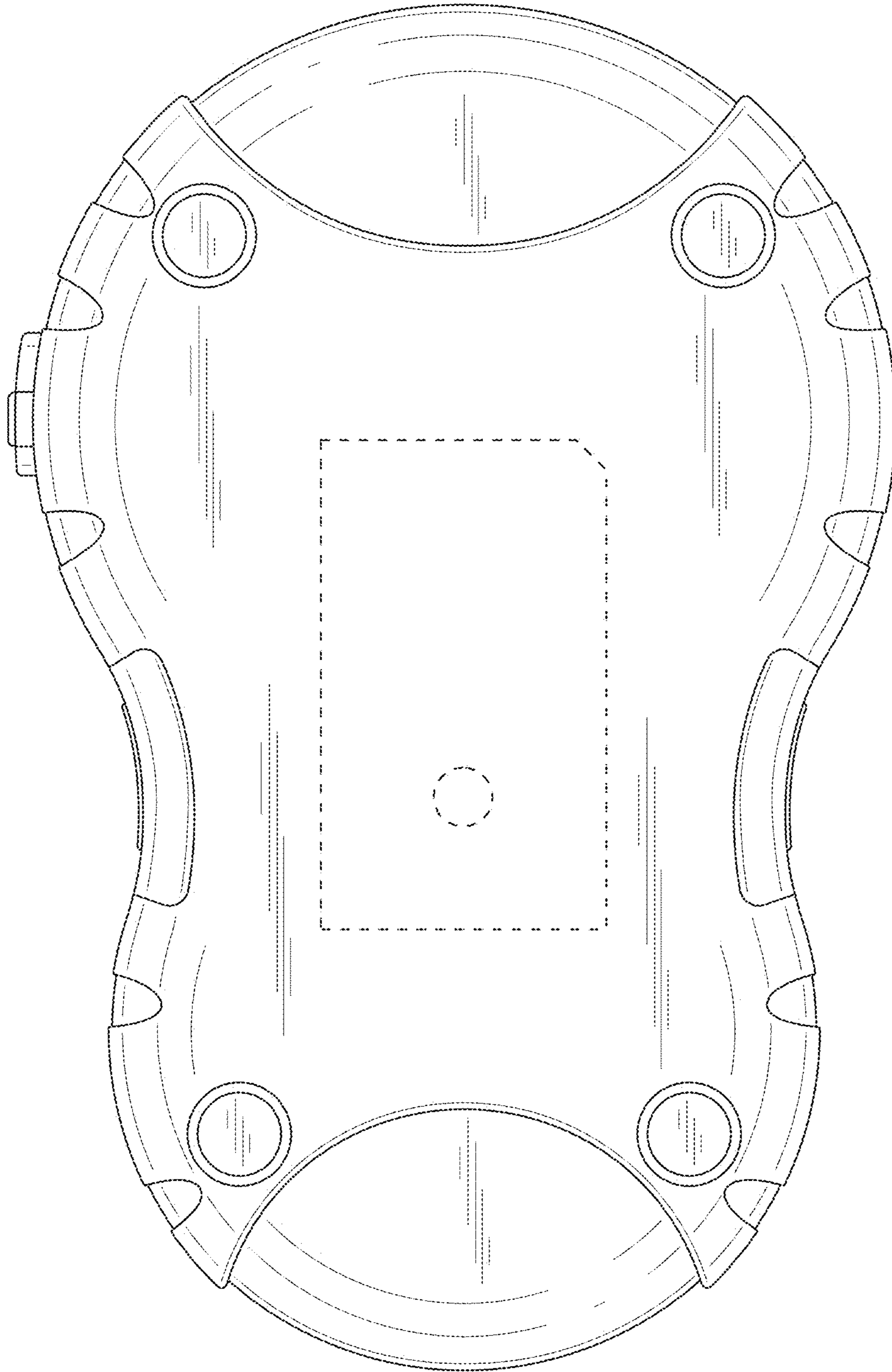


FIG. 10

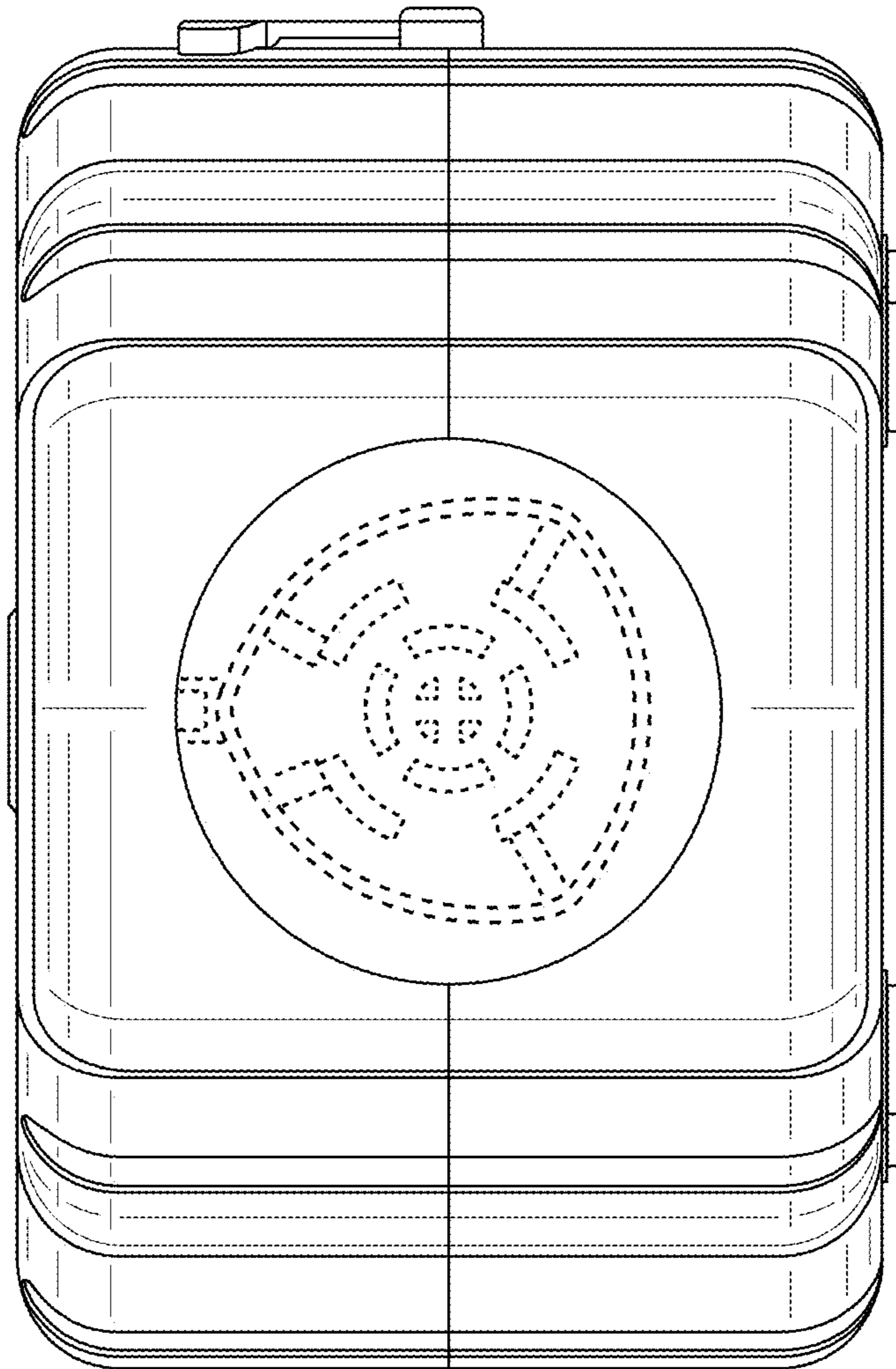


FIG. 11

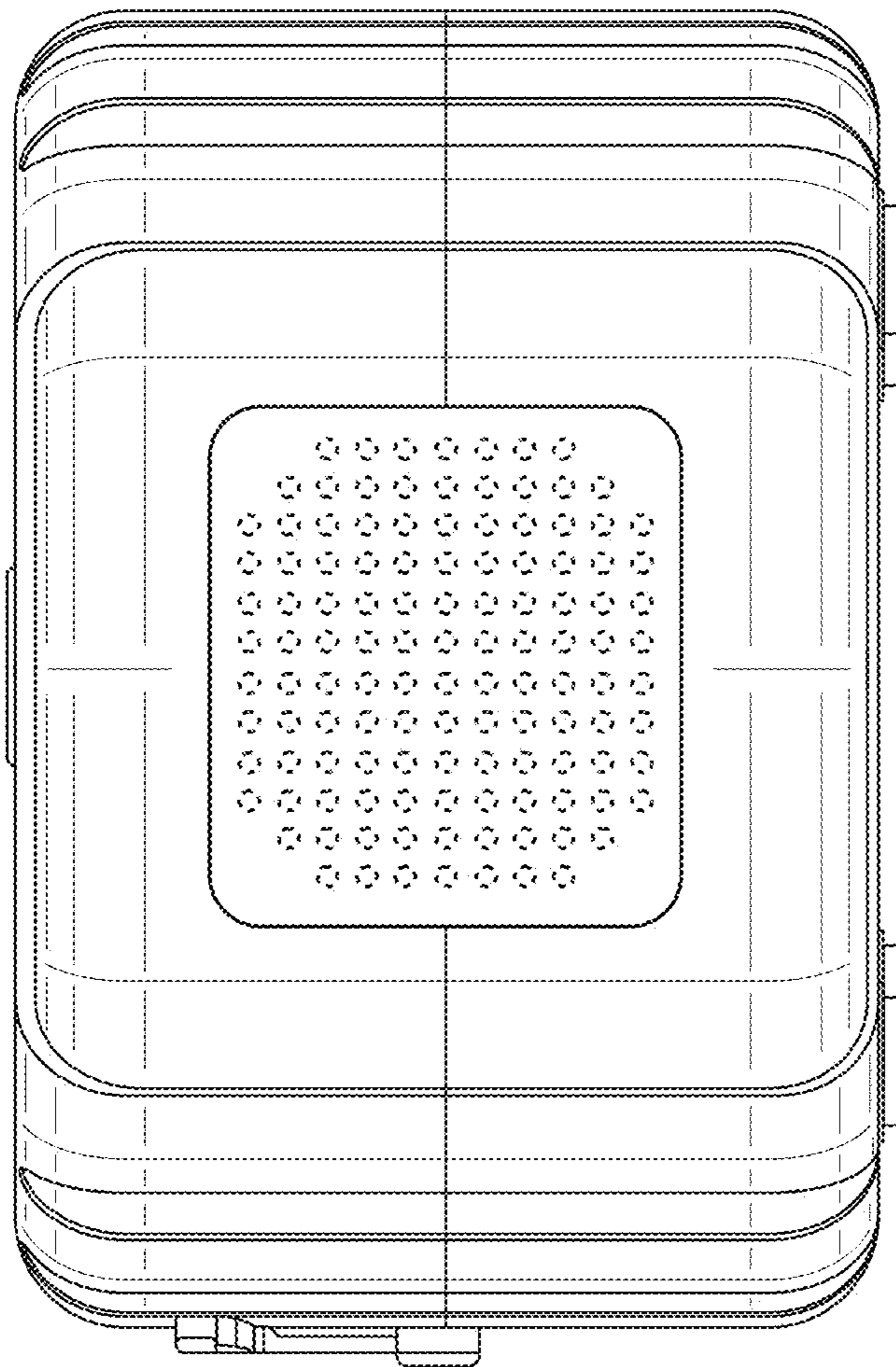


FIG. 12

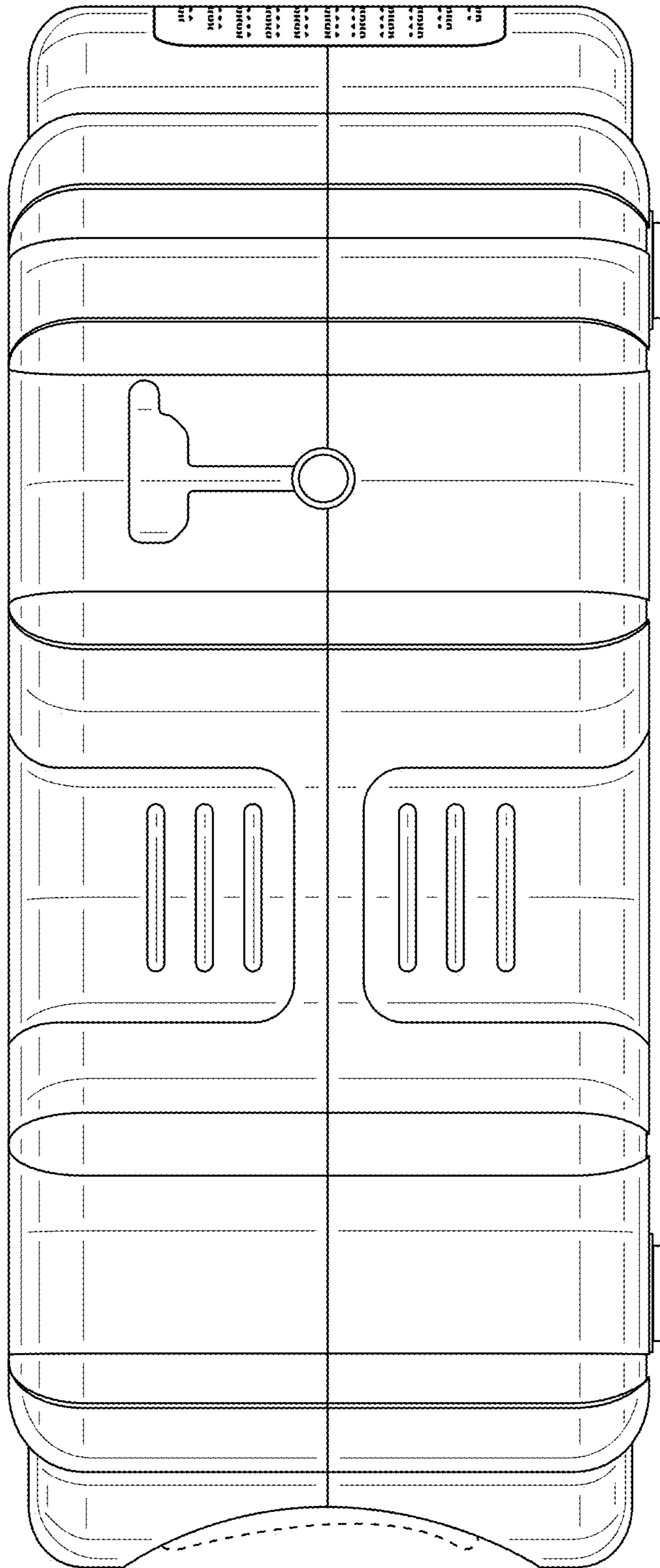


FIG. 13

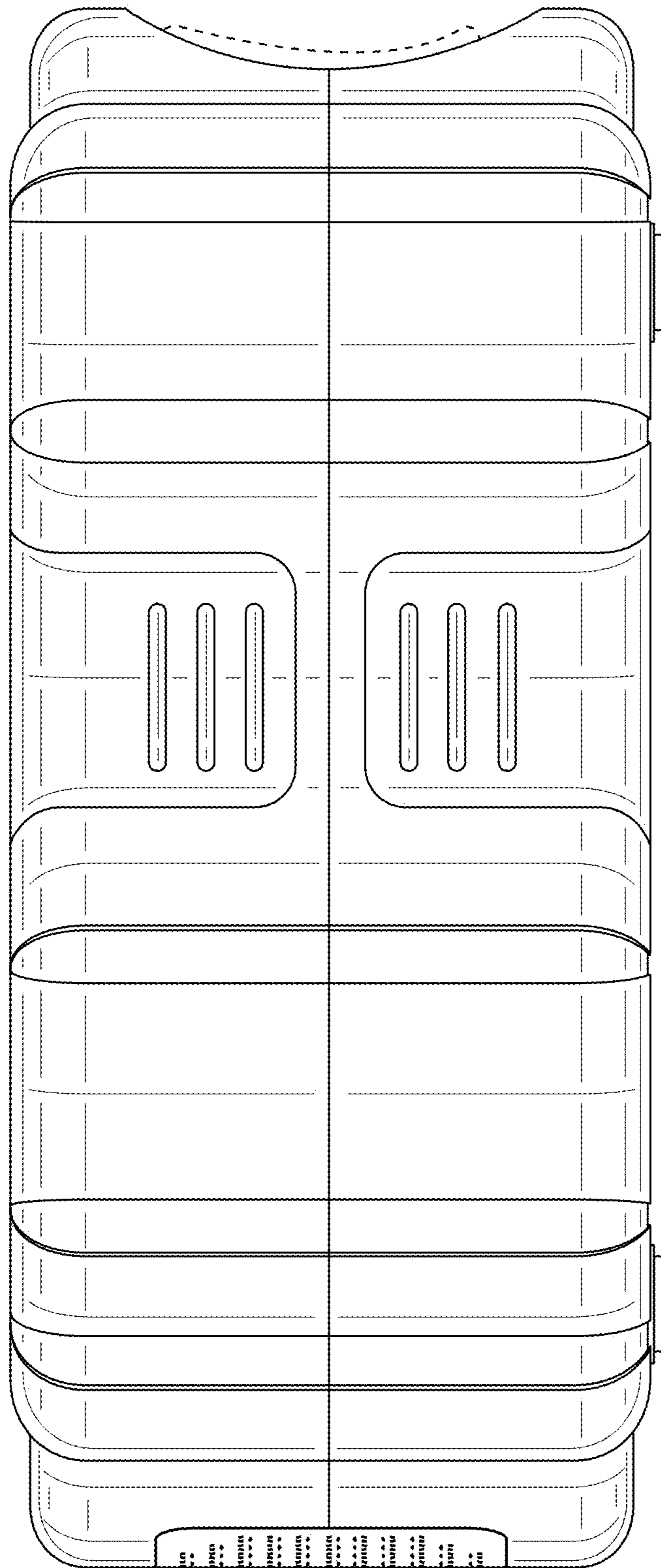


FIG. 14



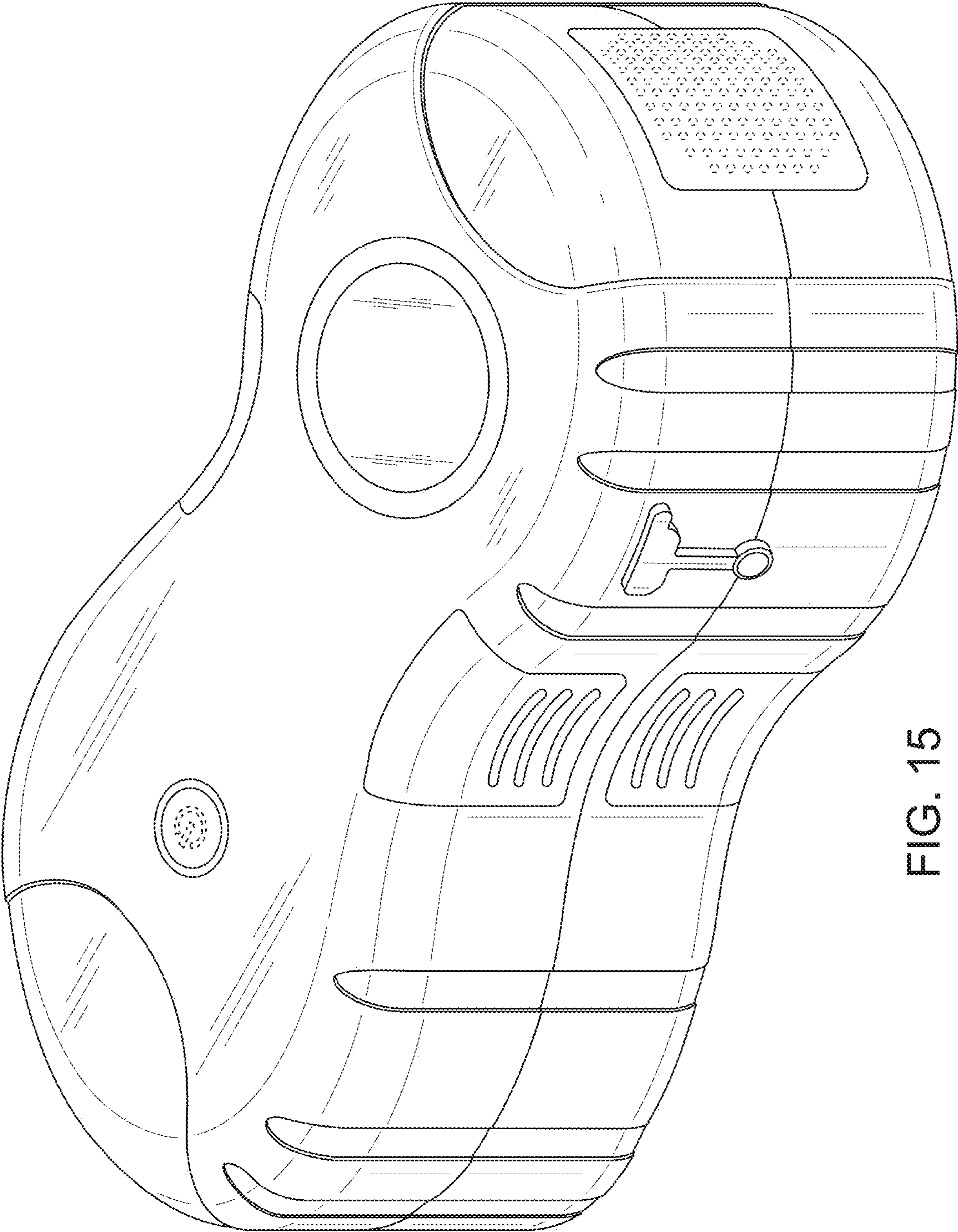


FIG. 15

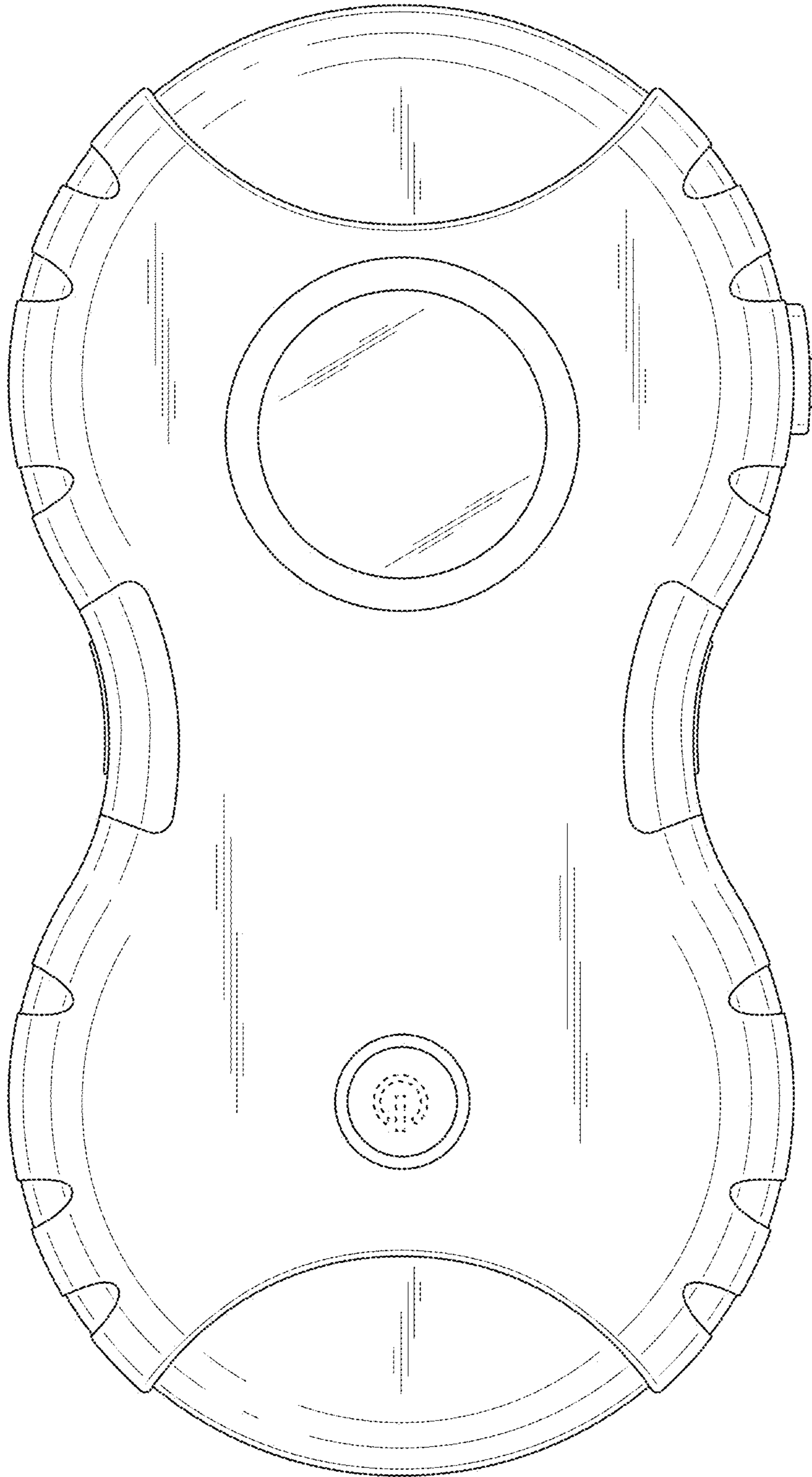


FIG. 16

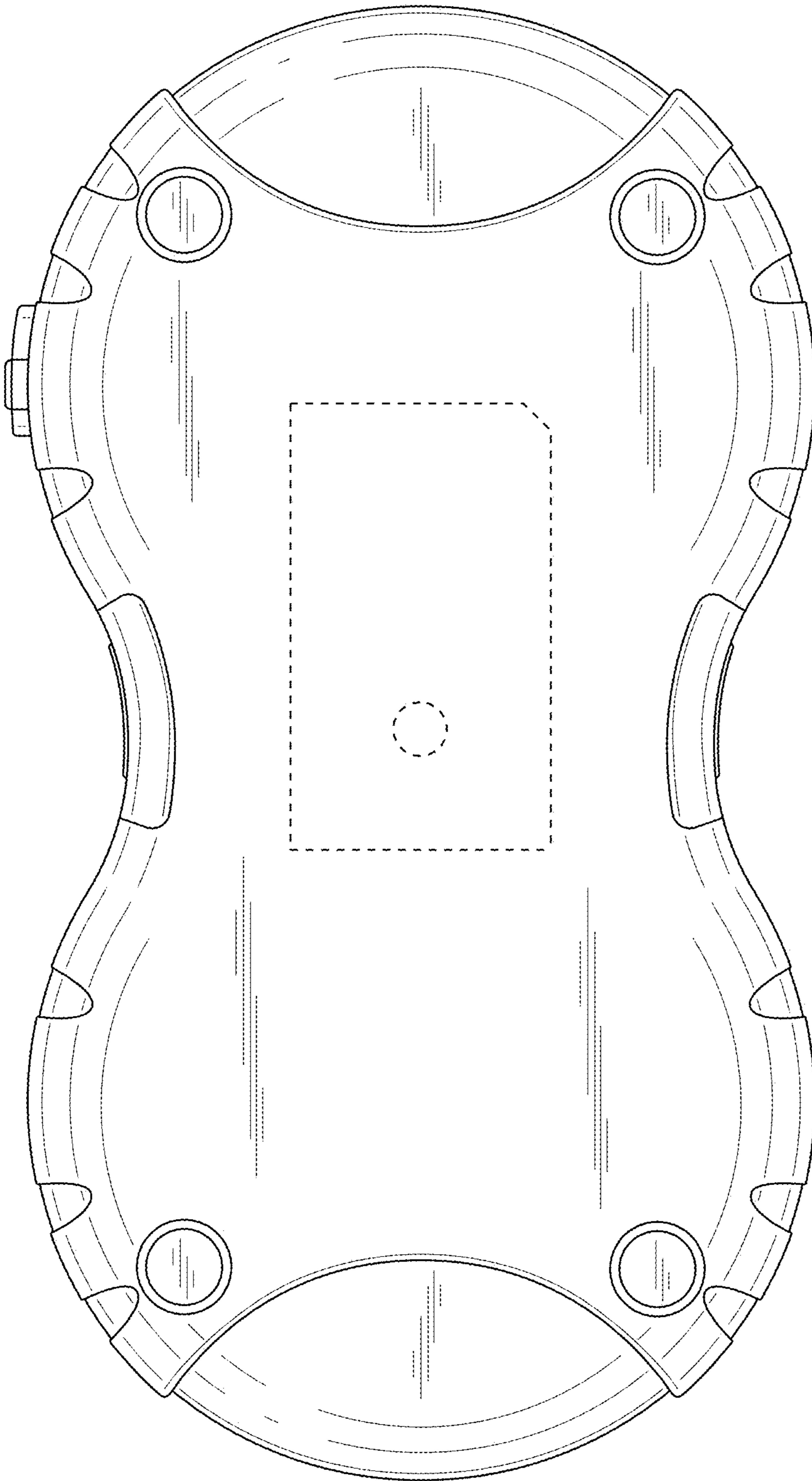


FIG. 17

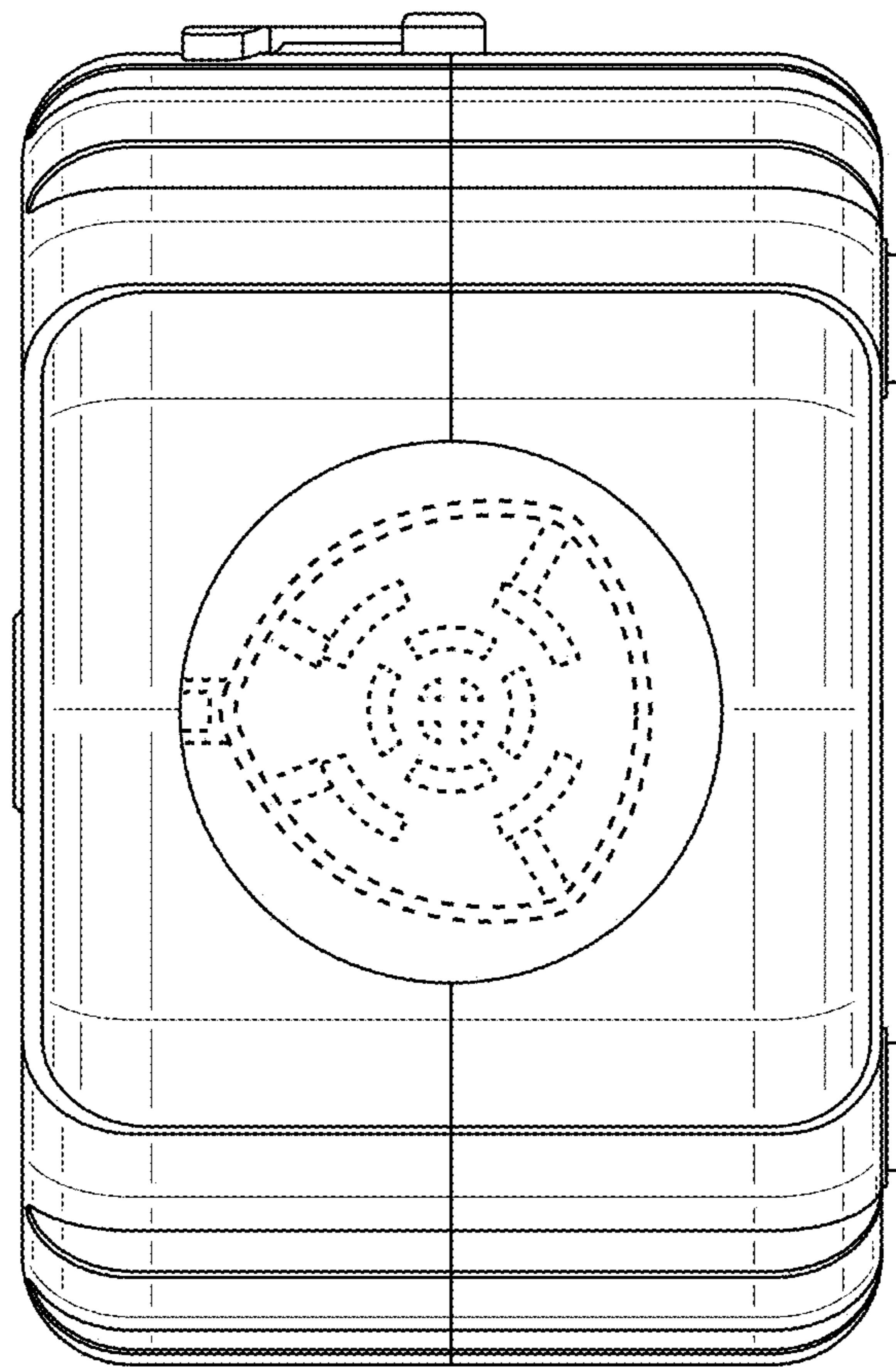


FIG. 18

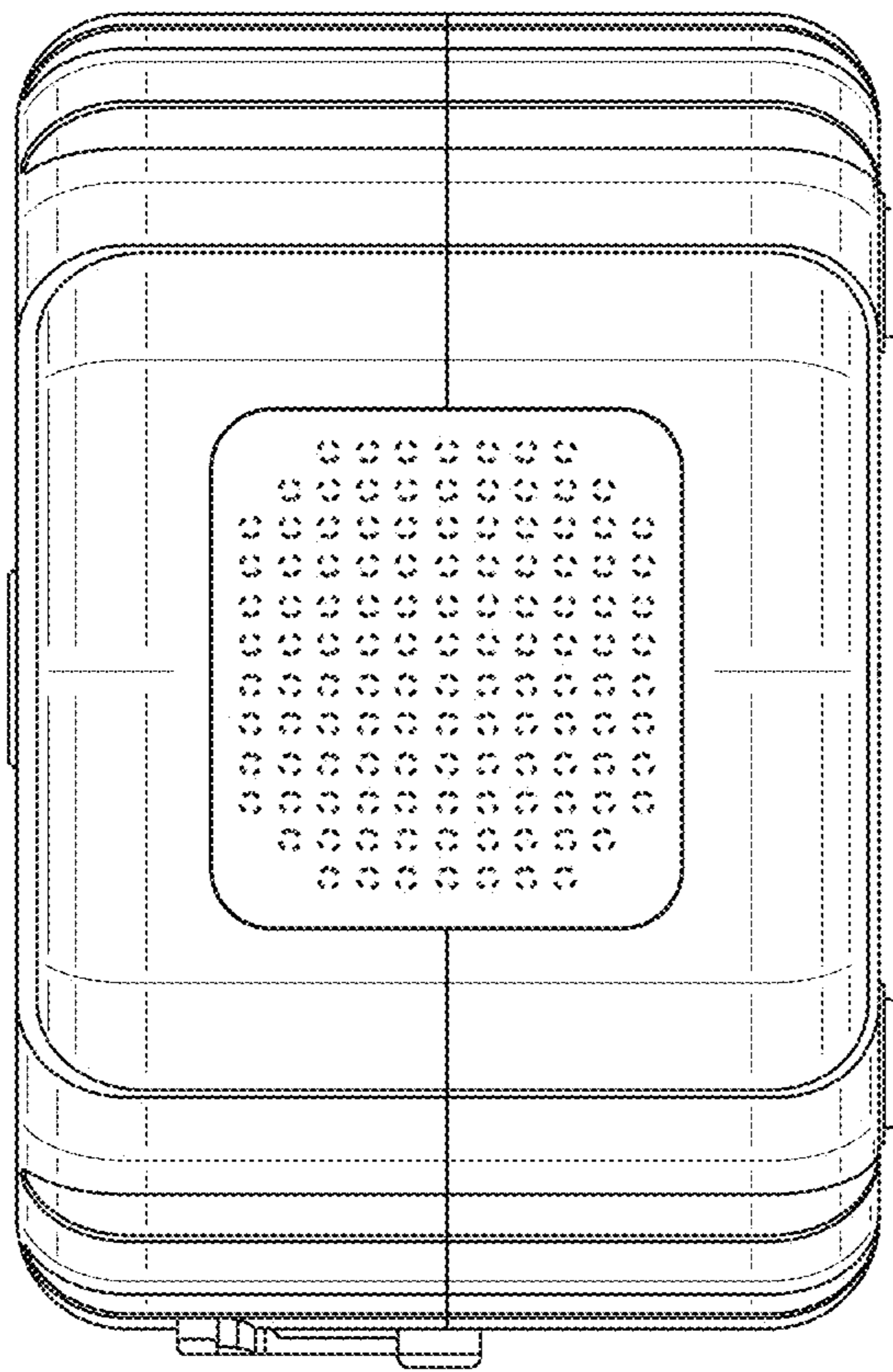


FIG. 19

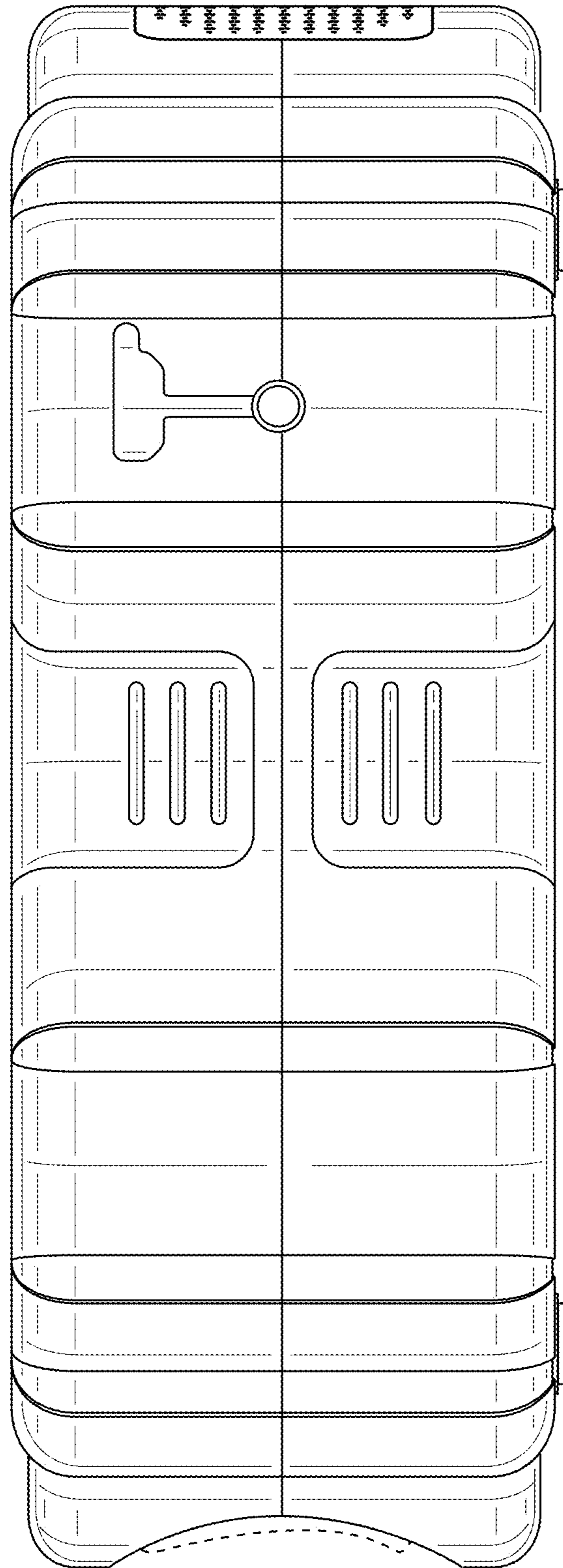


FIG. 20

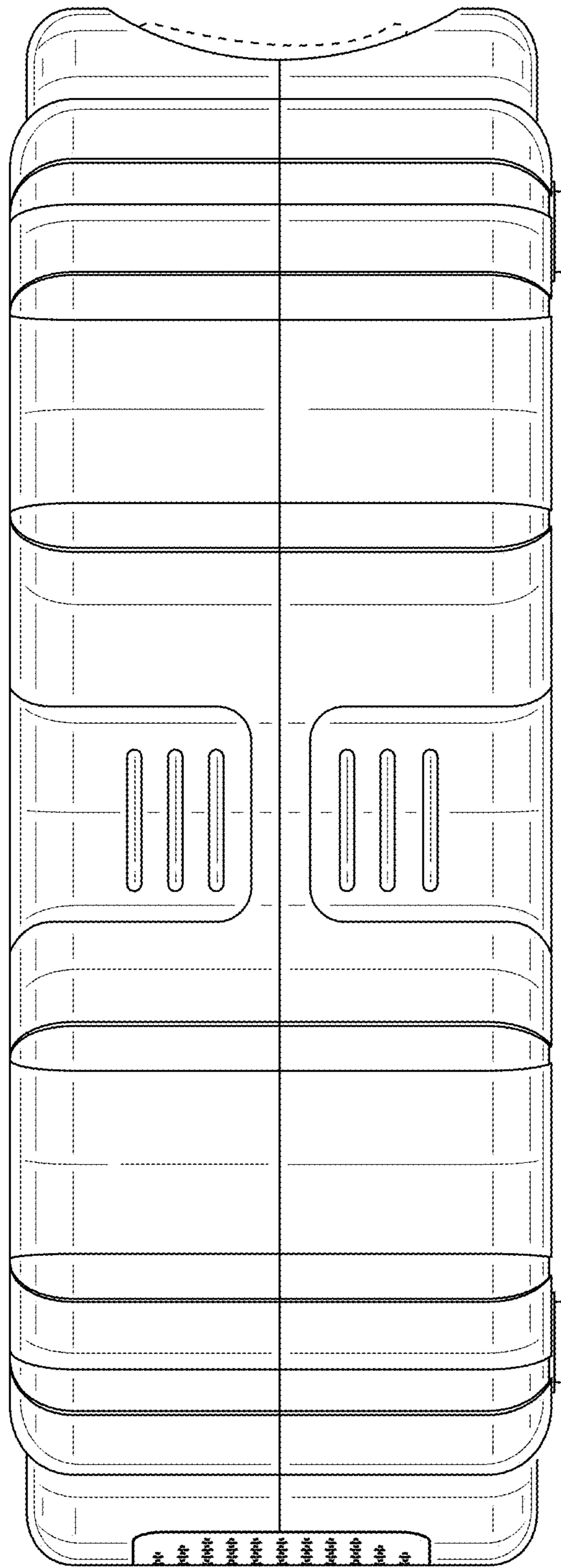


FIG. 21

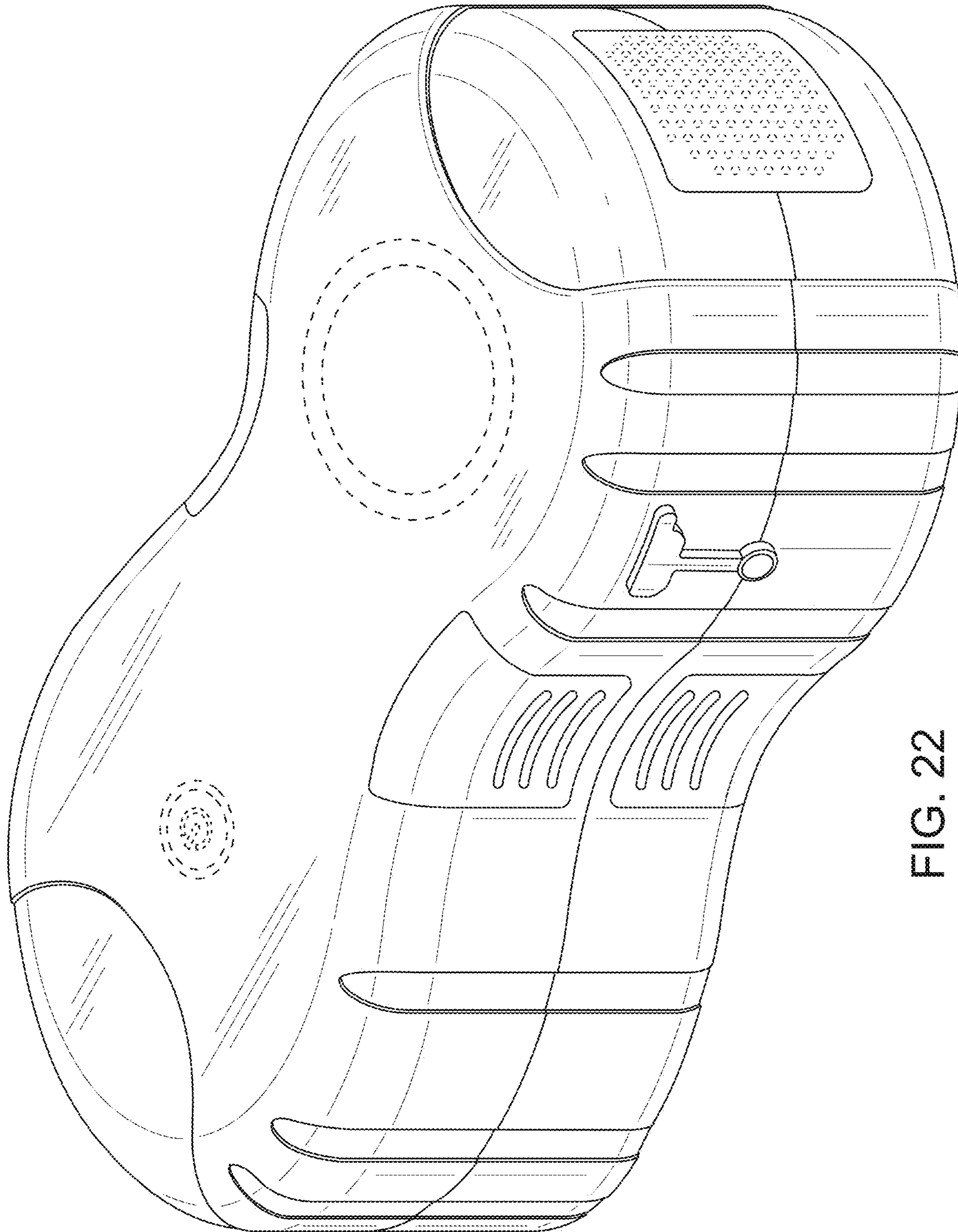


FIG. 22



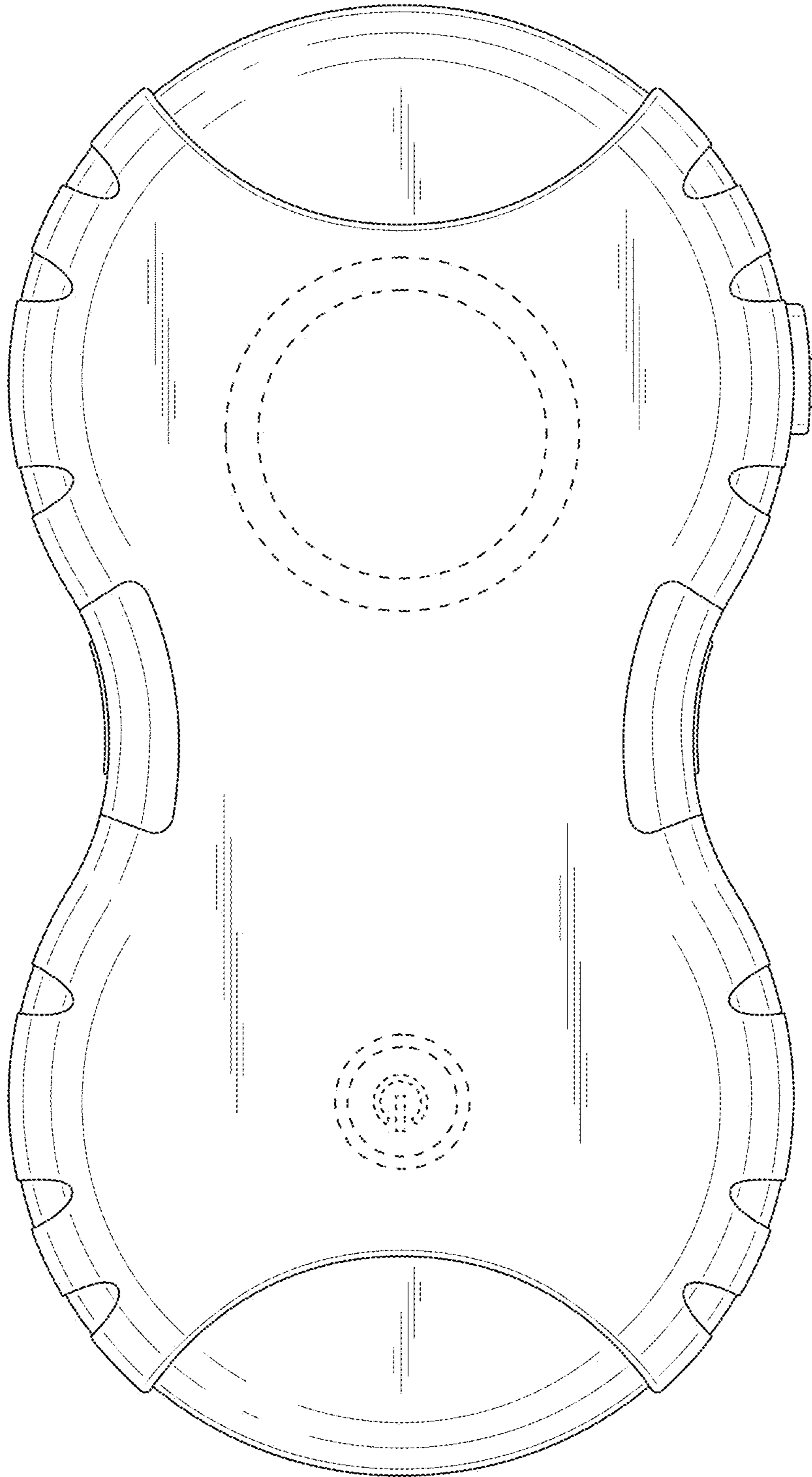


FIG. 23

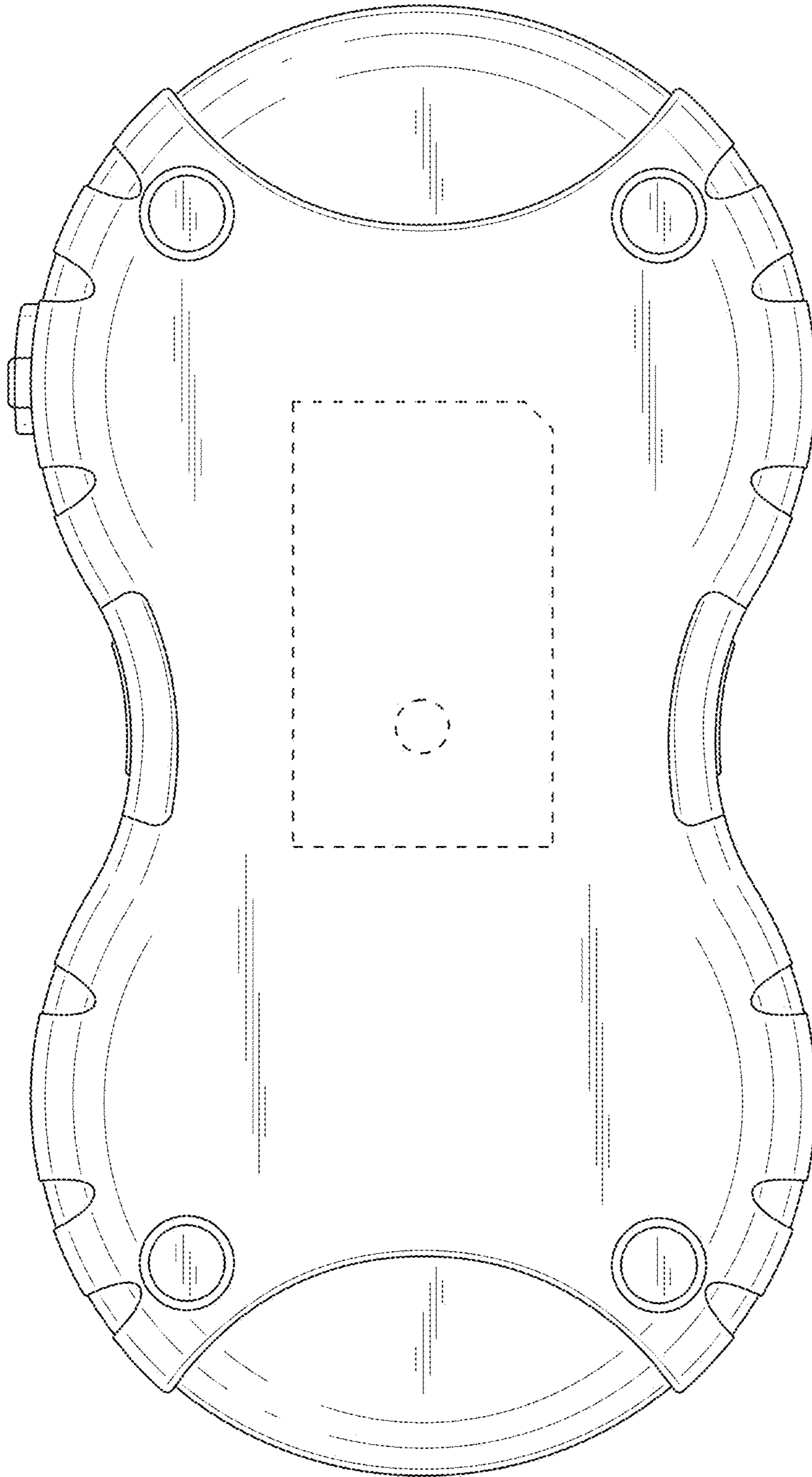


FIG. 24

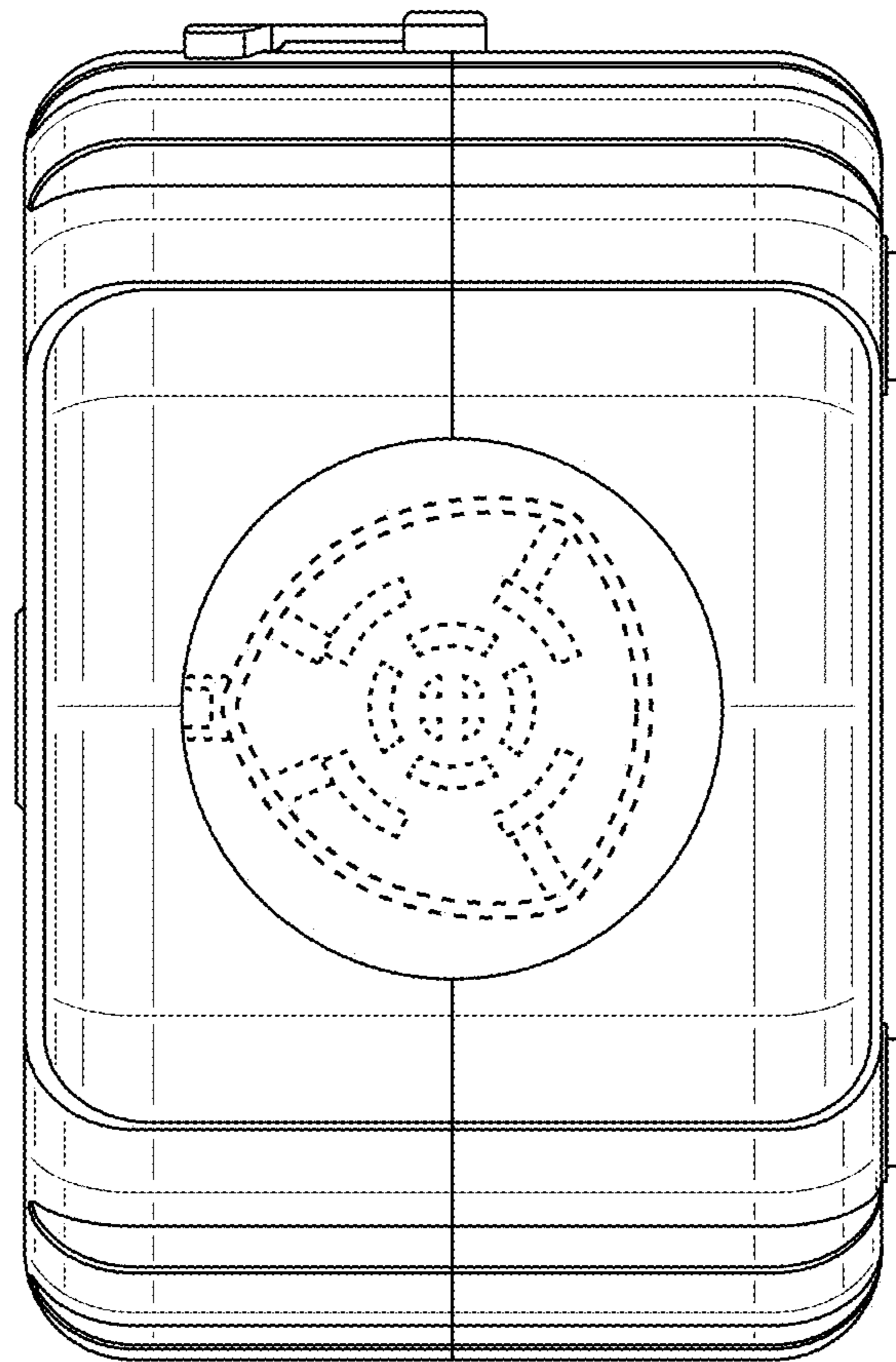


FIG. 25

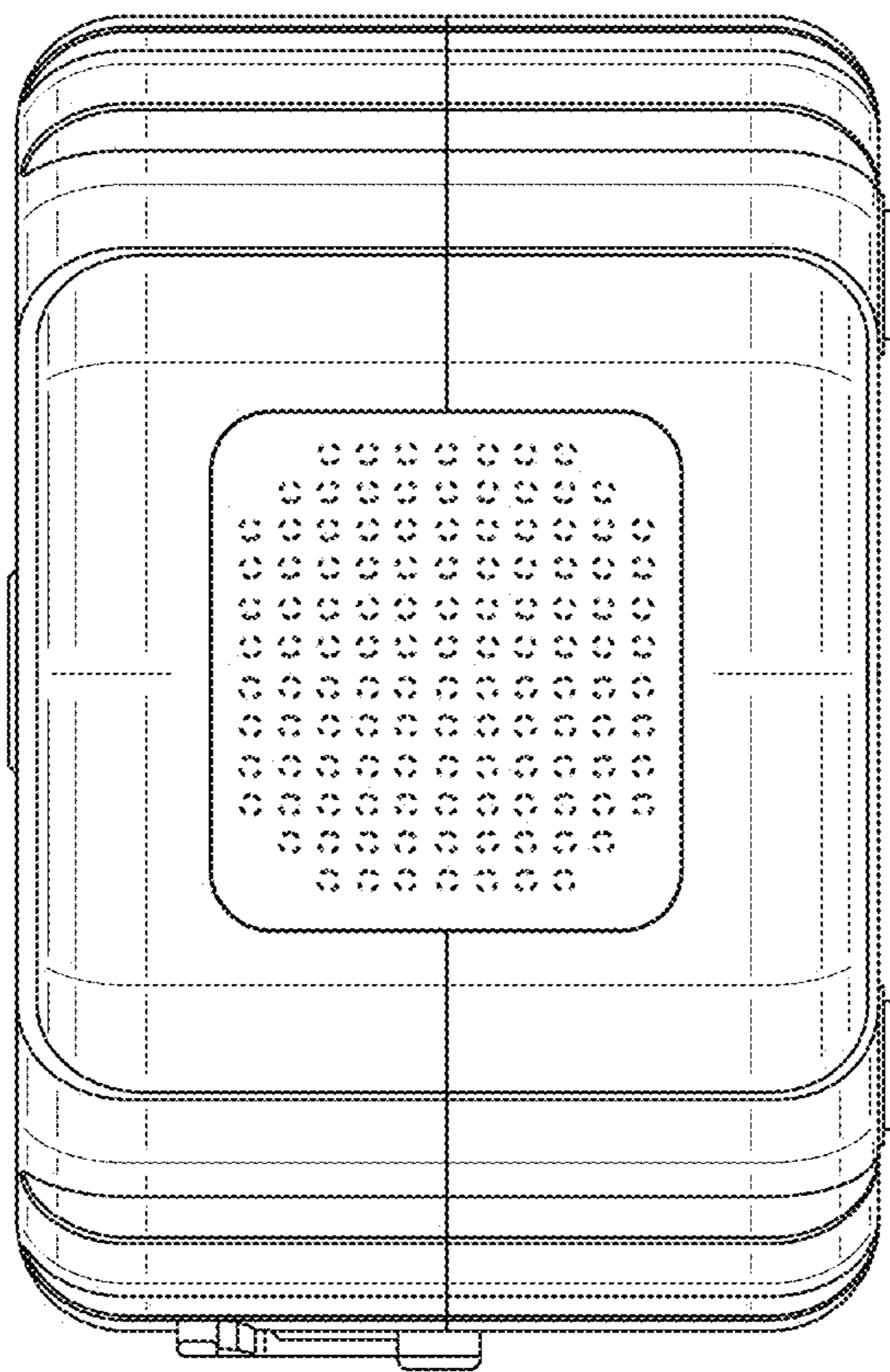


FIG. 26

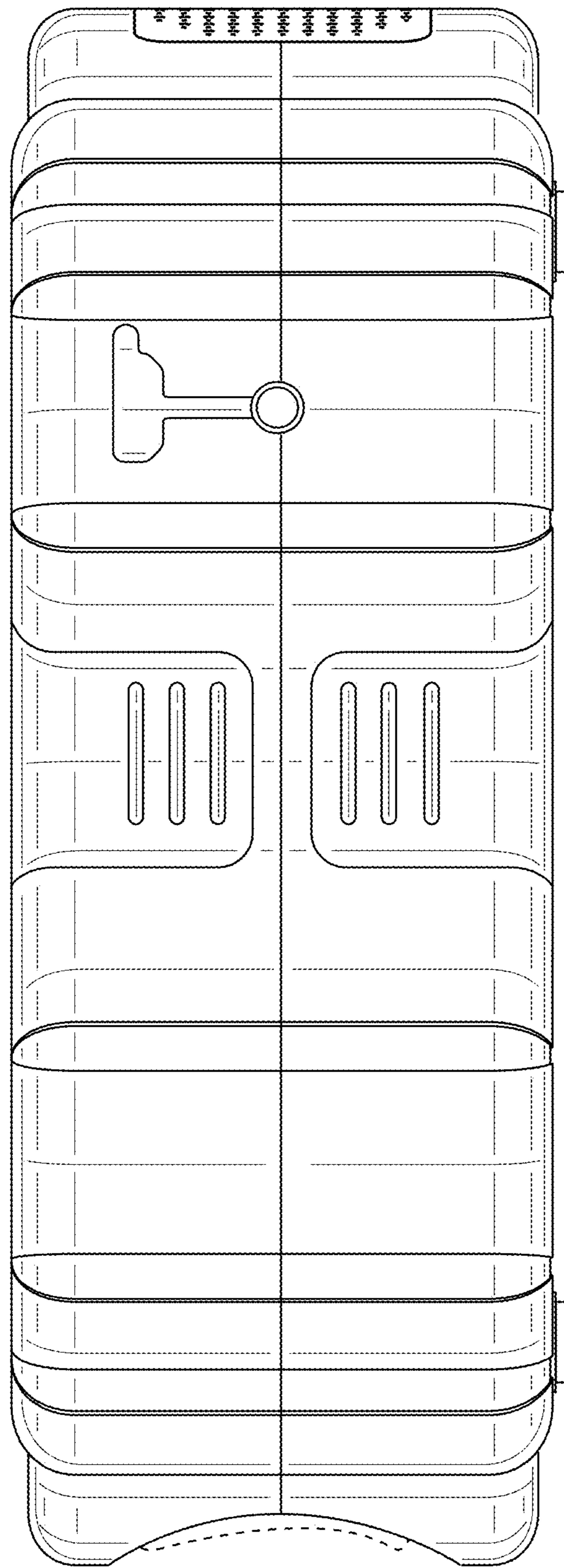


FIG. 27

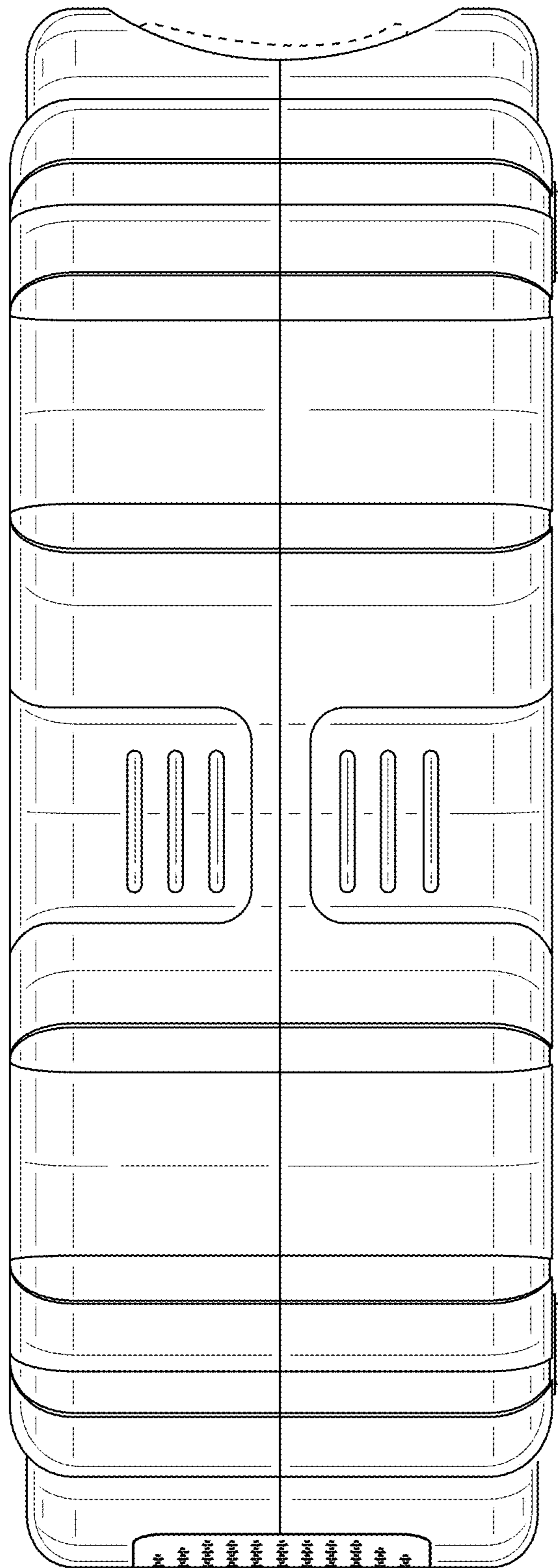


FIG. 28