



US00D898883S

(12) **United States Design Patent**
Jin

(10) **Patent No.:** **US D898,883 S**
(45) **Date of Patent:** **** Oct. 13, 2020**

(54) **POTTY CHAIR**

6,341,386 B1 * 1/2002 Phillips A47K 11/06
4/479

(71) Applicant: **ZHEJIANG JIKE**
INDUSTRY&TRADE CO., LTD,
Yongkang (Zhejiang Province) (CN)

D600,786 S * 9/2009 Lovatt D23/296
9,936,843 B2 * 4/2018 Marsden A47K 11/06
2011/0030134 A1 * 2/2011 Dubiel A47K 11/06
4/483

(72) Inventor: **Zhong Jin**, Yongkang (CN)

* cited by examiner

(73) Assignee: **ZHEJIANG JIKE**
INDUSTRY&TRADE CO., LTD,
Yongkang (CN)

Primary Examiner — Robert A Delehanty
(74) *Attorney, Agent, or Firm* — Yong Chen

(**) Term: **15 Years**

(21) Appl. No.: **29/695,504**

(22) Filed: **Jun. 19, 2019**

(51) **LOC (12) Cl.** **23-02**

(52) **U.S. Cl.**
USPC **D23/296**

(58) **Field of Classification Search**
USPC D23/296, 299, 303, 309
CPC A47K 13/06; Y10S 4/902
See application file for complete search history.

(56) **References Cited**

U.S. PATENT DOCUMENTS

3,428,967 A * 2/1969 Hughes A47K 11/04
4/484
5,978,976 A * 11/1999 Chai A47K 11/04
4/483

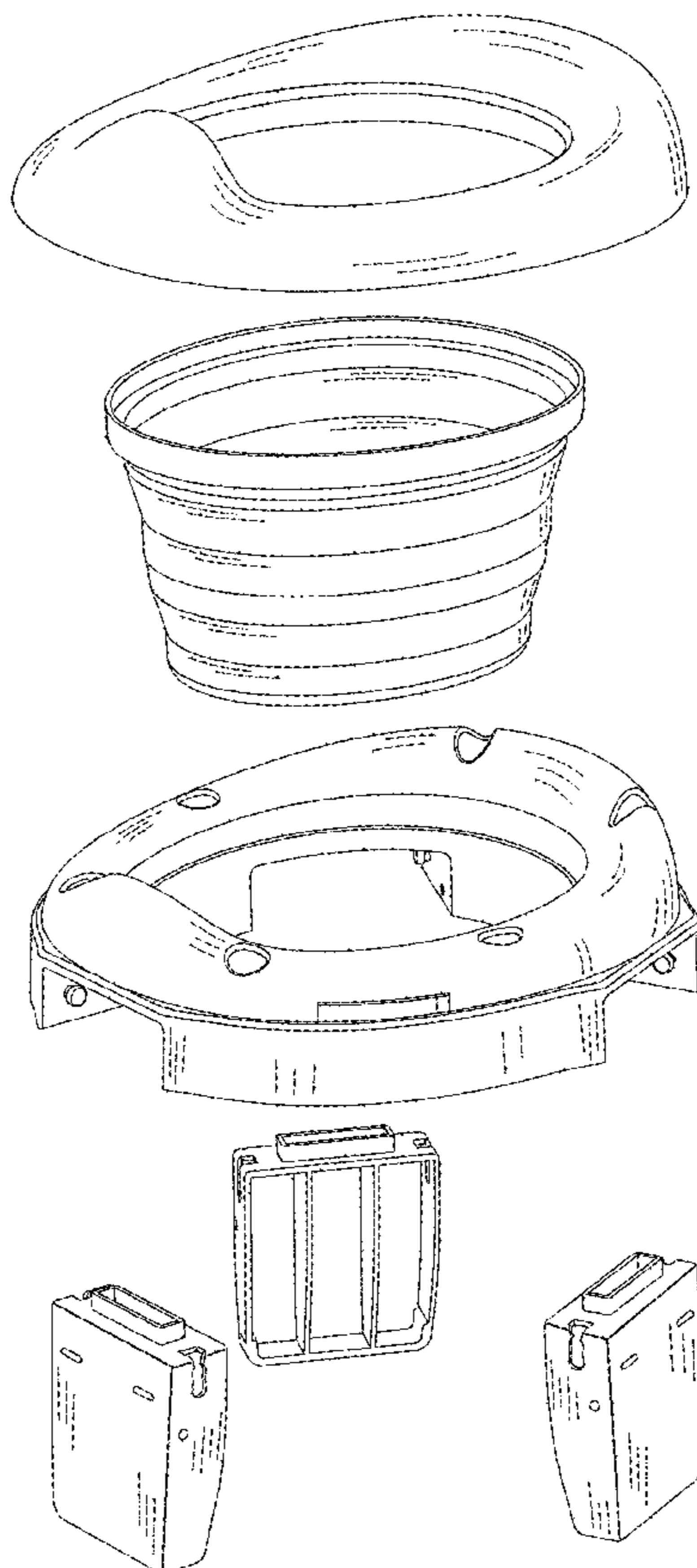
(57) **CLAIM**

The ornamental design for a potty chair, as shown and described.

DESCRIPTION

FIG. 1 is a front view of a potty chair of the present invention.
FIG. 2 is a rear view thereof.
FIG. 3 is a left view thereof.
FIG. 4 is a top view thereof.
FIG. 5 is a bottom view thereof.
FIG. 6 is a perspective view thereof; and,
FIG. 7 is an exploded view thereof showing parts of the potty chair and their spatial relationship.

1 Claim, 7 Drawing Sheets



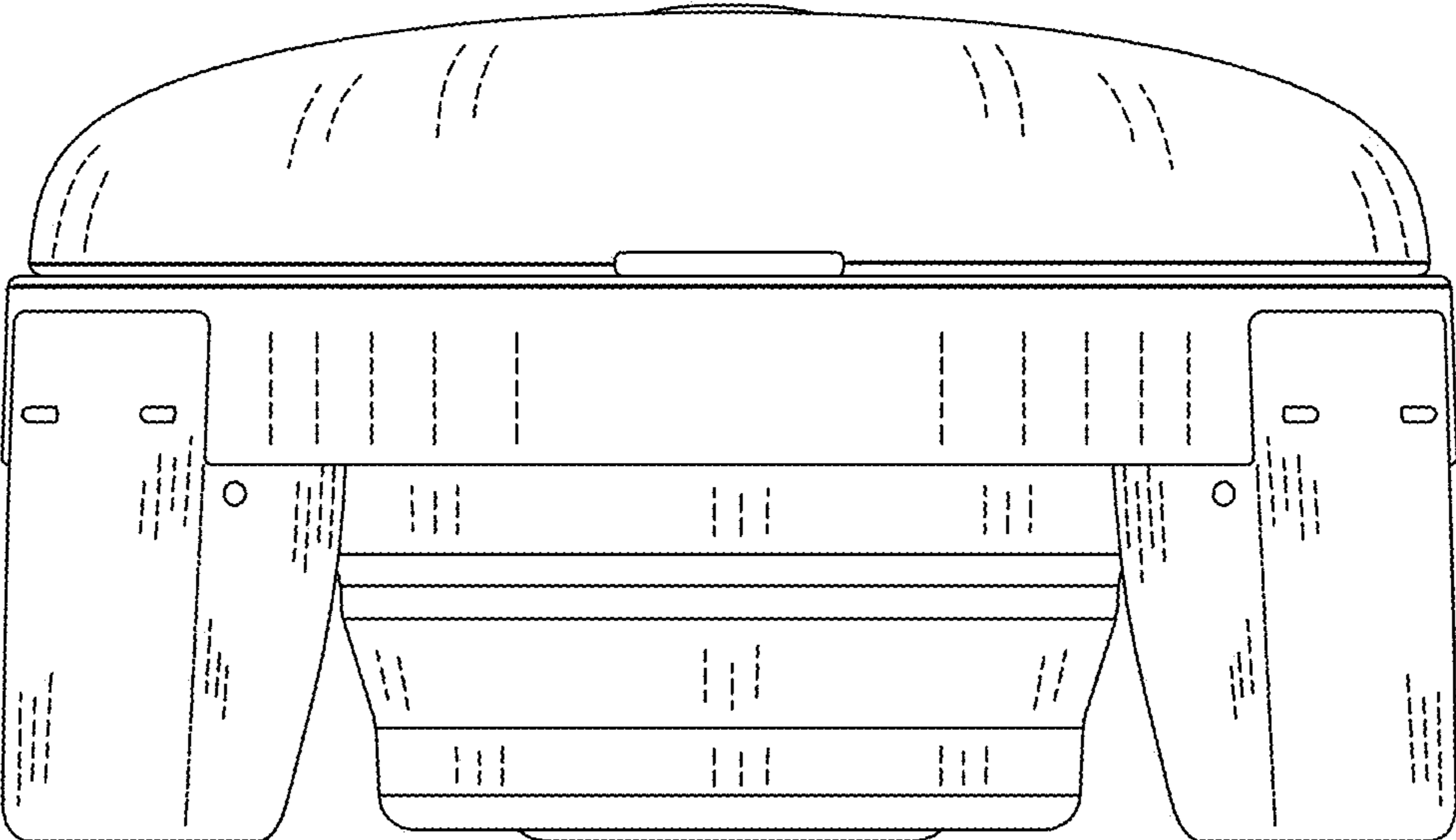


FIG. 1

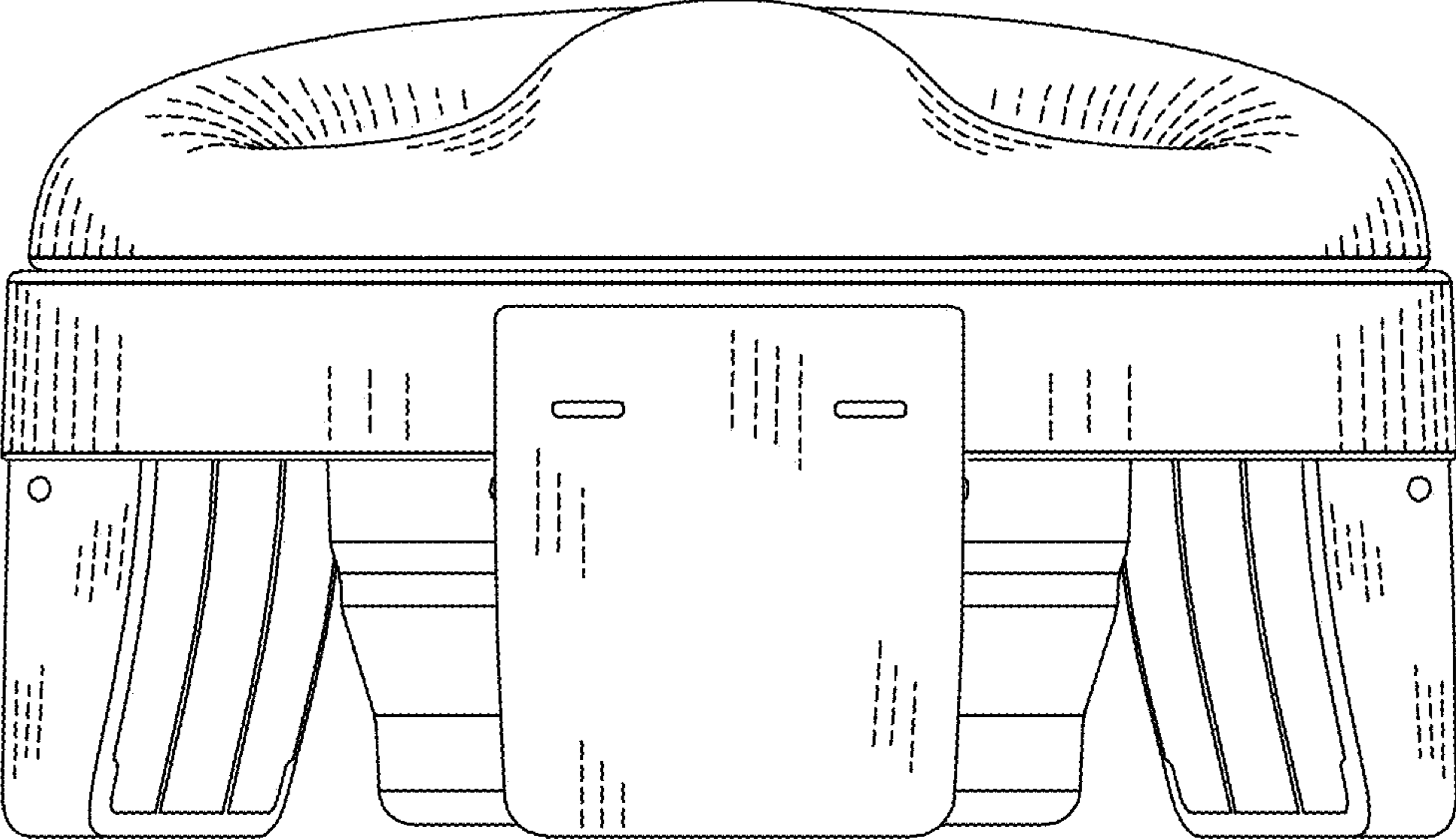


FIG. 2

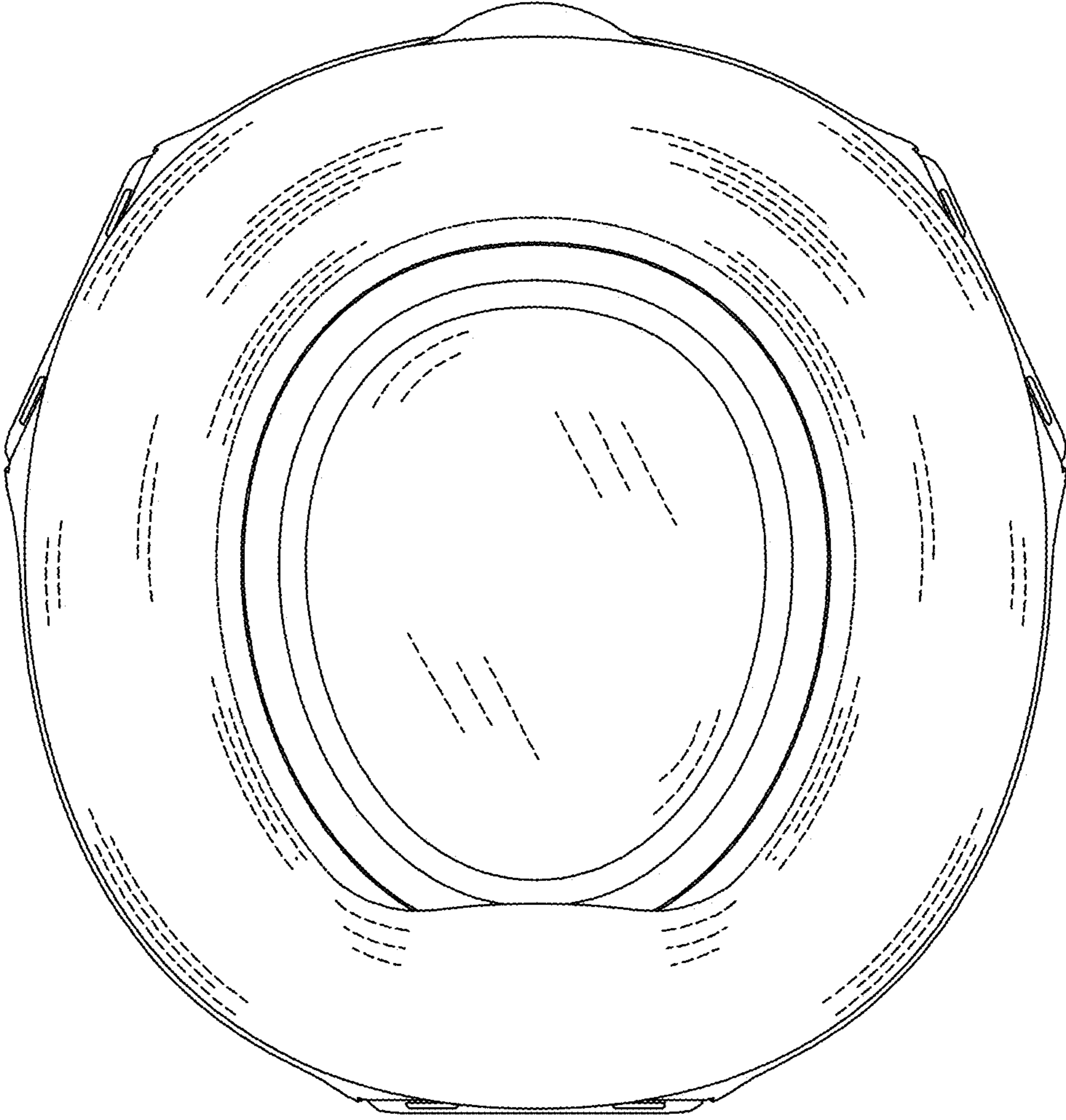


FIG. 3

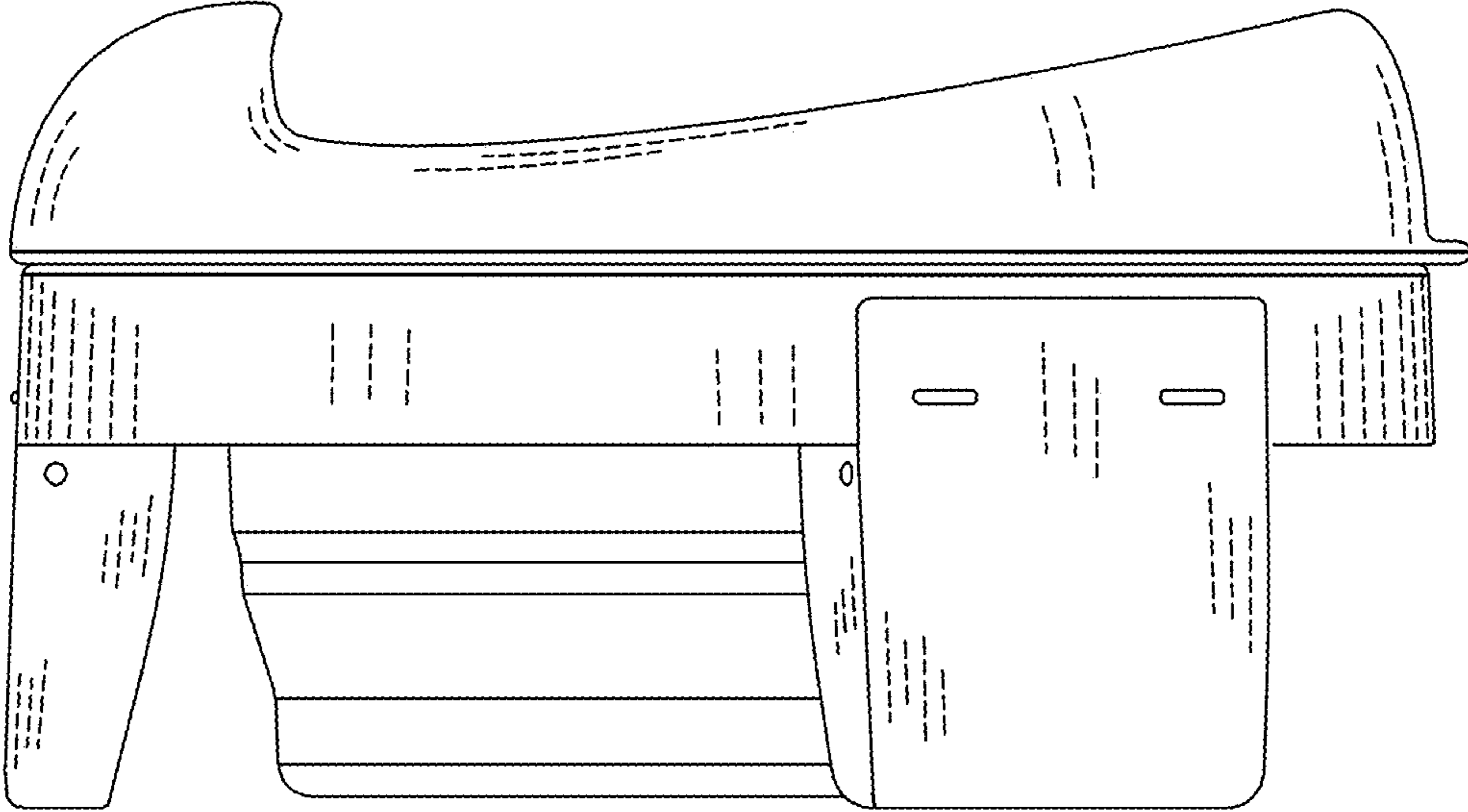


FIG. 4

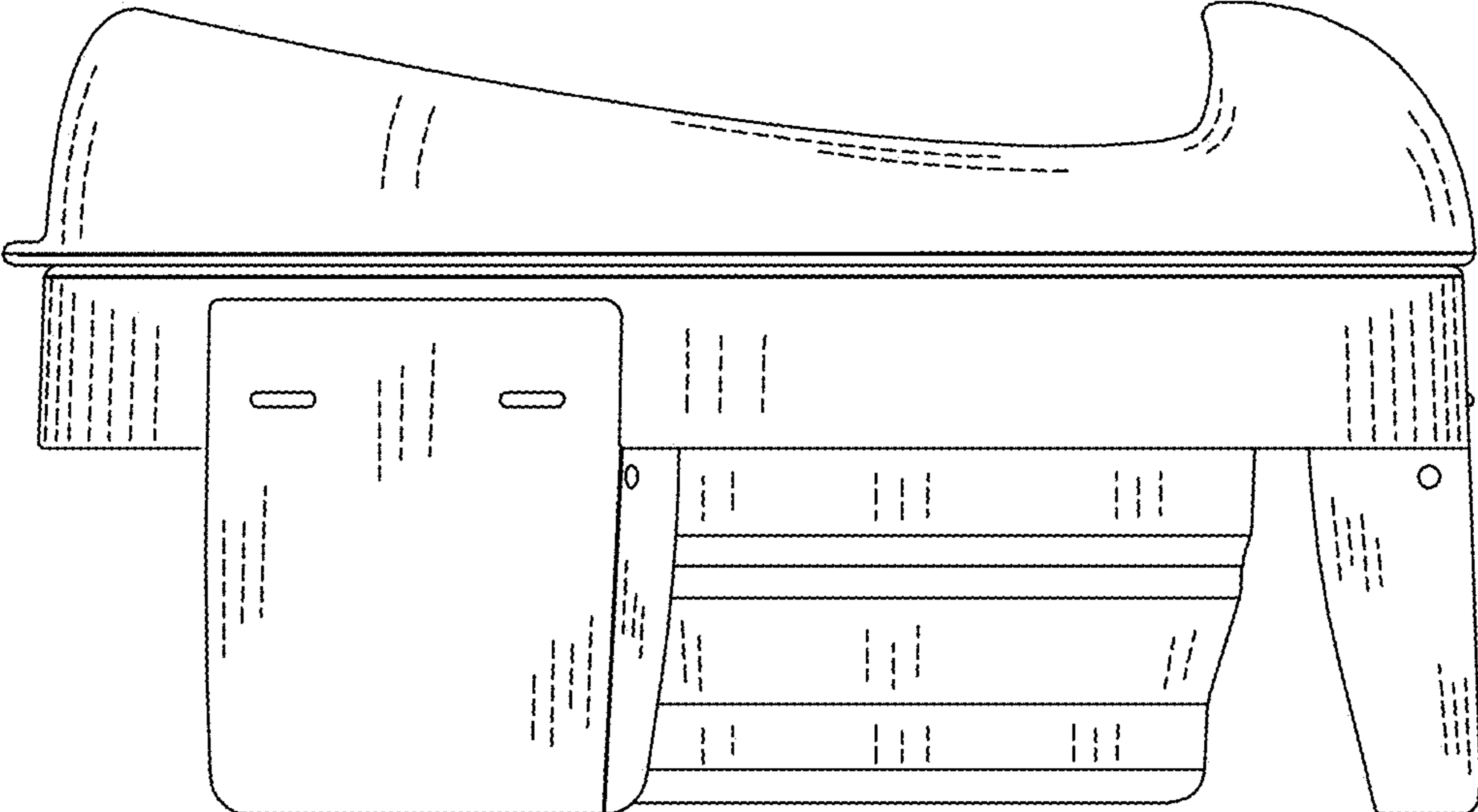


FIG. 5

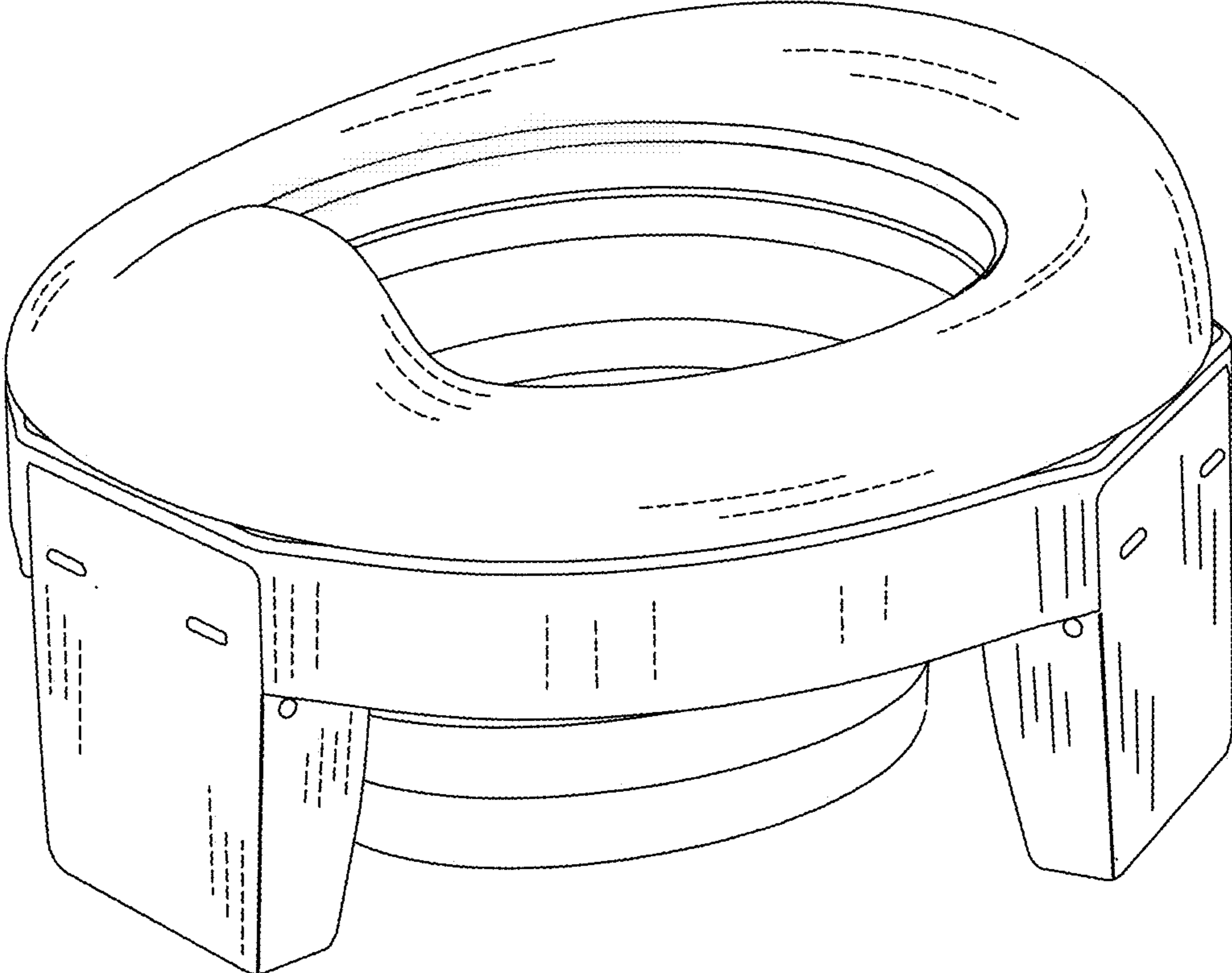


FIG. 6

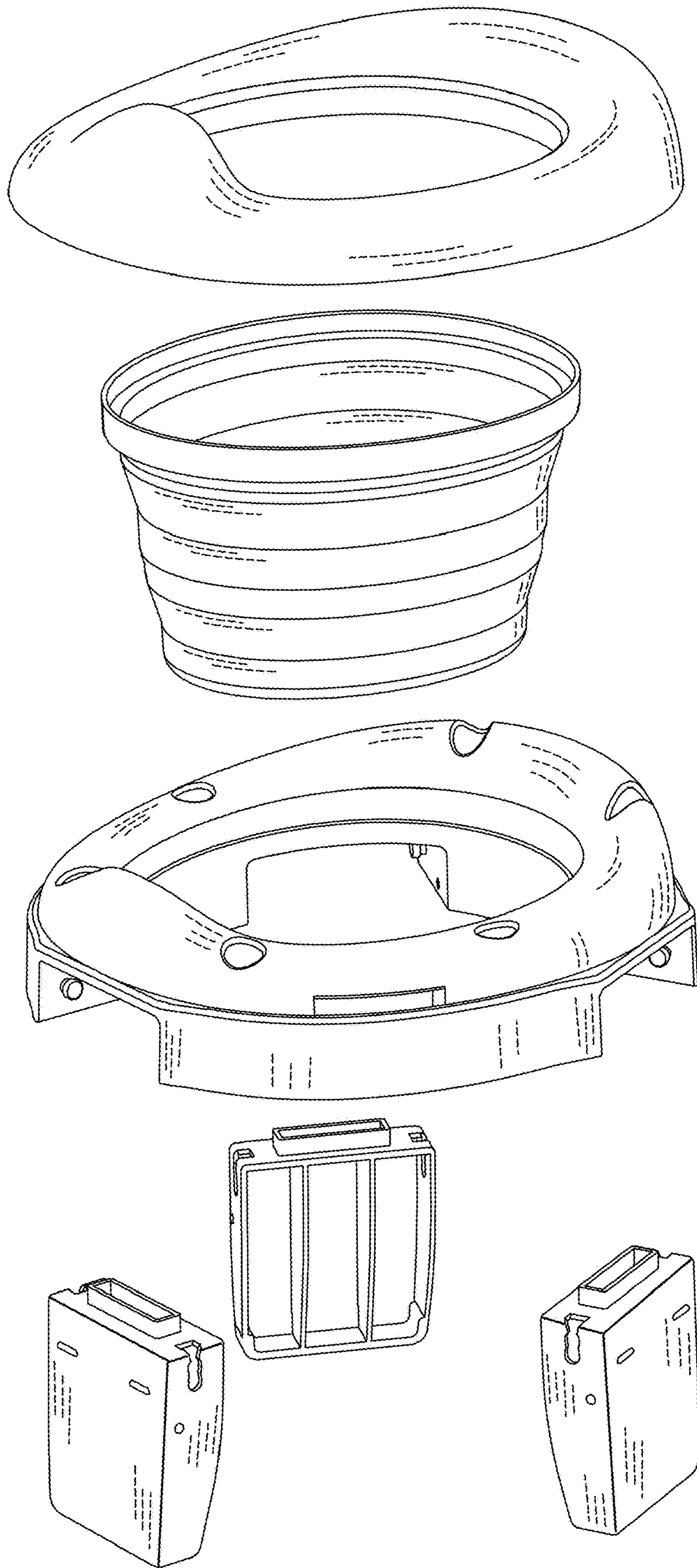


FIG. 7