



US00D898881S

(12) **United States Design Patent**
Chapman et al.

(10) **Patent No.:** **US D898,881 S**

(45) **Date of Patent:** **** Oct. 13, 2020**

(54) **HOSE SLEEVE**

(71) Applicant: **TEKNOR APEX COMPANY,**
Pawtucket, RI (US)

(72) Inventors: **Timothy L. Chapman,** Stanton, TN
(US); **Michael Melo,** North Dartmouth,
MA (US); **Jimmy L. Deese,** Friendship,
TN (US)

(73) Assignee: **TEKNOR APEX COMPANY,**
Pawtucket, RI (US)

(**) Term: **15 Years**

(21) Appl. No.: **29/705,829**

(22) Filed: **Sep. 16, 2019**

(51) **LOC (12) Cl.** **23-01**

(52) **U.S. Cl.**
USPC **D23/266**

(58) **Field of Classification Search**

USPC D23/221, 227–228, 249, 259–260, 262,
D23/264–266, 213–214; D13/133, 150,
D13/154–156; 285/345, 377, 388, 390,
285/148.14, 148.19, 148.21, 148.2, 328,
285/921, 125.1, 126.1, 129.2, 132.1,
285/360–361, 376, 396, 401–402, 123.15,
285/294.1, 294.4, 15–16, 45, 48–50, 53,
285/148.22, 235; 251/143, 146–152;
137/247.51; D24/129; 138/96 R,
138/109–110, 118–118.1, 125, 128, 135,
138/155–156, 167, 169, 177
CPC ... F16L 25/0027; F16L 3/1075; F16L 3/1091;
F16L 58/184

See application file for complete search history.

(56) **References Cited**

U.S. PATENT DOCUMENTS

D409,729 S * 5/1999 Dreyfus D23/266
D512,492 S * 12/2005 Lipscomb D23/259

D583,915 S * 12/2008 Tiberghien D23/263
D616,969 S * 6/2010 Zore D23/262
D624,161 S * 9/2010 Zore D23/262
D707,334 S * 6/2014 Hernandez D23/266
D716,419 S * 10/2014 Hernandez D23/259
D718,846 S * 12/2014 Koskie D23/262
D719,646 S * 12/2014 Melo D23/266
D719,647 S * 12/2014 Melo D23/266
D723,670 S * 3/2015 Lorraine D23/266
D748,763 S * 2/2016 Berardi D23/262
2014/0246851 A1 * 9/2014 Mager F16L 33/2076
285/256

* cited by examiner

Primary Examiner — Amy C Wierenga

(74) *Attorney, Agent, or Firm* — Hudak, Shunk & Farine
Co. LPA

(57) **CLAIM**

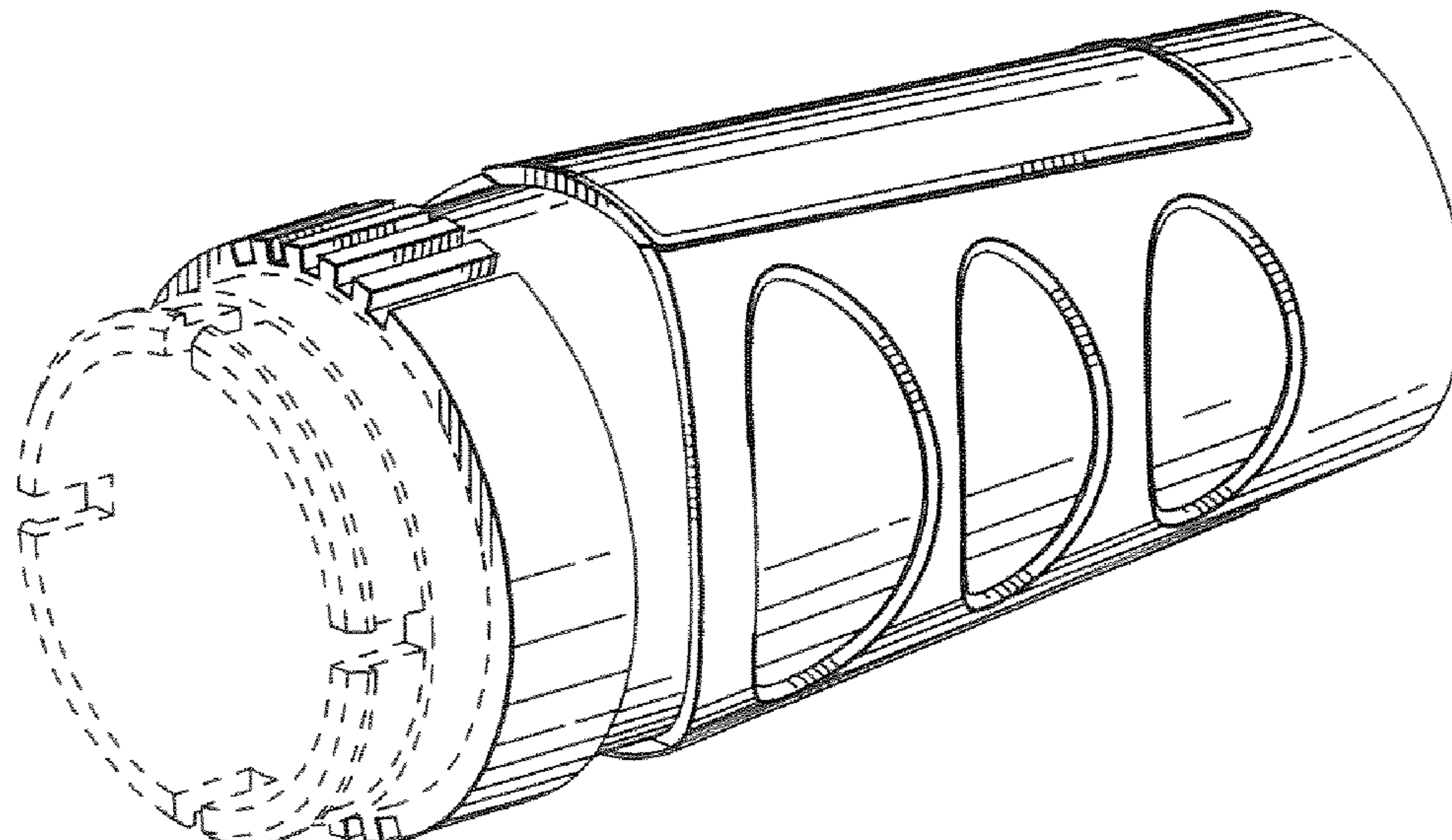
The ornamental design for a hose sleeve, as shown and
described.

DESCRIPTION

FIG. 1 is a front perspective view of a hose sleeve;
FIG. 2 is a front perspective view of the hose sleeve rotated
90° on the longitudinal axis of the hose sleeve from the view
shown in FIG. 1;
FIG. 3 is a side view of the hose sleeve;
FIG. 4 is a side view of the hose sleeve rotated 90° on the
longitudinal axis of the hose sleeve from the view shown in
FIG. 3;
FIG. 5 is a front view of the hose sleeve;
FIG. 6 is a rear view of the hose sleeve;
FIG. 7 is a rear perspective view of the hose sleeve; and,
FIG. 8 is a rear perspective view of the hose sleeve rotated
90° on the longitudinal axis of the hose sleeve from the view
shown in FIG. 7.

The broken lines in the drawings depict portions of the hose
sleeve that form no part of the claimed design.

1 Claim, 3 Drawing Sheets



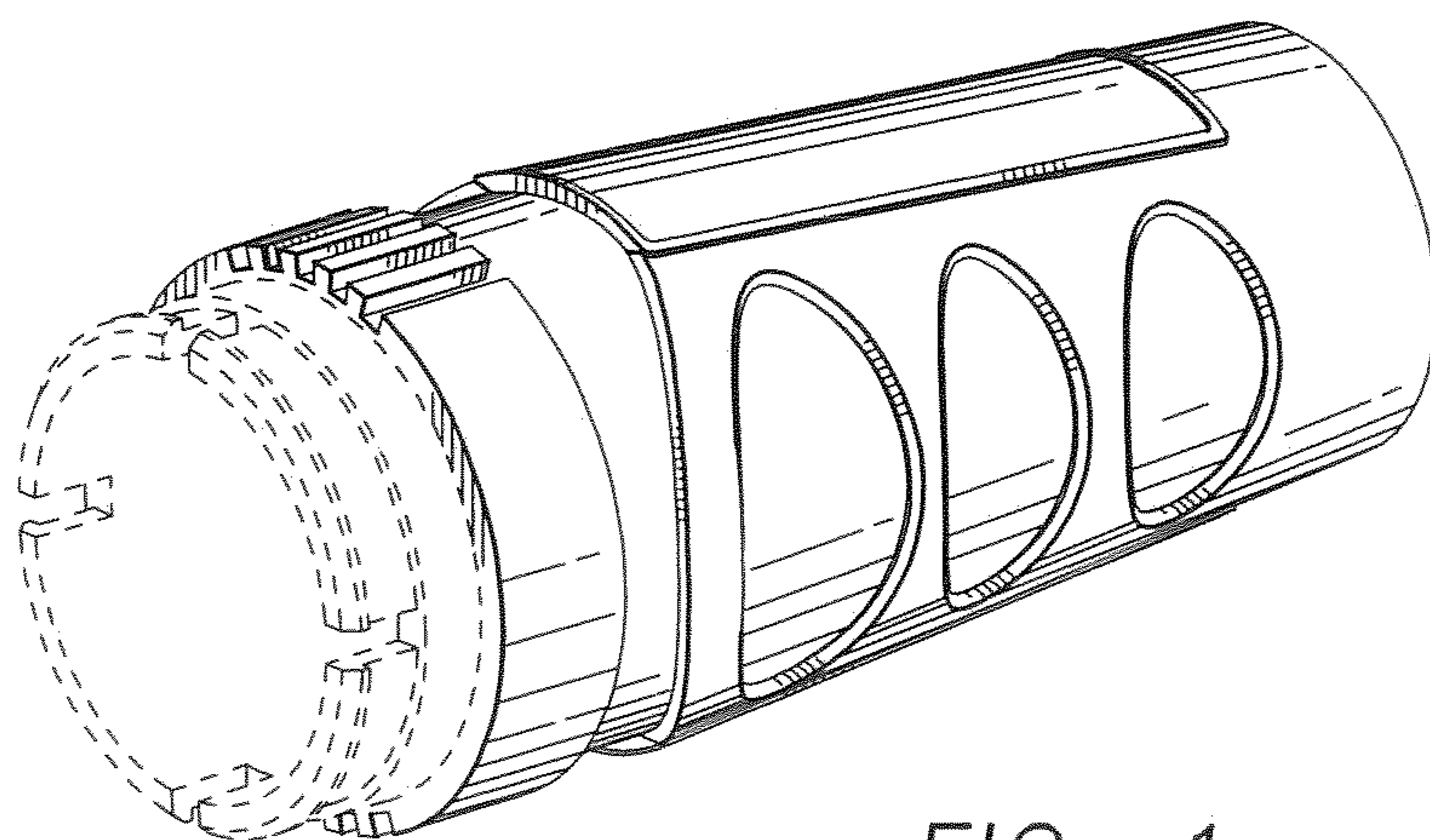


FIG. 1

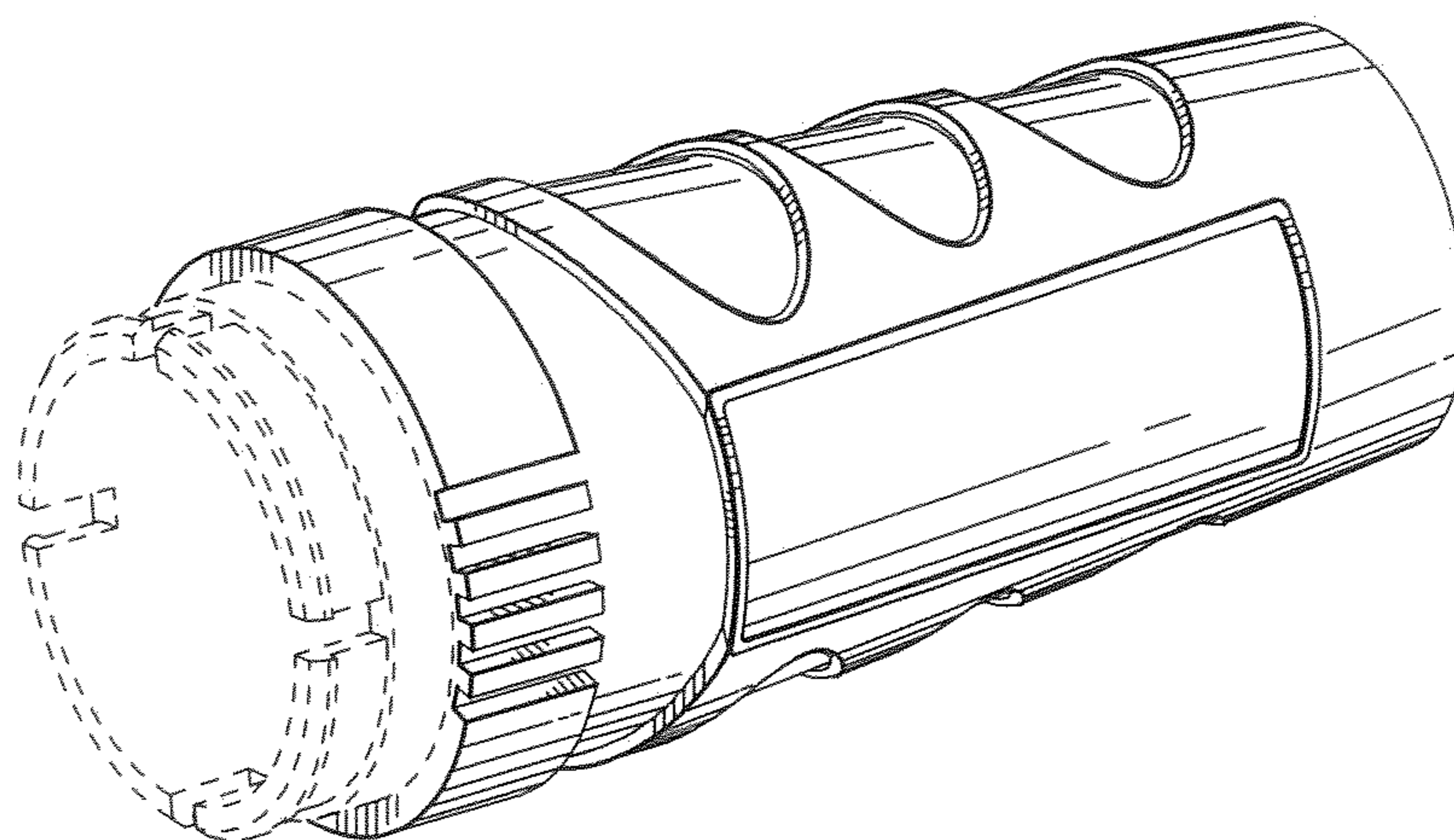


FIG. 2

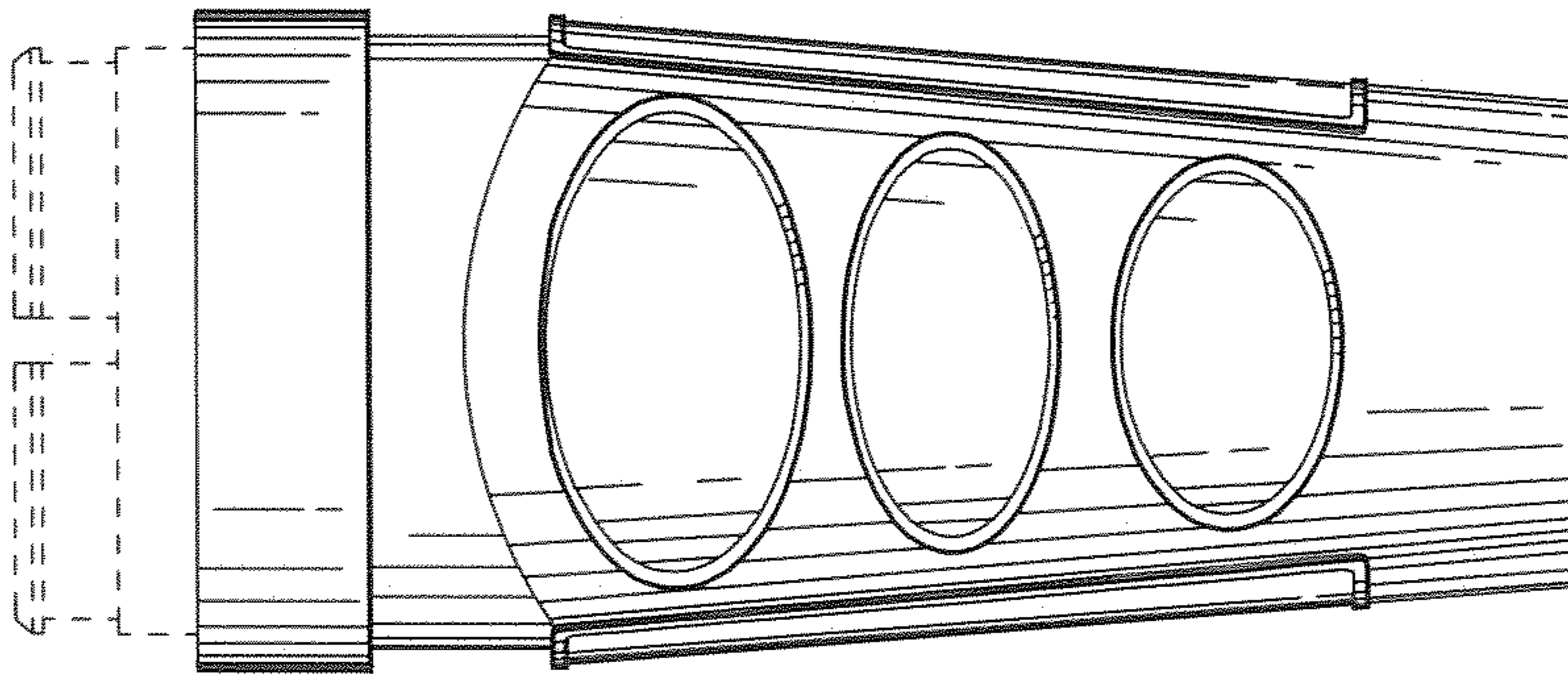


FIG. 3

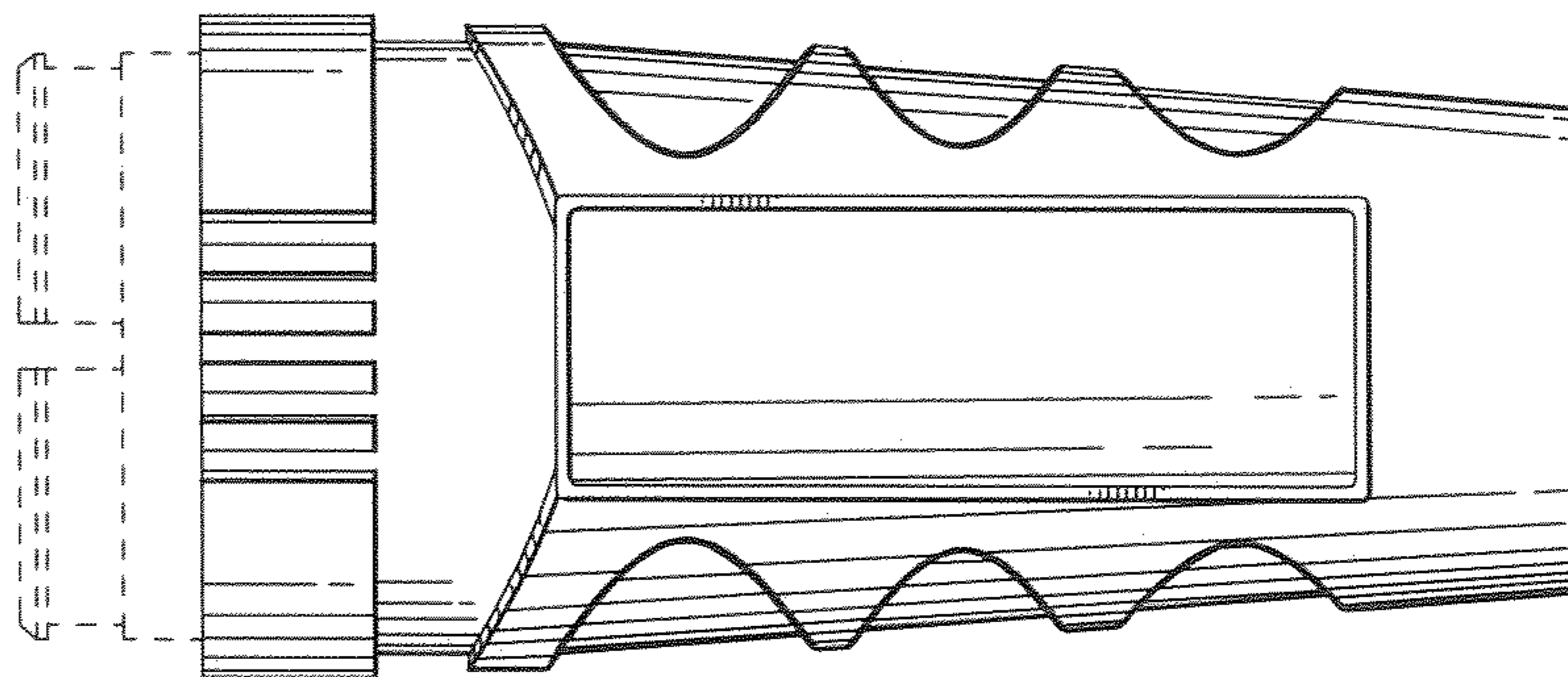


FIG. 4

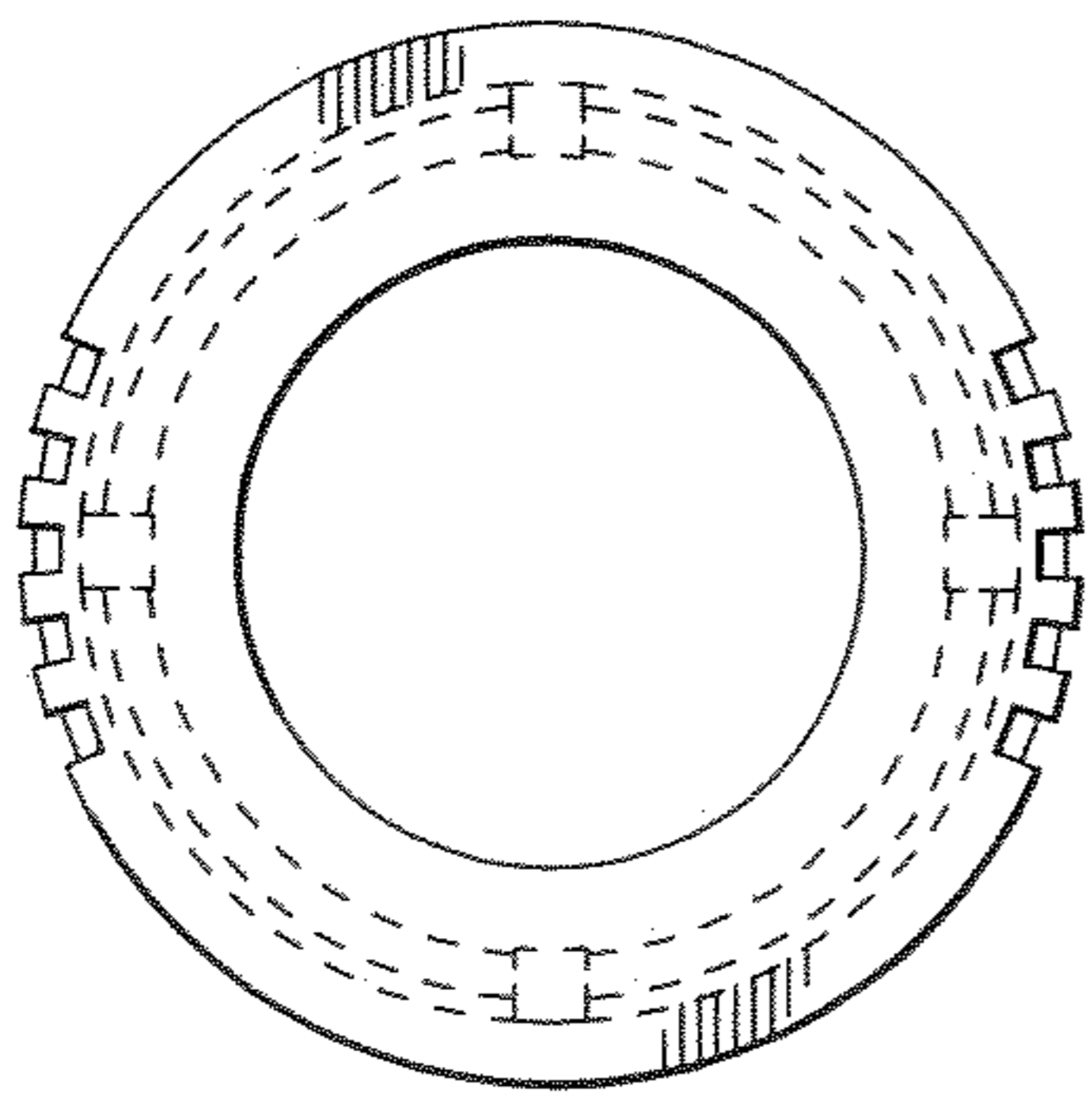


FIG. 5

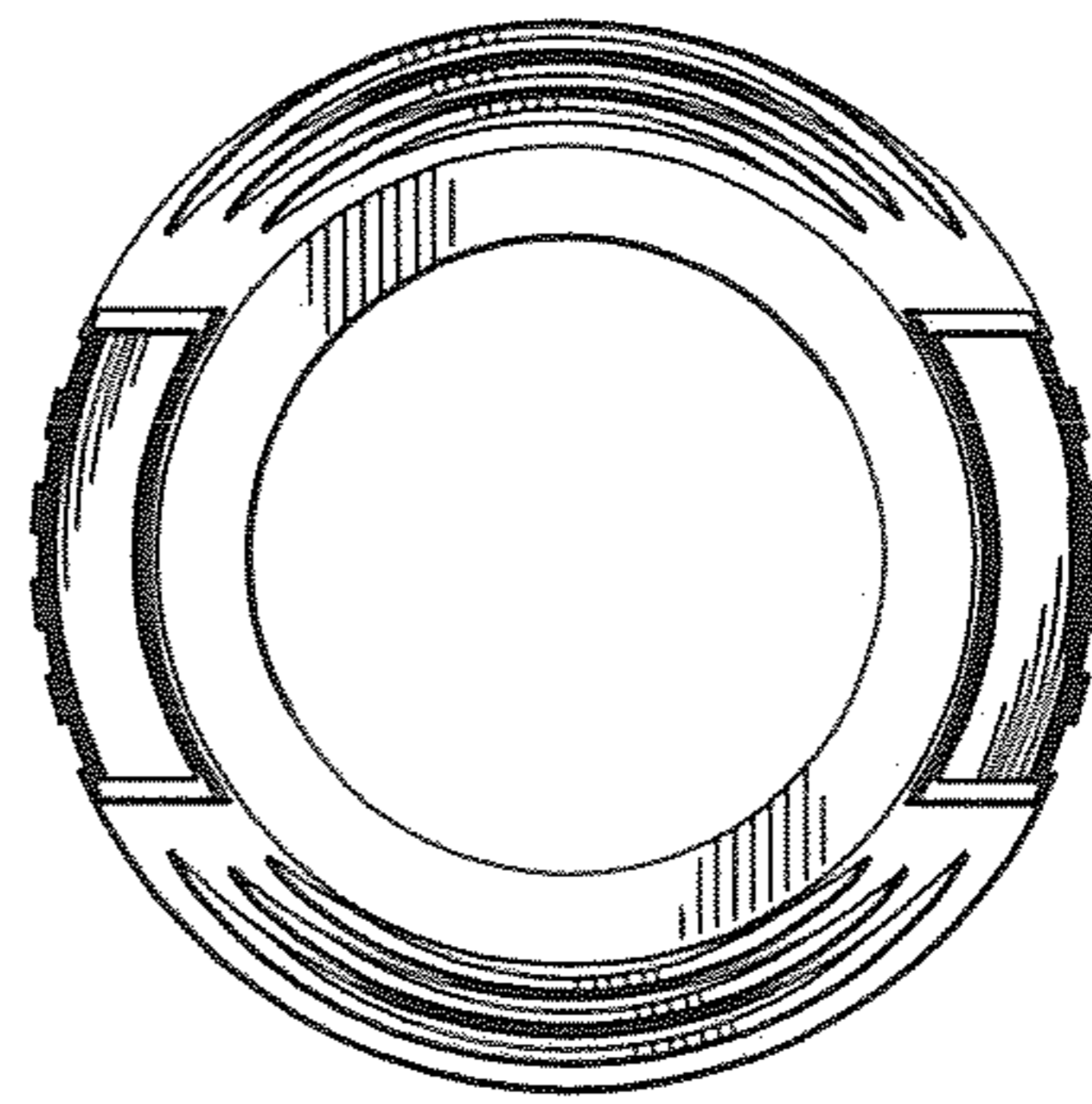


FIG. 6

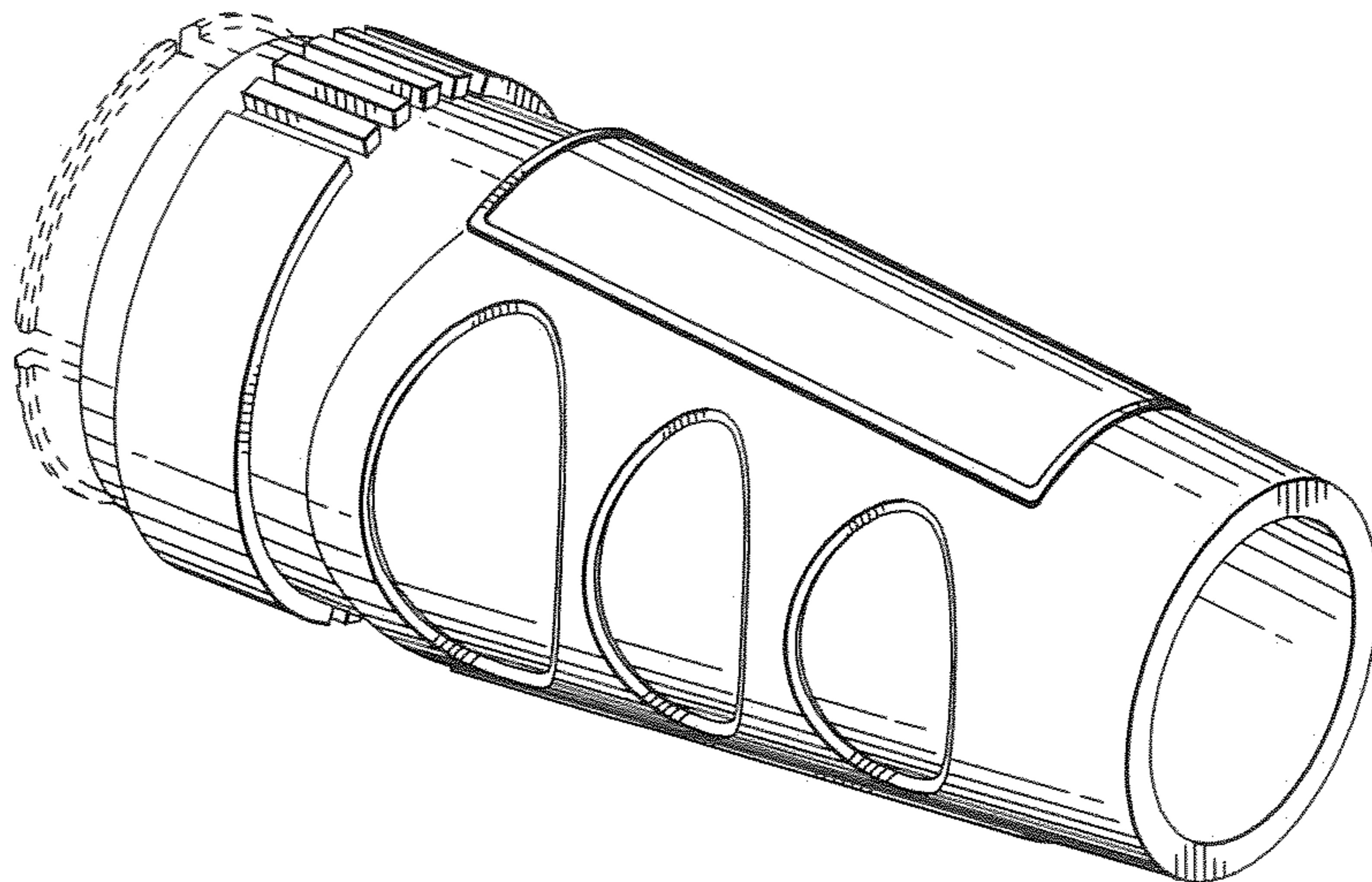


FIG. 7

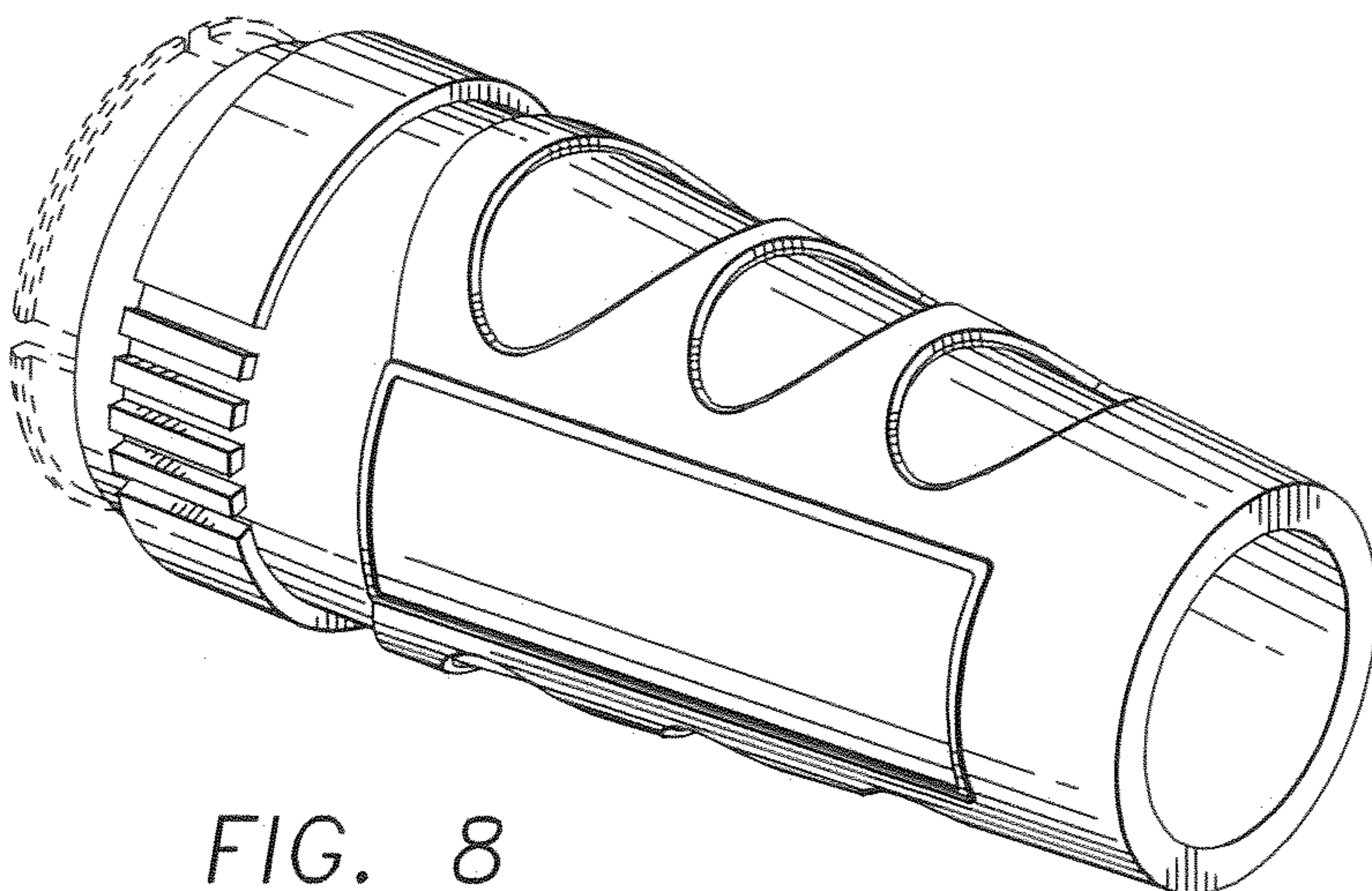


FIG. 8