



US00D898880S

(12) **United States Design Patent** (10) **Patent No.:** **US D898,880 S**
Horning et al. (45) **Date of Patent:** **** Oct. 13, 2020**

(54) **PACKINGS, BRACE, AND MOUNT ASSEMBLY**

D589,333 S * 3/2009 Nakazato D8/382
D590,242 S 4/2009 Carter
D632,550 S 2/2011 Watanabe
D636,255 S 4/2011 Suzuki
D648,210 S 11/2011 Reynoso
(Continued)

(71) Applicant: **Graco Minnesota Inc.**, Minneapolis, MN (US)

(72) Inventors: **Jeromy D. Horning**, Albertville, MN (US); **August F. Legatt**, Maple Lake, MN (US); **William M. Blenkush**, Becker, MN (US)

FOREIGN PATENT DOCUMENTS

CN 304184103 A 6/2017
CN 304184105 A 6/2017
CN 304662355 A 6/2018

(73) Assignee: **Graco Minnesota Inc.**, Minneapolis, MN (US)

OTHER PUBLICATIONS

First Russian Office Action for RU Application No. 2019501766/49, dated Jun. 25, 2019, pp. 4

(**) Term: **15 Years**

(Continued)

(21) Appl. No.: **29/671,638**

(22) Filed: **Nov. 28, 2018**

Primary Examiner — Amy C Wierenga

(51) **LOC (12) Cl.** **23-01**

(74) *Attorney, Agent, or Firm* — Kinney & Lange, P. A.

(52) **U.S. Cl.**
USPC **D23/265**; D8/394; D23/259

(57) **CLAIM**

(58) **Field of Classification Search**
USPC D23/259–260, 262, 264–266, 249; D15/126, 138–139, 143; D8/382, 387, D8/72–73, 385–386, 394–397; 251/143, 251/146–148; 285/148.2, 328, 921; 411/508–510
CPC E21B 43/116; E21B 17/117
See application file for complete search history.

The ornamental design for a packings, brace, and mount assembly, as shown and described.

DESCRIPTION

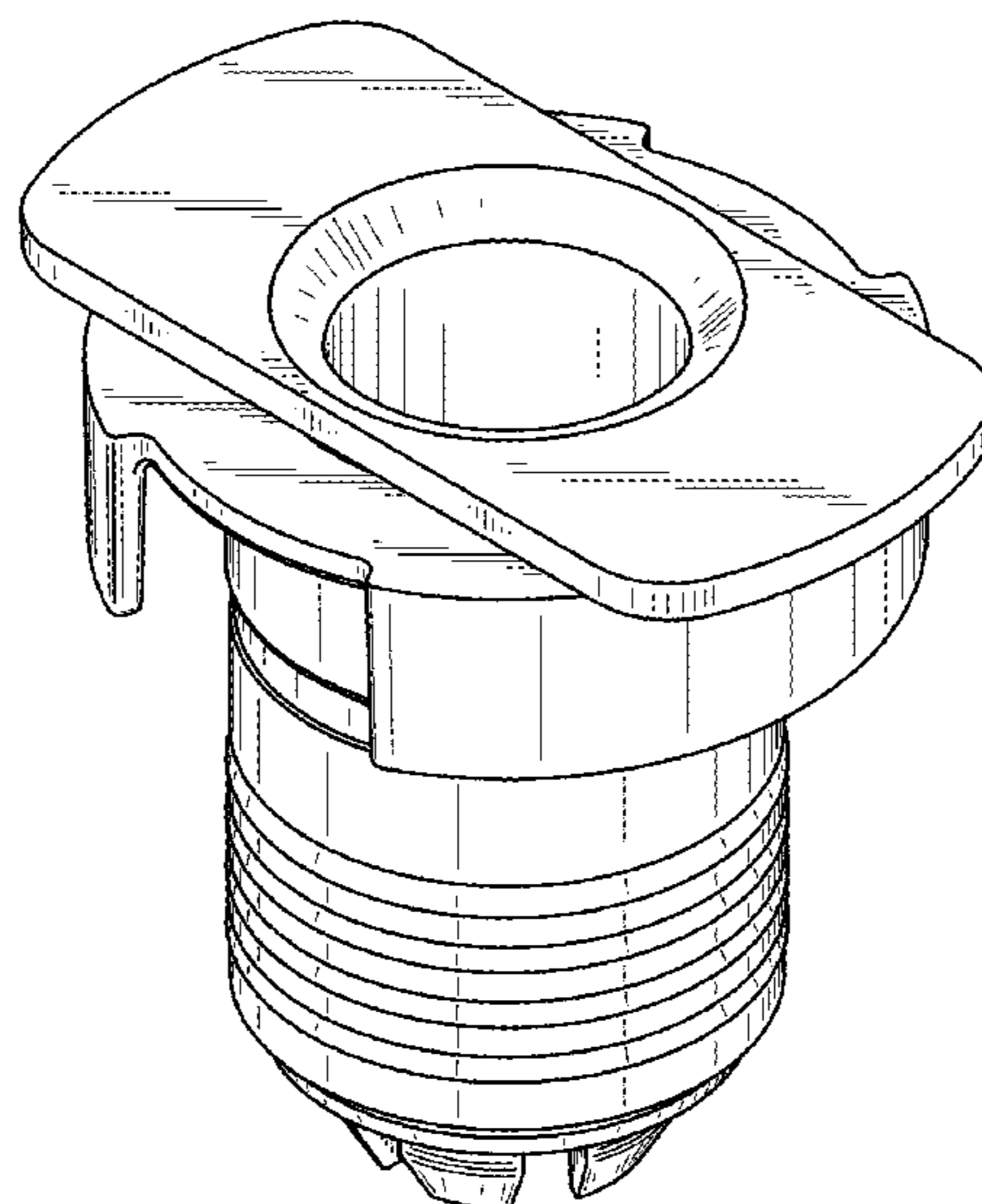
(56) **References Cited**

U.S. PATENT DOCUMENTS

D246,855 S * 1/1978 Treloar D23/262
D264,429 S * 5/1982 Foscarini D8/385
D268,894 S * 5/1983 Wollar D8/385
4,429,906 A 2/1984 Spadotto et al.
D356,320 S * 3/1995 Catalanotti D15/135
D359,797 S * 6/1995 Saito D23/262
D456,699 S * 5/2002 Nakanishi D8/382
D498,414 S * 11/2004 Yoneoka D8/382
D536,956 S 2/2007 Huang

FIG. 1 is a perspective view showing a packings, brace, and mount assembly;
FIG. 2 is a right side view of a packings, brace, and mount assembly;
FIG. 3 is a left side view of a packings, brace, and mount assembly;
FIG. 4 is a front elevational view of a packings, brace, and mount assembly;
FIG. 5 is a rear elevational view of a packings, brace, and mount assembly;
FIG. 6 is a top plan view of a packings, brace, and mount assembly; and,
FIG. 7 is a bottom plan view of a packings, brace, and mount assembly.

1 Claim, 7 Drawing Sheets



(56)

References Cited

U.S. PATENT DOCUMENTS

D666,900 S 9/2012 Ogino et al.
D673,841 S * 1/2013 Hirano D8/382
D675,508 S 2/2013 Hirano
D689,590 S 9/2013 Brose
8,800,962 B2 * 8/2014 Ritter E03C 1/0403
251/148
D752,963 S 4/2016 Kaupp
D770,598 S * 11/2016 Steele D23/262
9,494,021 B2 * 11/2016 Parks E21B 43/117
D835,756 S * 12/2018 Auxter D23/249
D878,520 S 3/2020 Auxter et al.
2019/0330947 A1 10/2019 Mulhern et al.

OTHER PUBLICATIONS

First Brazilian Office Action for BR Application No. BR302019002238-9, dated May 24, 2019, pp. 3.
First Taiwan Office Action for TW Application No. 108302551, dated Sep. 11, 2019, pp. 3.
ROC (Taiwan) Search Report for TW Application No. 108307254, dated Apr. 20, 2020, pp. 5.
Search Report for ROC (Taiwan) Application No. 108305551, dated Dec. 5, 2019, pp. 5.
Search Report for ROC (Taiwan) Application No. 108305551, dated Dec. 13, 2019, pp. 5.

* cited by examiner

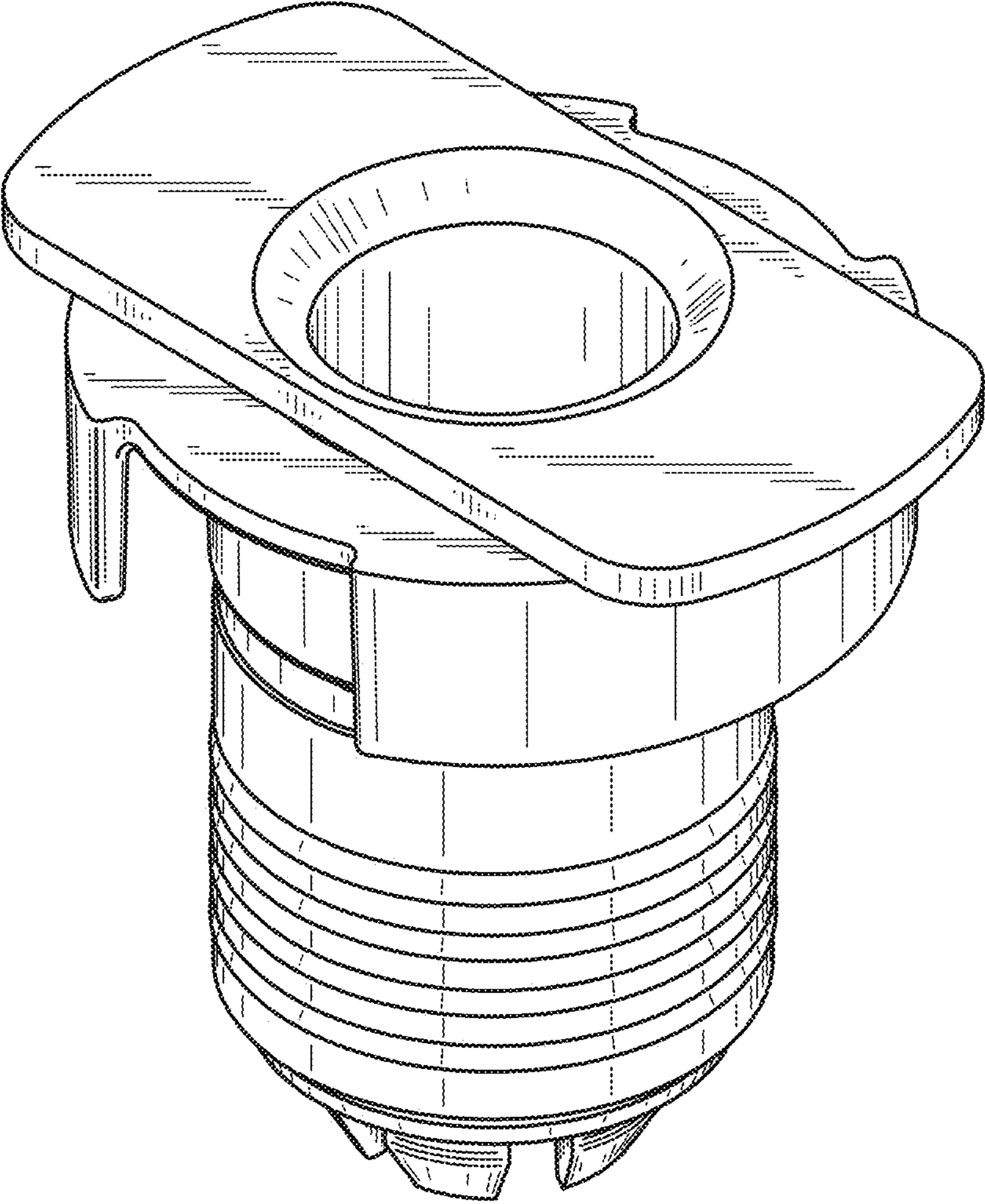


Fig. 1

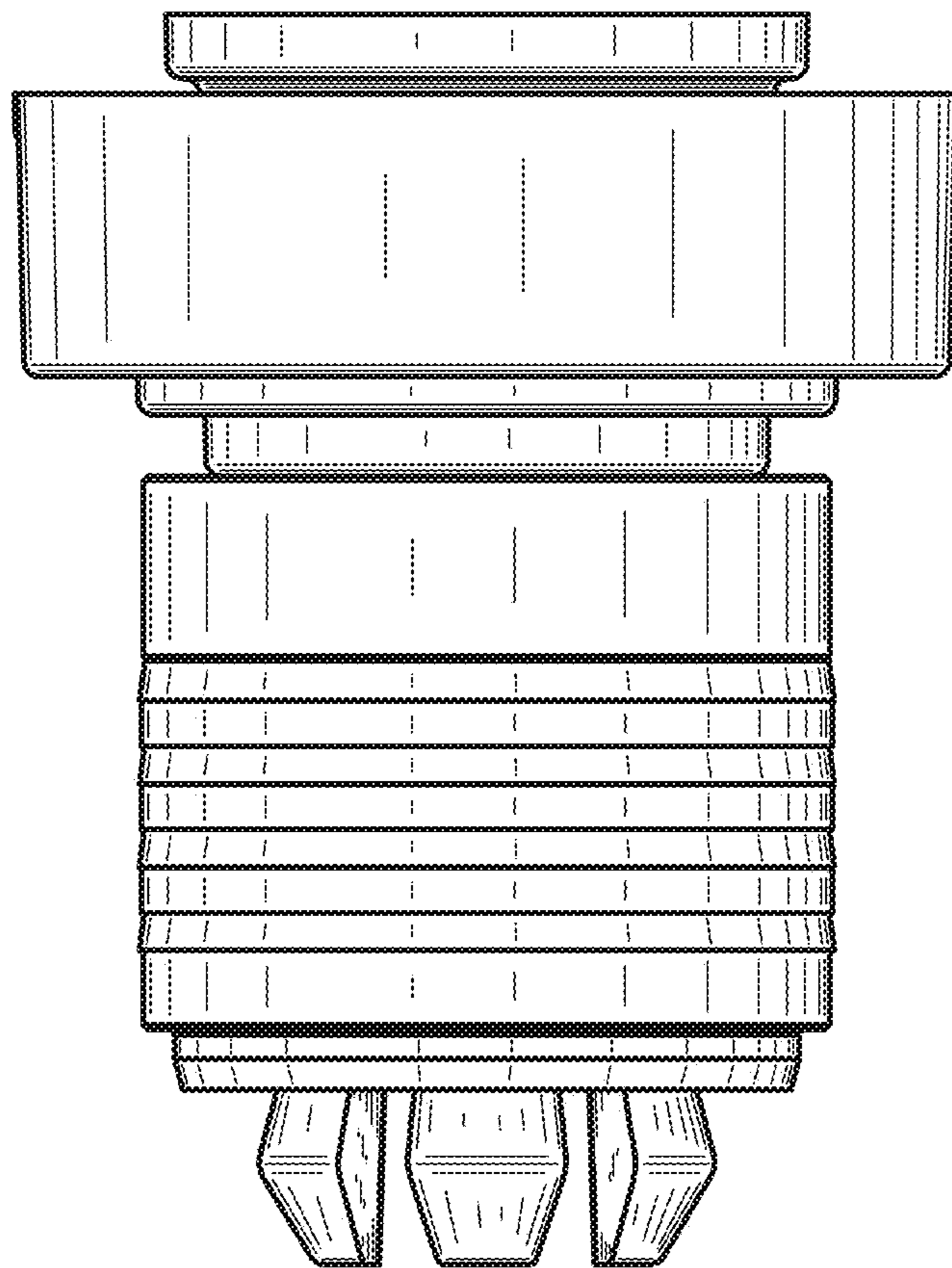


Fig. 2

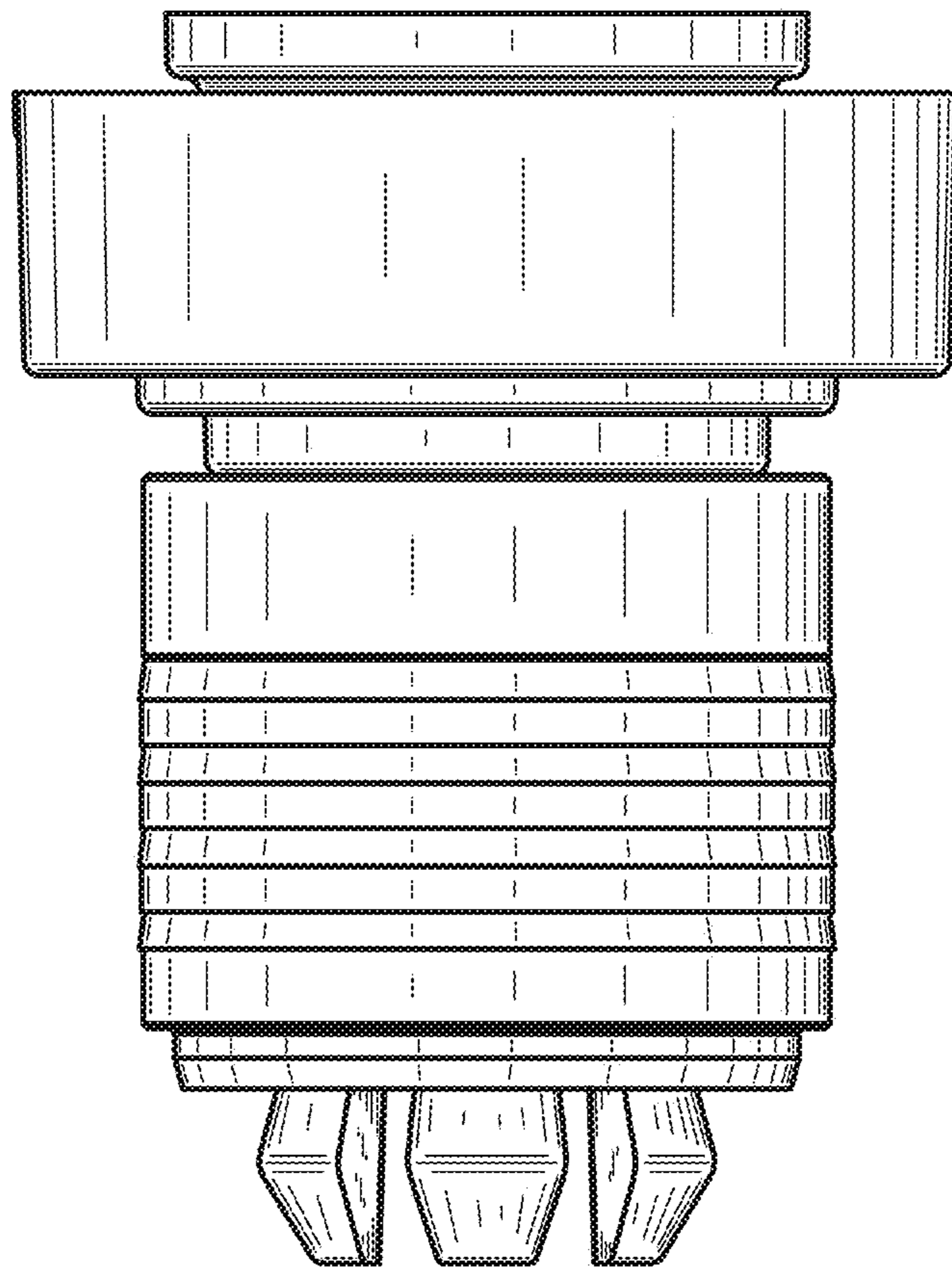


Fig. 3

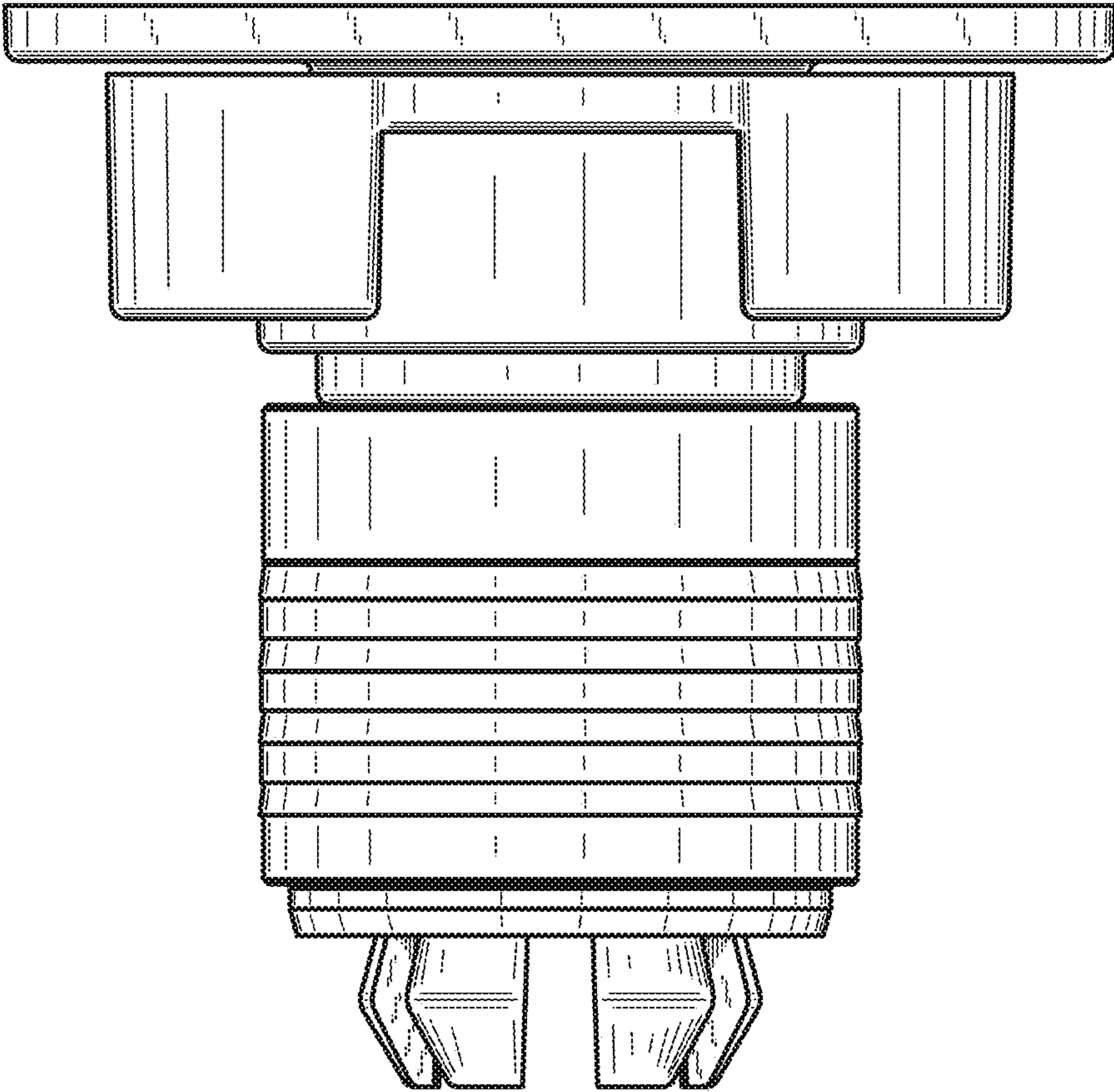


Fig. 4

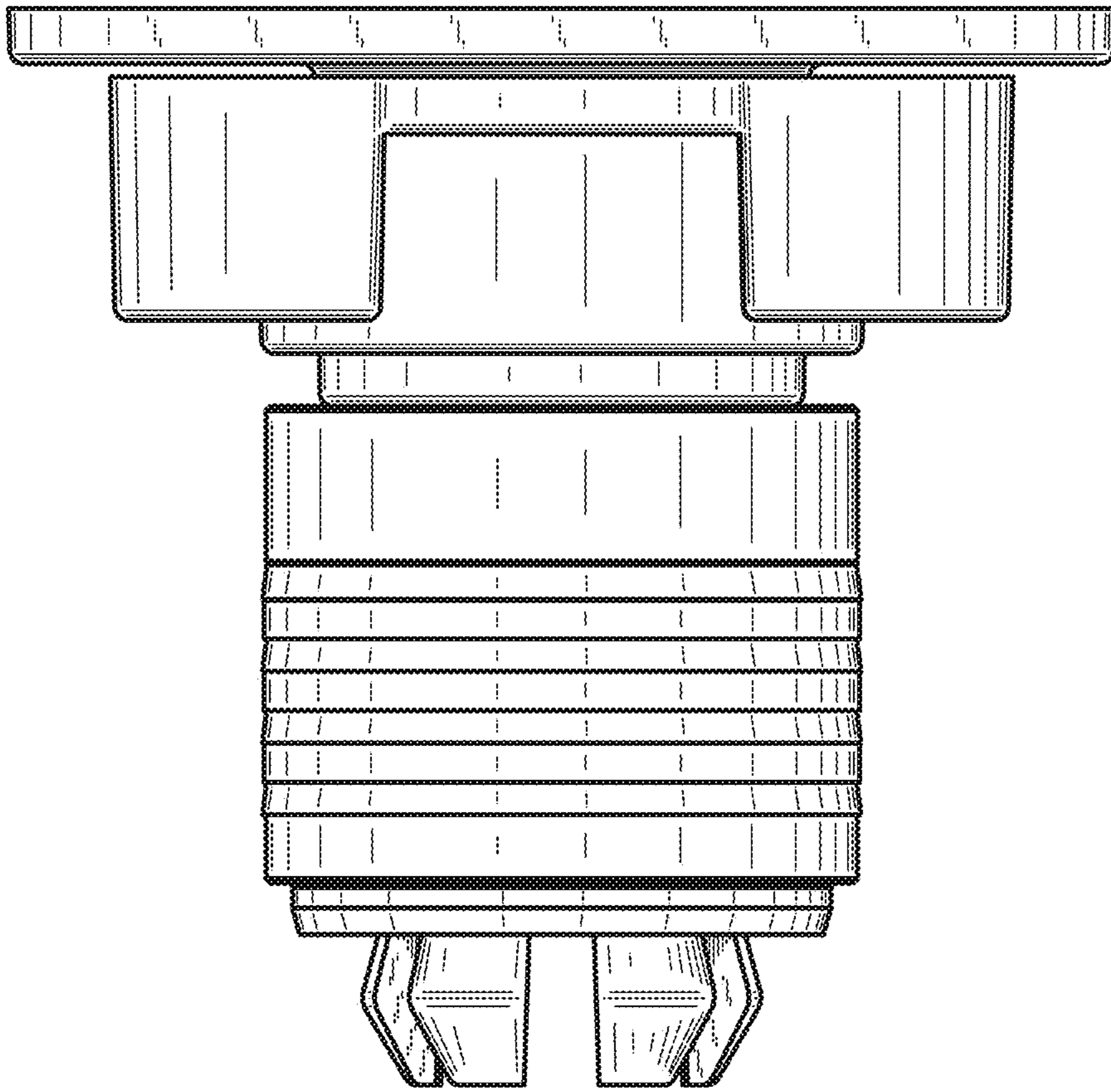


Fig. 5

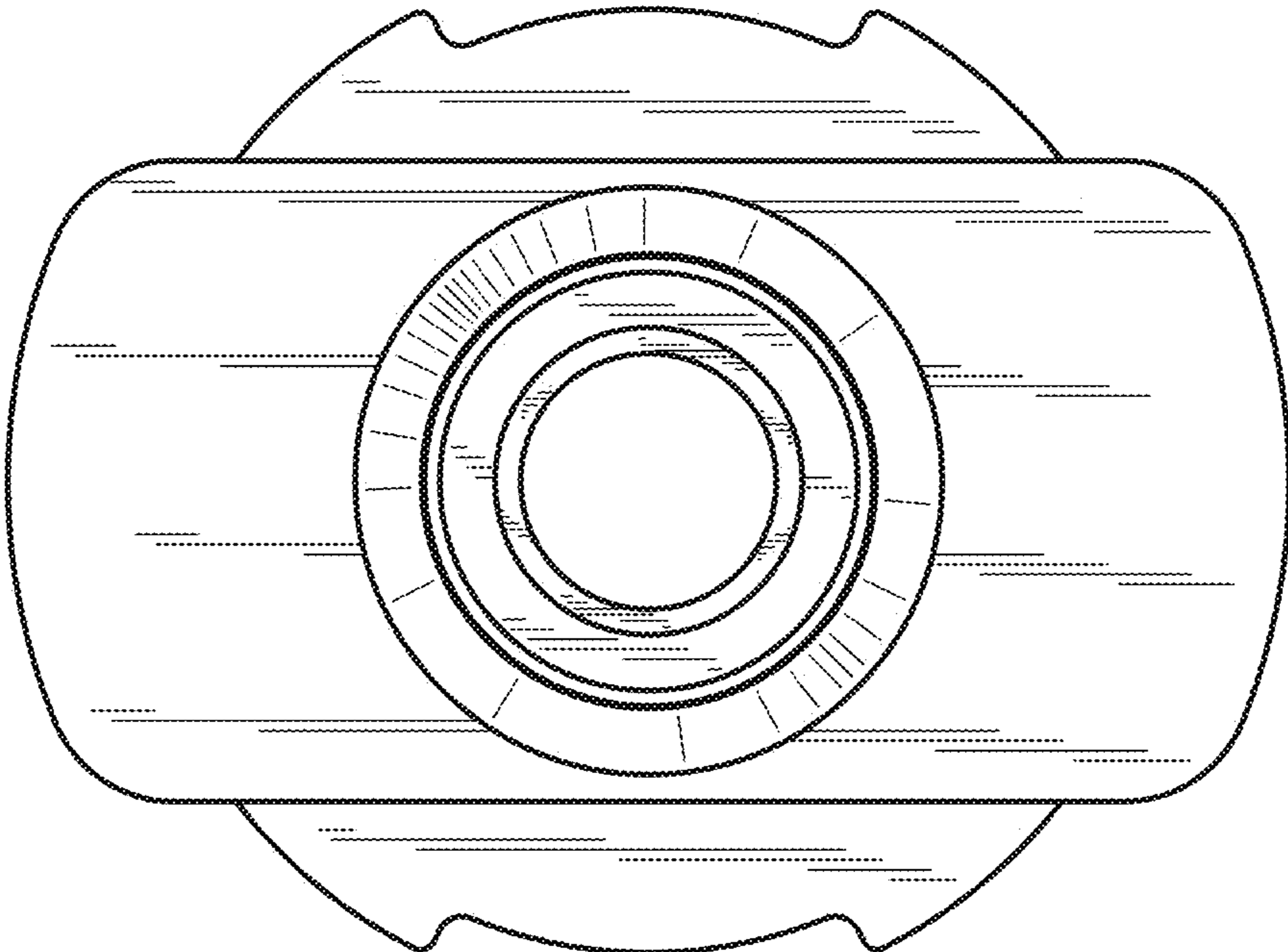


Fig. 6

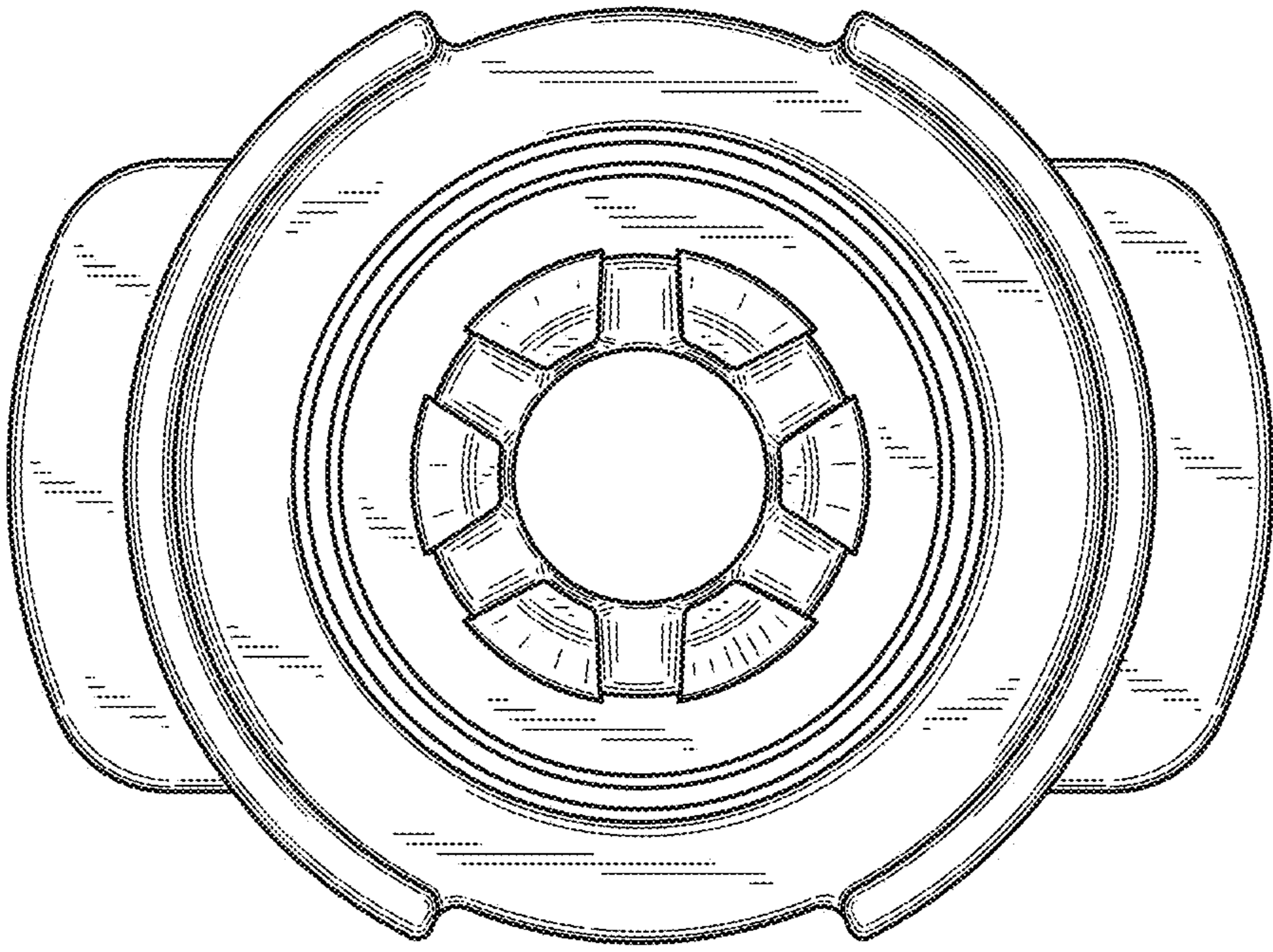


Fig. 7